

**POWER SPRAYERS**

# **PS7560XL & PS9910**



## **OPERATIONS & PARTS MANUAL**

Manual Part #: 038479 | Revision: J

*(Note - The Push/Pull Carts are sold separately; Barrel not included)*

Language: English | Original Instructions



## NOTICE

This manual, or a copy of it, must be kept with the machine at all times.  
There is a manual storage container located on the machine for your convenience.

# CURING COMPOUND SPRAYERS

## OPERATIONS-PARTS MANUAL

---

This manual covers the products listed below:

<b>Part No.</b>	<b>Description</b>
029424	SPRAYER, 7560XL, 50' HOSE, 300 PSI (HONDA GX120)
029424-100	SPRAYER, 7560XL, 100' HOSE, 300 PSI (HONDA GX120)
033692	SPRAYER, 7560XL, 3-Piece Wand, 50' HOSE, 300 PSI (HONDA GX120)
033692-100	SPRAYER, 7560XL, 3-Piece Wand, 100' HOSE, 300 PSI (HONDA GX120)
040197	SPRAYER, 9910, 50' HOSE, 300 PSI (HONDA GX160)
040198	SPRAYER, 9910, 100' HOSE, 300 PSI (HONDA GX160)
040199	SPRAYER, 9910, 3-Piece Wand, 50' HOSE, 300 PSI (HONDA GX160)
040200	SPRAYER, 9910, 3-Piece Wand, 100' HOSE, 300 PSI (HONDA GX160)
077891	SPRAYER, 7560XL, 50' HOSE, 300 PSI (HONDA GX160)
077891-100	SPRAYER, 7560XL, 100' HOSE, 300 PSI (HONDA GX160)
077892	SPRAYER, 7560XL, 3-Piece Wand, 50' HOSE, 300 PSI (HONDA GX160)
077892-100	SPRAYER, 7560XL, 3-Piece Wand, 100' HOSE, 300 PSI (HONDA GX160)

# Table of Contents

Sect No.	Title	Page
	<b>Table of Contents</b> .....	<b>4</b>
	Limited Warranty .....	6
	Information Contained In This Manual.....	7
	Dealer Information.....	8
	Ordering Parts .....	9
	Model Number - Serial Number Codes .....	10
	Unit Identification.....	11
	Technical Specifications .....	12
	Machine Dimension Specifications .....	13
	Engine Specifications .....	14
<b>1</b>	<b>SAFETY</b> .....	<b>16</b>
	State / Federal Warning Regulations.....	17
	1.1 - General Safety Precautions .....	19
	1.2 - Spark Arrestor Notice.....	20
	1.3 - General Safety .....	21
	1.4 - Engine Safety.....	24
	1.5 - Operating Safety .....	25
<b>2</b>	<b>OPERATIONS</b> .....	<b>26</b>
	2.1 - Sprayer Assembly.....	27
	2.2 - Diaphragm Pump Operation and Maintenance (9910 D30).....	29
<b>3</b>	<b>SERVICE</b> .....	<b>30</b>
	3.1 - Periodic Maintenance .....	31

## Table of Contents, continued

Sect No.	Title	Page
4	<b>PARTS</b> .....	<b>32</b>
	Factory Service Information .....	33
	Replacement Part Procedures.....	34
	4.2 - Model 7560 & 7560XL Assembly, Illustration & Parts List.....	35
	4.3 - Model 9910 Assembly, Illustration & Parts List .....	37
	4.4 - Model 51-C Push Cart Assembly, Illustration & Parts List .....	39
	4.5 - Model 61-T Tow Cart Assembly, Illustration.....	41
	4.7 - Model 7560 Pump Assembly, Illustration .....	43
	4.8 - Model 9910 Pump Assembly, Illustration (9910-D30GRGI).....	45
	4.9 - Model 9910 Pump Gearbox, Illustration & Parts List (9910-D30GRGI) .....	48
	4.10 - Model 9910 Pump Control Kit Assembly, Illustration & Parts List .....	49
	4.11 - 3-Piece Spray Wand Assembly, Illustration & Parts List .....	50
	4.12 - Spray Wand Assembly, Illustration .....	51
	4.13 - 7560 Sprayer Eng (Honda) Service Parts, for GX120 .....	53
	4.14 - 9910 Sprayer Eng (Honda) Service Parts, for GX160 .....	54
	4.15 - Decals, 7560XL (Kit #: 068430) .....	55
	4.16 - Decals, 9910 (Kit #: 068445).....	56
	4.17 - Decals, Tow/Push Cart (Kit #: 068425) .....	57
	Revision Detail.....	59

# Limited Warranty

## I. LIMITED WARRANTY & LIMITATION OF LIABILITY

**Allen Engineering Corporation (“Allen”) warrants its products to be free of defects in material or workmanship for: TWO YEARS FROM END USER’S DATE OF PURCHASE, SUBJECT TO THE EXCEPTIONS AND SHORTER WARRANTY PERIODS DESCRIBED HEREIN.**



**The warranty period begins on the date of purchase by the End User of the product. All warranty is based on the following limited warranty terms and conditions, including the disclaimer of all implied warranties of any type and the disclaimer of consequential damages.**

1. Allen’s obligation and liability under this warranty are limited to repairing or replacing parts if, after Allen’s inspection, there is determined to be a defect in material or workmanship. Allen reserves the choice to repair or replace.
2. All warranty-related parts must be purchased in advance through an Allen dealer. The parts will be made available to the Allen Distributor, Dealer, or Rental Center from whom the End User purchased the product.  
For machines being prepared, a warranty request form and/ or RGA request form must be submitted to AEC after the repairs are completed.
3. Replacement warranty parts, installed in the product, are warranted only for the remainder of the warranty period of the product as though they were the original parts.
4. BATTERY POWERED PRODUCTS ARE WARRANTED FOR ONE YEAR FROM END USER’S DATE OF PURCHASE.
5. Allen does not warranty engines or batteries. Engine warranty claims should be made directly to an authorized factory service center for the particular engine manufacturer. Batteries are not warranted due to unknown treatment during transport, etc., and any battery claims should be directed to the battery manufacturer.
6. Allen’s warranty does not cover the normal maintenance of products or their components(such as engine tune-ups and oil & filter changes). The warranty also does not cover normal wear and tear items(such as belts, tires, blades, pans and other consumables).
7. Hydraulic Component’s are required to be maintained per Allen’s mandatory service intervals in each machines owners manual. OEM Allen hydraulic filters and consumables are required to service machines during the warranty period. Failure to use OEM Allen hydraulic filters will result in denied warranty.
8. Allen’s warranty will be void if it is determined that the defect resulted from operator abuse, failure to perform normal maintenance on the product, modification to product, alterations, or repairs made to the product without the written approval of Allen. Allen specifically excludes from warranty any damage to any trowels resulting from a drop or impact to the rotors.
9. Impact damage to gearboxes is not covered under the Allen warranty and is deemed customer abuse.
10. Impact damage to trowels in any way is not covered under the Allen Warranty and is deemed customer abuse. ( Example: Dropping a machine)
11. Allen will pay shop labor on warranty items at the Allen Shop Labor Rate in existence on the date of the warranty claim. An Allen labor chart will determine the time allowed to complete a repair and will govern the shop labor hours that will be allowed.
12. Allen will credit the cost of ground freight on warranty replacement parts after approval of the warranty claim. No warranty replacement parts will be shipped air-freight at the expense of Allen. Allen does not pay any inbound freight.
13. ALLEN ENGINEERING CORPORATION’S WARRANTY POLICY WILL NOT COVER THE FOLLOWING: TAXES; SHOP SUPPLIES; ENVIRONMENTAL SURCHARGES; AIR FREIGHT; TRAVEL TIME;LOSS OF TIME;INCONVENIENCE;LOSS OF RENTAL REVENUE; RENTAL COSTS OF EQUIPMENT USED TO REPLACE THE PRODUCT BEING REPAIRED;LOSS OF USE OF THE PRODUCT; COMMERCIAL LOSS; OR ANY OTHER CHARGES WHATSOEVER OR ANY LIABILITIES FOR DIRECT, INCIDENTAL, OR CONSEQUENTIAL DAMAGE OR DELAY.
14. ALLEN ENGINEERING CORPORATION MAKES NO OTHER WARRANTY, EXPRESSED OR IMPLIED. THIS LIMITED WARRANTY IS IN LIEU OF THE WARRANTY OF MERCHANTABILITY AND FITNESS. THERE ARE NO OTHER WARRANTIES THAT EXTEND BEYOND THE DESCRIPTION ON THIS DOCUMENT.
15. No Allen employee or representative is authorized to change this warranty in any way or grant any other warranty unless such change is made in writing and signed by an officer of Allen Engineering Corporation.
16. Warranty claims must be submitted within 30 days from the date of failure.
17. Once a warranty claim has been submitted, AEC has up to 90 business days to process the request.
18. Standard service part warranty will not exceed 90 days from the date of purchase. Exceptions to this are:  
#1 Gearboxes: 1year warranty from date of purchase.  
#2 Electrical Components: 30 day warranty from date of purchase. This applies to wiring harnesses, transmitters, ECUs, display screens, and toggle switches.
19. All purchased components are subject to the inspection and warranty of the respective manufacturer. This inspection may extend beyond 90 days.
20. If warranty is suspected do not disassemble any hydraulic or electrical components. Failure to comply with this instruction will lead to denial of a warranty claim.

## Information Contained In This Manual



This manual provides information and procedures to safely operate and maintain the Allen Machine.

For your own safety and protection from personal injury, carefully read, understand, and observe the safety instructions described in this manual. Keep this manual or a copy of it with the machine at all times.

ALWAYS operate this machine in accordance with the instructions described in this manual. A well maintained piece of equipment will provide many years of trouble free operation.

This manual is divided into the following sections:

**SECTION 1  
SAFETY**

**SECTION 2  
OPERATIONS**

**SECTION 3  
SERVICE**

**SECTION 4  
PARTS**

---

Complete any warranty requirements as specified by the engine manufacturer in their instructions found inside the manual box located on the back of the riding trowel operator's seat.

Your engine and clutch is not manufactured by Allen Engineering Corporation, Inc, and therefore is not covered under Allen Engineering Corporation, Inc warranty.

Your engine manufacturer should be contacted if you wish to purchase a parts manual or a repair manual for your engine.

Refer to enclosed owners engine manual for complete O&M instructions. See your battery manufacturer for battery warranty.

## Dealer Information

Your Dealer has Allen Engineering Corporation trained mechanics and original Allen replacement parts. Always contact the Allen Dealer who sold you this machine for Allen Certified repairs and replacement parts.

Place Allen Dealer information below for future reference.

**Dealer Name:** \_\_\_\_\_

**Phone #:** (\_\_\_\_) - \_\_\_\_ - \_\_\_\_\_

**Address:** \_\_\_\_\_

**City:** \_\_\_\_\_ **State:** \_\_\_\_\_ **Zip:** \_\_\_\_\_

**Salesman:** \_\_\_\_\_ **Mobile Phone** \_\_\_\_\_

**Additional Comments:** \_\_\_\_\_

\_\_\_\_\_

\_\_\_\_\_

\_\_\_\_\_

## Ordering Parts

Section 4.0 contains illustrated parts lists for help in ordering replacement parts for your machine. Follow the instructions below when ordering parts to insure prompt and accurate delivery:

1. All orders for service parts - include the serial number for the machine. Shipment will be delayed if this information is not available.
2. Include correct description and part number from the "PARTS" section of this manual.
3. Specify exact shipping instructions, including the preferred routing and complete destination address.
4. **DO NOT** return parts to AEC without receiving written authorization from AEC. All authorized returns must be shipped pre-paid.
5. When placing an order, please contact the AEC dealer nearest you.



ALL INFORMATION, SPECIFICATIONS, AND ILLUSTRATIONS IN THIS MANUAL ARE  
SUBJECT TO CHANGE WITHOUT NOTICE AND ARE BASED ON THE LATEST  
INFORMATION AT THE TIME OF PUBLICATION.

# Model Number - Serial Number Codes

## Manufacturer's Codes:

When ordering parts or requesting service information, you will always be asked to specify the model and serial numbers of the machine. The legends below specifically defines each significant character or group of characters of the Model Number and Serial Number codes.

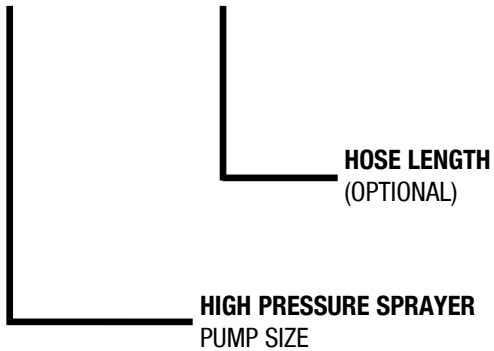
### Model Number

**6500 w/ 25' Hose**

**7560 w/ 25' Hose**

**7560XL w/ 25' Hose**

**9910 w/ 25' Hose**



### Serial Number

The serial number found on the identification plate is a ten digit format. The model number identifies your machine and will ensure that you receive the correct replacement parts.

**123456**



# Unit Identification

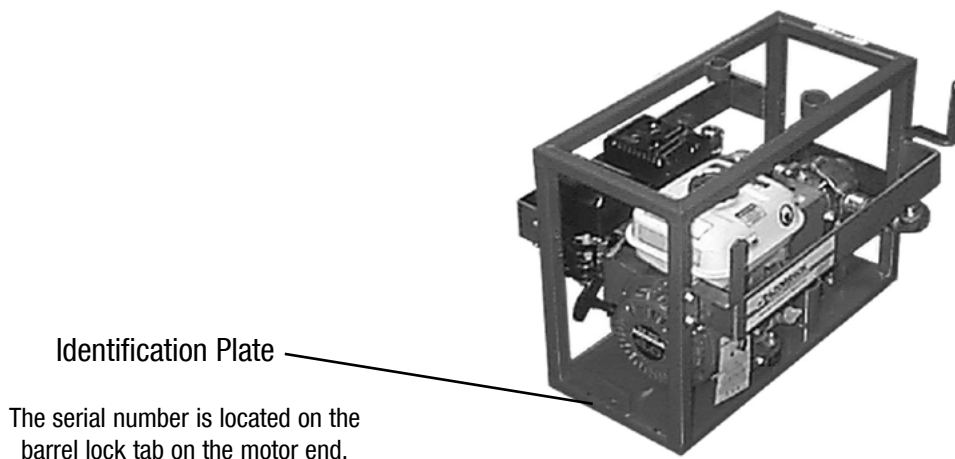
## Unit Identification Plate Location:

An identification plate listing the model number and the serial number is attached to each unit and is located on the rear lower left side of mainframe. Refer to Figure 1 for serial number and model number location. This plate should not be removed at any time.

Please record the information found on this plate below so it will be available should the identification plate become lost or damaged. When ordering parts or requesting service information, you will ALWAYS be asked to specify the model and serial numbers of the machine.

### FILL IN FOR FUTURE REFERENCE

<b>Model Number:</b>	_____
<b>Serial Number:</b>	_____
<b>Date Purchased:</b>	_____
<b>Purchased From:</b>	_____



**Figure 1**  
Serial Number Location

## Technical Specifications

MODEL	6500	7560	7560XL	9910
Length	24.5" (62.23cm)	24.5" (62.23cm)	24.5" (62.23cm)	24.5" (62.23cm)
Width	14.5" (36.83cm)	16.625" (42.23cm)	16.625" (42.23cm)	17.875" (45.41cm)
Height	12.75" (32.36 cm)	16.5" (41.91 cm)	16.5" (41.91 cm)	16.5" (41.91 cm)
Max. Flat Washerow Rate	5 gpm (17L)	7.5 gpm (27L)	7.5 gpm (27L)	15 gpm (56L)
Max. Pressure	300 psi (20.7 B)	300 psi (20.7 B)	300 psi (20.7 B)	300 psi (20.7 B)
Max. RPM	600 RPM	600 RPM	600 RPM	600 RPM
Continuous Operation	100 psi (6.9 B)	100 psi (6.9 B)	100 psi (6.9 B)	100 psi (6.9 B)
Intermittent Operation	300 psi (20.7 B)	300 psi (20.7 B)	300 psi (20.7 B)	300 psi (20.7 B)
Weight	80 lb (36.29 kg)	111 lb (50.35 kg)	111 lb (50.35 kg)	125 lb (56.7 kg)

ENGINE OPTIONS:	6500	7560	7560XL	9910
	4.0 Honda (GX120)	4.0 Honda (GX120)	4.0 Honda (GX120)	5.5 Honda (GX 160) 5.5 Kaw (FE 170)

# Machine Dimension Specifications

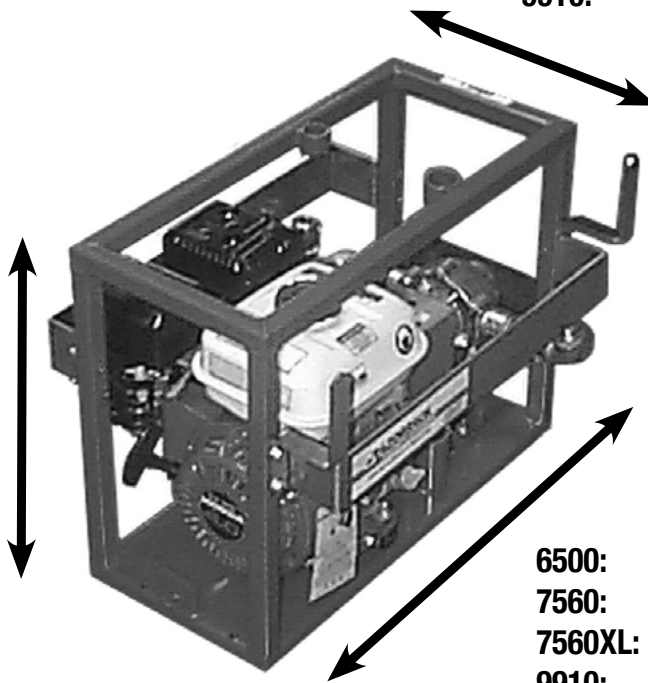
6500:	14 1/2"	36.83 cm
7560:	16 5/8"	42.23 cm
7560XL:	16 5/8"	42.23 cm
9910:	17 7/8"	45.41 cm

6500: 12 3/4"  
32.25 cm

7560: 16 1/2"  
41.91 cm

7560XL: 16 1/2"  
41.91 cm

9910: 16 1/2"  
41.91 cm



6500:	24 1/2"	62.23 cm
7560:	24 1/2"	62.23 cm
7560XL:	24 1/2"	62.23 cm
9910:	24 1/2"	62.23 cm

## Engine Specifications

### Honda GX120 Engine Information

Horsepower [kW]	3.5 [2.6]
Class: Air Cooled Overhead Cam Chain Drive	Gasoline Engine
Shaft:	Horizontal
Cylinders:	1
Displacement [cc]:	118
Fuel:	Gasoline
Max Speed [RPM]:	3600
Peak Torque (ft.lb.) [@2500 RPM]	5.4
Bore x Stroke [mm]:	60 X 42
Compression Ratio:	8.5:1
Starter:	Recoil
Dry Weight lbs [kg]:	29.0 [13.0]
Length inches:	11.7
Width inches:	13.6
Height inches:	13.0
Fuel Capacity US Gallons [ltrs]:	2.1 [2.0]
Lube Type:	SAE 10W-30(40), 20W-40(50)
Oil Capacity US Quarts [ltrs]:	0.59 [0.56]
Air Cleaner:	Dual Element
Muffler [type]:	Standard
Ignition System:	Transistorized Magneto
Lube System:	Splash
Emission Rating:	EPA / Carb
Color:	Red
Fuel System:	Gravity



## Engine Specifications, continued

### Honda GX160 Engine Information

Horsepower [kW]	4.8 [3.6]
Class: Air Cooled Overhead Cam Chain Drive	Gasoline Engine
Shaft:	Horizontal
Cylinders:	1
Displacement [cc]:	163
Fuel:	Gasoline
Max Speed [RPM]:	3600
Peak Torque (ft.lb.) [@2500 RPM]	7.6
Bore x Stroke [mm]:	68 X 45
Compression Ratio:	9.0:1
Starter:	Recoil
Dry Weight lbs [kg]:	33.0 [15.1]
Length inches:	12.2
Width inches:	14.3
Height inches:	13.6
Fuel Capacity US Gallons [ltrs]:	3.3 [3.1]
Lube Type:	SAE 10W-30(40), 20W-40(50)
Oil Capacity US Quarts [ltrs]:	0.61 [0.58]
Air Cleaner:	Dual Element
Muffler [type]:	Standard
Ignition System:	Transistorized Magneto
Lube System:	Splash
Emission Rating:	EPA / Carb
Color:	Red
Fuel System:	Gravity



# **SECTION 1: SAFETY**



**RESPIRATORY HAZARDS**

Grinding/cutting/drilling of masonry, concrete, metal and other materials can generate dust, mists and fumes containing chemicals known to cause serious or fatal injury or illness, such as respiratory disease, cancer, birth defects or other reproductive harm.

**SILICOSIS WARNING**

Grinding/cutting/drilling of masonry, concrete, metal and other materials with silica in their composition may give off dust or mists containing crystalline silica.



**CALIFORNIA PROPOSITION 65 WARNING**

Gasoline engine exhaust from this product contains chemicals known to the State of California to cause cancer, birth defects and other reproductive harm.

**SECTION 1  
SAFETY**

**PAGE LEFT BLACK INTENTIONALLY**

### 1.1.1 Safety-Alert Signs

This manual contains Safety-Alert Signs, as defined below, which must be followed to reduce the possibility of improper service damage to the equipment or personal injury. Read and follow all Safety-Alert Signs included in this manual.



**NOTE** defines an operating procedure, condition, etc. which is essential to highlight that contains useful or important information.



**EMERGENCY** is used for the identification of safety equipment, first aid, or emergency egress locations.



**NOTICE** used to convey safety information on labels and signs.



**CAUTION** is indicative of a potentially hazardous situation which, if not avoided, may result in minor or moderate injury.



**WARNING** indicates potentially hazardous situations that could result in death or serious injury



**DANGER** indicates an imminently hazardous situation which, if not avoided, will result in death or serious injury.

**1.2.1 Laws Pertaining to Spark Arrestors**

Some states require that in certain locations arrestors be used on internal combustion engines. A spark arrester is a device designed to prevent the discharge of spark or flames from the engine exhaust. It is often required when operating equipment on forested land to prevent the risk of fires. Consult the engine distributor or local authorities and make sure that you comply with regulations regarding spark arrestors.



### CAUTION

- **NEVER** operate this equipment without proper protective clothing, safety glasses, respiratory protection, hearing protection, steel-toed boots and other protective devices required by the job or city and state regulations.



- Avoid wearing jewelry or loose fitting clothes that may get caught on the controls or moving parts as this can cause serious injury.

- **NEVER** operate this equipment when not feeling well due to fatigue, illness or when under medication.



- **NEVER** operate this equipment under the influence of drugs or alcohol.



- **ALWAYS** clear the work area of any debris, tools, etc. that would constitute a hazard while the equipment is in operation.
- No one other than the operator is to be in the working area when the equipment is in operation.
- **DO NOT** use the equipment for any purpose other than its intended purposes or applications.
- This equipment should only be operated by trained and qualified personnel 18 years of age and older.
- Whenever necessary, replace nameplate, operation and safety decals when they become difficult read.
- AEC does not assume responsibility for any accident due to equipment modifications. **Unauthorized equipment modification will void all warranties.**
- **NEVER** use accessories or attachments that are not recommended by AEC for this equipment. Damage to the equipment and/or injury to user may result.

# SECTION 1 SAFETY

## 1.3 - General Safety, continued

- **ALWAYS** know the location of the nearest fire extinguisher.



- **ALWAYS** know the location of the nearest first aid kit.



- **ALWAYS** know the location of the nearest phone or keep a phone on the job site. Also, know the phone numbers of the nearest ambulance, doctor and fire department. This information will be invaluable in the case of an emergency.



- Engine fuel exhaust gases contain very poisonous carbon monoxide. This gas is colorless and odorless, and can cause death if inhaled.
- The engine of this equipment requires an adequate free flow of cooling air. **NEVER** operate this equipment in any enclosed or narrow area where free flow of the air is restricted. If the air flow is restricted it will cause injury to people and property and serious damage to the equipment or engine.



- **NEVER** operate the equipment in an explosive atmosphere or near combustible materials. An explosion or fire could result causing severe bodily harm or even death.



- **ALWAYS** keep clear of rotating or moving parts while operating the trowel.



- **DO NOT** start or operate the trowel if the drive train will not disengage. Centrifugal force between the trowel and surface when starting can cause uncontrolled handle movement that can cause serious injury. The handle must not move while pulling the engine recoil starter.

- **NEVER** disconnect any emergency or safety devices. These devices are intended for operator safety. Disconnection of these devices can cause severe injury, bodily harm or even death. Disconnection of any of these devices will void all warranties.

### **CAUTION**

- **NEVER** stand on trowel during operation.
- **NEVER** lubricate components or attempt service on a running machine.
- **NEVER** place your feet or hands inside the guard rings while starting or operating this equipment.

### **NOTE**

- **ALWAYS** keep the machine in proper running condition.
- Fix damage to machine and replace any broken parts immediately.
- **ALWAYS** store equipment properly when it is not being used. Equipment should be stored in a clean, dry location out of the reach of children and unauthorized personnel.
- A safety manual for operating and maintenance personnel of concrete power trowels produced by the Association of Equipment Manufacturers (AEM) can be obtained for a fee by ordering through their website at **[www.aem.org](http://www.aem.org)**.

## SECTION 1 SAFETY

### 1.4 - Engine Safety

#### WARNING

- **DO NOT** place hands or fingers inside engine compartment when engine is running.
- **NEVER** operate the engine with heat shields or guards removed.
- Keep fingers, hands hair and clothing away from all moving parts to prevent injury.
- **DO NOT** remove the radiator cap while the engine is hot. High pressure boiling water will gush out of the radiator and severely scald any persons in the general area of the trowel.
- **DO NOT** remove the engine oil drain plug while the engine is hot. Hot oil will gush out of the oil tank and severely scald any persons in the general area of the trowel.



#### CAUTION

- **NEVER** touch the hot exhaust manifold, muffler or cylinder. Allow these parts to cool before servicing equipment.
- **NEVER** run engine without an air filter or with a dirty air filter. Severe engine damage may occur. Service air filter frequently to prevent engine malfunction.
- **NEVER** tamper with the factory settings of the engine or engine governor. Damage to the engine or equipment can result if operating in speed ranges above the maximum allowable.
- **ALWAYS** use extreme caution when working with flammable liquids.
- **DO NOT** start the engine near spilled fuel or combustible fluids. Fuel is extremely flammable and its vapors can cause an explosion if ignited.
- **ALWAYS** refuel in a well-ventilated area, away from sparks and open flames.
- **NEVER** use fuel as a cleaning agent.
- **DO NOT** smoke around or near the equipment. Fire or explosion could result from fuel vapors or if fuel is spilled on a hot engine.

Familiarity and proper training are required for the safe operation of this equipment! Equipment operated properly or by untrained personnel can be dangerous! Read the operating instructions contained in both this manual and the engine manual and familiarize yourself with the location and proper use of all controls.

### Safety Precautions

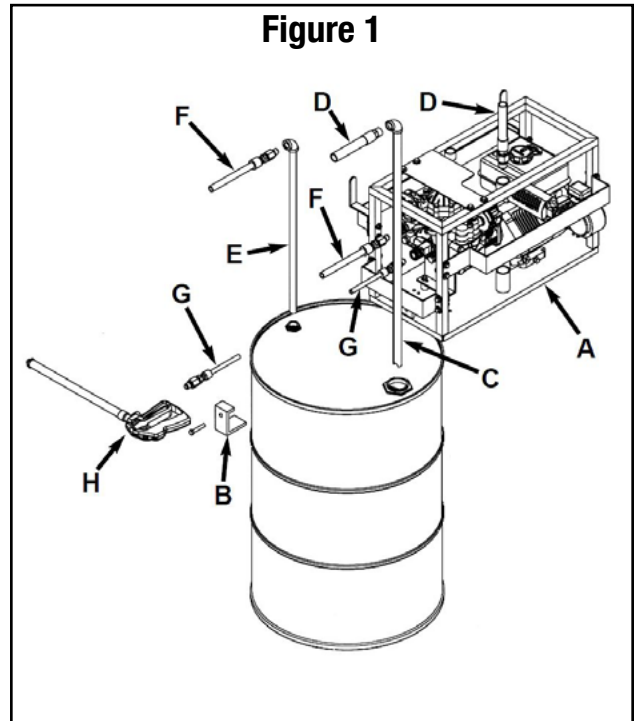
1. Read operating and safety instructions before using the High Pressure Sprayer. Operate the machine in accordance with the manufacturer's instructions.
2. Inspect your High Pressure Sprayer for damage or tampering that can sometimes occur during shipping.
3. If damage is found file a claim with your carrier immediately! Mark freight bill of lading as damaged shipment.
4. Do not operate High Pressure Sprayer if any guards have been removed
5. Only trained personnel should be allowed to operate your High Pressure Sprayer.
6. No foreign objects such as buckets, tools or materials should ever be attached to on the Sprayer during operation.
7. Do not attempt to fill fuel tank or oil sump while the engine is running. Allow engine to cool before refueling.
8. Do not use over the counter hardware to replace manufacturer's hardware.
9. **WARNING:** When operating machines with gas engines in confined areas. The fumes **MUST** be ventilated!
10. Always wear safety goggles, ear protection, and gloves when operating the High Pressure Sprayer.

**SECTION 2: OPERATIONS**

### 2.1.1 Assembly of Razorback® Power Sprayers to a barrel.

1. After you have uncrated all components received, place the sprayer (A) on top of the barrel. Using the barrel locks (B) supplied, fasten the sprayer to the barrel.
2. Take the suction tube (C) and the 5' X 3/4" hose (D) that is supplied and fasten together. Put the suction tube in the larger hole of the barrel. Connect opposite end of suction hose to the 3/4" QDC connector located on the sprayer.
3. Take the bypass tube (E) and the 5' X 1/2" hose (F) that is supplied and fasten together. Put the bypass tube in the smaller hole of the barrel. Connect opposite end of the bypass hose to the 1/2" QDC connector located directly below the flow control valve.
4. Locate the spray wand hose (G). This hose will be the longer of the three. Connect one end to the spray wand (H) and the opposite end to the 1/2" QDC connector located on the 90 degree elbow below the flow control valve on the sprayer.

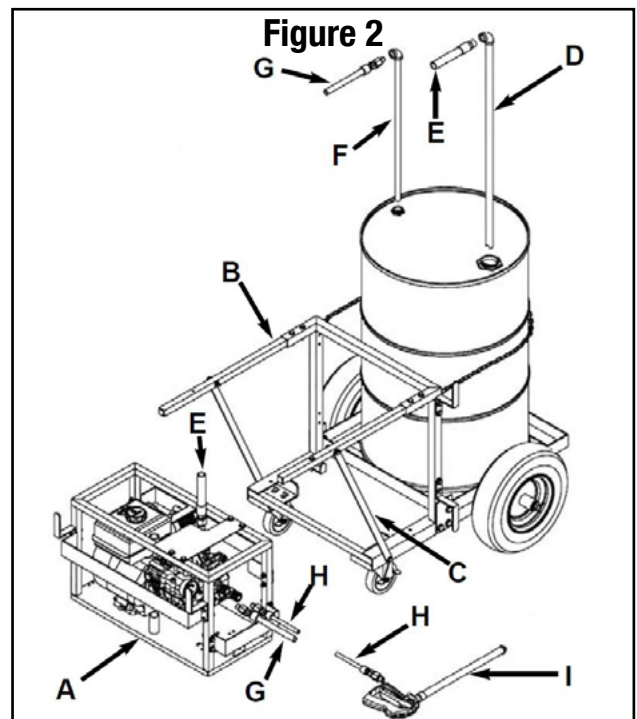
**NOTE:** Your sprayer and components may differ from the one shown in Fig. 1. This will depend on what model you order.



Model 9910 Sprayer and Components Shown

### 2.1.2 Assembly of Razorback® Power Sprayers to a Push Cart.

1. After you uncrate all components received, place the sprayer (A) on the push cart (B). Use the fasteners provided to fasten the sprayer to the frame. If you are using a 9910 sprayer, you will need to remove the right hand side, handle to frame, brace (C) in order to place this sprayer onto the frame. After the 9910 sprayer is fastened to the frame, replace the brace. If you are using a 6500, 7560, or a 7560XL sprayer, this brace will not have to be removed.
2. Take the suction tube (D) and the 5' X 3/4" hose (E) that is supplied and fasten together. Put the suction tube in the larger hole of the barrel. Connect opposite end of suction hose to the 3/4" QDC connector located on the sprayer.



## SECTION 2 OPERATIONS

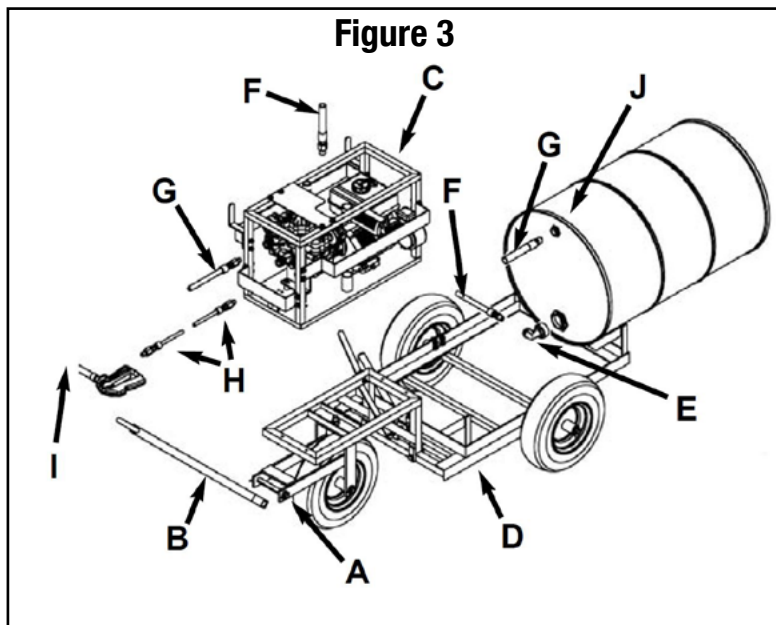
### 2.1 - Sprayer Assembly, continued

3. Take the bypass tube (F) and the 5' X 1/2" hose (G) that is supplied and fasten together. Put the bypass tube in the smaller hole of the barrel. Connect opposite end of the bypass hose to the 1/2" QDC connector located directly below the flow control valve.
4. Locate the spray wand hose (H). This hose will be the longer of the three. Connect one end to the spray wand (I) and the opposite end to the 1/2" QDC connector located on the 90 degree elbow below the flow control valve on the sprayer.

**NOTE:** Your sprayer and components may differ from the one shown in Fig. 2. This will depend on what model you order.

#### 2.1.3 Assembly of Razorback® Power Sprayers to a Tow Cart.

1. After you have uncrated all components received, remove cotter key and washer (A). Slide out the pin in order to install the tow handle (B).
2. Next place the sprayer (C) on the tow cart (D). Use the fasteners provided to fasten the sprayer to the frame. If you are using a 9910 sprayer, place the sprayer to the front of the frame away from the barrel. If you are using a 6500, 7560, or a 7560XL sprayer, this process will not have to be done.
3. Take the reducer (E) and the 5' X 3/4" hose (F) that is supplied and fasten together. Connect that end to the larger hole on the barrel. Connect opposite end of suction hose to the 3/4" QDC connector located on the sprayer.
4. Take the 5' X 1/2" bypass hose (G) that is supplied and fasten to the smaller hole on the barrel. Connect opposite end of the bypass hose to the 1/2" QDC connector located directly below the flow control valve.
5. Locate the spray wand hose (H). This hose will be the longer of the three. Connect one end to the spray wand (I) and the opposite end to the 1/2" QDC connector located on the 90 degree elbow below the flow control valve on the sprayer.



**NOTE:** Your sprayer and components may differ from the one shown in Fig. 3. This will depend on what model you order.

**NOTE:** Barrels are not sold by Allen Engineering Corporation

## 2.2 - Diaphragm Pump Operation and Maintenance (9910 D30)

## SECTION 2 OPERATIONS

### Proper Maintenance and Operation for Reducer, 9910 D30 Pump and Control Valve

1. When changing oil in the Reducer, remove the drain plug (A) located on the bottom of the Reducer. (refer to Fig. 1) After the oil has completely drained, replace drain plug(A) and tighten. To fill, remove side level plug (B) and vent plug (C). (refer to Fig. 1) Fill until the gear lube is no higher than the mark on the dipstick. After proper oil level has been obtained replace plugs.

#### **USE 90W GEAR LUBE TO FILL GEAR CASE**

2. Check oil level in pump daily. Be sure oil is halfway up to the clear oil sight tube (D). If it is not, fill to the correct level using a high-grade, non-detergent, SAE 30 weight oil. This will help prolong the pump life. (refer to Fig. 2)
3. Check the charge pressure (E) on the pulsation dampener before starting the pump. The pressure is checked with a standard automotive air gauge. The pressure should be at approximately 20% of the maximum operating pressure. (refer to Fig. 3)
4. On the pump you can adjust the pressure by clamping the relief valve adjustment lever (F) down. With the bale hook in the number one position the pressure is about 100 psi; number two is about 250 psi; number three is about 450 psi; number four is about 550 psi. These pressures can be adjusted by using the fine adjustment knob (G) located on top of the relief valve spring. The fine adjustment knob can be rotated when the relief valve lever is in the up position. (refer to Fig. 3)

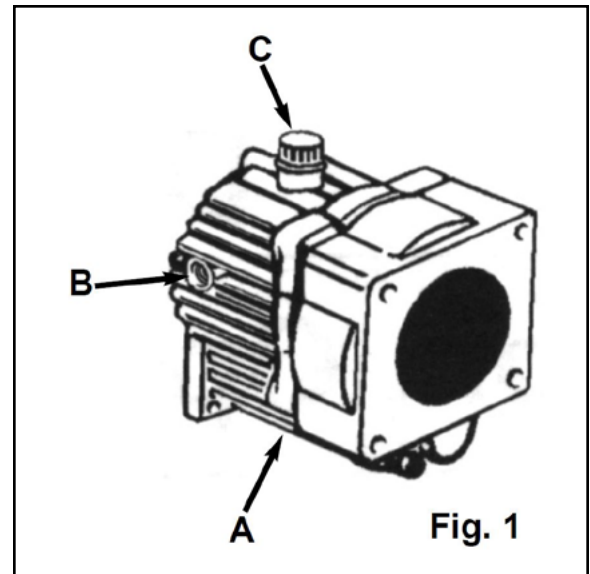


Fig. 1

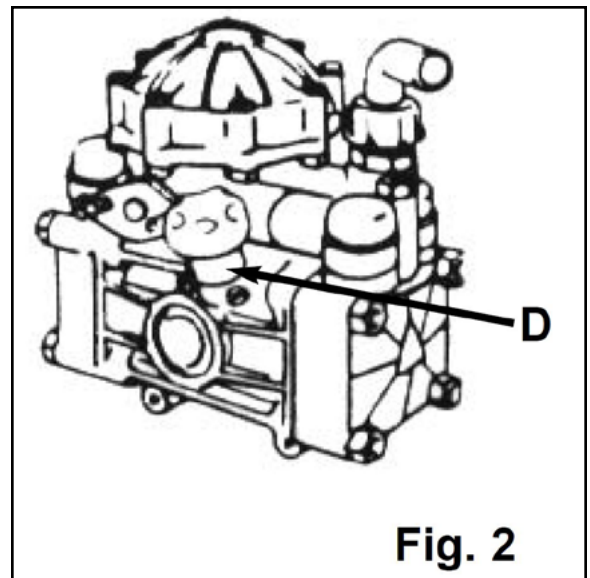


Fig. 2

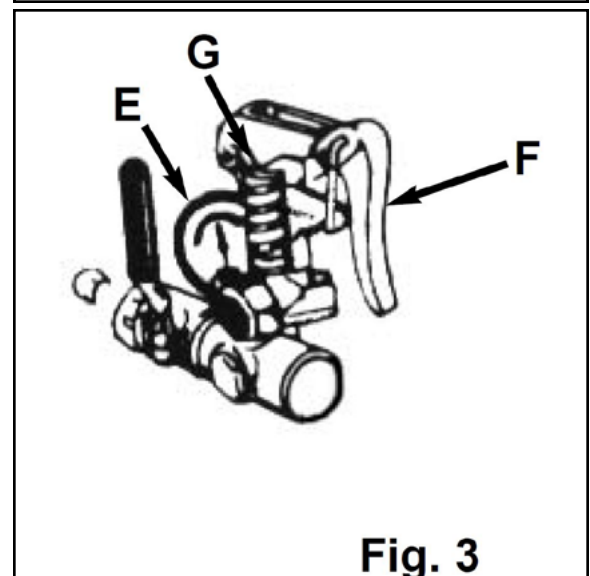


Fig. 3

**SECTION 3: SERVICE**

### Periodic Maintenance

The list below contains basic sprayer and engine maintenance. Refer to engine manufacturer's Operation Manual for additional information on engine maintenance. A copy of the engine Operator's Manual was supplied with the machine when it was shipped.

<b>Check Fuel Level</b>	Daily
<b>Check Air Filter- Replace as needed</b>	Daily
<b>Check and Tighten External Hardware</b>	Daily
<b>Change Engine Oil</b>	100 hrs.
<b>Replace Spark Plug</b>	300 hrs.

# **SECTION 4: PARTS**

This section contains the illustrated drawings and parts list for help in identifying and/or ordering replacement parts for your machine. Follow the instructions in the front section of this manual “Ordering Parts” when ordering replacement parts to insure prompt and accurate delivery.

### **NOTE**

All set screws have blue (LOC-TITE™) applied at the factory. If set screw is removed or loosened for any reason re-apply blue (LOC-TITE™).

### **NOTE**

All grease fittings are capped with CAP PLUG GC-5 (AEC PN 015692) to protect the fitting. If cap becomes missing or damaged replace it as soon as possible.

### **NOTE**

Anti-Seize is applied at the factory to all drive line coupling, gear box main and counter shafts and pitch control threaded rod assemblies. If these parts are disassembled re-apply a light coat of a graphite based anti-seize.

## SECTION 4 PARTS

# Replacement Part Procedures

We recommend AEC quality replacement parts, available from the AEC Customer Service Department or your nearest AEC Dealer.

Part numbers are subject to change without notice. Part numbers might be different outside of the United States of America. Use part numbers listed in the applicable parts list table when you place your order. If a part number changes, the AEC Customer Service Department or your nearest AEC dealer will have the latest part number for the replacement part.

Remember when you order replacement parts, you will need your model number and serial number. These are the numbers that you have recorded in the UNIT ID section of this manual. Please order replacement parts by the appropriate part number, not the key number.

This manual contains an illustrated parts list for help in ordering replacement parts for your machine. Follow the instructions below when ordering parts to insure prompt and accurate delivery:

1. All orders for service parts - include the serial number for the machine. Shipment will be delayed if this information is not available.
2. Include correct description and part number from the "PARTS" Section 4.
3. Specify exact shipping instructions, including the preferred routing and complete destination address.
4. **DO NOT** return parts to AEC without receiving written authorization from AEC. All authorized returns must be shipped pre-paid.
5. When placing an order, please contact the AEC Dealer nearest you.

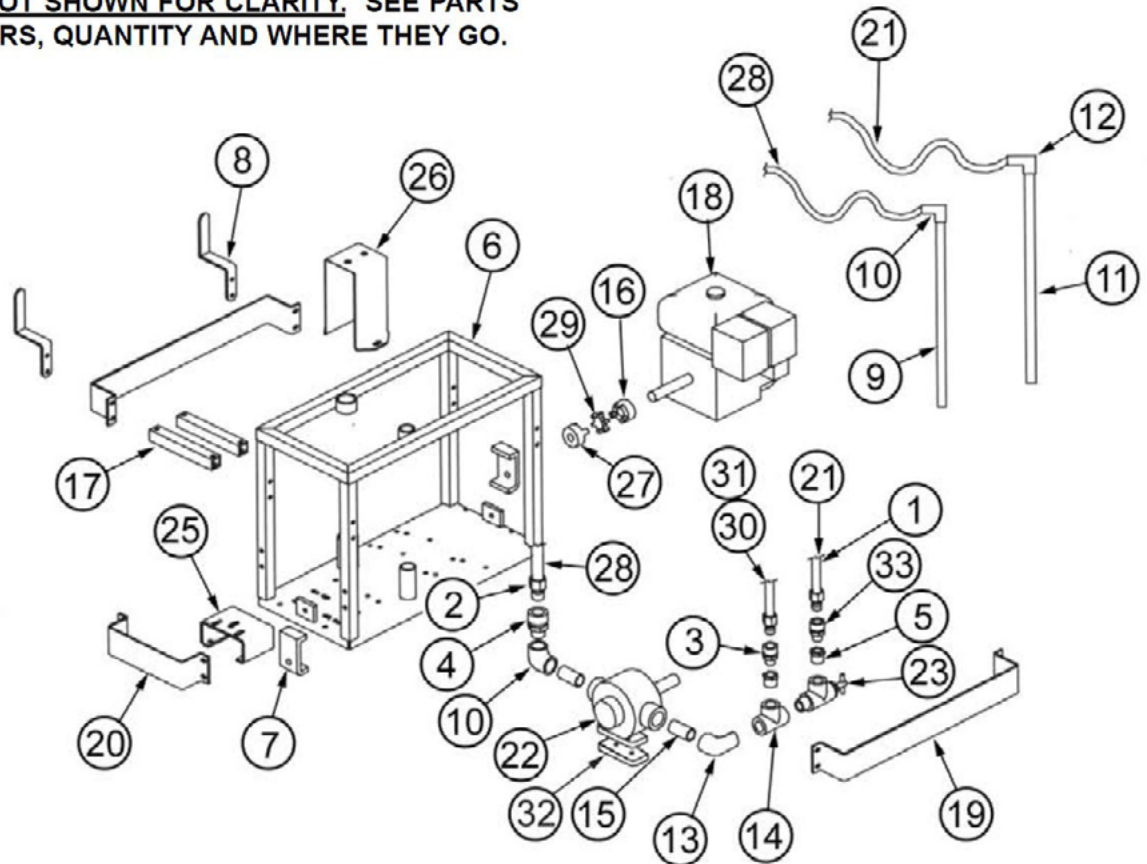


All information, specifications, and illustrations in this manual are subject to change without notice and are based on the latest information at the time of publication.

## 4.2 - Model 7560 & 7560XL Assembly, Illustration & Parts List

## SECTION 4 PARTS

**FASTENERS ARE NOT SHOWN FOR CLARITY. SEE PARTS LIST FOR FASTENERS, QUANTITY AND WHERE THEY GO.**



Item	Part#	Description	Qty
1	040159	Coupler, QDC, Female, 1/2"	1
2	010178	Nipple, QDC, Male, 3/4"	1
3	010189	Coupler, QDC, Female, 1/2"	1
4	010190	Coupler, QDC, Female, 3/4"	1
5	010208	Bushing, Reducer, 3/4" X 1/2"	2
6	010239	Frame	1
7	010241	Lock, Barrel Mount	2
8	010242	Bracket, Hose Hanger	2
9	010243	Pipe, Suction	1
10	010244	Elbow, 3/4", 90°, Female	2
11	010245	Pipe, By-Pass	1
12	010246	Elbow, 1/2", 90° Female	1
13	010259	Elbow, 3/4", 90° Street	1
14	010321	Tee, 3/4", Female	1
15	010345	Nipple, Pipe, 3/4" x 3", Galvanized	2

# SECTION 4 PARTS

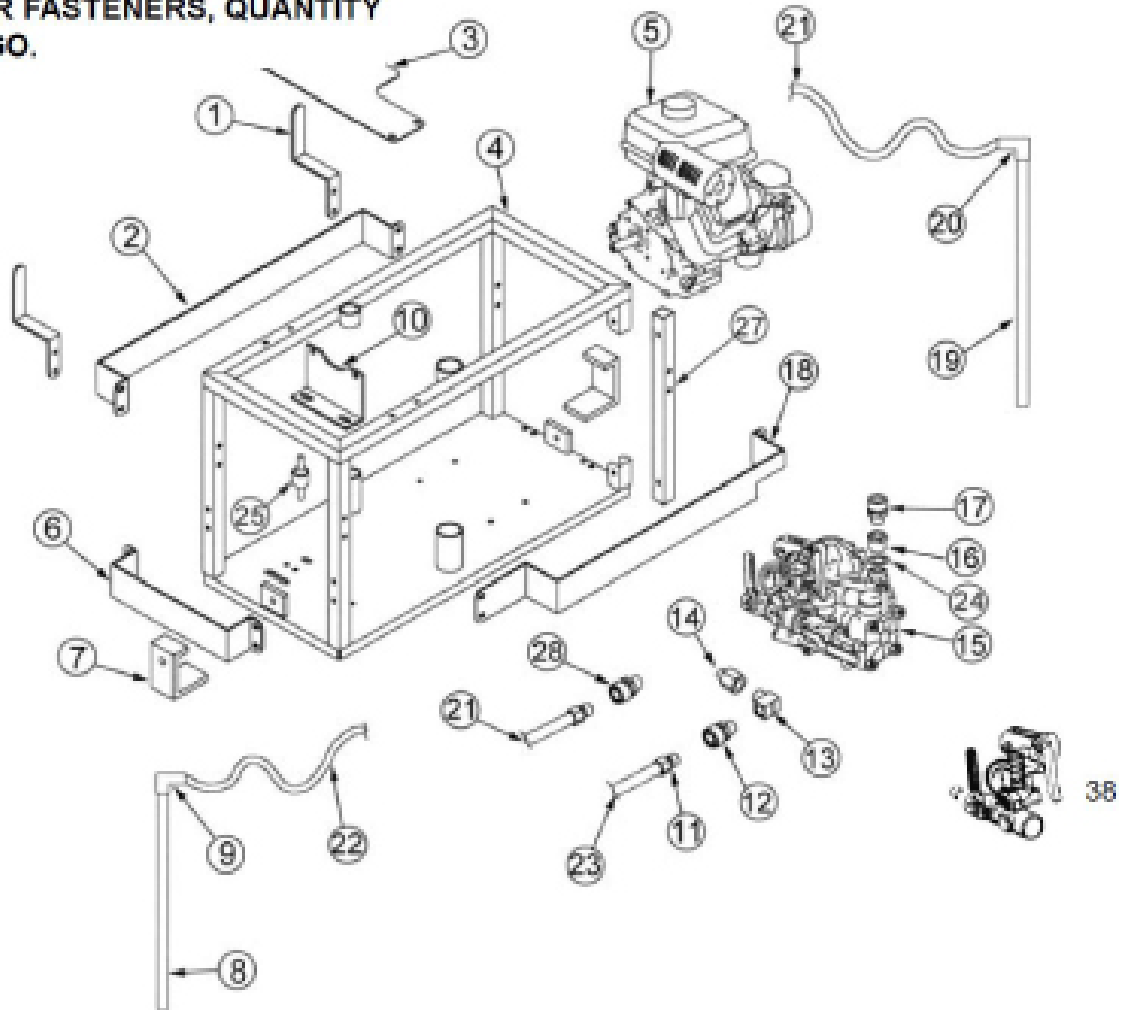
## 4.2 - Model 7560 & 7560XL Assembly, Parts List

Item	Part#	Description	Qty
16	012745	Coupler, Jaw, 3/4"	1
17	011115	Bracket, Motor Mount	2
18	028390	Engine, Honda, 4.0 Hp	1
	077885	Engine, Honda, 5.5 Hp	
19	028494-27	Guard, for Frame	2
20	028494-13	Guard, for Frame	1
21	029411	Hose, By-Pass Assembly	1
22	029412	Pump, 7560 Series	1
	029432	Pump, 7560XL Series	1
23	029413	Valve, Relief	1
24	029417	Clamp (Not Shown)	1
25	029425	Bracket, Pump	1
26	029428	Guard, Shaft	1
27	029434	Coupler, Jaw, 15/16"	1
28	221065	Hose, Suction Assembly	1
29	010510	Insert, Jaw Coupler	1
30	032192	25' Hose Assembly	Opt
31	032194	100' Hose Assembly	Opt
32	039643	Pump Bracket Spacer	1
33	040160	Fitting, Nipple, QDC, 1/2" with Male Threads	1
<b>(Fastener Parts List)</b>			
34	010036	Fastener, 3/8" X 1" (Pump Mount Bracket)	4
35	010091	Fastener, 3/8", Lock Washer (Pump Mount Bracket)	4
36	017751	Fastener, 3/8", Hard Flat Washerat Washer (Pump Mount Bracket)	4
37	010026	Fastener, 5/16" X 2-1/2" (Engine)	4
38	010082	Fastener, 5/16", Flat Washerat Washer (Engine)	4
	010082	Fastener, 5/16", Flat Washerat Washer (Shaft Guard)	2
	010082	Fastener, 5/16", Flat Washerat Washer (2 Frame Guards W/O Hangers)	8
	010082	Fastener, 5/16", Flat Washerat Washer (Pump)	2
39	010090	Fastener, 5/16", Lock Washer (Engine)	4
	010090	Fastener, 5/16", Lock Washer (Shaft Guard)	2
	010090	Fastener, 5/16", Lock Washer (All Frame Guards)	12
	010090	Fastener, 5/16", Lock Washer (Pump)	2
40	010022	Fastener, 5/16" X 1-1/2" (Pump)	2
41	010023	Fastener, 5/16" X 1-3/4" (All Frame Guards)	12
42	010100	Fastener, 5/16", Hex Nut (Engine)	4
	010100	Fastener, 5/16", Hex Nut (Shaft Guard)	2
	010100	Fastener, 5/16", Hex Nut (All Frame Guards)	12
43	024669	Fastener, 7/16" X 2" (Barrel Lock)	2
44	010092	Fastener, 7/16", Lock Washer (Barrel Lock)	2
45	221073	Assembly, Tank Suction Hose <b>(Includes Part #'s 11, 12, 21)</b>	1
46	221074	Assembly, Tank Bypass Hose <b>(Includes Part #'s 9, 10, 28)</b>	1

## 4.3 - Model 9910 Assembly, Illustration & Parts List

## SECTION 4 PARTS

**FASTENERS ARE NOT SHOWN FOR CLARITY.**  
**SEE PARTS LIST FOR FASTENERS, QUANTITY**  
**AND WHERE THEY GO.**



ITEM	PART #	DESCRIPTION	QTY
1	010242	Bracket, C-Mod Sy Hose Hanger	2
2	039074	Guard, M990 Sprayer	1
3	038966	Guard, M9910 Sprayer (Top)	1
4	039079	Frame M9910 Sprayer	1
5	033395	Engine, Kawasaki 5.5 Hp	1
	018961	Engine, Honda 5.5 Hp	1
6	039073	Guard, M9910 Sprayer (End)	1
7	039071	Locks, Barrel M9910	2
8	010243	Suction Pipe	1
9	010244	Elbow 3/4 90 Deg Female Galvanized	1
10	039072	Bracket, Isolator M9910 Sprayer	1
11	040159	Fitting, Coupler QDC 1/2" W/ Fm Threads	1

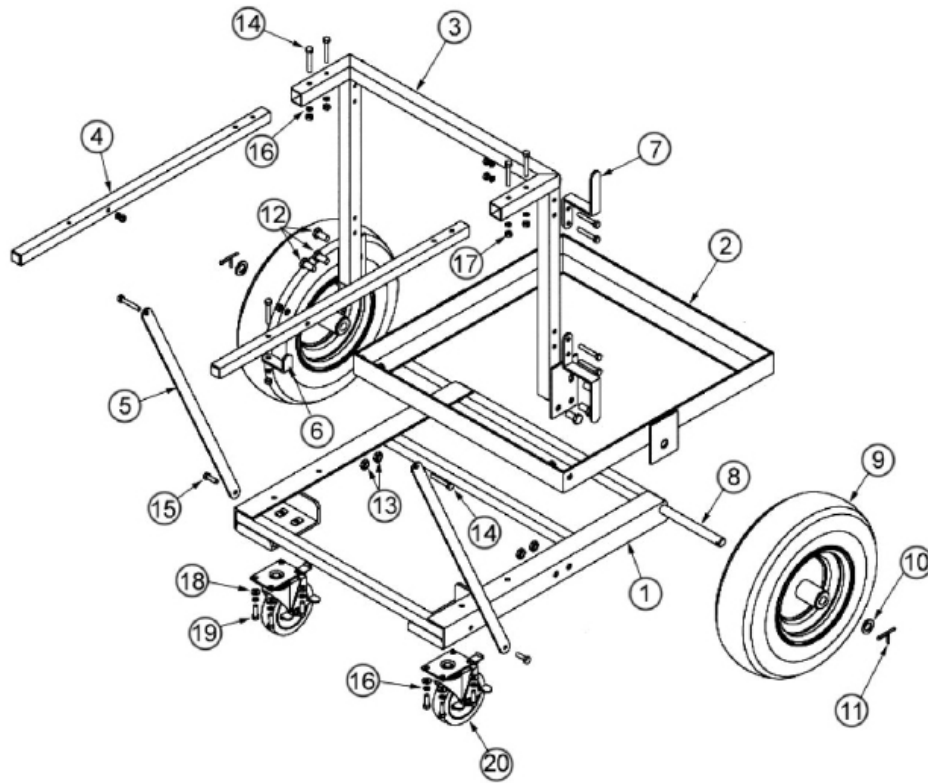
## SECTION 4 PARTS

### 4.3 - Model 9910 Assembly, Parts List

ITEM	PART #	DESCRIPTION	QTY
12	040160	Fitting, Nipple QDC 1/2" W/ Male Threads	1
13	010222	Elbow Adapter	1
14	039080	Adapter, M9910 3/8 Male X 1/2 Female	1
15	039070	Pump, M9910-D30	1
16	036394	Adapter Bush, Mod.d60hypro Pump	1
17	010190	Fitting, Coupler QDC Female 3/4"	1
18	039138	Guard M9910 Sprayer	1
19	010245	Pipe, By-Pass	1
20	010246	Elbow, 1/2" 90 Deg Female Galvanized	1
21	038972	Hose, By-Pass 3/4 (60")	1
22	221065	Hose, Suction 3/4 (60")	1
23	013393	Hose, Push-lock 1/2" F/ Spray wand	1
24	9910-390290	(O-Ring Supplied With Pump)	1
25	028556	Rubber Isolator	2
26	010498	Plug, 3/8" (Not Shown F/ Clarity)	1
27	039649	Tube, Side F/ 9910 Sprayer	1
28	010189	Fitting, Coupler QDC Female 1/2"	1
<b>(Fastener Parts List)</b>			
29	024669	Fastener, 7/16 X 2 (Barrel Lock)	2
30	010092	Fastener, 7/16 Lock Washer (Barrel Lock)	2
31	010023	Fastener, 5/16 X 1-3/4 (All Frame Guards)	16
32	010022	Fastener, 5/16 X 1-1/2 (Engine)	4
33	010082	Fastener, 5/16", Flat Washer (Engine)	4
	010082	Fastener, 5/16", Flat Washer (Frame Guards W/O Hangers)	12
	010082	Fastener, 5/16", Flat Washer (Isolator Bracket To Frame)	4
34	010090	Fastener, 5/16 Lock Washer (Engine)	4
	010090	Fastener, 5/16 Lock Washer (All Frame Guards)	16
	010090	Fastener, 5/16 Lock Washer (Isolator Bracket To Frame)	4
	010090	Fastener, 5/16 Lock Washer (Pump To Engine)	4
35	039082	Fastener, 5/16-18 X 3 (Isolator Bracket To Pump)	2
36	012612	Fastener, 5/16 Nylock Nut	2
37	039081	Fastener, 8M-1.25 X 25Mm (Pump To Engine)	4
38	040139	Kit, Control Valve F/9910 D30	1

# 4.4 - Model 51-C Push Cart Assembly, Illustration & Parts List

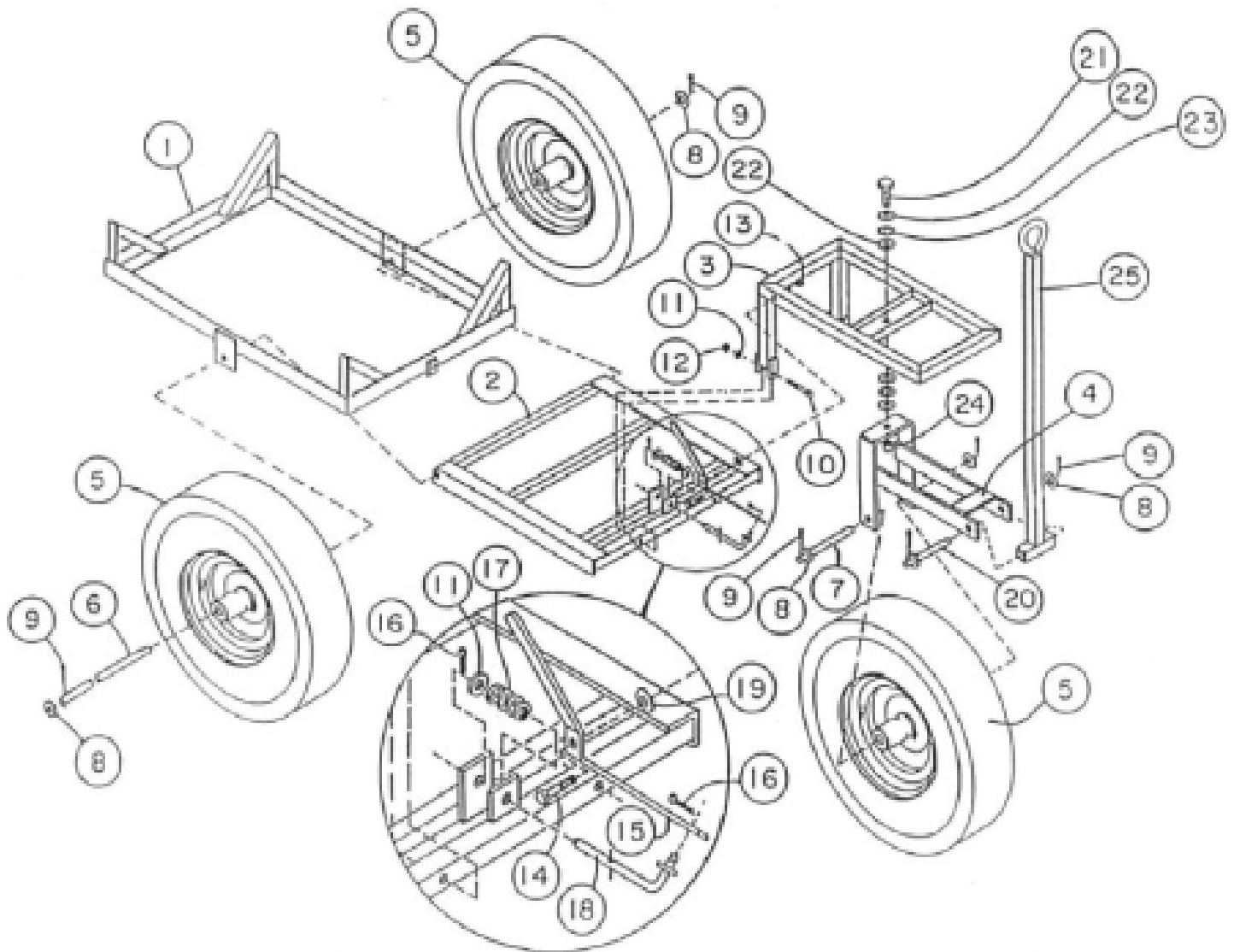
## SECTION 4 PARTS



ITEM	PART #	DESCRIPTION	QTY
-	221075	Assembly, Power Sprayer Push Cart (Two Pneumatic Tires and Two Casters)	-
1	016023	Frame, Prayer Base	1
2	016022	Frame, Barrel Base	1
3	016021	Frame, Sprayer Handle	1
4	011197	Handle, Sprayer	2
5	010253	Brace, Sprayer Handle	2
6	010252	Bracket, Spray Wand Holder	1
7	010242	Bracket, Sprayer Hose Hanger	2
8	011163	Axle, Sprayer Assembly Wheel	1
9	221058	Wheel and Tire Assembly	2
10	010087	Fastener, Flat Washer, 3/4"	2
11	010133	Pin, Cotter, 3/16" x 2"	2
12	010067	Fastener, Bolt, 1/2"-13NC x 1"	6
13	010106	Fastener, Hex Nut, 1/2"-13 NC	6
14	010023	Fastener, Bolt, 5/16"-18NC x 1-3/4"	11
15	010019	Fastener, Bolt, 5/16"-18NC x 3/4"	2
16	010090	Fastener, Lock Washer, 5/16"	21
17	010100	Fastener, Nut, 5/16"-18NC	11
18	010082	Fastener, Flat Washer, 5/16"	8
19	010020	Fastener, Bolt, 5/16"-18NC x 1	8
20	038121	Wheel, Caster	2

**SECTION 4  
PARTS**

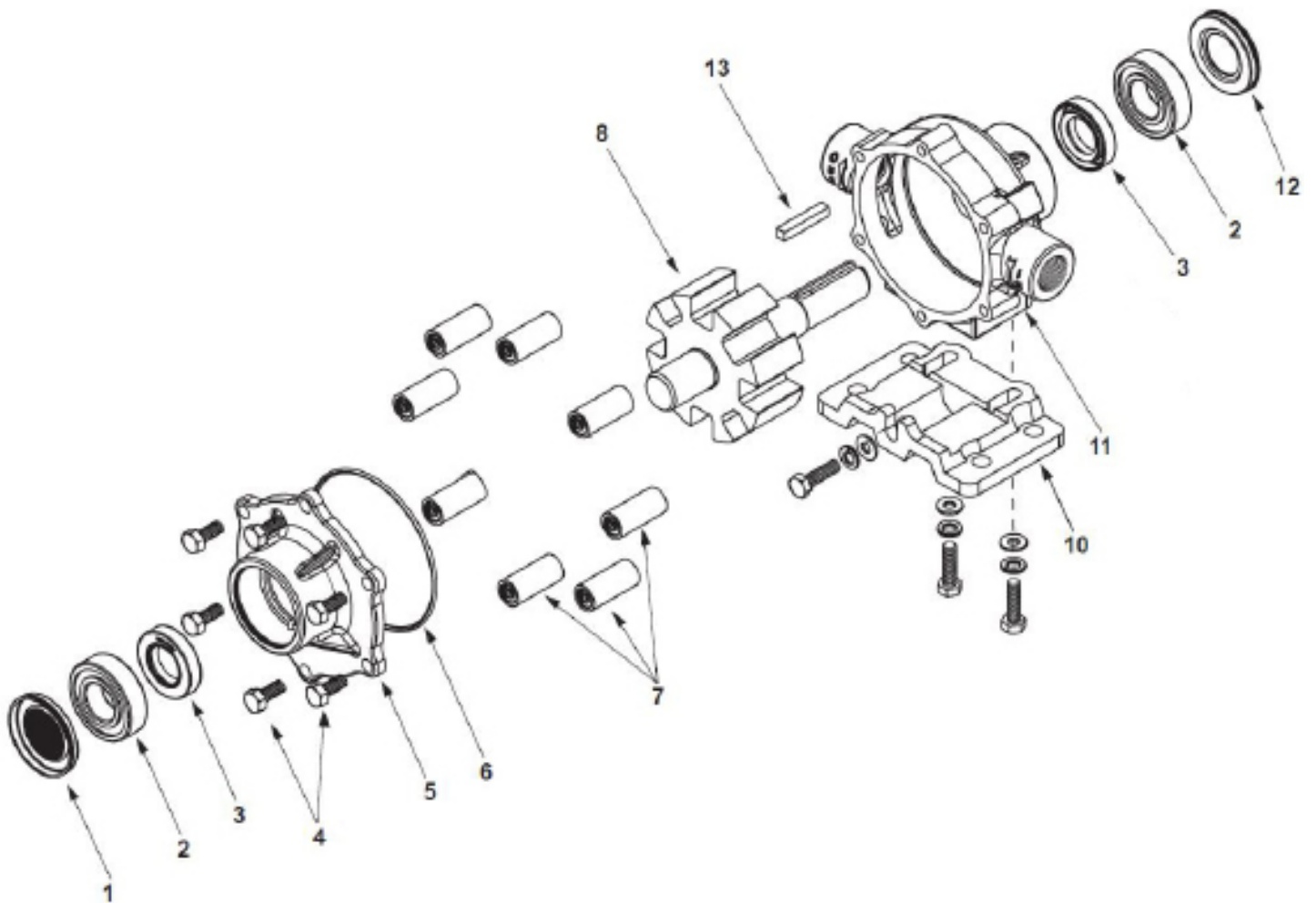
**PAGE LEFT BLANK INTENTIONALLY**



# SECTION 4 PARTS

## 4.5 - Model 61-T Tow Cart Assembly, Parts List

ITEM	PART #	DESCRIPTION	QTY
-	221056	Assembly, Power Sprayer Tow Cart (Three Pneumatic Tires)	-
1	221060	Frame, Barrel Base Sprayer	1
2	022220	Frame, Tow Model Sprayer Rear	1
3	020964	Frame, Tow Model Sprayer Front	1
4	016174	Yoke, Tow Model Sprayer Wheel	1
5	221058	Wheel and Tire Assembly	3
6	011163	Axle, Rear	1
7	011195	Axle, Front	1
8	010087	Fastener, Flat Washer, 3/4"	6
9	010972	Key, Cotter, 3/16" x 1-1/2"	6
10	010042	Fastener, Bolt, 3/8"-16 x 1-1/2"	1
11	010083	Fastener, Flat Washer, 3/8"	3
12	010102	Fastener, Hex Nut, 3/8"-16NC	1
13	012612	Fastener, Nut, 5/16"-18 Nylock	1
14	010024	Fastener, Bolt, 5/16"-18 x 2"	1
15	011175	Latch, Barrel Frame	1
16	012361	Key, Cotter, 1/8" x 1"	2
17	011752	Spring, Latch Pin	1
18	022221	Pin, Latch Barrel Frame	1
19	010082	Fastener, Flat Washer, 5/16"	1
20	011755	Shaft, Tow Handle Connecting	1
21	018483	Fastener, Bolt, 3/4"-10 x 2-1/4"	1
22	012710	Race, Bearing Thrust	4
23	100340	Bearing, Thrust NTA-1220	2
24	011584	Fastener, Nut, 3/4"-10 Nylock	1
25	221062	Handle, Tow Model Sprayer	1
26	010232	Bushing, 3\4" X 2", Hex Red Galvanized <b>(NOT SHOWN)</b>	1
27	010259	Fitting, Elbow, 3\4", 90°, Street, Galvanized <b>(NOT SHOWN)</b>	1



# SECTION 4 PARTS

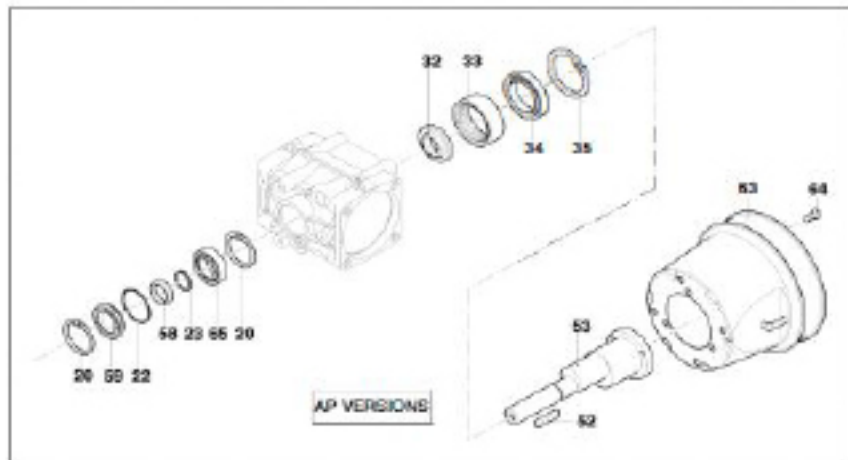
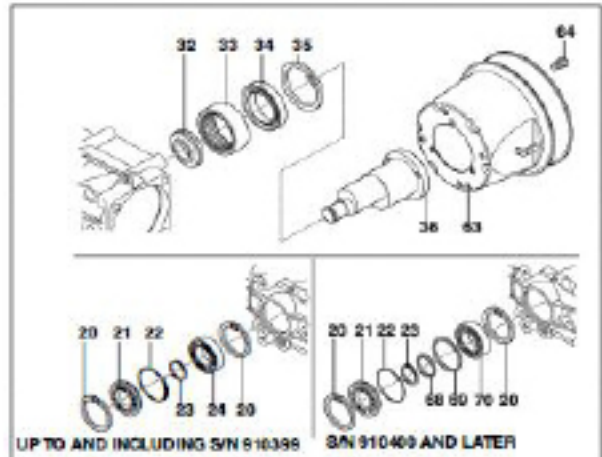
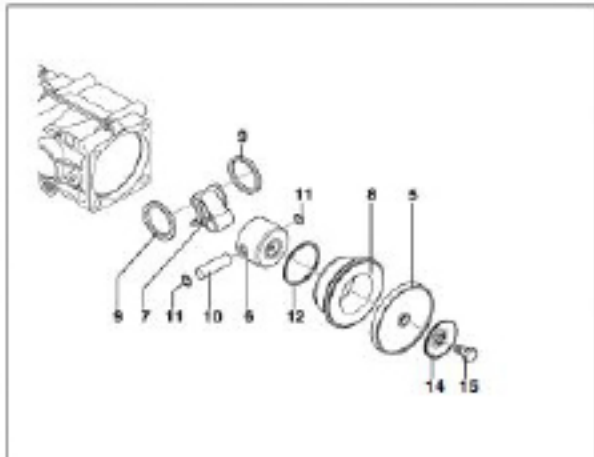
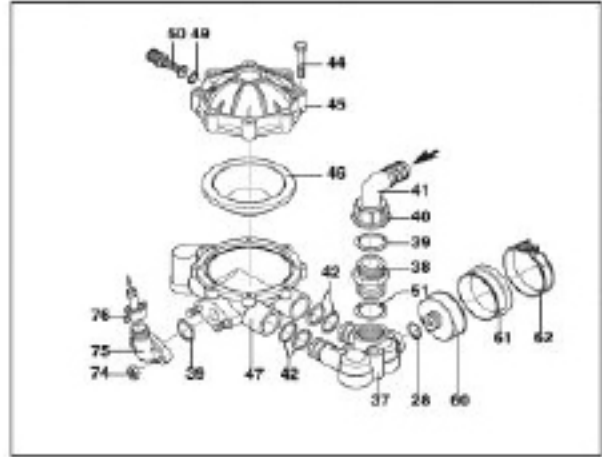
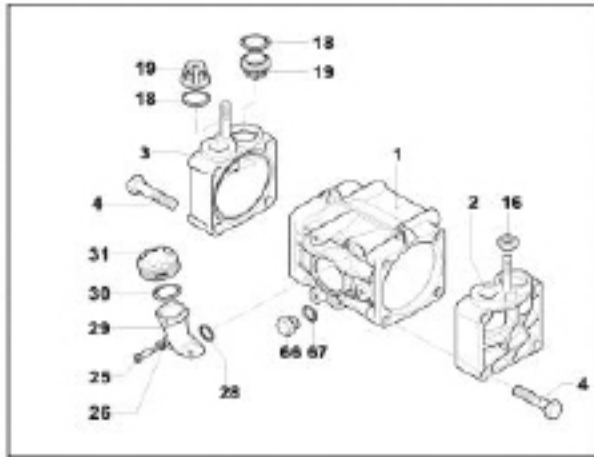
## 4.7 - Model 7560 Pump Assembly, Parts List

ITEM	PART #	DESCRIPTION	QTY
1	2300-0021	Bearing Cover	1
2	2008-0001	Sealed Ball Bearing	2
3*	2112-0003	Viton Seal <b>(Reference to kit below, sold as kit ONLY, can not be parted)</b>	2
4	2210-0004	Fastener, Bolt for End Plate	6
5	0204-7500C	End Plate (Cast Iron)	1
	0204-7500N	End Plate (Ni-Resist)	1
	204-7500X	End Plate (Silver Cast)	1
6*	1720-0014	O-ring, for end plate <b>(Reference to kit below, sold as kit ONLY, can not be parted)</b>	1
7*	1720-0104	Super Roller <b>(Reference to kit below, sold as kit ONLY, can not be parted)</b>	8
	1002-0004	Polypropylene Roller <b>(Optional)</b>	8
	1055-0004	Teflon Roller <b>(Optional)</b>	8
8	0308-7560C	Rotor Assembly (Cast Iron)	1
	3430-0745	Rotor Assembly (Std. Ni-Resist & XL)	1
10	3420-0023	Base Kit - <b>Sold Separately</b> <b>Includes: (1) Base, (2) Bolts, and (2) Washers</b>	-
11	0104-7500C	Body (Cast Iron)	1
	0104-7500N	Body (Ni-Resist)	1
	0104-7500X	Body (Silver Cast)	1
12	2300-0022	Cover, Shaft Bearing	1
13	1610-0005	Key	1
	1610-0059	Key (Stainless Steel)	1

REPAIR KIT			
ITEM	PART #	DESCRIPTION (Parts sold as kit ONLY, can not be parted)	QTY
-	3430-0343	Kit, Repair, Universal, for 7560 Pump Consists of: <ul style="list-style-type: none"> <li>• 2107-0002, (Vition Seal) x 2</li> <li>• 2122-0003, (Vition Seal) x 2</li> <li>• 1720-0008 (O-ring) x 1</li> <li>• 1720-0014 (O-ring) x 1</li> <li>• 1720-0104 (Super Roller) x 8</li> </ul>	1

# 4.8 - Model 9910 Pump Assembly, Illustration (9910-D30GRGI)

## SECTION 4 PARTS



## SECTION 4 PARTS

### 4.8 - Model 9910 Pump Assembly, Parts List (9910-D30GRGI)

ITEM	PART #	DESCRIPTION	QTY
1	9910-629011	Pump Body with Bolts	1
2	9910-620101	Assembly, Right Head (DX)	1
3	9910-620102	Assembly, Left Head (SX)	1
4	9910-621430	Fastener, Bolt, M12 x 55mm	8
5 <sup>1</sup>	9910-620085	Diaphragm, Desmopan (standard) [Repair Kit 9910-KIT1724]	2
	9910-620080	Diaphragm, Buna-N (optional) [Repair Kit 9910-KIT2110]	2
6	9910-620120	Piston	2
7	9910-620140	Connecting Rod	2
8	9910-620110	Sleeve	2
9	9910-580470	Retainer Ring	2
10	9910-380300	Connection Rod Pin	2
11	9910-380080	Ring Pin	4
12	9910-160230	Piston Ring	2
14	9910-1040180	Retaining Washer	2
15	9910-580360	Fastener, Bolt, for Diaphragm	2
16	9910-180150	Fastener, Nut	2
18 <sup>1,2,3</sup>	9910-620030	O-Ring	4
19 <sup>2</sup>	9910-1409050	Complete Valve Assembly	4
20	9910-111120	Retaining Ring	2
21	9910-620020	Cover	1
22 <sup>3</sup>	9910-620291	O-Ring	1
23	9910-620291	Retaining Ring	1
24	9910-620190	Bearing	1
25	082180	Fastener, Bolt, M6 x 30mm	2
26	082181	Washer	2
28 <sup>3</sup>	082188	O-Ring	2
29	9910-550030	Oil Sight Glass	1
30 <sup>3</sup>	9910-550040	O-Ring	1
31	9910-550056	Oil Sight Glass Cap	1
32	9910-620160	Spacer	1
33	9910-550060	Roller Bearing	1
34	9910-620130	Seal	1
35	9910-620330	Retaining Ring	1
36	9910-620170	Crankshaft	1
37	9910-620150	Suction Manifold	1
38	082186	Threaded Adapter	1
39 <sup>3</sup>	9910-550350	O-Ring	2
40	9910-550242	Ring Nut	1
41	082185	Hose Barb	1
42 <sup>3</sup>	9910-390060	O-Ring	4

Continued On Next Page

# 4.8 - Model 9910 Pump Assembly, Parts List, continued (9910-D30GRGI)

## SECTION 4 PARTS

Continued From Previous Page

ITEM	PART #	DESCRIPTION	QTY
44	9910-621780	Fastener, Bolt, M8 x 40mm	8
45	9910-629211	Upper Air Chamber	1
46 <sup>1</sup>	9910-550190	Accumulator, Diaphragm, Buna-N	1
47	9910-622070	Lower Air Chamber Body	1
49 <sup>3</sup>	9910-650542	O-Ring	1
50	082182	Air Valve	1
51 <sup>3</sup>	082187	O-Ring	1
52	9910-620680	Key (VP-A Model)	1
53	9910-620172	Thru-Shaft, 20mm Diameter (AP Version)	1
	9910-620174	Thru-Shaft, 3/4" Diameter (AP Version)	1
58	9910-620630	Seal	1
59	9910-620021	Cover	1
60	9910-650660	Diaphragm Holder (Blue)	1
61	9910-650670	Suction Diaphragm	1
62	9910-650690	Clamp	1
63	9910-1500350	PTO Shield	1
64	9910-820670	Fastener, Bolt, M10 x 16mm	4
65	9910-620190	Bearing	1
66	2406-0023	Drain Plug, Oil	1
67 <sup>3</sup>	9910-740290	O-Ring	1
68	9910-620930	Spacer	1
69	9910-620940	Spacer	1
70	9910-380230	Bearing	1
74	082189	Fastener, Nut	2
75	082184	Flange	1
76	082183	Fitting, Hose Barb, 1/2"	1

FASTENER TORQUE REQUIREMENTS			
ITEM	DESCRIPTION	TIGHTENING TORQUE	
		In. Lbs.	Nm
4	Fastener, Bolt, M12 x 55mm	393.7	44.1
15	Fastener, Bolt, for Diaphragm	262.5	29.4
16	Fastener, Nut	350.0	39.2
25	Fastener, Bolt, M6 x 30mm	87.5	9.8
44	Fastener, Bolt, M8 x 40mm	175.0	19.6
64	Fastener, Bolt, M10 x 16mm	87.5	9.8
74	Fastener, Nut	175.0	19.6

*1	
<b>9910-KIT**** Diaphragm Kit</b>	
ITEM	QTY.
5	2
18	4
46	1

See Item 5 for  
appropriate kit #

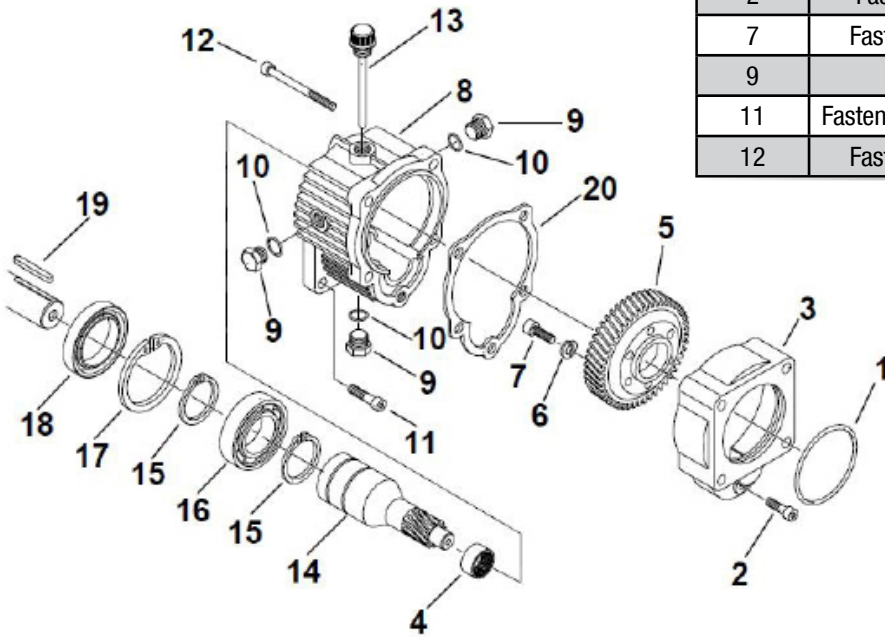
*2	
<b>9910-KIT1917 Valve Kit</b>	
ITEM	QTY.
18	4
19	4

*3	
<b>9910-KIT1916 O-Ring Kit</b>	
ITEM	QTY.
18	4
22	1
18	2
30	1
39	2
42	4
49	1
51	1
67	1

# SECTION 4 PARTS

## 4.9 - Model 9910 Pump Gearbox, Illustration & Parts List (9910-D30GRGI)

### Gearbox 9910-KIT1640

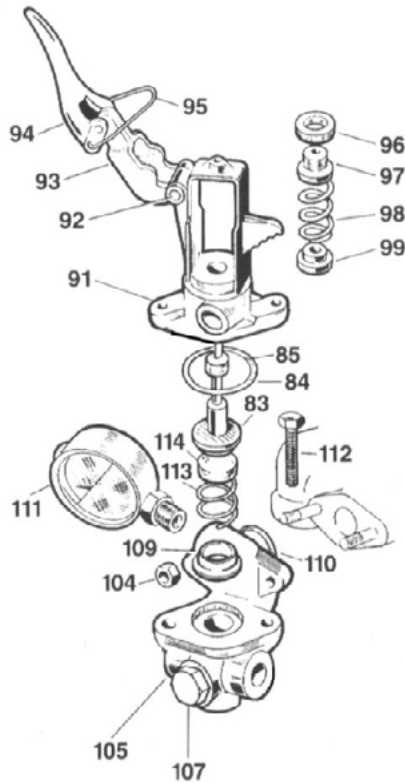


FASTENER TORQUE REQUIREMENTS			
ITEM	DESCRIPTION	TIGHTENING TORQUE	
		In. Lbs.	Nm
2	Fastener, Bolt, M8 x 20mm	218.7	24.5
7	Fastener, Bolt, M10 x 20mm	171.4	19.6
9	Plug	171.4	19.6
11	Fastener, Bolt, 5/16" x 24 UNF x 1	218.7	24.5
12	Fastener, Bolt, M10 x 75mm	218.7	24.5

ITEM	PART #	DESCRIPTION	QTY
1	9910-620561	O-Ring	1
2	9910-180030	Fastener, Bolt, M8 x 20mm	1
3	9910-621000	Pump Adapter Flange	1
4	9910-620990	Bearing	1
5	9910-651620	Gear	1
6	9910-200231	Lock Washer	6
7	9910-620470	Fastener, Bolt, M10 x 20mm	3
8	9910-620960	Gearbox Body	1
9	2406-0023	Plug	2
10	9910-740290	O-Ring	2
11	9910-651000	Fastener, Bolt, 5/16" x 24 UNF x 1	4
12	9100-621010	Fastener, Bolt, M10 x 75mm	4
13	9910-1140370	Vent Plug	1
14	9910-621660	Pinion Gear	1
15	9910-320240	Retaining Ring (External)	2
16	9910-961780	Bearing	1
17	9910-961790	Retaining Ring (Internal)	1
18	9910-961800	Seal	1
19	9910-881090	Key	1
20	9910-620950	Gasket	1

## 4.10 - Model 9910 Pump Control Kit Assembly, Illustration & Parts List

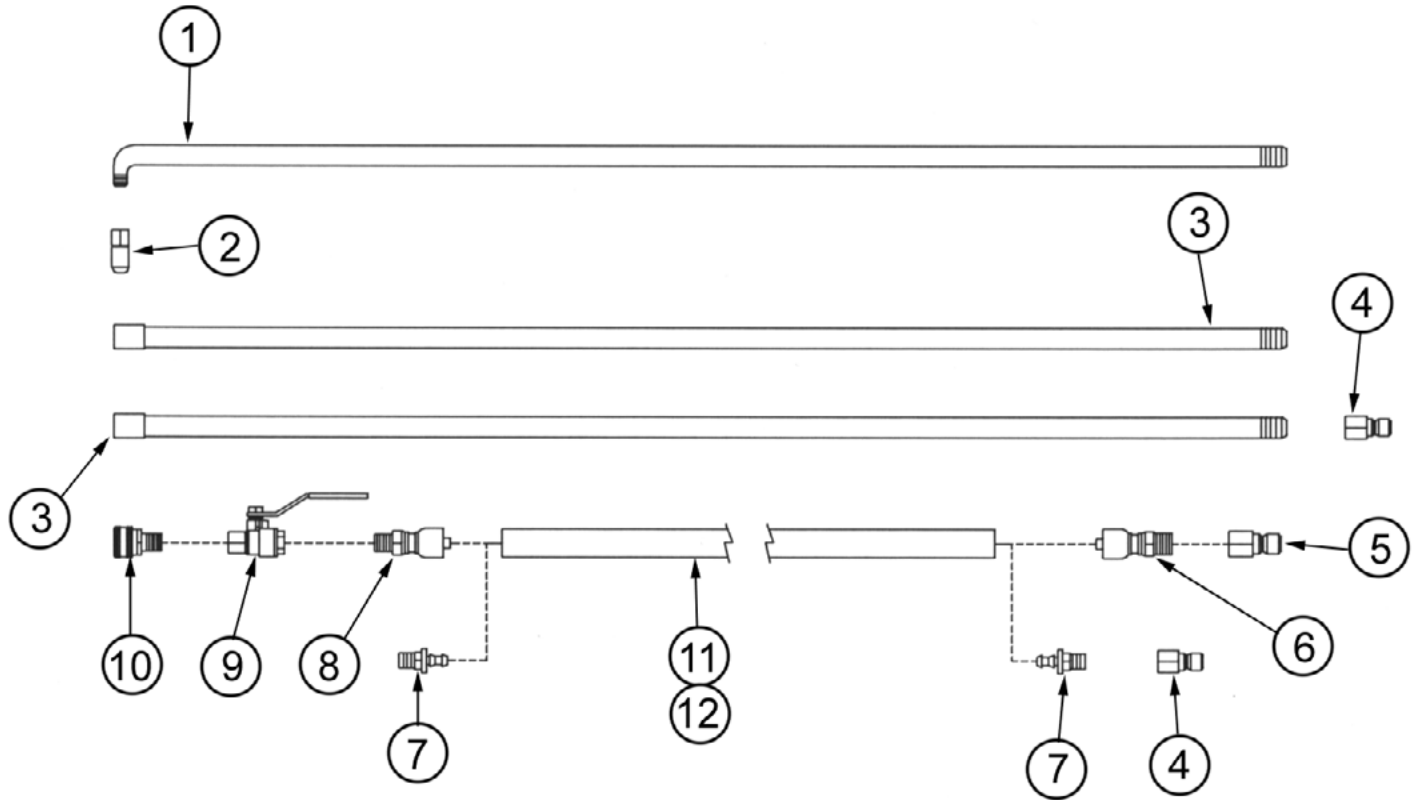
## SECTION 4 PARTS



ITEM	PART #	DESCRIPTION	QTY
-	040139	Assembly, Pump Control Kit	-
83	9910-320433	Relief Valve Poppet Retainer	1
84	9910-320511	O-Ring, Gasket Seal	1
85	9910-390140	Tension Spring Guide/Seal	1
91	9910-320410	Tension Spring Housing	1
92	9910-320480	Pin	1
93	9910-320460	Lever Guide	1
94	9910-320470	Pressure Release Lever	1
95	9910-320490	Locking Clip	1
96	9910-320450	Pressure Adjustment Clip	1
97	9910-320440	Threaded Guide	1
98	9910-10190	Tension Spring	1
99	9910-230120	Tension Spring Retainer	1
105	9910-620220	Relief Valve Body	1
107	9910-130171	Plug	1
109	9910-450110	Spring Holder	1
110	9910-550350	O-Ring	1
111	9910-550545	Pressure Gauge (Oil Filled)	1
112	9910-180370	Fastener, Bolt, 8MA x 25	2
113	9910-320420	Tension Spring	1
114	9910-110122	Relief Valve Seat (Vinton)	1
	9910-110121	Relief Valve Seat (Urethane)	1

# SECTION 4 PARTS

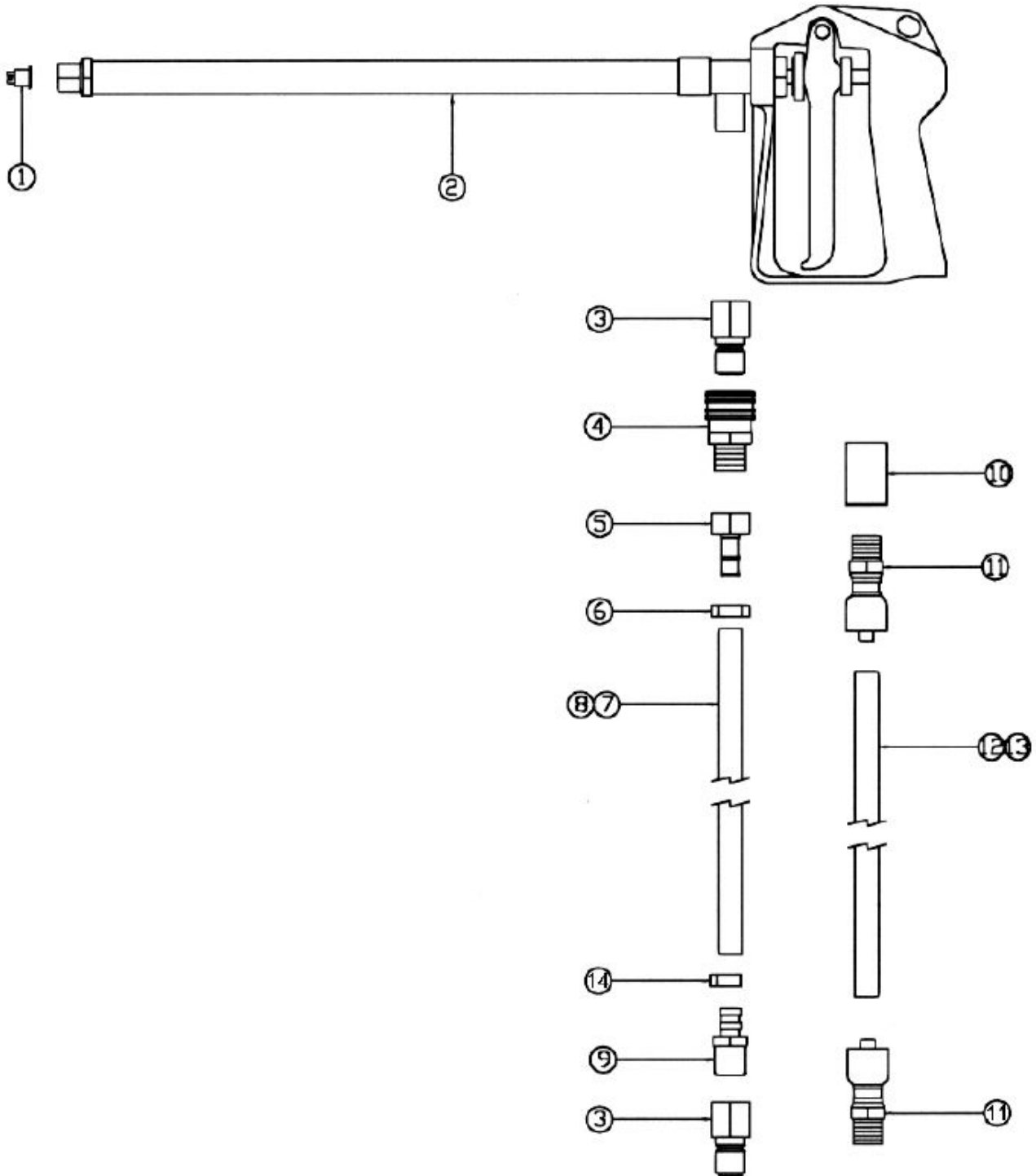
## 4.11 - 3-Piece Spray Wand Assembly, Illustration & Parts List



ITEM	PART #	DESCRIPTION	QTY
-	035570	Assembly, 3-Piece Wand Kit	-
1	010236	Spray Wand End with 1/4" Elbow	1
2	010234	Nozzle, 1/4" Hudson Spray	1
3	010235	Spray Wand Center, 3' Section	2
4	010176	Fitting, Nipple, QDC, 3/8", Male (7560 & 9910)	1
5	010177	Fitting, Nipple, QDC, 1/2", Male (7560 & 9910)	1
6	013055	Swage, 11355-6-6 Swiv. (9910 ONLY)	1
7	010196	Fitting, Push-lock, 3/8"x 1/2"-14, Male, (6500 & 7560)	2
8	013057	Swage, 11355-8-6 Swiv. (9910 ONLY)	1
9	010238	Valve, 3/8", Parker Ball	1
10	010188	Fitting, Nipple, QDC, 3/8", Feale (7560 & 9910)	1
11	028939	Hose, 3/8", Aeroquip, High Impulse, 25' (9910 ONLY)	1
	028939	Hose, 3/8", Aeroquip, High Impulse, 100' (Optional)	1
12	013392	Hose, 3/8", Push-lock, 25' (6500 & 7560)	1
	013392	Hose, 3/8", Push-lock, 25' (6500 & 7560) [Optional]	1
13	019430	Fastener, Clamp, #4 Mini Hose (6500 & 7560)	2

# 4.12 - Spray Wand Assembly, Illustration

## SECTION 4 PARTS



**SECTION 4  
PARTS**

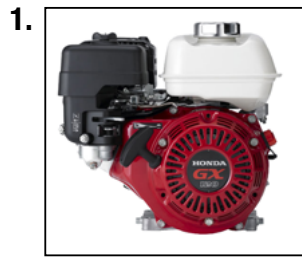
**4.12 - Spray Wand Assembly, Parts List**

ITEM	PART #	DESCRIPTION	QTY
1	029420	Spray Tip, Large <b>[Standard] (5.5 GPM)</b>	1
	012703	Spray Tip, Medium (Mist) {8003} <b>[Optional] (0.82 GPM)</b>	-
	012702	Spray Tip, Fine (Fogger) {8001} <b>[Optional] (0.27 GPM)</b>	-
2	029415	Spray Gun <b>(INCLUDES ONE (1) 029420 SPRAY TIP)</b>	1
3	010177	Fitting, Nipple, QDC, 1/2", Male (7560 & 9910)	2
4	010189	Fitting, Coupler, QDC, 1/2", Female (7560 & 9910)	1
5	9920164.604.14	Fitting, 3/8" Hose Connector With 1/2" Nut (6500 & 7560)	1
6	029417	Clamp, 01518 (6500 & 7560)	1
7	013392	Hose, Push-lock, 3/8", 25' (6500 & 7560)	1
8	013392	Hose, Push-lock, 3/8", 100' (6500 & 7560)	1
9	010196	Fitting, Push-Lock, Male, 3/8" x 1/2"-14 (6500 & 7560)	1
10	010336	Coupler, 1/2" Pipe <b>(9910 ONLY)</b>	1
11	013057	Swage, 11355-8-6 Perm. <b>(9910 ONLY)</b>	2
12	028939	Hose, Aeroquip, H-I 25' <b>(9910 ONLY)</b>	25
13	028939	Hose, Aeroquip, H-I, 100' <b>(9910 ONLY)</b>	100
14	019430	Fastener, Clamp, #4 Mini Hose (6500 & 7560)	1
15	032650	Nut, Brass Ring, Spray Gun <b>(NOT CALLED OUT)</b>	1

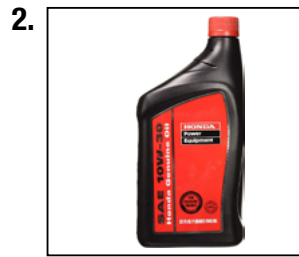
<b>HOSE ASSEMBLIES</b>			
ITEM	PART #	DESCRIPTION	QTY
1	029436	Hose Assembly, 50' with Fittings <b>(7560 ONLY)</b>	1
2	032194	Hose Assembly, 100' with Fittings <b>(7560 ONLY)</b>	1
3	047338	Hose Assembly 50' W/ Fittings <b>(9910 ONLY)</b>	1
4	047339	Hose Assembly 100' W/ Fittings <b>(9910 ONLY)</b>	1
5	029411	Hose Assembly, Bypass, 72" (1/2 Hose)	1
6	221065	Hose Assembly, Suction, 60"	1

## 4.13 - 7560 Sprayer Eng (Honda) Service Parts, for GX120

## SECTION 4 PARTS



Engine, GX120  
AEC PN: 028390



Engine Oil 10W30 (1 QT)  
AEC PN: 081250



Spark Plug  
AEC PN: 081288



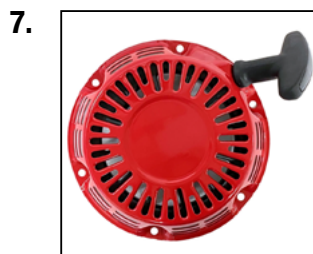
Ignition Coil  
AEC PN: 081281



Element for Air Cleaner  
AEC PN: 081249



Gasket for Air Cleaner  
AEC PN: 081263



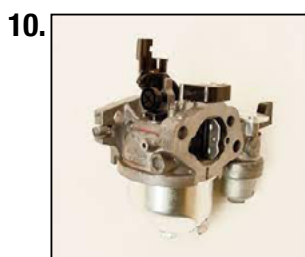
Starter Recoil (Red)  
AEC PN: \*081274  
Kit, Starter Recoil (Red) & Pulley  
AEC PN: 081264



Starter Recoil (BLK)  
AEC PN: \*081275  
Kit, Starter Recoil (BLK) & Pulley  
AEC PN: 081296



Starter Pulley  
AEC PN: \*081279



Carburetor BE99L A  
AEC PN: 081252

*\*081274, 081275 Recoil Starters must be bought with 081279 Pulley. Kit 081264 for 081274 and 081279. Kit 081296 for 081275 and 081279.*

## SECTION 4 PARTS

### 4.14 - 9910 Sprayer Eng (Honda) Service Parts, for GX160

1.



Engine, GX160 AEC PN:  
018961 and 077885

2.



Engine Oil 10W30 (1 QT)  
AEC PN: 081250

3.



Spark Plug  
AEC PN: 081288

4.



Ignition Coil  
AEC PN: 081281

5.



Air Filter  
AEC PN: 081249

6.



Gasket for Air Cleaner  
AEC PN: 081263

7.



Kit, Starter Recoil (Red) & Pulley  
AEC PN: \*081274  
Kit, Starter Recoil (Red) & Pulley  
AEC PN: 081477

8.



Starter Recoil (BLK)  
AEC PN: \*081275  
Kit, Starter Recoil (BLK) & Pulley  
AEC PN: 081478

9.



Starter Pulley  
AEC PN: \*081280

10.



Carburetor BE54D A  
AEC PN: 081253

11.



Carburetor BE99M A  
AEC PN: 081254

*\*081274, 081275 Recoil Starters must be bought with 081280 Pulley. Kit 081477 for 081274 and 081279. Kit 081478 for 081275 and 081279.*

# 4.15 - Decals, 7560XL (Kit #: 068430)

# SECTION 4 PARTS

## SPRAYER WARNING / BRAND DECAL PART #: 068431



## ENGINE WARNING DECAL PART #: 068432



## SHAFT HAZARD DECAL PART #: 068433



## AEC INFO DECAL PART #: 068429



## AEC GLOBE DECAL PART #: 056341



## PROPOSITION 65 WARNING DECAL PART #: 069225



**SECTION 4  
PARTS**

**4.16 - Decals, 9910 (Kit #: 068445)**



SPRAYER WARNINGS /  
BRAND DECAL  
PART #: 068435

AEC GLOBE DECAL  
PART #: 068434  
(QTY: 2)



AEC INFO DECAL  
PART #: 068415



ENGINE WARNING DECAL  
PART #: 068432



PROPOSITION 65  
WARNING DECAL  
PART #: 069225



AEC INFO DECAL  
PART #: 068426



1" CE DECAL  
PART #: 068427



## SECTION 4 PARTS

Copyright © 2018 Allen Engineering Corporation  
All rights reserved

All information, specifications, and illustrations in this manual are subject to change without notice and are based on the latest information at the time of publication. No part of this manual may be reproduced or transmitted in any form or by any means, electronics or mechanical, for any purpose, without the express written permission of Allen Engineering Corporation (AEC). AEC assumes no responsibility or liability for any errors or inaccuracies that may appear in this manual.

Allen Products are covered under one or more of the following patent numbers:  
10,100,537; 9,068,301; 9,068,300; 8,360,680; 7,690,864; 7,114,876B1; 6,857,815B2; 6,582,153  
With other Patents Pending.

Printed in U.S.A.

## Revision Detail

### MANUAL REVISION DETAIL

REVISION #	REVISION DATE	REVISION REFERENCE #	REVISION BY
-	04/02	Initial Release	AW
A	05/17	-	AW
B	08/18	MN 18-065, 18-068, 18-071, 18-157	MW
C	01/22	Updated Covers	MK
D	02/24	24-051	MK
E	06/25	PN Correction 018016 to 011197	MK
F	07/28	25-242, Added Honda Eng service parts pages	MK
G	01/26	Updated Warranty policy 2026	MK
H	03/26	Model 7560, Item #1 changed 010177 FTG Nipple to 040159 FTG Coupler, qty 2 to 1	MK
I	03/26	Updated Part Numbers, 26-145	IPR
J	04/26	26-238 added "Blue" to 9910-650660 description	MK



**AEC FACTORY & HEADQUARTERS**

819 S. 5TH STREET  
PARAGOULD, ARKANSAS 72450  
870.236.7751  
800.643.0095 (TOLL FREE (USA ONLY))

**MAILING**

PO BOX 819  
PARAGOULD, ARKANSAS 72451

**ALLENENG.COM**

CONNECT WITH US ON SOCIAL

