

TRACK BUGGIES

AT12L



PARTS & DECALS MANUAL

Manual Part #: 082035P | Revision: B
Language: English | Original Instructions



For your own safety and protection from personal injury, carefully read, understand, and observe the safety instructions described in this manual. Keep this manual or a copy of it with the machine at all times.

Copyright © 2016 Allen Engineering Corporation
All rights reserved

All information, specifications, and illustrations in this manual are subject to change without notice and are based on the latest information at the time of publication. No part of this manual may be reproduced or transmitted in any form or by any means, electronic or mechanical, for any purpose, without the express written permission of Allen Engineering Corporation (AEC). AEC assumes no responsibility or liability for any errors or inaccuracies that may appear in this manual.

Allen Products are covered under one or more of the following patent numbers:

U.S. Design Patents: 344,736; 400,542; 400,544; 402,998; 402,999; 403,332; 404,041; 404,042; 410,931; 413,127; 416,564; 465,897; 466,909; 474,203.

U.S. Utility Patents: 5,108,220; 5,238,323; 5,328,295; 5,352,063; 5,405,216; 5,476,342; 5,480,257; 5,480,258; 5,533,831; 5,562,361; 5,567,075; 5,613,801; 5,658,089; 5,685,667; 5,803,658; 5,816,739; 5,816,740; 5,890,833; 5,934,823; 5,967,696; 5,988,938; 5,988,939; 6,019,433; 6,019,545; 6,048,130; 6,053,660; 6,089,786; 6,106,193; 6,857,815; 5,288,166; 6,582,153 B1, 7,108,449; 7,114,876; 7,316,523; 7,690,864 B2

Canadian Patents: 2,039,893.

Printed in U.S.A.

AT12L Track Buggy

OPERATIONS - PARTS

MANUAL

This manual covers the products listed below:

<u>Part No.</u>	<u>Description</u>
066604	BUGGY, AT14F, 14CUFT POLY FIXED
073370	BUGGY, AT14S, 14CUFT POLY SWIVEL
066182	BUGGY, AT12F, 12CUFT POLY FIXED

Note: This manual includes parts information for the AT12L, as well as the closely related models AT14F and AT14S.

The machines use nearly identical components; any parts that differ between models are clearly labeled.

For more information regarding the following, please see “AT12L Safety & Operations Manual”

- Warranty information
- Dealer information
- How to identify the model/serial numbers on the machine
- Technical specifications

Sect No.	Title	Page
	Table of Contents.....	4
	GENERAL INFORMATION	6
	Factory Service Information	6
	Ordering Parts.....	7
SECTION 1	PARTS.....	8
	Frame Assembly Illustration.....	10
	Hydraulic Tank Assembly Illustration	12
	Engine Assembly Illustration.....	14
	Hydraulic Pump Assembly Illustration	16
	Hydraulic Cooler Assembly Illustration	18
	Fuel Tank Assembly Illustration.....	20
	Wiring Assembly Illustration.....	22
	Operator Console Assembly Illustration	24
	Throttle Assembly Illustration.....	26
	Control Lever Assembly Illustration	28
	Control Lever Assembly Illustration	30
	Block Drainages and Servos Illustration	32
	Hood Assembly Illustration	34
	Bucket Valve Fitting Assembly Illustration.....	36
	Hydraulic Hose Assembly Illustration	38
	Decal Assembly Illustration.....	40
	Maintenance Tools Illustration	44
	Hourmeter Illustration.....	46
	Bucket Hydraulic Cylinder Assembly Illustration.....	48
	Swivel Hydraulic Cylinder Assembly Illustration	50
	Trilateral Tipping Bucket Assembly Illustration.....	52
	Hydraulic Tank Connections Illustration	58
	Control Plates Illustration	60
	Control Levers Illustration	62

Table of Contents - Continued

GENERAL INFORMATION

Sect No.	Title	Page
	Manufacturer Plates Illustration	64
	AT12L Bucket Assembly Illustration	66
	AT12L Bucket Decal Illustration.....	68
	AT12L Bucket Chassis Illustration	70
	AT12L Hydraulic Tank Connections Illustration.....	72
	Hydraulic Schematic	74
	Electrical Schematic.....	76
	Manual Revision	77

GENERAL INFORMATION

Factory Service Information

This manual contains the illustrated drawings and parts list for help in identifying and/or ordering replacement parts for your machine. Follow the instructions in the front section of this manual “Ordering Parts” when ordering replacement parts to insure prompt and accurate delivery.

The FRONT and/or REAR orientations are defined from the operator’s view of sitting on machine (SOM).

! NOTE



All set screws have blue (LOC-TITE™) applied at the factory. If set screw is removed or loosened for any reason re-apply blue (LOC-TITE™).



All grease fittings are capped with CAP PLUG GC-5 (AEC PN 015692) to protect the fitting. If cap becomes missing or damaged replace it as soon as possible.



Anti-Seize is applied at the factory to drive line couplings, and moving components. If these parts are disassembled re-apply a light coat of a graphite based anti-seize.

Section 1 contains illustrated parts lists for help in ordering replacement parts for your machine. Follow the instructions below when ordering parts to insure prompt and accurate delivery:

1. All orders for service parts - include the serial number for the machine. Shipment will be delayed if this information is not available.
2. Include correct description and part number from the "PARTS" section of this manual.
3. Specify exact shipping instructions, including the preferred routing and complete destination address.
4. DO NOT return parts to AEC without receiving written authorization from AEC. All authorized returns must be shipped pre-paid.
5. When placing an order, please contact the AEC dealer nearest you.



All information, specifications, and illustrations in this manual are subject to change without notice and are based on the latest information at the time of publication.

VISIT US!!!



www.alleneng.com

LIKE US!!!



www.facebook.com/AllenEngineering

FOLLOW US!!!



[@alleneng](https://twitter.com/alleneng)

WATCH US!!!



www.youtube.com/AllenMachinery

**SECTION 1
PARTS**

SECTION 1: PARTS

PAGE LEFT BLANK INTENTIONALLY

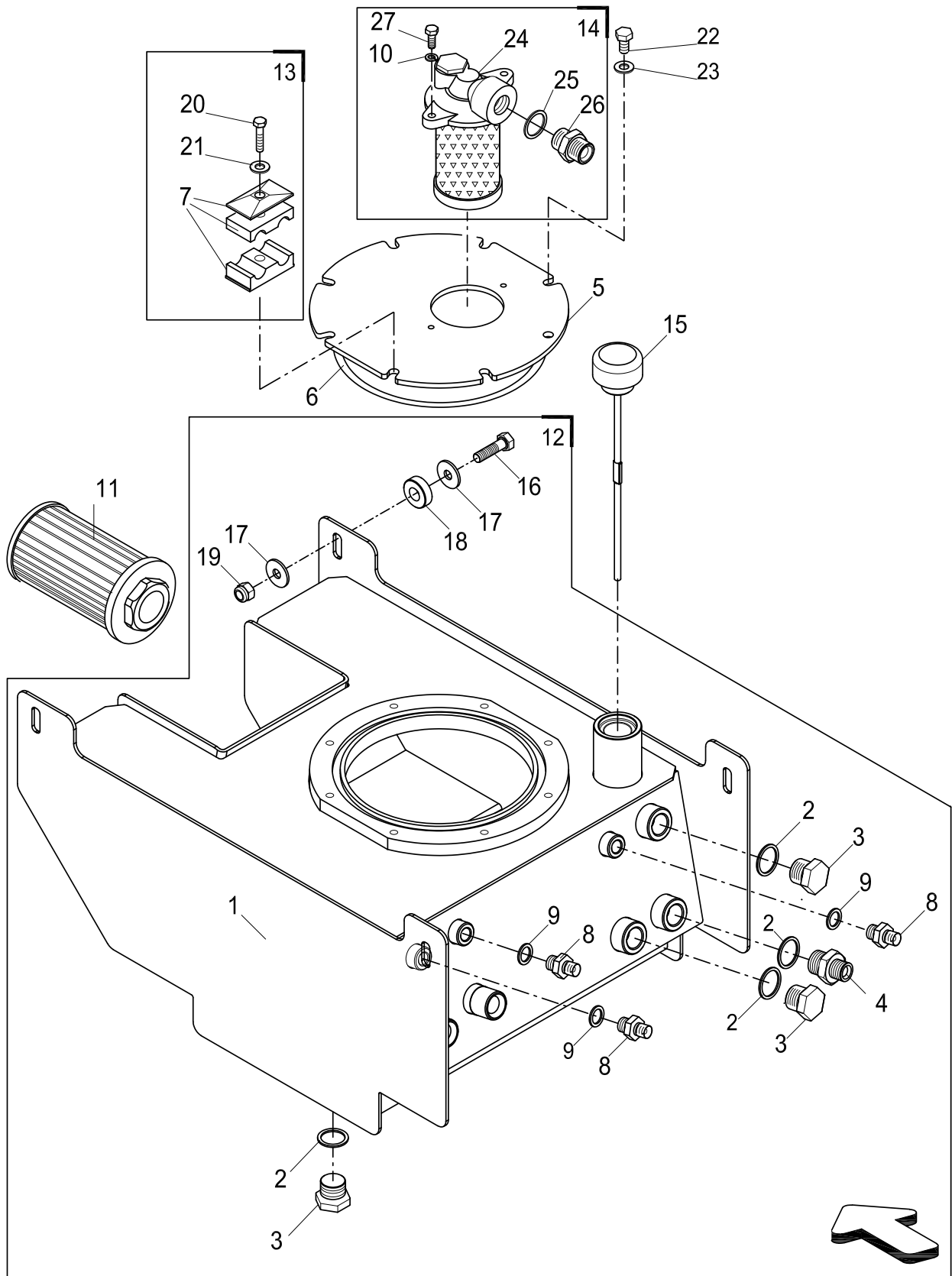
Frame Assembly Parts List

SECTION 1 PARTS

Item	Part #	Description	Qty
1	55141569	FRAME	1
2	33591805	BUSHING	2
3	30060578	PLATE	1
4	30060575	RIGHT MOUNTING	1
5	03366300	NUT	4
6	03240701	FSTN, SCREW M10X40 8.8	4
7	03730003	SPRING	1
8	30060568	OPERATOR'S FOOTBOARD	1
9	03366300	NUT, M10	2
10	03731430	SPRING	4
11	45020435	SPACER	2
12	03386201	FSTN, WASHER 10,5x21x2	2
13	03241600	FSTN, SCREW M10x90 8.8	2
14	068666	FSTN, WASHER 10,5x21x2	8
15	45020437	SPACER	2
16	065583	VIBRATION-DAMPING	2
17	25200637	CONNECTOR	1
18	065250	COMPLETE ROLL	8
19	065251	TRACK	2
20	065585	PIN, 180x72x37	2
21	55140802	SUPPORT	4
22	03389300	FSTN, WASHER 17x30x4	4
23	03389300	FSTN, WASHER 17x30x4	4
24	065257	COMPLETE ROLL	2
25	03385050	WASHER	4
26	070065	FSTN, SCREW M8x30 8.8	4
27	065252	TRANSLATION GEAR MOTOR	2
28	03160902	WASHER	4
29	13152800	JUNCTION	4
30	066015	WASHER	4
31	13152700	JUNCTION	4
32	065629	BUSHING, 30x34x26 IGUS	4
33	065253	GEAR	4
34	065254	GEAR	4
35	03245010	FSTN, SCREW M10x35 12.9	18
36	30014755	SPACER	2
37	03244810	FSTN, SCREW M10x25 12.9	16
38	30014939	CRANKCASE	1
39	03510400	LUBRICATOR	1
40	03386000	WASHER 10,2x17,2x2,2	32
41	45070957	PIN	2
42	03730930	SPRING	2
43	45040156	TRACK STRETCHER	2
44	065256	GEAR	2
45	073501	PIN, 20x97-M20x1,5	2
46	068662	WASHER, 21x37x4	2
47	073502	FSTN, NUT M20x1,5	2
48	13150402	CONNECTOR	2
49	03371120	FSTN, NUT M20	2
50	03160900	WASHER	2
51	30014897	CLAMP	1
52	30014898	CLAMP	1
53	45153316	SUPPORT	2
54	98080002	KIT GEAR MOTOR	2
55	069253	KIT OPERATOR'S FOOTBOARD	1
56	065255	KIT SEALS	1

SECTION 1 PARTS

Hydraulic Tank Assembly Illustration



Hydraulic Tank Assembly Parts List

SECTION 1 PARTS

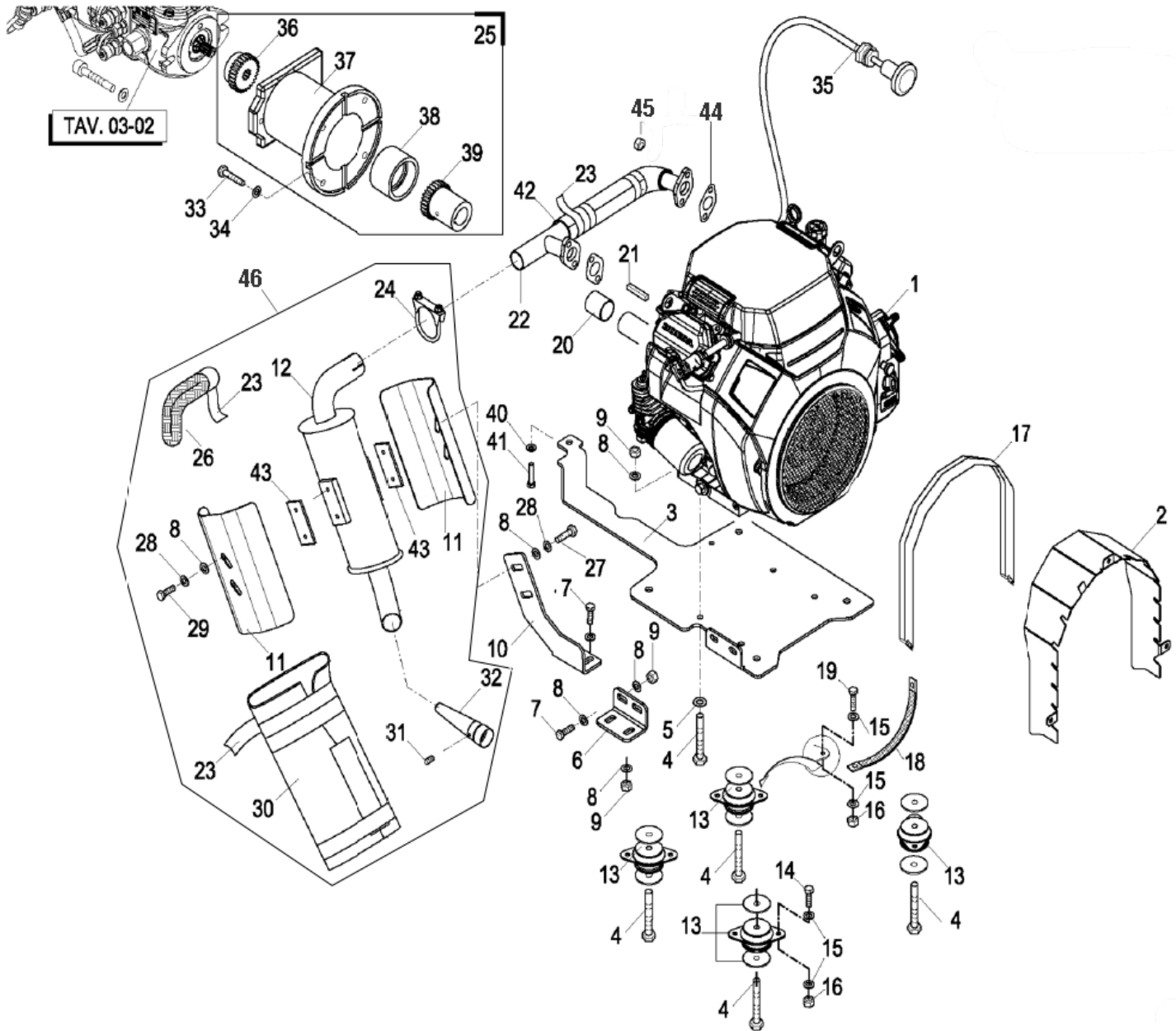
Item	Part #	Description	Qty.
1	15101373	OIL TANK	1
2	03160006	WASHER	4
3	13166000	PLUG	3
4	13153900	JUNCTION	1
5	15101265	COVERING	1
6	03491002	O.R. RING	1
7	13572402	COLLAR	2
8	13150036	REDUCTION	3
9	066015	WASHER	3
10	069939	WASHER	2
11	065259	FILTER, ELEMENT SUCTION	1
12	98080003	OIL TANK KIT	1
13	98080004	KIT COLLAR	1
14	98080005	FILTER KIT, RETURN	1
15	065586	LEVEL-LOADING PLUG	1
16	070065	FSTN, SCREW M8x30 8.8	2
17	068655	WASHER	4
18	45070727	SPACER	2
19	03365100	FSTN, NUT M8	2
20	03231050	FSTN, SCREW M8x45 8.8	2
21	03385600	WASHER	2
22	03220401	FSTN, SCREW M6x16 8.8	6
23	03385600	WASHER	8
24	065258	FILTER, HEAD/CARTRIDGE FOR RETURN	1
-	62009962	FILTER, CARTRIDGE ELEMENT FOR RETURN	1
25	03160006	WASHER	1
26	13152900	JUNCTION	1
27	03220601	FSTN, SCREW M6x20 8.8	2

NOTE: FULL AT12, AT14 FILTER ELEMENT SERVICE KIT PN 082067

- 064831 (ENG OIL FILTER)
- 064832 (ENG AIR FILTER)
- 064833 (FUEL FILTER)
- 065259 (HYD SUCTION FILTER)
- 62009962 (HYD RETURN CARTRIDGE ELEMENT)

SECTION 1 PARTS

Engine Assembly Illustration



NOTE: AT14 Muffler/Collector replacement Kit (080615), Ref items 46 & 22.

1. 080616 (Manifold/Collector)
2. 080617 (Flex Tube for Exhaust. Collector to Muffler connection)
3. 080618 (Muffler)
4. 080619 (Clamp, Washer, and Nut Package)
5. 080724 (Thermic Fiberglass Band 50" x 3" Tmax = 1000°C)

This Kit adds a new Flex Tube component (not shown) connecting item 22 to item 12.

NOTE: FULL AT12, AT14 FILTER ELEMENT SERVICE KIT PN 082067

- 064831 (ENG OIL FILTER)
- 064832 (ENG AIR FILTER)
- 064833 (FUEL FILTER)
- 065259 (HYD SUCTION FILTER)
- 62009962 (HYD RETURN CARTRIDGE ELEMENT)

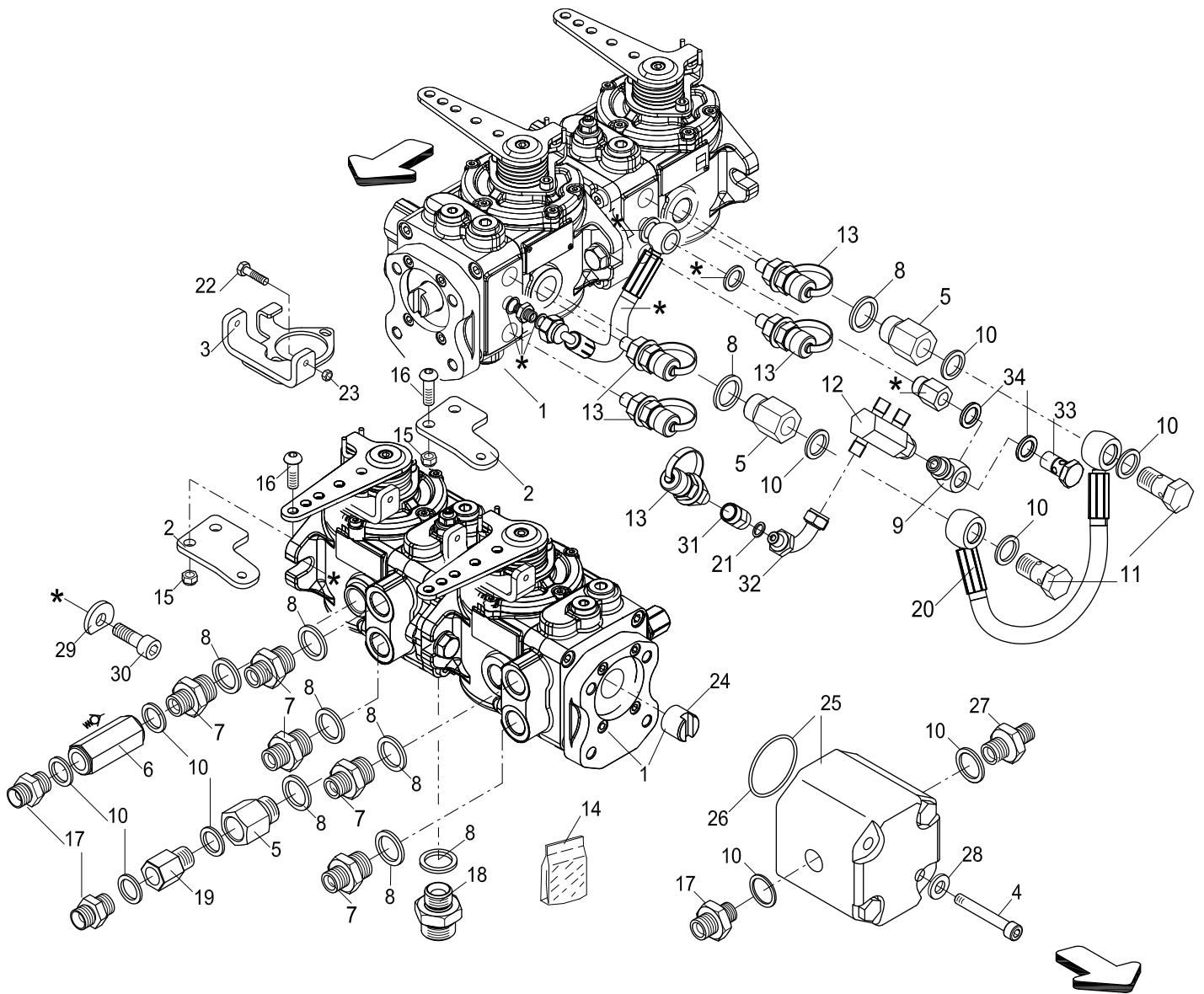
Engine Assembly Parts List

SECTION 1 PARTS

<i>Item</i>	<i>Part #</i>	<i>Description</i>	<i>Qty.</i>
1	081159	ENGINE, GX630	1
2	065831	CONVEYOR	1
3	20051907	MOTOR BASE	1
4	03231111	FSTN, SCREW M8x50 8.8	8
5	03385201	WASHER	4
6	074070	CLAMP	1
7	069925	SCREW	4
8	069020	WASHER	16
9	03365101	FSTN, NUT M8	8
10	074069	CLAMP	1
11	069021	CLAMP	2
12	-	MUFFLER (OLD 069022)	1
13	065587	VIBRATION-DAMPING	4
14	03220601	FSTN, SCREW M6x20 8.8	7
15	068666	WASHER	16
16	03364004	FSTN, NUT M6	8
17	065832	GASKET, L.800	1
18	13467900	EARTHING CABLE	1
19	03220701	FSTN, SCREW M6x25 8.8	1
20	45020371	SPACER	1
21	03415001	KEY	1
22	080616	COLLECTOR (OLD 069488)	1
23	069023	ADHESIVE TAPE	1
24	068125	COLLAR	1
25	065260	COUPLER	1
26	068126	PROTECTION	1
27	069925	FSTN, SCREW M8x25 8.8	2
28	069026	WASHER	4
29	069027	FSTN, SCREW M8x10 8.8	2
30	069028	PANEL	1
31	03217504	SCREW	1
32	13009604	KIT SPARK ARRESTER	1
33	03237553	FSTN, SCREW 5/16"-24 x 1"1/4	4
34	03385050	WASHER	4
35	067562	CHOKE CABLE	1
36	63529618	HUB	1
37	63529617	MOUNTING	1
38	63529620	SLEEVE	1
39	63529619	HUB	1
40	03385050	WASHER	1
41	03230501	SCREW	1
42	069489	PROTECTION	1
43	069029	PANEL	2
44	069490	DISCHARGE GASKET	2
45	069491	NUT	4
46	080618	MUFFLER ASSEMBLY (OLD 068127)	-

SECTION 1 PARTS

Hydraulic Pump Assembly Illustration



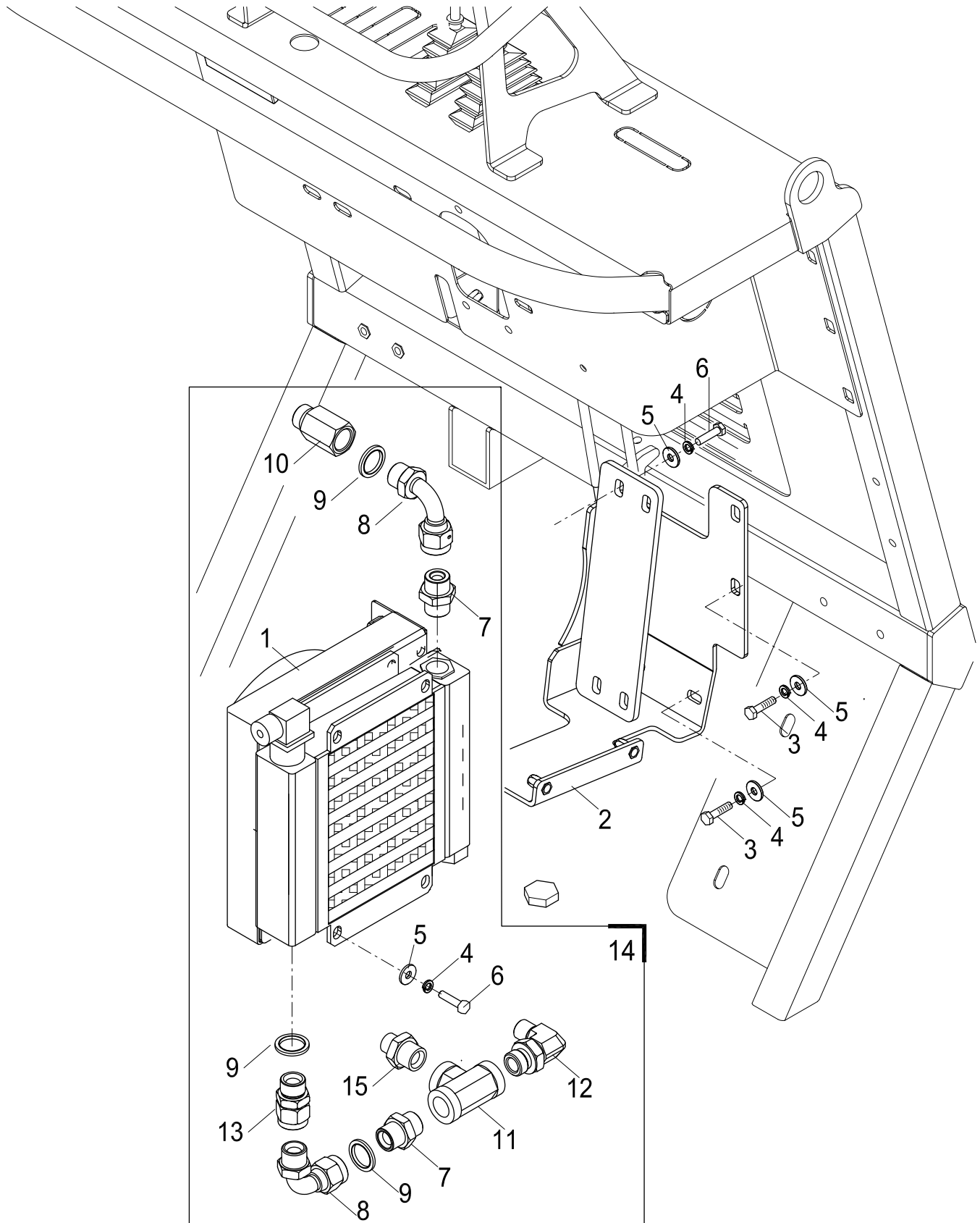
Hydraulic Pump Assembly Parts List

SECTION 1 PARTS

Item	Part #	Description	Qty.
1	065262	PUMP	1
2	25150273	CONTROL DEVICE	2
3	25150285	ADJUSTER	2
4	03235280	FSTN, SCREW M8x80 8.8	2
5	13154200	CONNECTOR	3
6	13843001	VALVE	1
7	13153900	CONNECTOR	4
8	03160006	WASHER	9
9	03150303	CONNECTOR	1
10	03160902	WASHER	10
11	03150600	SCREW	2
12	03635007	CONNECTOR	1
13	065589	CHECKING COUPLING	5
14	065261	KIT - SEALS	1
15	03365150	FSTN, NUT M8	4
16	03237702	FSTN, SCREW M8x25 8.8	4
17	13152800	JUNCTION	3
18	13154000	CONNECTOR	1
19	03621100	CONNECTOR	1
20	03123401	PIPE	1
21	03160900	WASHER	1
22	03220601	FSTN, SCREW M6x20 8.8	4
23	03364003	FSTN, NUT M6	4
24	065591	JOINT, FRONT 5-8	1
25	065263	PUMP	1
26	065592	O.R. RING	1
27	13154010	REDUCTION	1
28	03385000	WASHER, 8,1x14,2x2	2
29	45071165	WASHER, 10,5x28x4	2
30	03244902	FSTN, SCREW M10x30 12.9	2
31	03620202	CONNECTOR	1
32	03600009	ELBOW	1

SECTION 1 PARTS

Hydraulic Cooler Assembly Illustration



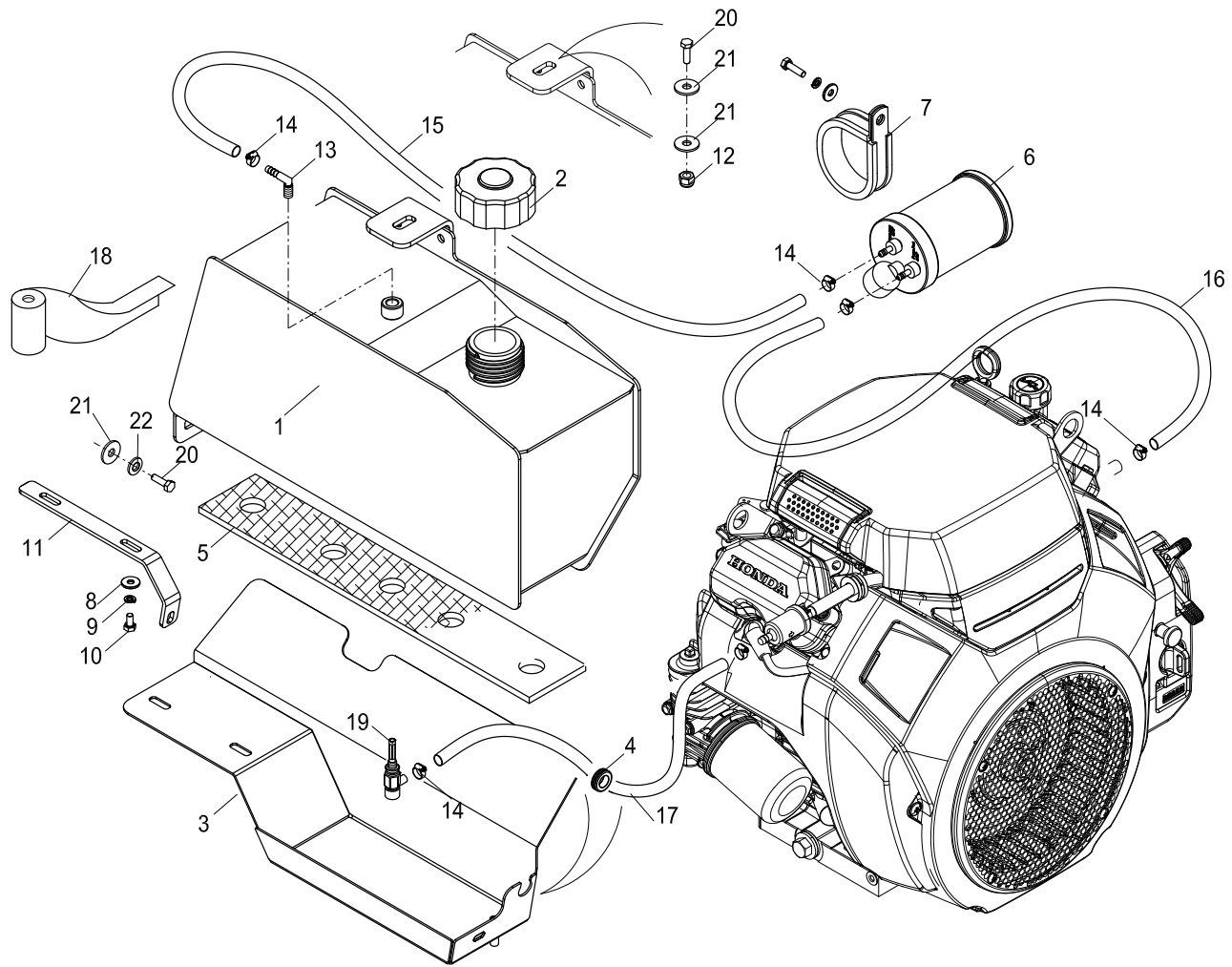
Hydraulic Cooler Assembly Parts List

SECTION 1 PARTS

<i>Item</i>	<i>Part #</i>	<i>Description</i>	<i>Qty.</i>
1	073500	RADIATOR	1
2	45155465	SUPPORT	1
3	03220701	FSTN, SCREW M6x25 8.8	4
4	069939	WASHER, 6,1x11,1x1,6	10
5	069938	WASHER, 6,6x18x2	10
6	03220601	FSTN SCREW M6x20 8.8	4
7	13152900	JUNCTION	2
8	03606000	ELBOW	2
9	03160006	WASHER	3
10	03628100	CONNECTOR	1
11	03639800	JUNCTION	1
12	13161211	CONNECTOR	1
13	13152600	JUNCTION	1
14	98080006	KIT RADIATOR	1
15	13153900	JUNCTION	1

SECTION 1 PARTS

Fuel Tank Assembly Illustration



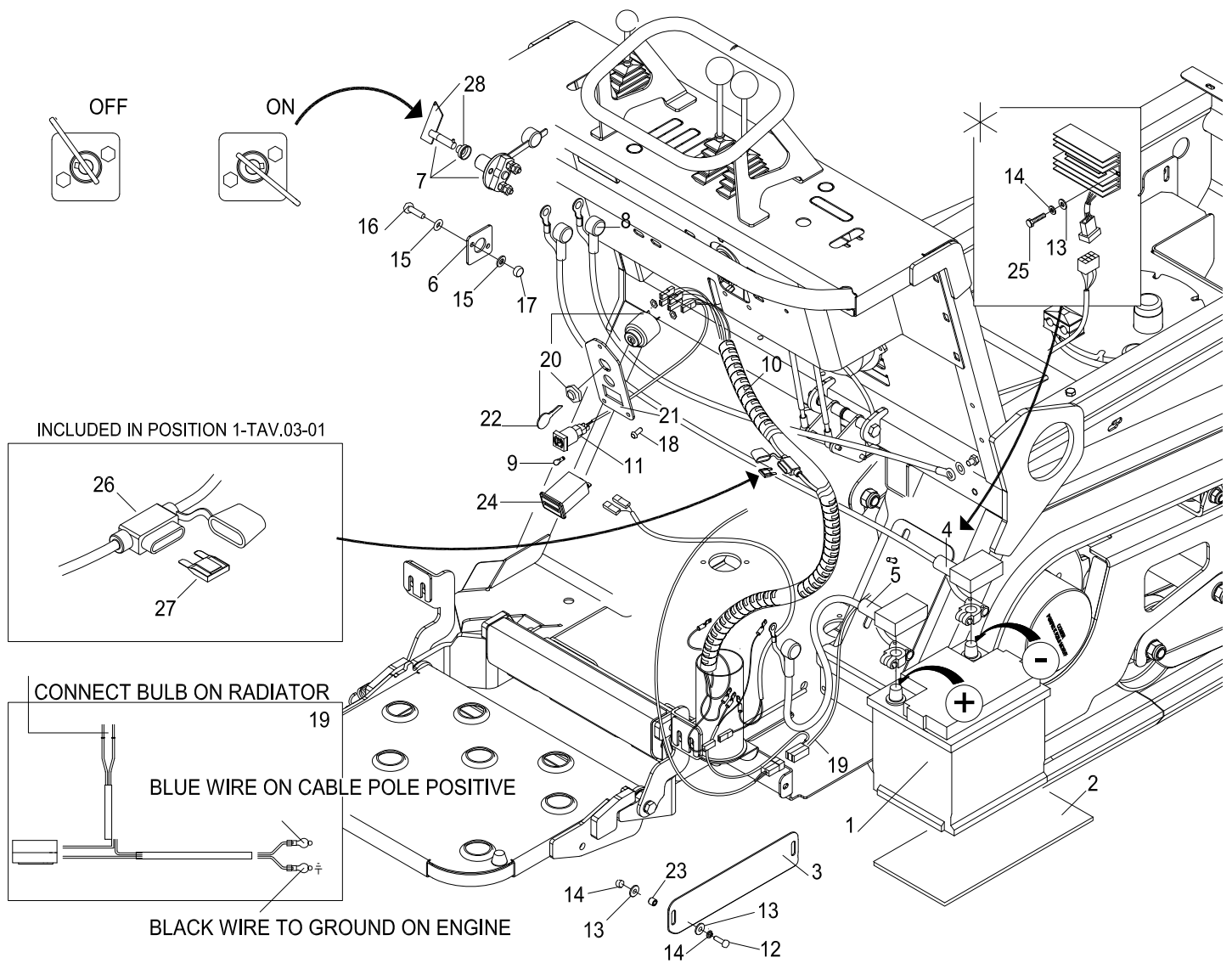
Fuel Tank Assembly Parts List

SECTION 1 PARTS

<i>Item</i>	<i>Part #</i>	<i>Description</i>	<i>Qty.</i>
1	15101393	FUEL TANK	1
2	065593	PLUG	1
3	15101405	PANEL	1
4	03480021	FAIRLEAD	1
5	30322212	PANEL	1
6	066433	CARBON CANISTER	1
7	13572444	COLLAR	1
8	069938	WASHER	2
9	069939	WASHER, 6,1x11,1x1,6	2
10	03220200	FSTN, SCREW M6x12 8.8	2
11	15101425	PLATE	1
12	03365100	FSTN, NUT M8	3
13	33140028	CONNECTOR	1
14	13577901	CLAMP	6
15	25170177	PIPE, 4.7x 11.1 L.650	1
16	25170176	PIPE, 11.1x 22.2 L.800	1
17	25170178	PIPE, 6.3x 12.7 L.450	1
18	069023	ADHESIVE TAPE	1
19	13008905	TAP	1
20	069925	FSTN, SCREW M8x25 8.8	3
21	068655	WASHER, 8,4x24x2	4
22	03385050	WASHER	2

SECTION 1 PARTS

Wiring Assembly Illustration



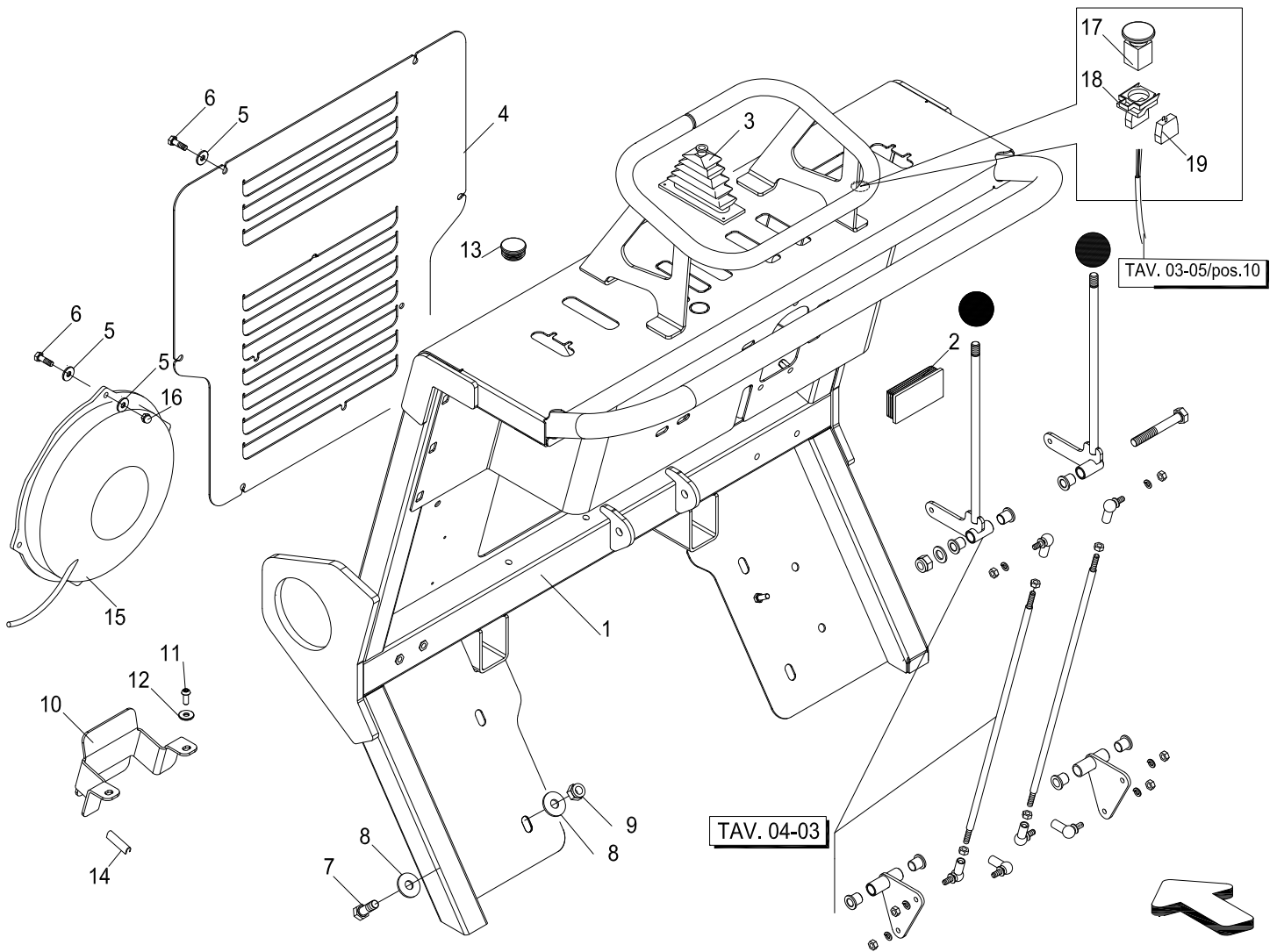
Wiring Assembly Parts List

SECTION 1 PARTS

<i>Item</i>	<i>Part #</i>	<i>Description</i>	<i>Qty.</i>
1	03010017	BATTERY	1
2	30013521	PROTECTION	1
3	069936	CLAMP	1
4	60031668	NEGATIVE POLE CABLE	1
5	60031669	POSITIVE POLE CABLE	1
6	60020116	FLANGE	1
7	065264	BATTERY DISCONNECTING DEVICE	1
8	60031667	NEGATIVE POLE CABLE	1
9	03480601	LAMP	1
10	070058	CABLE	1
11	33482061	WARNING LIGHT	1
12	069937	FSTN, SCREW M6x20 A2	2
13	069938	WASHER, 6,6x18x2	2
14	069939	WASHER, 6,1x11,1x1,6	2
15	068667	FSTN, NUT M6	4
16	03220701	FSTN, SCREW M6x25 8.8	2
17	068667	FSTN, NUT M6	4
18	03227700	FSTN, SCREW M6x16 4.6	3
19	60031756	ELECTRIC SYSTEM	1
20	065265	STARTING SWITCH	1
21	60020128	PLATE	1
22	60031672	ELECTRIC SYSTEM	1
23	069940	SPACER	2
24	065625	HOUR COUNTER	1
25	02330800	SCREW	2
26	03489504	FUSE CARRIER	1
27	72482407	FUSE	1
28	070053	KEY	1

SECTION 1 PARTS

Operator Console Assembly Illustration



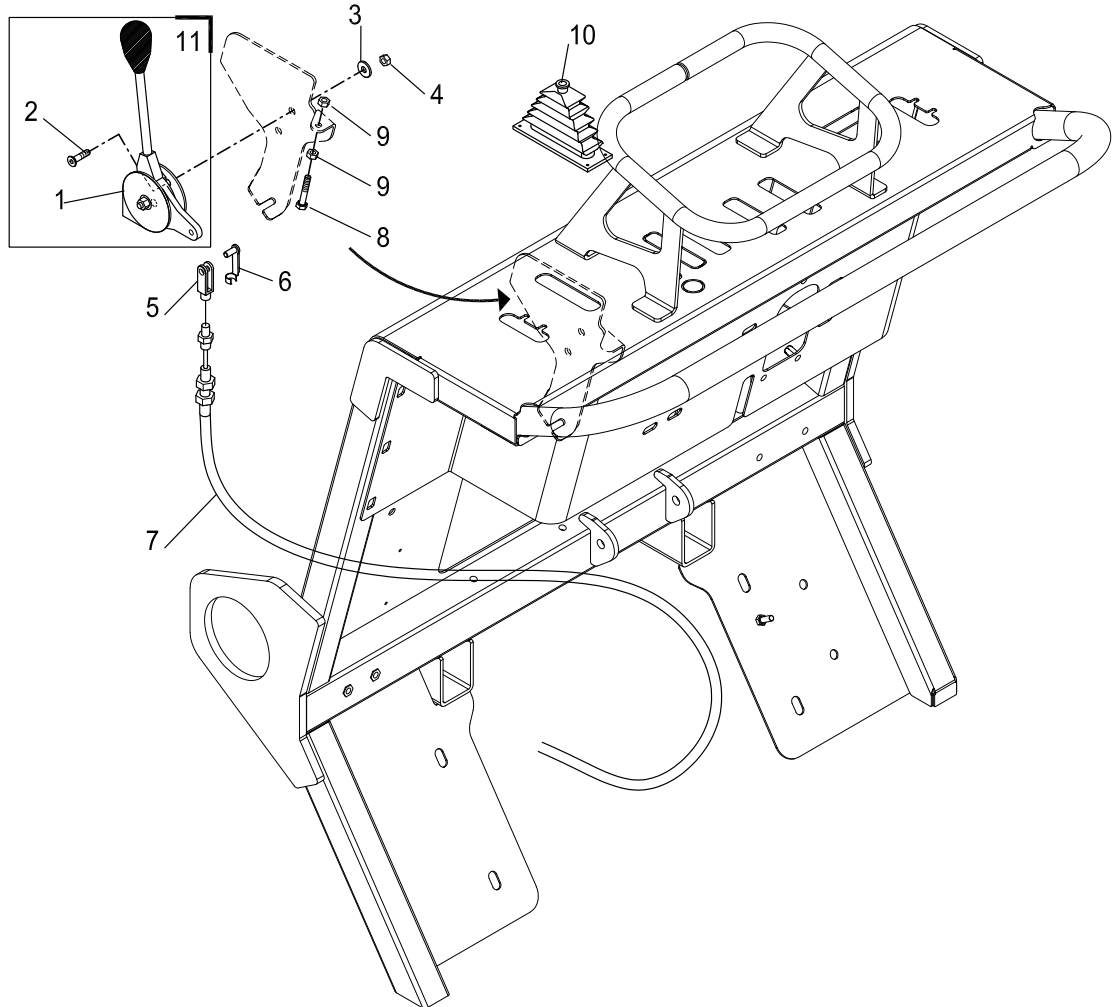
Operator Console Assembly Parts List

SECTION 1 PARTS

<i>Item</i>	<i>Part #</i>	<i>Description</i>	<i>Qty.</i>
1	55030821	FRAME - DRIVING PLACE	1
2	13480010	PLUG	1
3	065266	PROTECTION	3
4	30014950	PROTECTION	1
5	069938	WASHER, 6,6x18x2	14
6	03227702	FSTN, SCREW M6x20 4.6	10
7	03240501	FSTN, SCREW M10x30 8.8	6
8	03386011	WASHER, 11x30x2,5	12
9	03366300	FSTN, NUT M10	6
10	30014864	CLAMP	1
11	03227700	FSTN, SCREW M6x16 4.6	2
12	069938	WASHER, 6,6x18x2	2
13	13480200	PLUG	2
14	30014864	CLAMP	1
15	070708	ELECTRIC FAN	1
16	068667	FSTN, NUT M6	4
17	065274	PUSH BUTTON	1
18	067566	CONTACT	1
19	067565	CONTACT SUPPORT	1

SECTION 1 PARTS

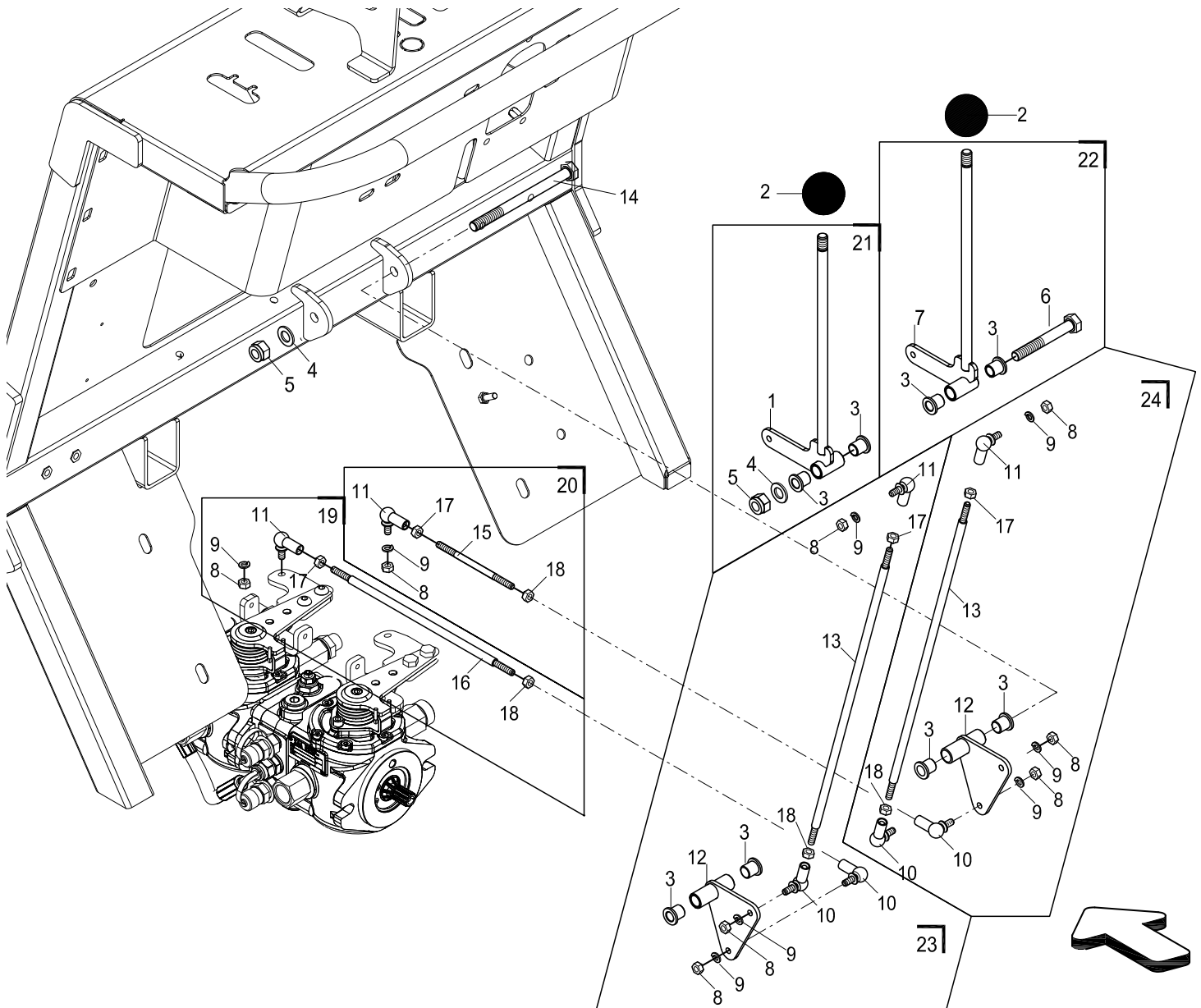
Throttle Assembly Illustration



<i>Item</i>	<i>Part #</i>	<i>Description</i>	<i>Qty.</i>
1	065267	HAND-LEVER	1
2	03227520	FSTN, SCREW M6x25 10.9	2
3	069938	WASHER, 6,6x18x2	2
4	068667	FSTN, NUT M6	2
5	071906	FORK	1
6	071907	PIN	1
7	065268	CABLE	1
8	03220901	FSTN, SCREW M6x35 8.8	1
9	03364001	FSTN, NUT M6 (5588)	2
10	065266	PROTECTION	1
11	071909	KIT HAND-LEVER	1

SECTION 1 PARTS

Control Lever Assembly Illustration



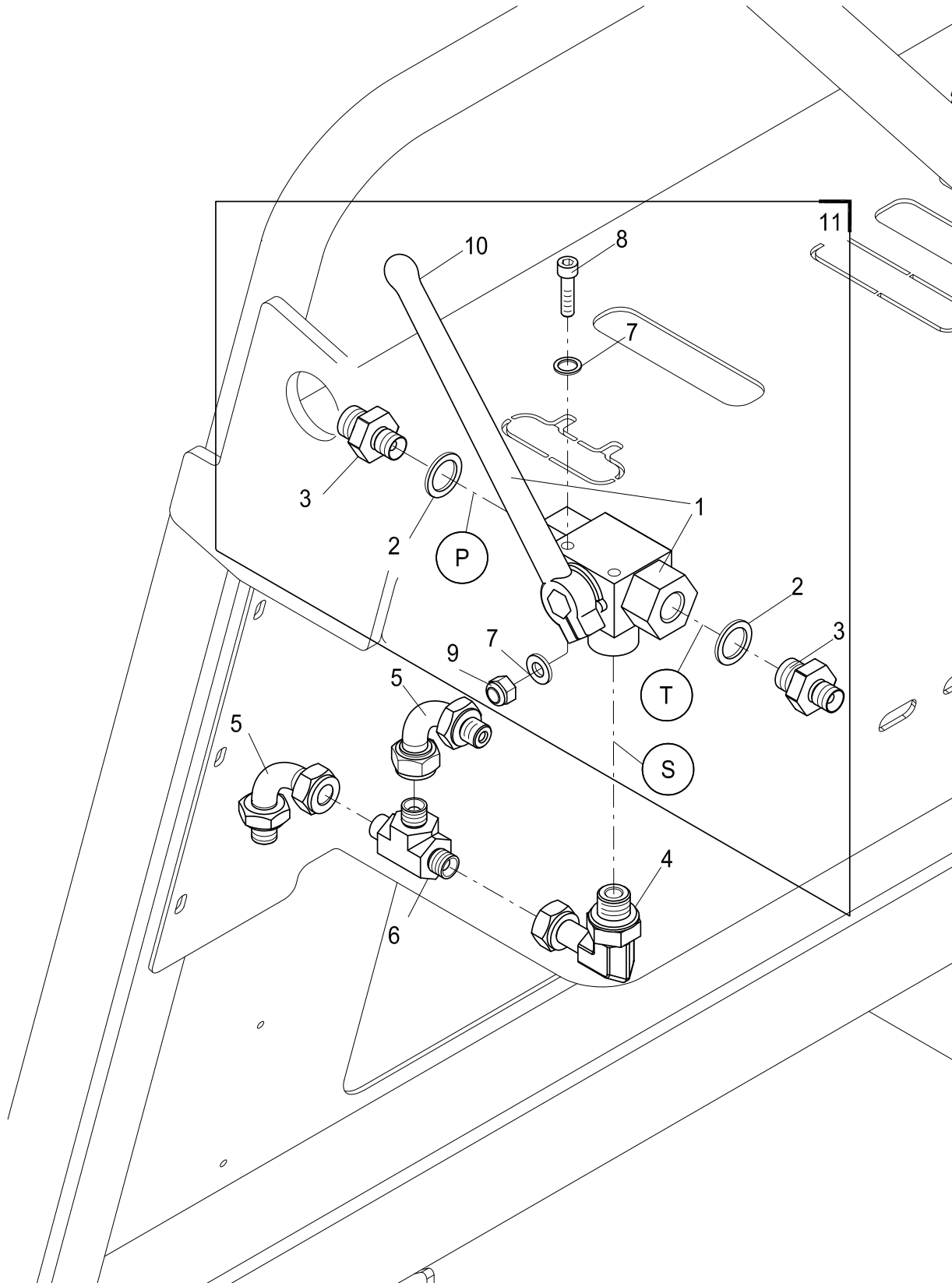
Control Lever Assembly Parts List

SECTION 1 PARTS

<i>Item</i>	<i>Part #</i>	<i>Description</i>	<i>Qty.</i>
1	065574	COMPLETE LEVER, SX TRANSMISSION	1
2	069714	HANDGRIP	2
3	33592601	BUSH	8
4	03386201	WASHER, 10,5x21x2	2
5	03366300	FSTN, NUT M10	2
6	03241700	FSTN, SCREW M10x100 8.8	1
7	065575	COMPLETE LEVER, DX TRANSMISSION	1
8	068667	FSTN, NUT M6	8
9	069939	WASHER, 6,1x11,1x1,6	8
10	065576	LEFT ARTICULATION	4
11	065577	ARTICULATION	4
12	50101182	CONNECTING ROD	2
13	065578	CONTROL LEVER	2
14	03242000	FSTN, SCREW M10x130 8.8	1
15	065579	TIE ROD, L.125	1
16	065580	TIE ROD, L.270	1
17	03364001	FSTN, NUT M6 (5588)	4
18	03364002	LEFT NUT	4
19	98080008	KIT - LINK ROD	1
20	98080009	KIT - LINK ROD	1
21	98080012	TRAVEL LEVER	1
22	98080013	TRAVEL LEVER	1
23	98080010	KIT - LINK ROD	1
24	98080011	KIT - LINK ROD	1

SECTION 1 PARTS

Control Lever Assembly Illustration



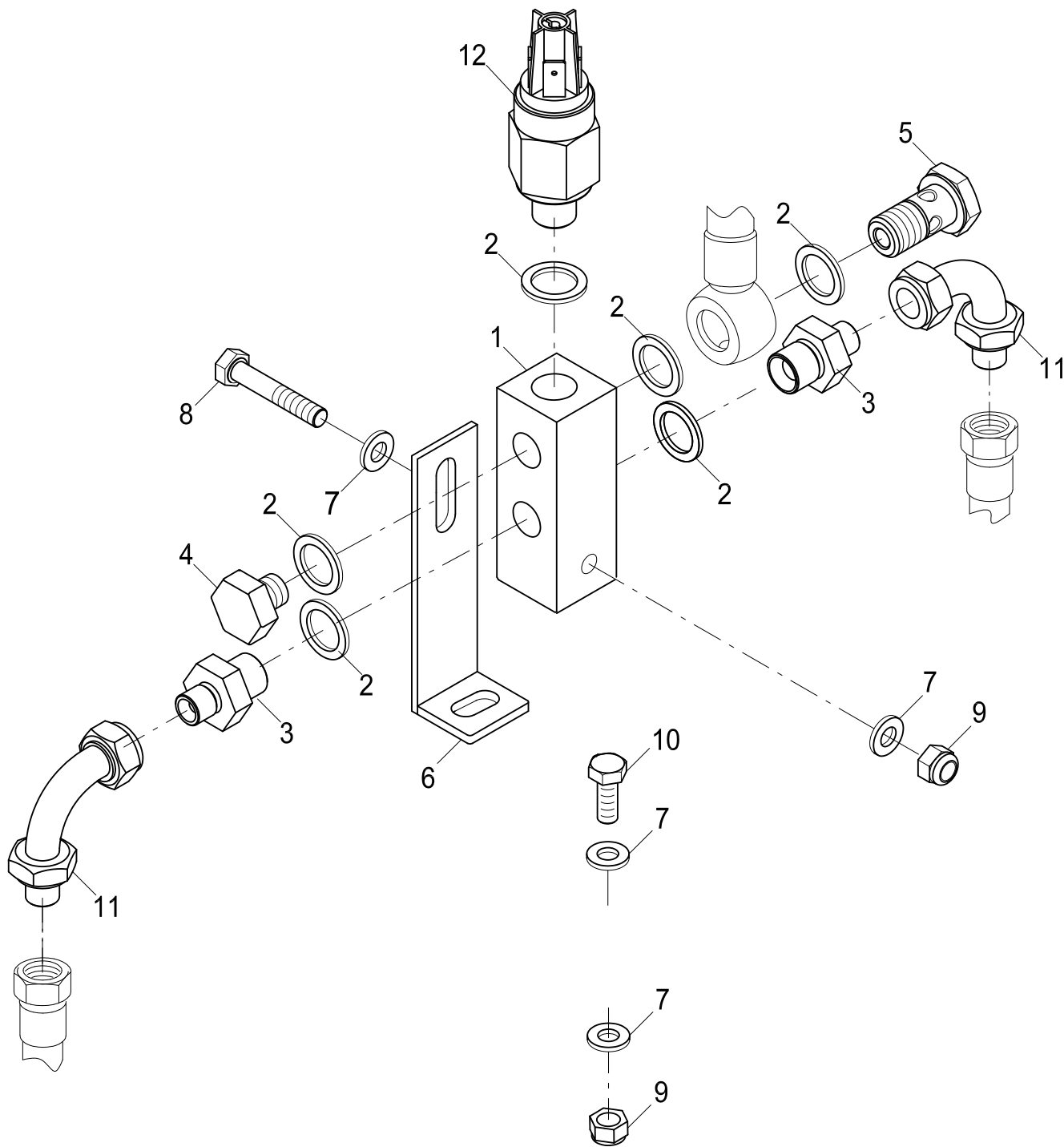
Control Lever Assembly Parts List

SECTION 1 PARTS

Item	Part #	Description	Qty.
1	065581	TAP	1
2	03168500	GASKET	2
3	13150036	CONNECTOR	2
4	13161234	CONNECTOR	1
5	03600009	ELBOW	2
6	03630302	JUNCTION	1
7	03381000	WASHER, 5,3x10x1	4
8	03214600	FSTN, SCREW M5x45 8.8	2
9	03363001	FSTN, NUT M5	2
10	63840000	LEVER	1
11	98080015	KIT LEVER	1

SECTION 1 PARTS

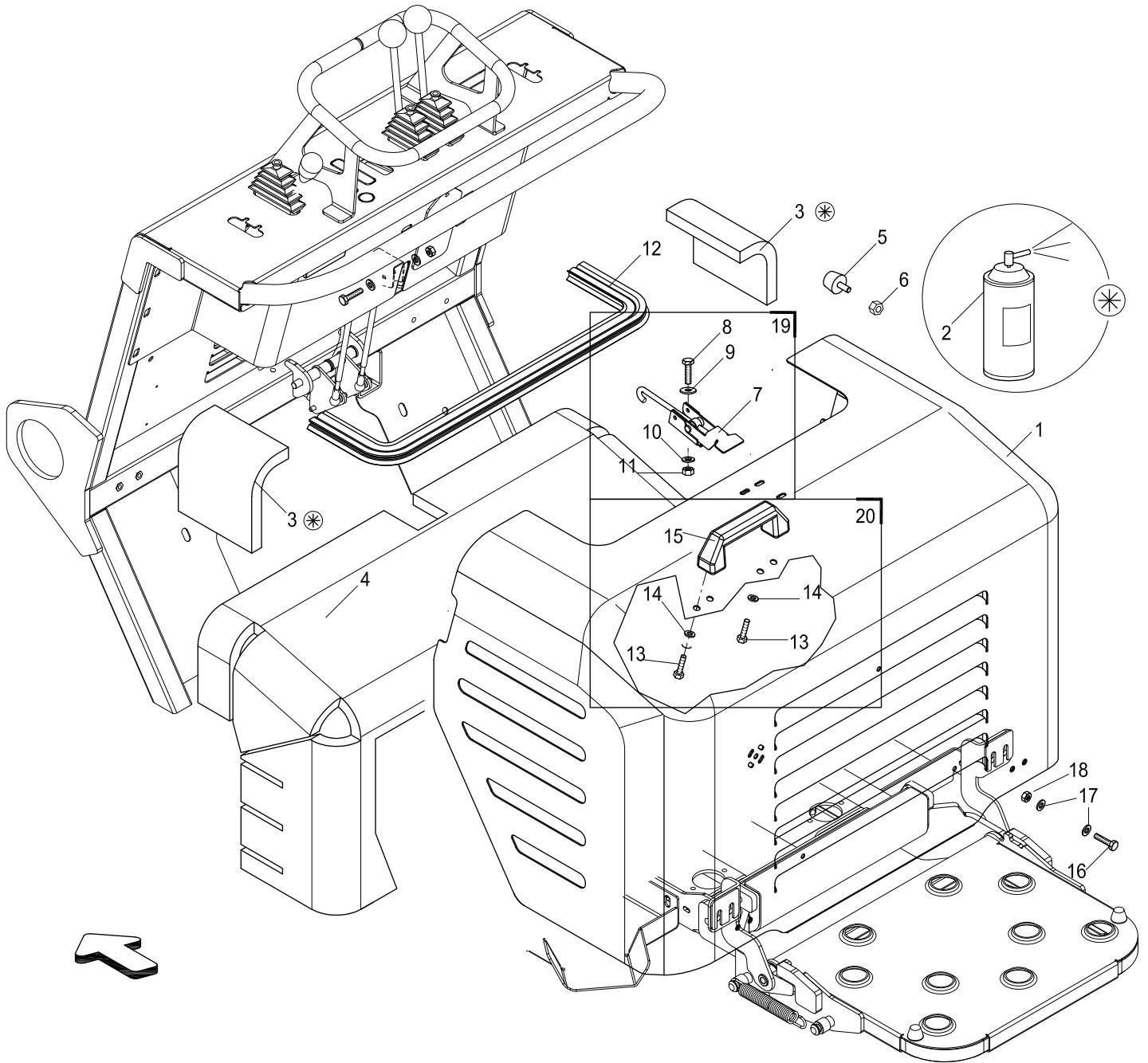
Block Drainages and Servos Illustration



Item	Part #	Description	Qty.
1	25200650	CONNECTOR	1
2	066015	WASHER	6
3	13150036	CONNECTOR	2
4	13166010	PLUG	1
5	03150006	SCREW	1
6	45500134	SUPPORT	1
7	03383202	WASHER, 6,4x12,5x1,6	4
8	03220901	FSTN, SCREW M6x35	1
9	068667	FSTN, NUT M6	2
10	03220401	FSTN, SCREW M6x16 8.8	1
11	03600009	ELBOW	2
12	065582	SWITCH	1

SECTION 1 PARTS

Hood Assembly Illustration



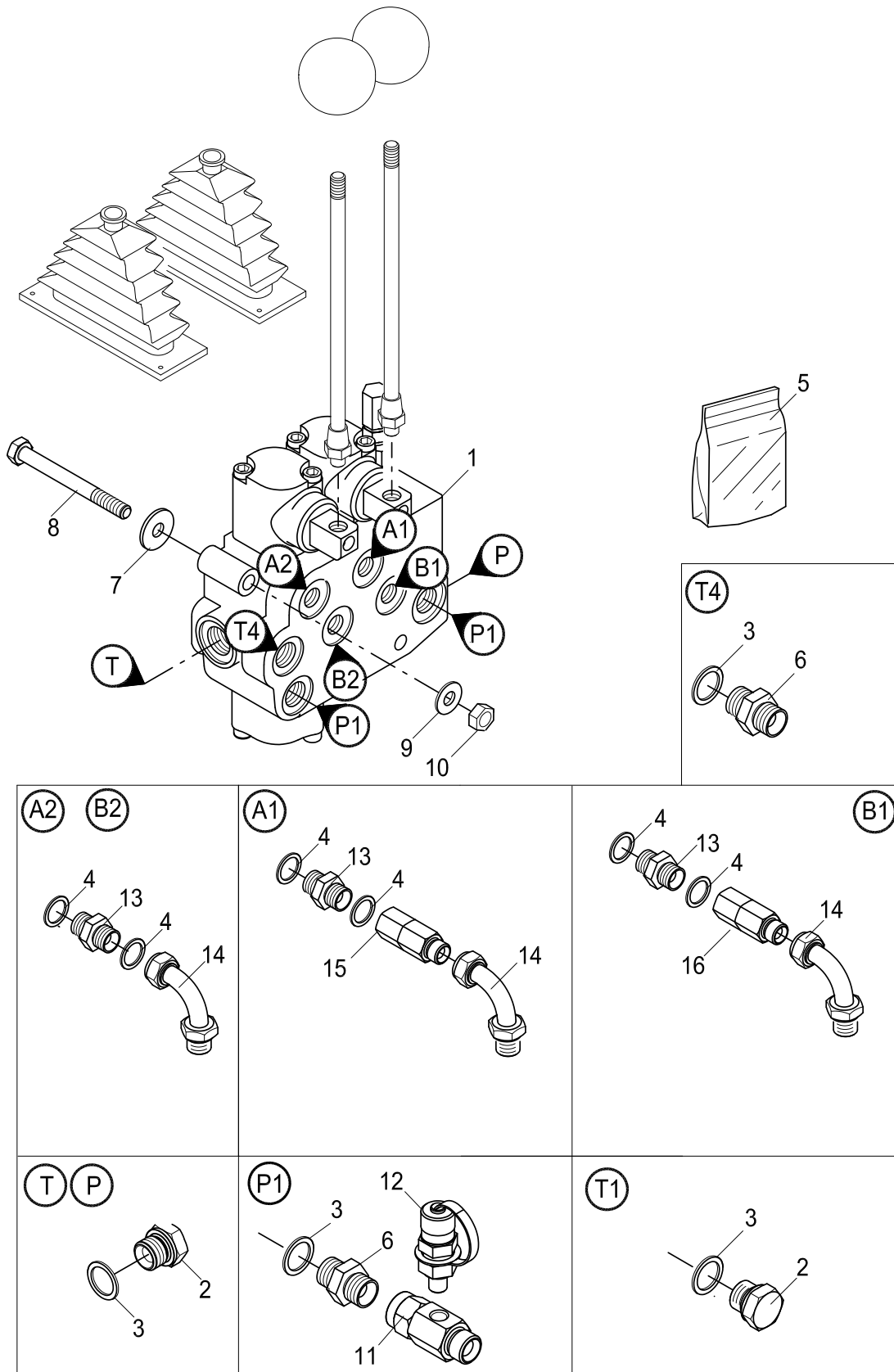
Hood Assembly Parts List

SECTION 1 PARTS

Item	Part #	Description	Qty.
1	065330	HOOD	1
2	069927	ADHESIVE	2
3	065331	ISOLATION	2
4	065332	PANEL	1
5	065583	VIBRATION-DAMPING	2
6	03364001	FSTN, NUT M6	2
7	065269	LOCKING	1
8	03220601	FSTN, SCREW M6x20 8.8	2
9	068666	WASHER, 6,4x12,5x1,6	2
10	069938	WASHER, 6,6x18x2	2
11	068667	FSTN, NUT M6	2
12	065335	GASKET	1
13	03230501	FSTN, SCREW M8x20 8.8	2
14	03385601	WASHER, 9x24x2	2
15	065584	HANDLE	1
16	03230501	FSTN, SCREW M8x20 8.8	4
17	03385600	WASHER, 8,4x17x1,6	8
18	03365100	FSTN, NUT M8	4
19	065333	KIT-LOCKING	1
20	065334	KIT HANDLE	1

SECTION 1 PARTS

Bucket Valve Fitting Assembly Illustration



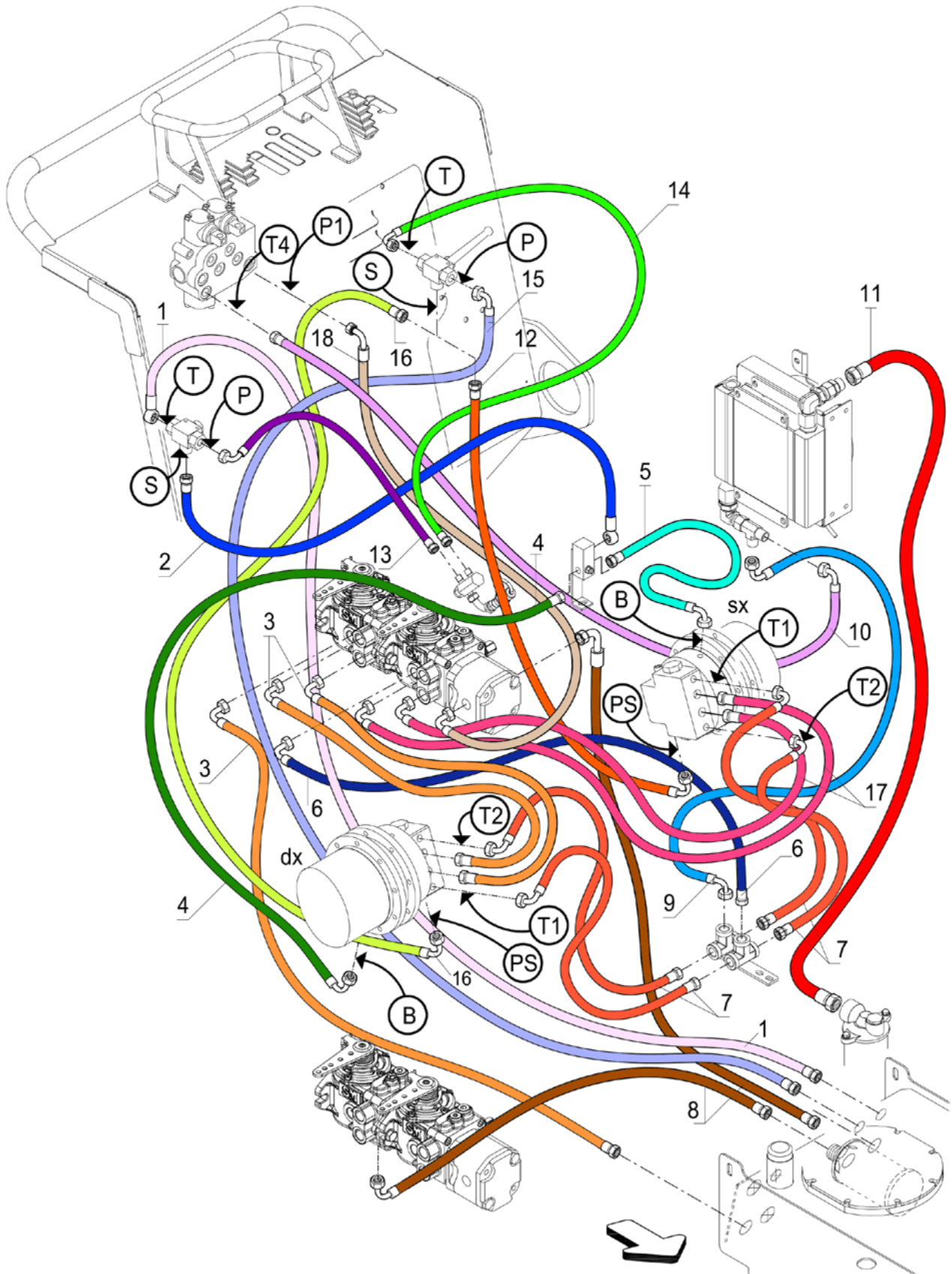
Bucket Valve Fitting Assembly Parts List

SECTION 1 PARTS

Item	Part #	Description	Qty.
1	065624	DISTRIBUTOR	1
2	13160013	PLUG	3
3	03160902	WASHER	5
4	066015	WASHER	4
5	065270	KIT SEALS	1
6	13152800	JUNCTION	2
7	068655	WASHER	2
8	03231301	FSTN, SCREW M8x60 8.8	2
9	03385201	WASHER, 8,4x17x1,6	2
10	03365100	FSTN, NUT M8	2
11	25200603	CONNECTOR	1
12	065589	CHECKING COUPLING	1
13	13152700	JUNCTION	4
14	03605800	ELBOW	4
15	13843506	THROAT	1
16	13843507	VALVE	1

SECTION 1 PARTS

Hydraulic Hose Assembly Illustration



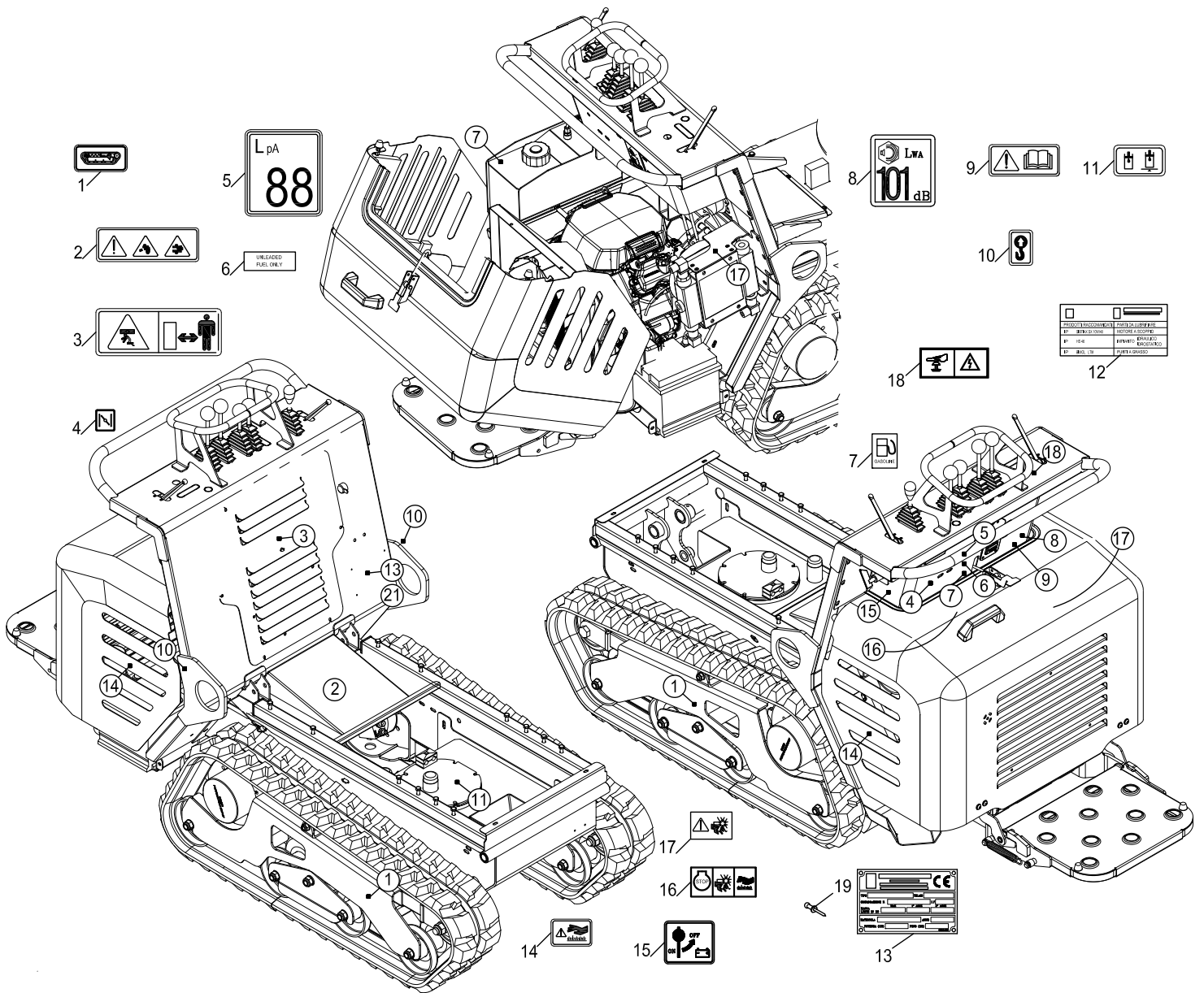
Hydraulic Hose Assembly Parts List

SECTION 1 PARTS

Item	Part #	Description	Qty.
1	03122034	HOSE, 59" 3/16DIA FEMALE 1/4" BSPP- FEMALE 1/8" BSPP	1
2	03122031	HOSE, 39.3" 3/16DIA FEMALE 1/4" BSPP- FEMALE 1/8" BSPP	1
3	03111933	HOSE, 17.7" 3/16DIA FEMALE 3/8" - FEMALE 3/8" 90° BSPP	3
4	03121890	HOSE, 51.1" 3/16DIA FEMALE 3/16" - FEMALE 1/8" 90° BSPP	1
5	03121868	HOSE, 31.5" 3/16DIA FEMALE 3/16" - FEMALE 1/8" 90° BSPP	1
6	03111845	HOSE, 13.7" 3/8DIA FEMALE 3/8" - FEMALE 3/8" 90° BSPP	1
7	03121913	HOSE, 70.8" 3/8DIA FEMALE 3/8" - FEMALE 3/8" 90° BSPP	4
8	03130021	HOSE, 23.6" 3/4DIA FEMALE 3/4" - FEMALE 3/4 90° BSPP	2
9	03111963	HOSE, 27.5" 3/8DIA FEMALE 3/8" - FEMALE 3/8" 90° BSPP	1
10	03111959	HOSE, 43.3" 3/8DIA FEMALE 3/8" - FEMALE 3/8" 90° BSPP	1
11	03111918	HOSE, 45.2" 1/2DIA FEMALE 1/2" - FEMALE 1/2" 90° BSPP	1
12	03121880	HOSE, 47.2" 3/16DIA FEMALE 1/8" - FEMALE 1/4" 90° BSPP	1
13	03121890	HOSE, 51.1" 3/16DIA FEMALE 3/16" - FEMALE 1/8" 90° BSPP	1
14	03121865	HOSE, 39.3" 3/16DIA FEMALE 3/16" - FEMALE 1/8" 90° BSPP	1
15	03121863	HOSE, 47.2" 3/16DIA FEMALE 3/16" - FEMALE 1/8" 90° BSPP	1
16	03121925	HOSE, 63" 3/16DIA FEMALE 1/8" BSPP - FEMALE 1/4" 90° BSPP	1
17	03111846	HOSE, 22.8" 3/8DIA FEMALE 3/8" - FEMALE 3/8" 90° BSPP	2
18	03123200	HOSE, 49.2" 3/8" FEMALE 3/8" 90° - FEMALE 3/8" 90° BSPP	1

SECTION 1 PARTS

Decal Assembly Illustration



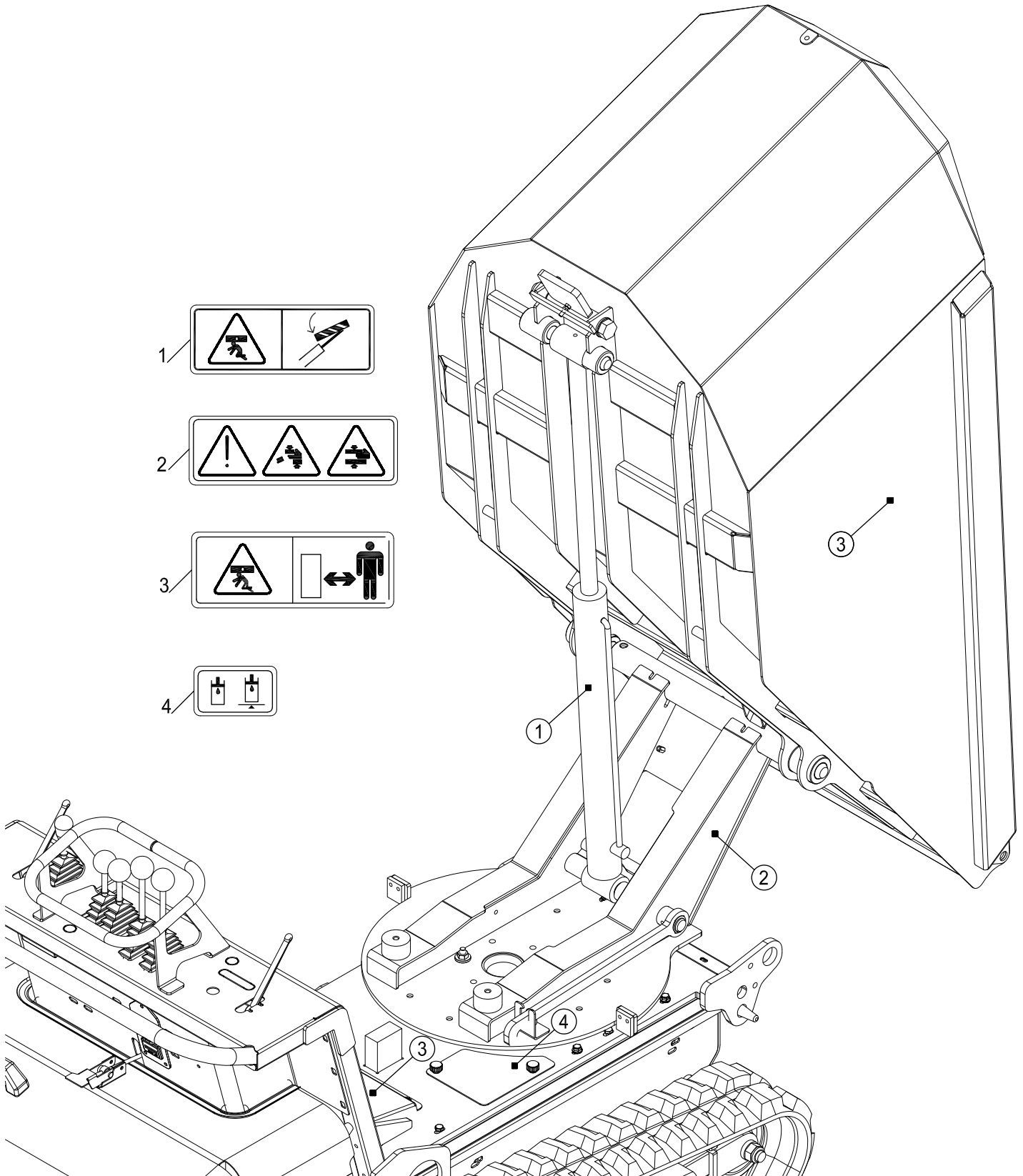
Decal Assembly Parts List

SECTION 1 PARTS

Item	Part #	Description	Qty.
1	03666063	DECAL, ADJUSTING VOLTAGE TRACK	2
2	03660099	DECAL, DANGER OF SHEARING	2
3	03660098	DECAL, DWELL IN ACTION	2
4	03660252	DECAL, STARTER	1
5	03665029	DECAL, LPA 88	1
6	03660177	DECAL, UNLEADED GASOLINE	1
7	03660230	DECAL, GASOLINE	1
8	03665022	DECAL, LWA 101	1
9	03660170	DECAL, REFER TO OPERATOR'S MANUAL	1
10	03666024	DECAL, LIFTING MACHINE	2
11	03666066	DECAL, HYDRAULIC	1
12	03664406	DECAL, LUBRICANT	1
13	03664801	SERIAL NUMBER LABEL	1
14	03660192	DECAL, BURN HAZARD	1
15	03660160	DECAL, ARM-DISARM BATTERY	1
16	03666312	DECAL, STOP ENGINE BEFORE OPENING THE HOOD	1
17	03660169	DECAL, DANGER ROTATING FAN	1
18	03664970	DECAL, PRESS THE BUTTON EMERGENCY BEFORE OPENING THE HOOD	1
19	03449900	RIVET	4

SECTION 1 PARTS

Decal Assembly Illustration (cont'd)



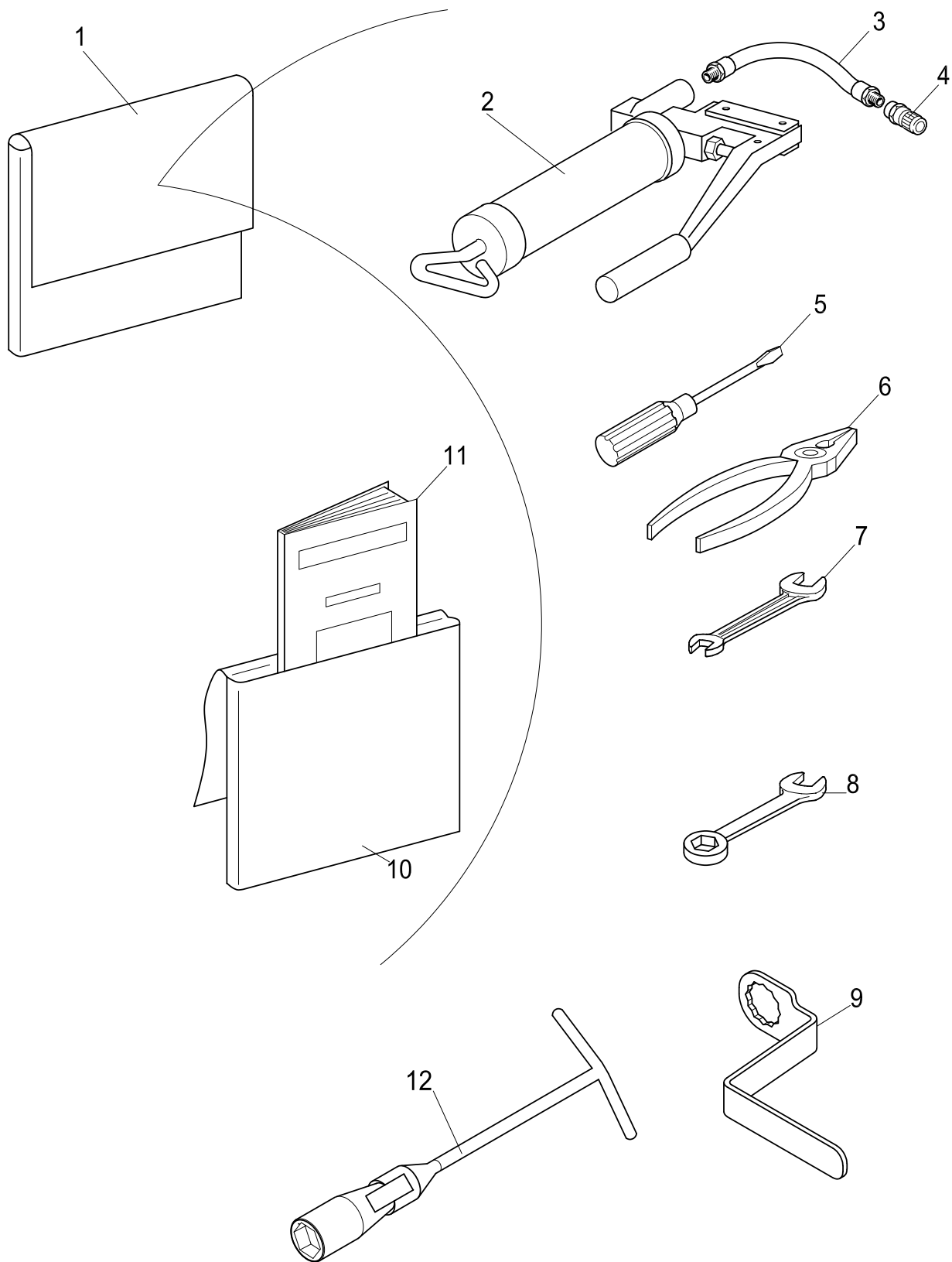
Decal Assembly Parts List (cont'd)

SECTION 1 PARTS

Item	Part #	Description	Qty.
1	03660062	DECAL, ENTERING FIXED POINT	1
2	03660099	DECAL, DANGER OF SHEARING	2
3	03660098	DECAL, DWELL IN ACTION	1
4	03666066	DECAL, HYDRAULIC	1

SECTION 1 PARTS

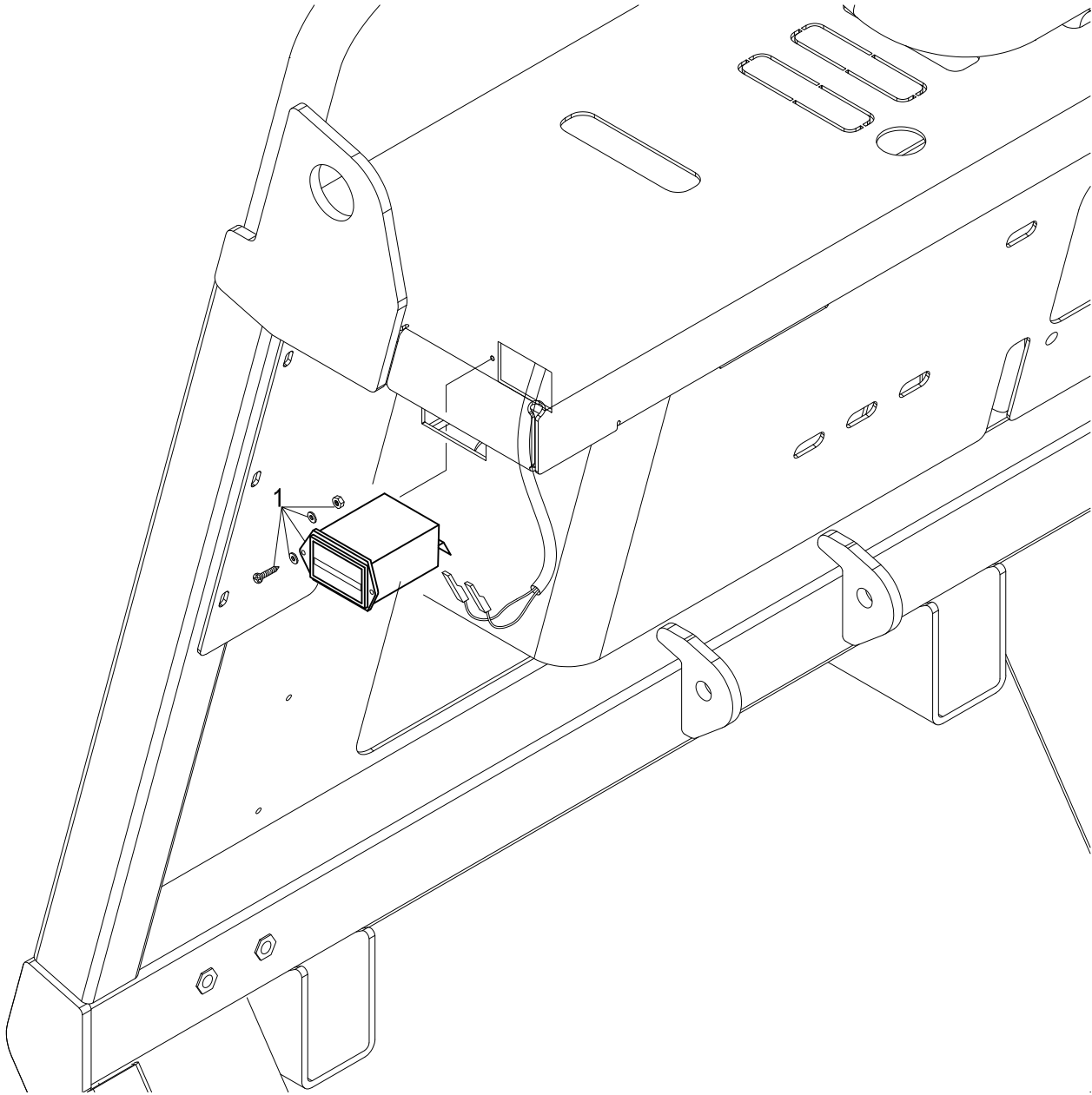
Maintenance Tools Illustration



Item	Part #	Description	Qty.
1	069928	HOLDER	1
2	03519600	GREASING PUMP	1
3	03519800	PIPE	1
4	03519900	HEAD	1
5	03572000	SCREWDRIVER	1
6	03572300	NIPPER	1
7	069929	KEY 10-13 mm	1
8	069930	KEY	1
9	069931	KEY	1
10	069932	HOLDER	1
11	065300	PARTS CATALOG	1
12	069933	KEY	1

SECTION 1
PARTS

Hourmeter Illustration



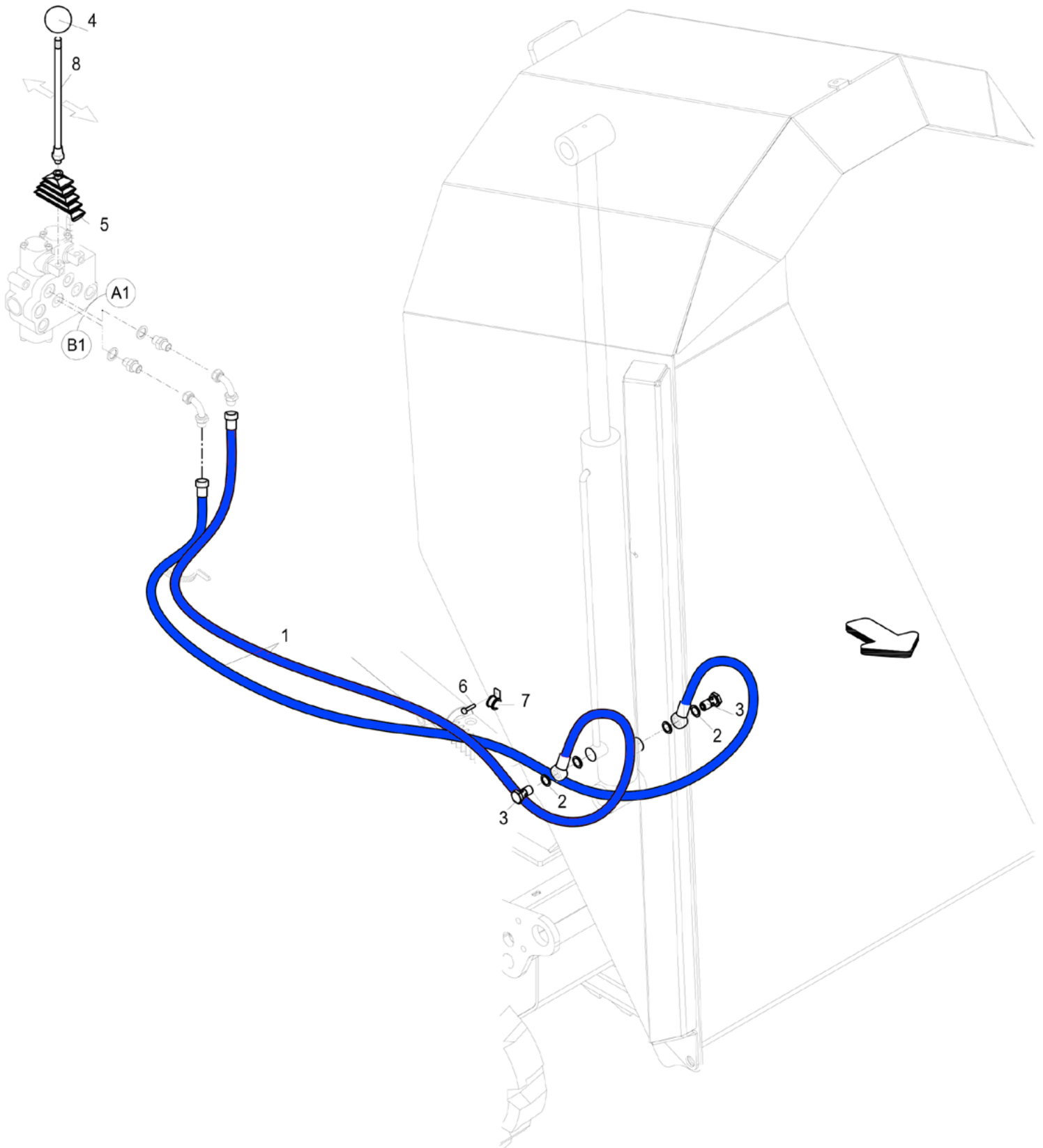
Hourmeter Parts List

SECTION 1 PARTS

Item	Part #	Description	Qty.
1	065625	HOURMETER	1

SECTION 1 PARTS

Bucket Hydraulic Cylinder Assembly Illustration



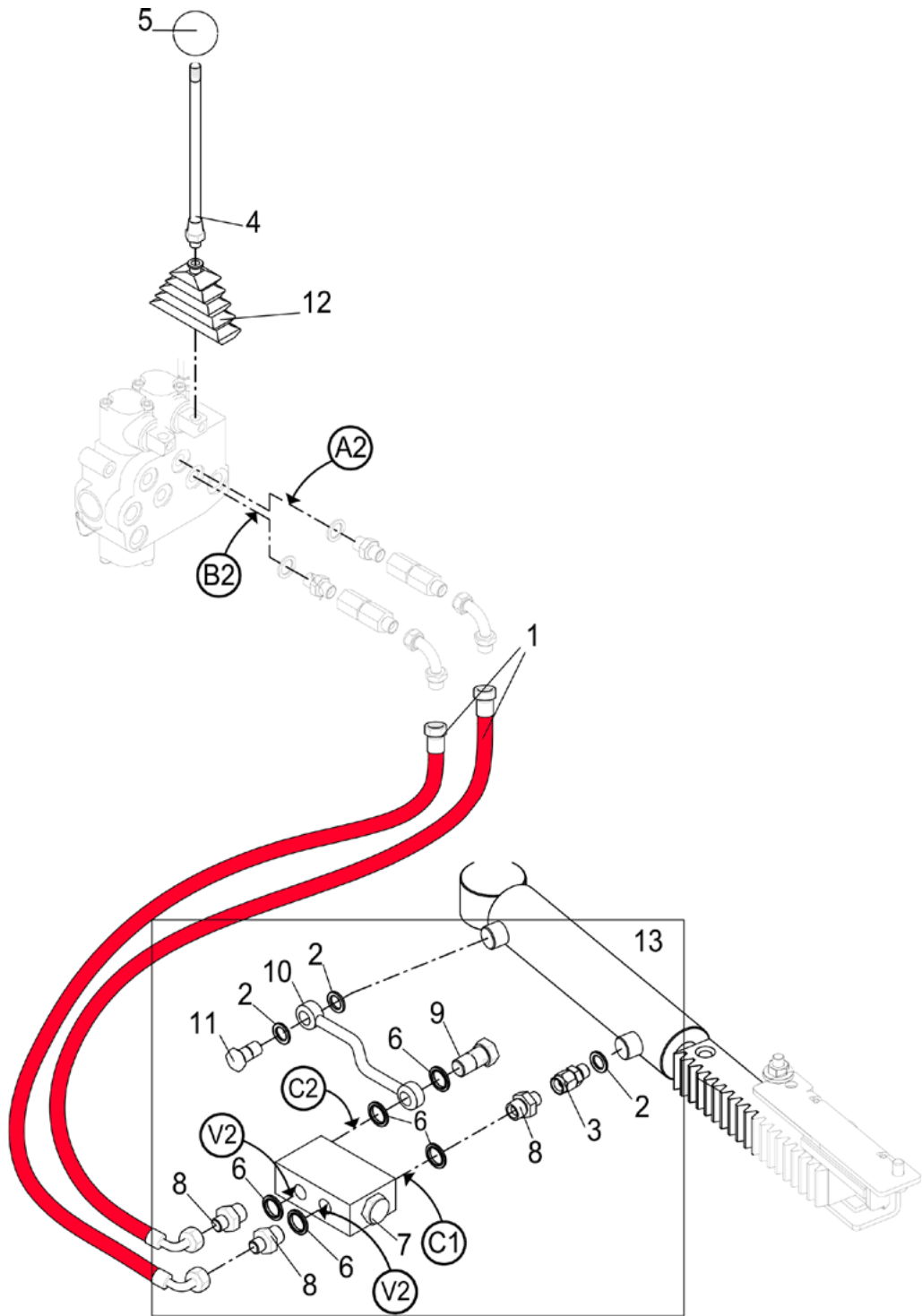
Bucket Hydraulic Cylinder Assembly Parts List

SECTION 1 PARTS

Item	Part #	Description	Qty.
1	068703	HOSE, 106.2" 1/4DIA OCCH - FEMALE 1/4" BSPP	2
2	066015	WASHER	4
3	03150006	SCREW	2
4	03581403	BALL	1
5	065266	PROTECTION	1
6	03220902	FSTN, SCREW M6x40 8.8	2
7	13572414	COLLAR	2
8	065637	LEVER	1

SECTION 1 PARTS

Swivel Hydraulic Cylinder Assembly Illustration



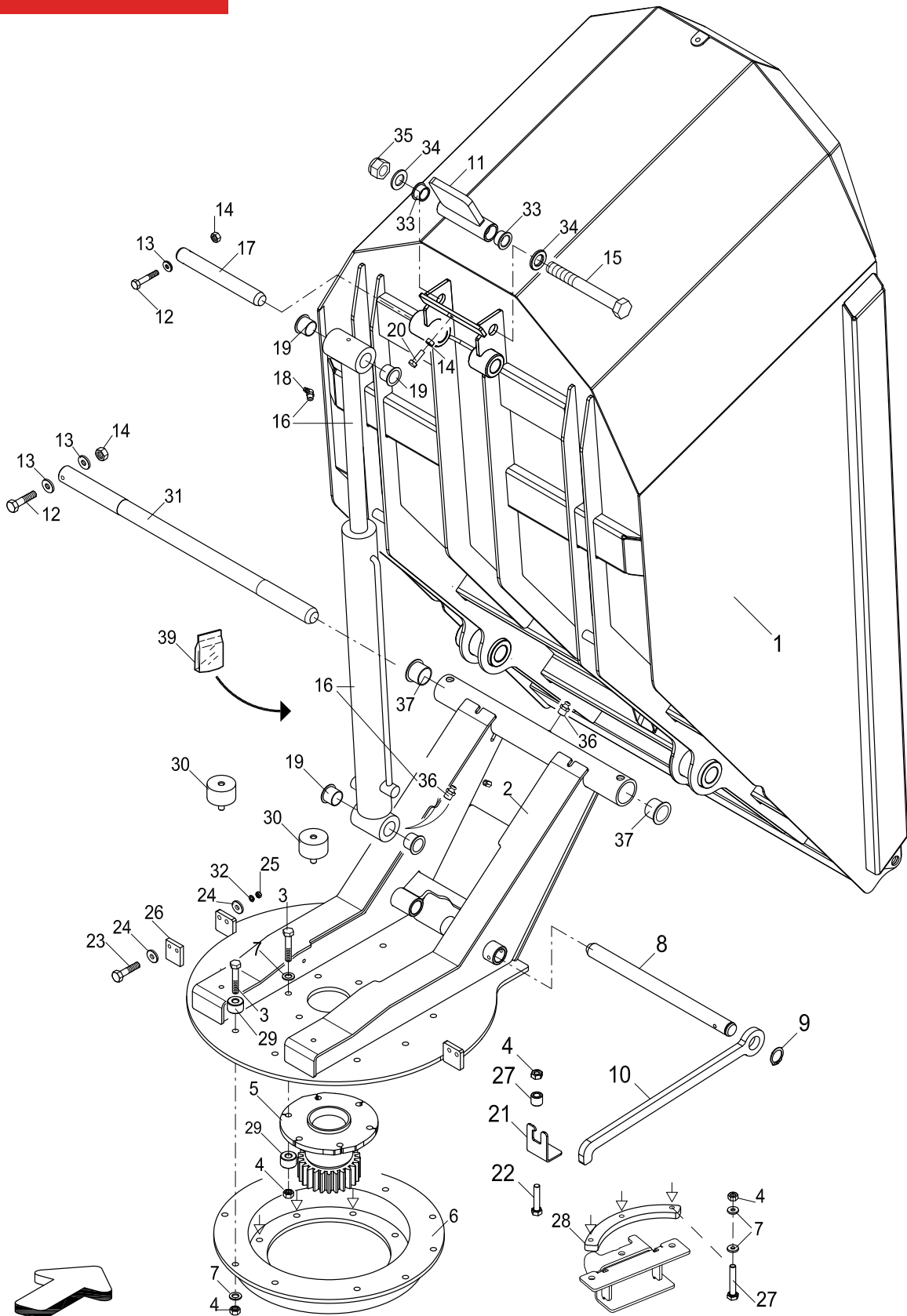
Swivel Hydraulic Cylinder Assembly Parts List

SECTION 1 PARTS

Item	Part #	Description	Qty.
1	03121440	HOSE, 82.6" 1/4DIA FEMALE 1/4" - FEMALE 1/4" 90° BSPP	2
2	066015	WASHER	3
3	066016	JUNCTION	1
4	065635	LEVER	1
5	069713	HANDGRIP	1
6	03160902	WASHER	5
7	065636	VALVE	1
8	066017	JUNCTION	3
9	03150600	SCREW	1
10	25160560	HOSE, RIGID FROM CYLINDER VALVE	1
11	03150006	SCREW	1
12	065266	PROTECTION	1
13	066012	KIT VALVE	1

SECTION 1 PARTS

Trilateral Tipping Bucket Assembly Illustration



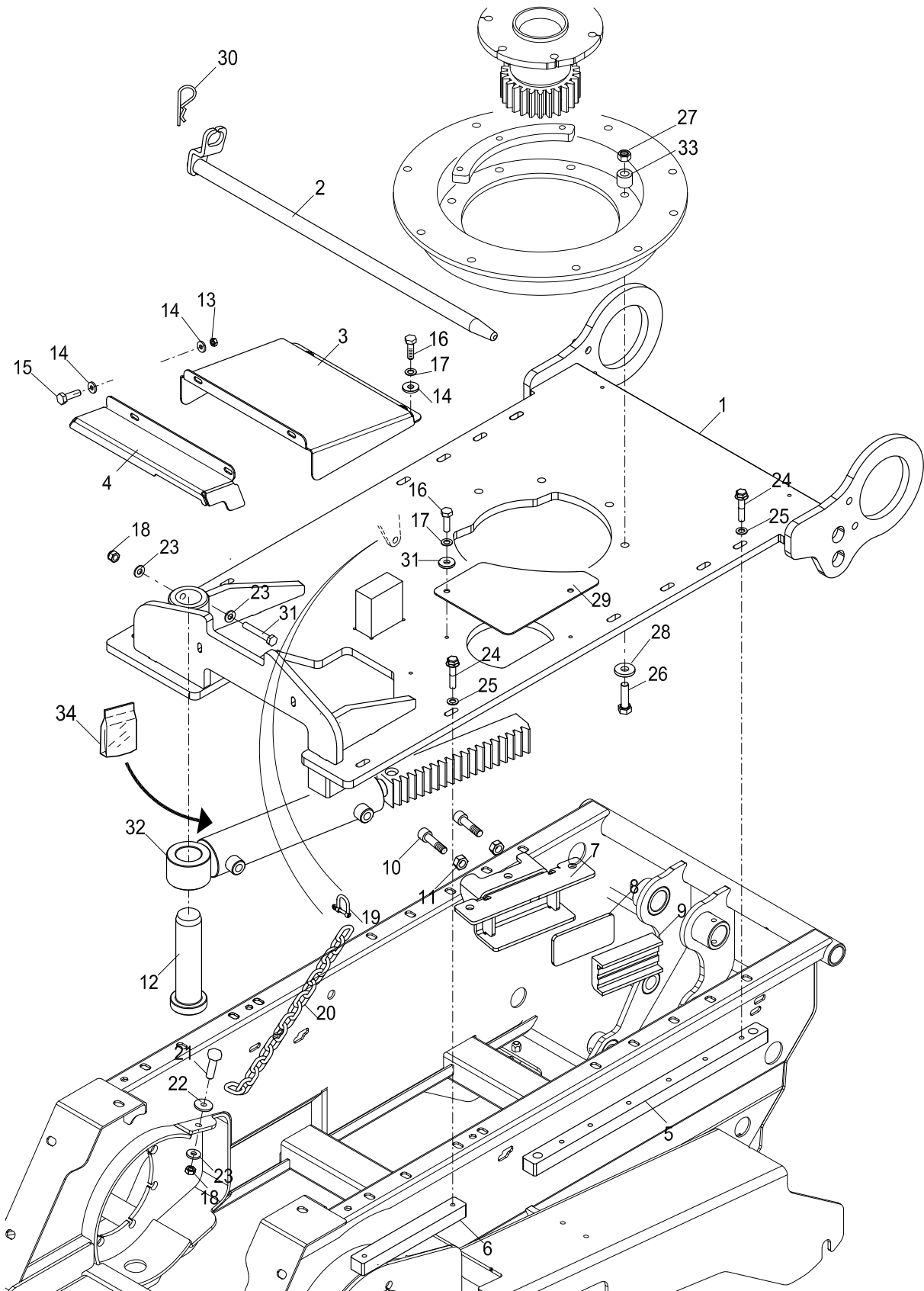
Trilateral Tipping Bucket Assembly Parts List

SECTION 1 PARTS

Item	Part #	Description	Qty.
1	068670	BUCKET	1
2	55020770	EVOLUTION FRAME	1
3	03241000	FSTN, SCREW M10x55 10.9	16
4	03366001	FSTN, NUT M10	1
5	065271	PINION	1
6	45030115	BEARING DISK	1
7	03386300	WASHER, 10,5x28x4	12
8	065626	PIN	1
9	03429700	STOP RING	1
10	062437	PIN 400L	1
11	068658	PIN	1
12	068665	FSTN, SCREW M6x60 8.8	1
13	068666	WASHER	2
14	068667	NUT	4
15	068659	SCREW	1
16	065272	CYLINDER	1
17	065627	PIN	1
18	03511120	LUBRICATOR	1
19	068663	BUSH	4
20	03220700	SCREW	1
21	10013191	PIN	1
22	03240901	SCREW	1
23	03220800	SCREW	4
24	069938	WASHER	8
25	068667	NUT	4
26	45250025	RABBET	2
27	069940	SPACER	1
28	55020771	FLANGE	1
29	069940	SPACER	19
30	065628	VIBRATION-DAMPING	2
31	068669	PIN	1
32	069938	WASHER	4
33	068661	BUSH	2
34	068662	WASHER	2
35	068660	NUT	1
36	03511100	LUBRICATOR	1
37	065629	BUSH	2
38	069939	WASHER	2
39	065630	KITSEALS	1

SECTION 1 PARTS

Trilateral Tipping Bucket Assembly Illustration (cont'd)



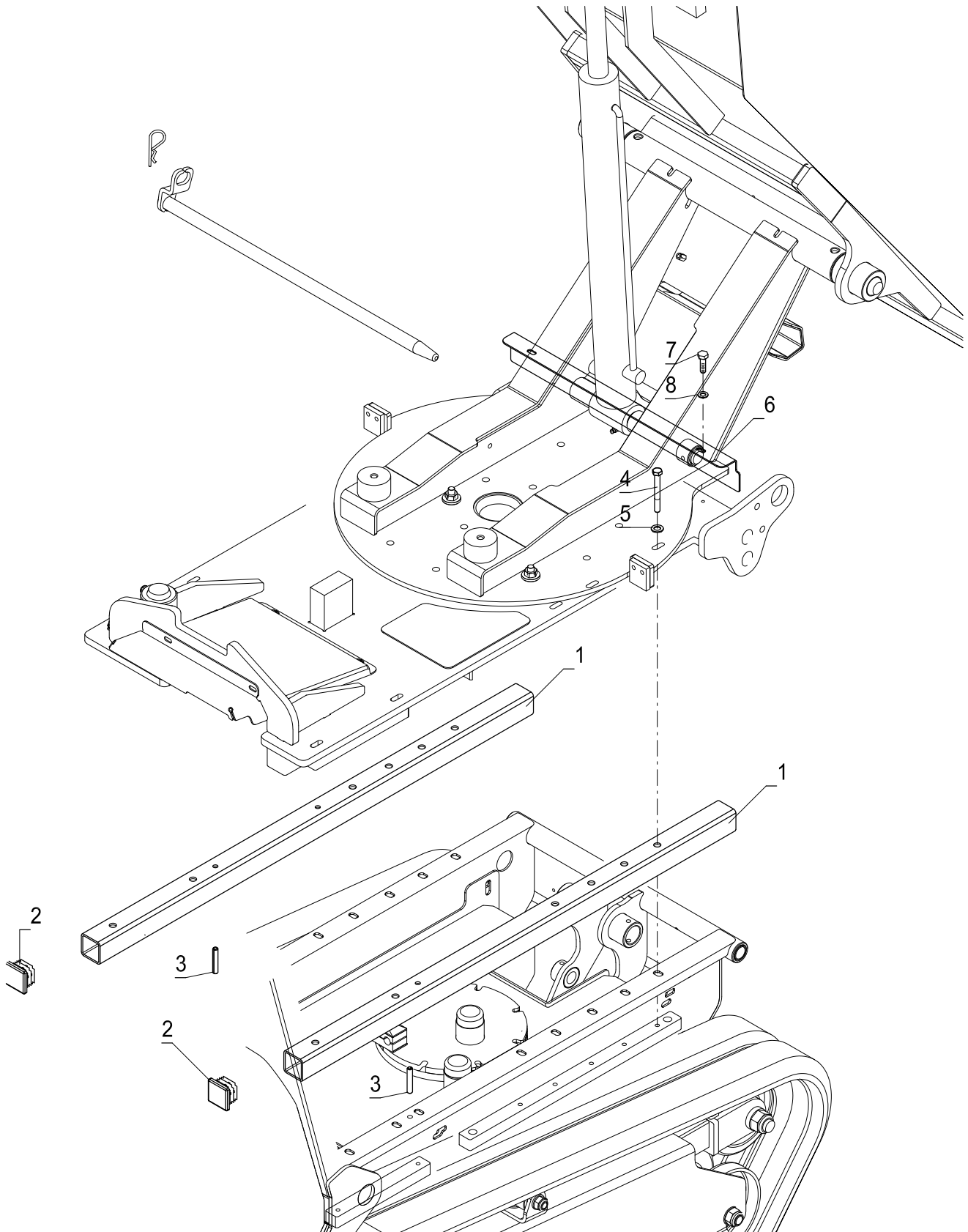
Trilateral Tipping Bucket Assembly Parts List (cont'd)

SECTION 1 PARTS

Item	Part #	Description	Qty.
1	10013194	STEADY FRAME	1
2	065631	PIN	1
3	30014830	CRANKCASE	1
4	30014831	CRANKCASE	1
5	55081584	PLATE	2
6	55081657	PLATE	2
7	45155438	SUPPORT	1
8	45155439	PLATE	1
9	45300076	GUIDE BLOCK	1
10	03245101	FSTN, SCREW M10x40 8.8	2
11	03366001	FSTN, NUT M10	2
12	065632	PIN	1
13	03364004	FSTN, NUT M6	2
14	03383300	WASHER, 6,4x18x1	6
15	03220800	FSTN, SCREW M6x30 8.8	2
16	03220401	FSTN, SCREW M6x16 8.8	4
17	069939	WASHER, 6,4x18x1	4
18	03365100	FSTN, NUT M8	2
19	03350007	CONNECTION	1
20	065633	CHAIN	1
21	070065	FSTN, SCREW M8x30 8.8	1
22	068655	WASHER, 8,4x24x2	1
23	03385201	WASHER, 8,4x17x1,6	3
24	03230511	FSTN, SCREW M8x40 8.8	12
25	066014	WASHER, 8.4x16.6x2.29	12
26	03241000	FSTN, SCREW M10x55 10.9	5
27	03366300	FSTN, NUT M10	5
28	03386201	WASHER, 10,5x21x2	5
29	10012918	DOOR	1
30	03739800	SPLIT PIN	1
31	066013	FSTN, SCREW M8x70 8.8	1
32	065273	CYLINDER	1
33	069940	SPACER	5
34	065634	KITSEALS	1

SECTION 1 PARTS

Trilateral Tipping Bucket Assembly Illustration (cont'd)



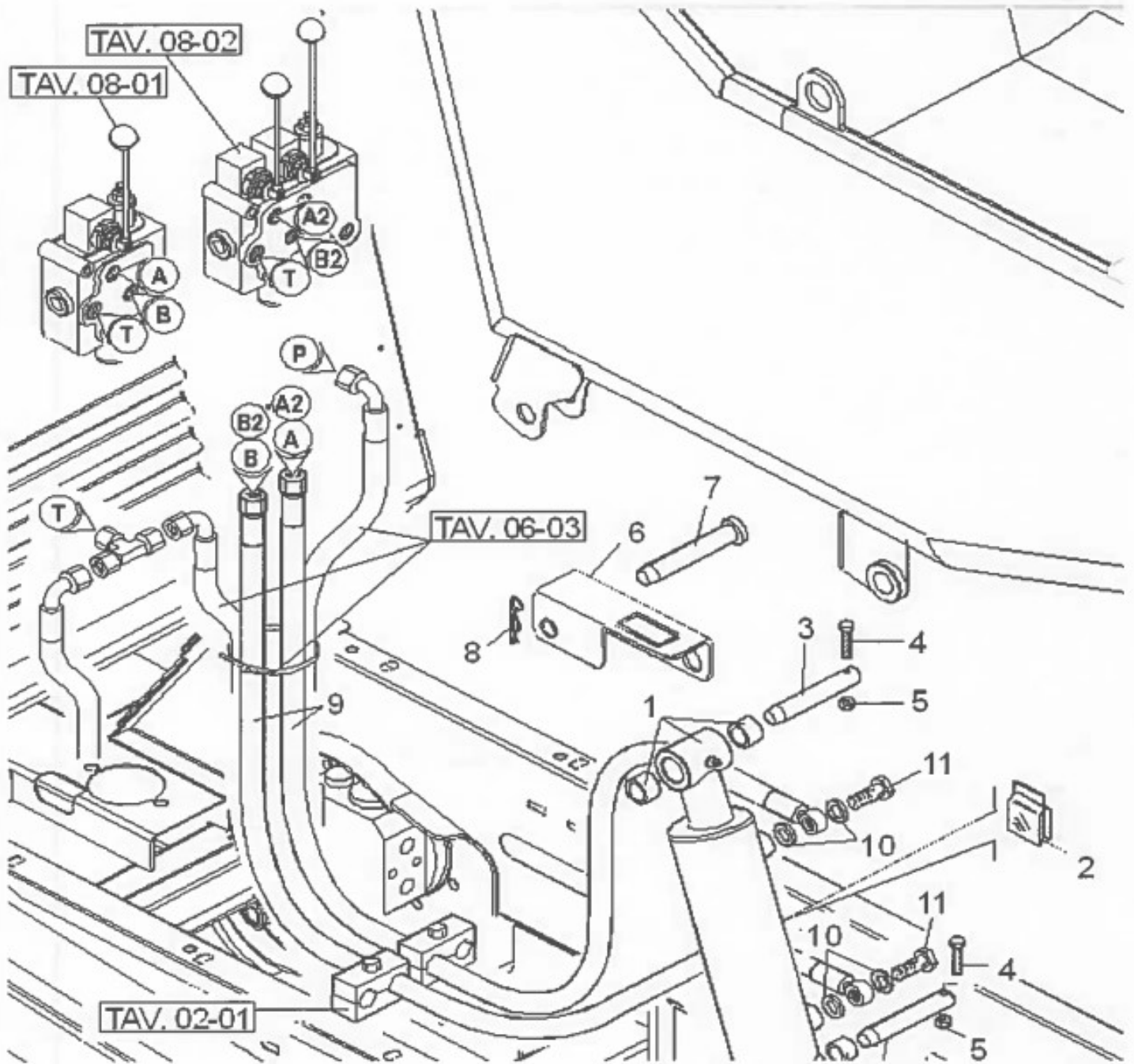
Trilateral Tipping Bucket Assembly Parts List (cont'd)

SECTION 1 PARTS

Item	Part #	Description	Qty.
1	10013152	SUPPORT	2
2	13480217	PLUG	2
3	03400602	PIN	2
4	066013	FSTN, SCREW M8x70 8.8	12
5	066014	WASHER, 8.4x16.6x2.29	12
6	10013151	CRANKCASE	1
7	03220401	FSTN, SCREW M6x16 8.8	2
8	068666	WASHER, 6,4x12,5x1,6	2

SECTION 1 PARTS

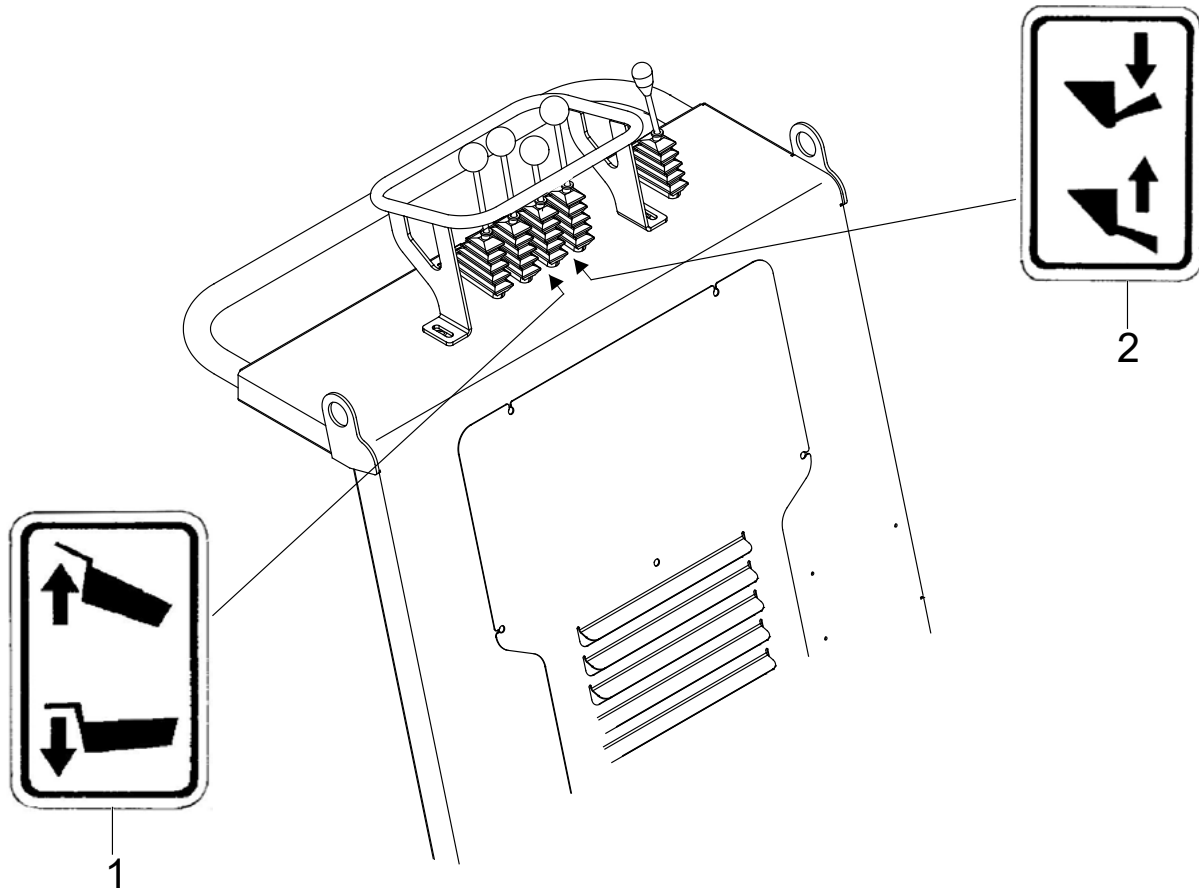
Hydraulic Tank Connections Illustration



ITEM	PART NO.	DESCRIPTION	QTY
1	25250480	CYLINDER	1
2	065639	KIT- SEALS	1
3	45070934	PIN	2
4	03221000	SCREW	2
5	068667	NUT	2
6	065640	ROD	1
7	99150014	LATCH	1
8	03739800	SPLIT PIN	1
9	03112033	PIPE	2
10	03168500	GASKET	4
11	03150006	SCREW	2

SECTION 1
PARTS

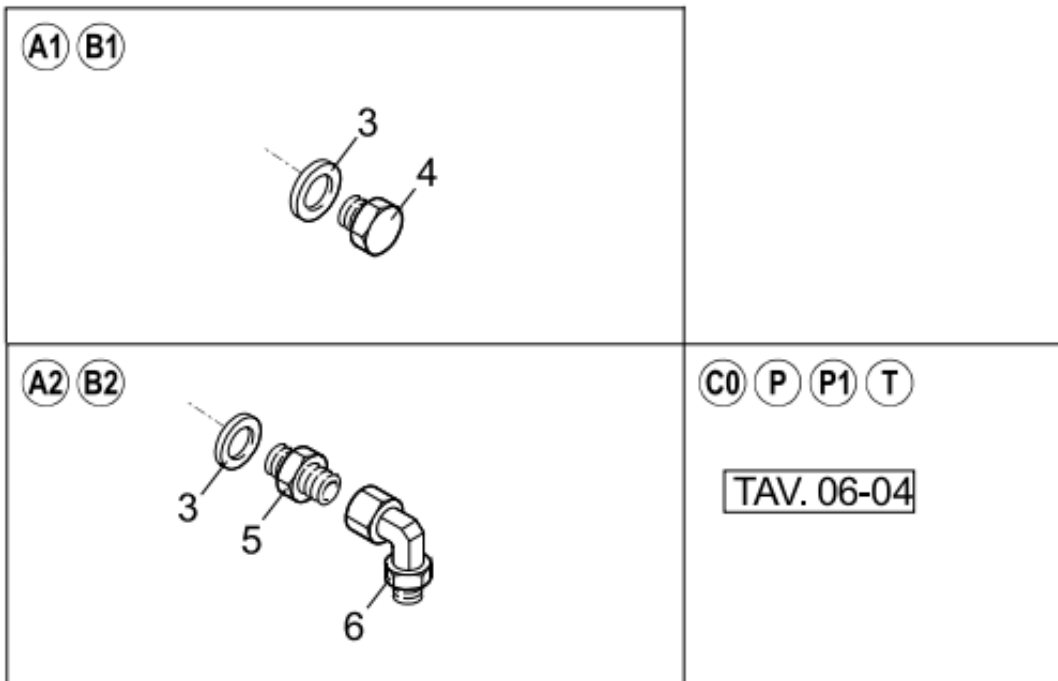
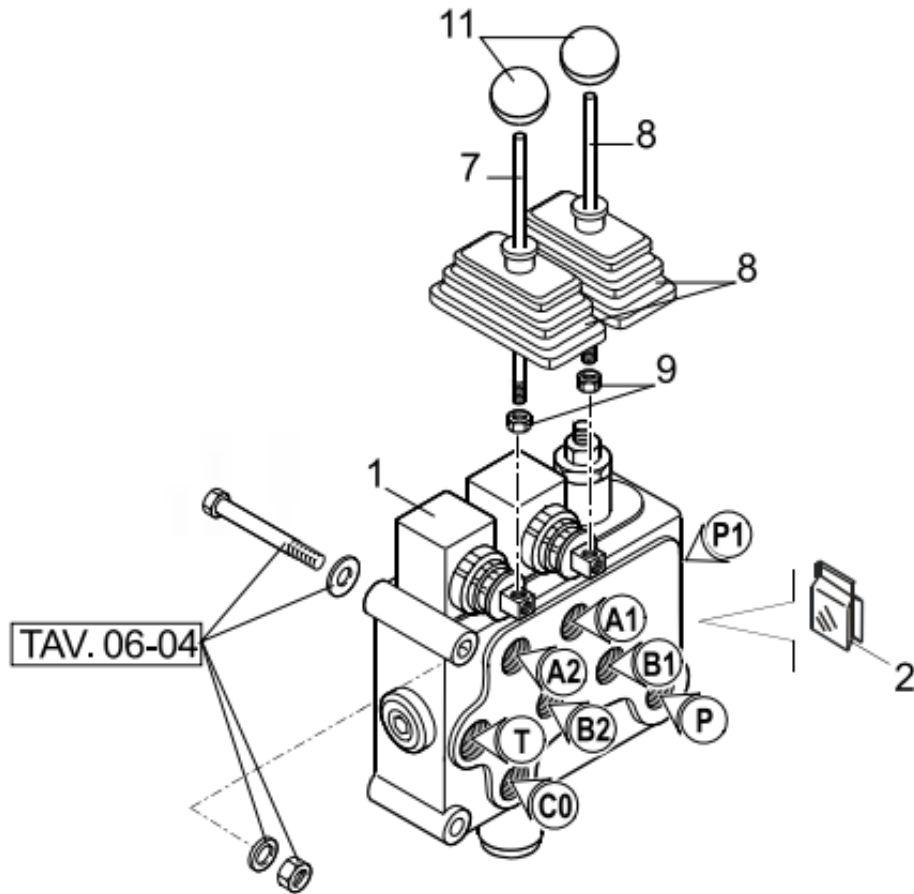
Control Plates Illustration



ITEM	PART NO.	DESCRIPTION	QTY
1	069934	PLATE	1
2	069935	PLATE	1

SECTION 1 PARTS

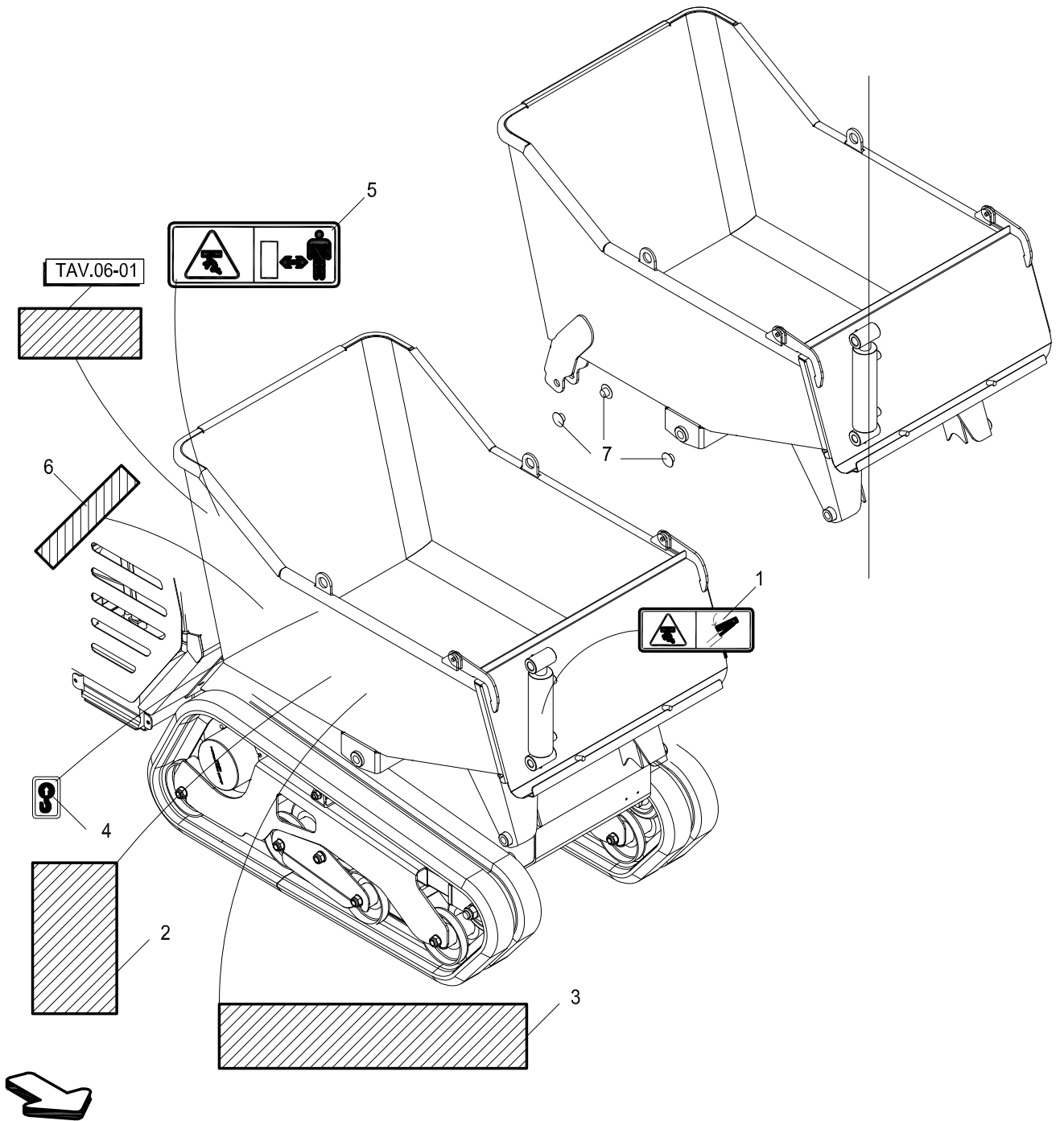
Control Levers Illustration



ITEM	PART NO.	DESCRIPTION	QTY
1	25300372	DISTRIBUTOR	1
2	065270	KIT SEALS	1
3	03168500	GASKET	4
4	13166010	PLUG	2
5	13152700	CONNECTOR	2
6	03605800	ELBOW	2
7	23150232	LEVER	1
8	065635	LEVER	1
9	03366001	NUT	2
10	065266	PROTECTION	2
11	069713	HANDGRIP	2

SECTION 1 PARTS

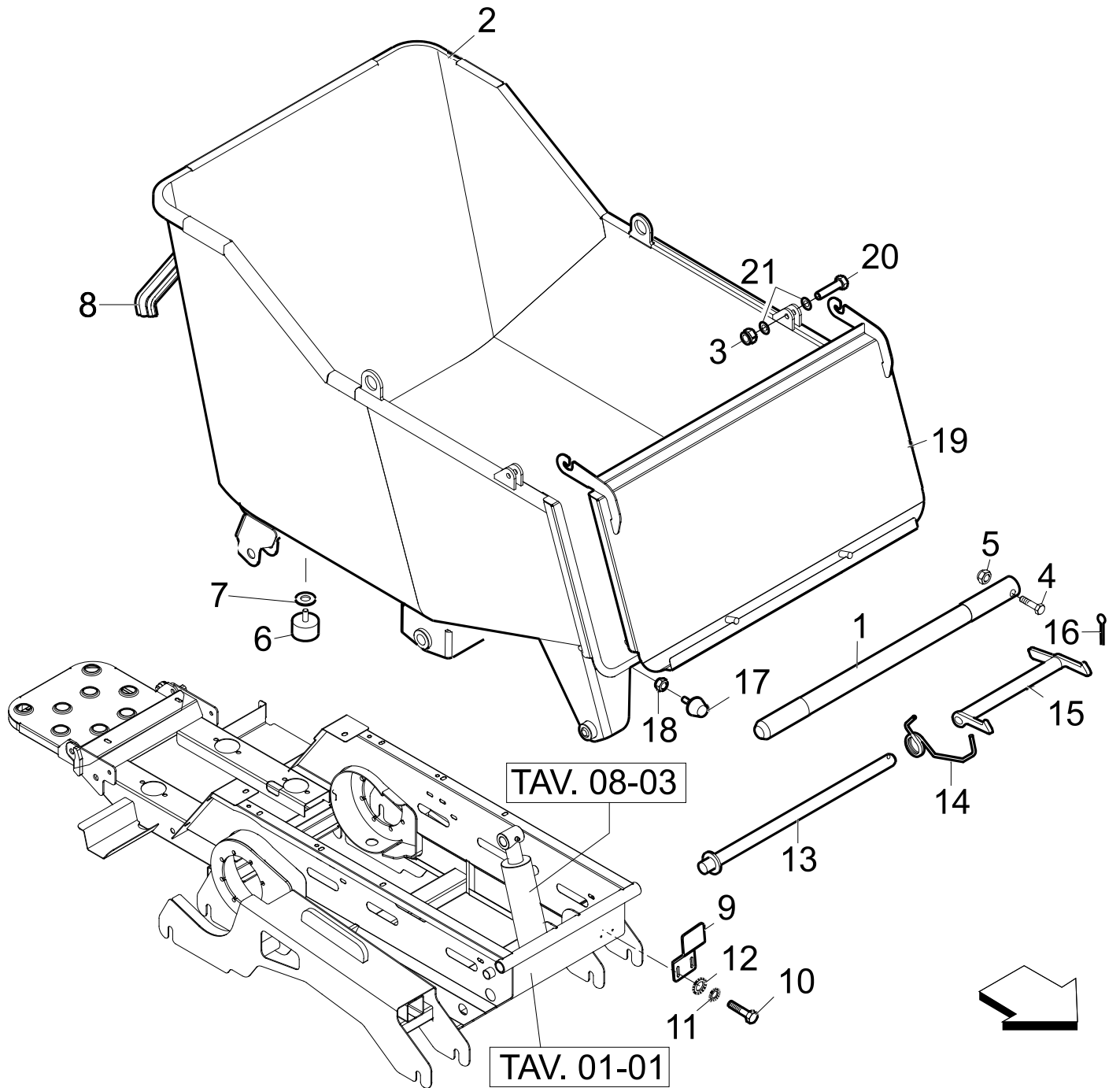
Manufacturer Plates Illustration



ITEM	PART NO.	DESCRIPTION	QTY
1	03660062	PLATE	1
2	03660113	MANUFACTURER'S PLATE	2
3	03660123	MANUFACTURER'S PLATE	2
4	03666024	PLATE	2
5	03660098	PLATE	2
6	03664875	MANUFACTURER'S PLATE	2
7	13480602	PLUG	8

SECTION 1 PARTS

AT12L Bucket Assembly Illustration



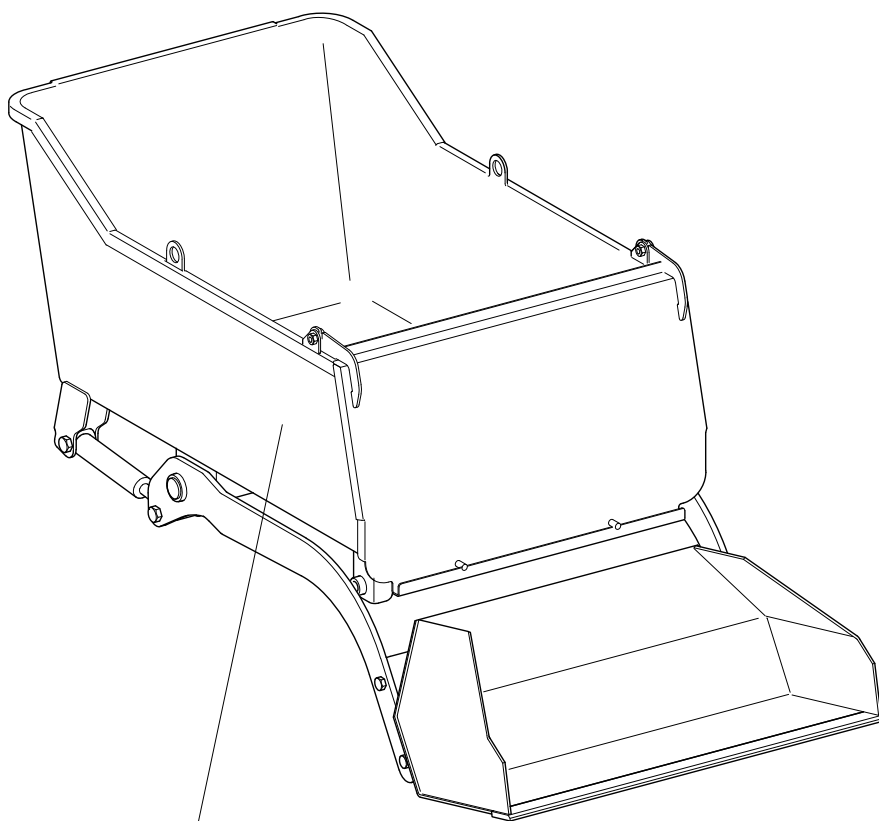
AT12L Bucket Assembly Parts List

SECTION 1 PARTS

ITEM	PART NO.	DESCRIPTION	QTY
-	065870	UNDERCARRIAGE, FOR AT12	
1	065643	PIN	1
2	065874	BUCKET, STEEL (W/O SHOVEL)	1
3	03366300	NUT	2
4	03221000	SCREW	1
5	068667	NUT	1
6	065628	VIBRATION-DAMPING	2
7	91470151	WASHER	2
8	30322086	GASKET	1
9	23160015	RABBET	1
10	03220401	SCREW	2
11	069939	WASHER	2
12	069938	WASHER	2
13	065645	PIN	1
14	03735002	SPRING	1
15	065646	COUPLING	1
16	03433400	SPLIT PIN	1
17	065583	VIBRATION-DAMPING	2
18	03364001	NUT	2
19	068657	SMALL DOOR	1
20	03240701	SCREW	2
21	03386201	WASHER	4

SECTION 1 PARTS

AT12L Bucket Decal Illustration



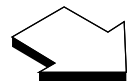
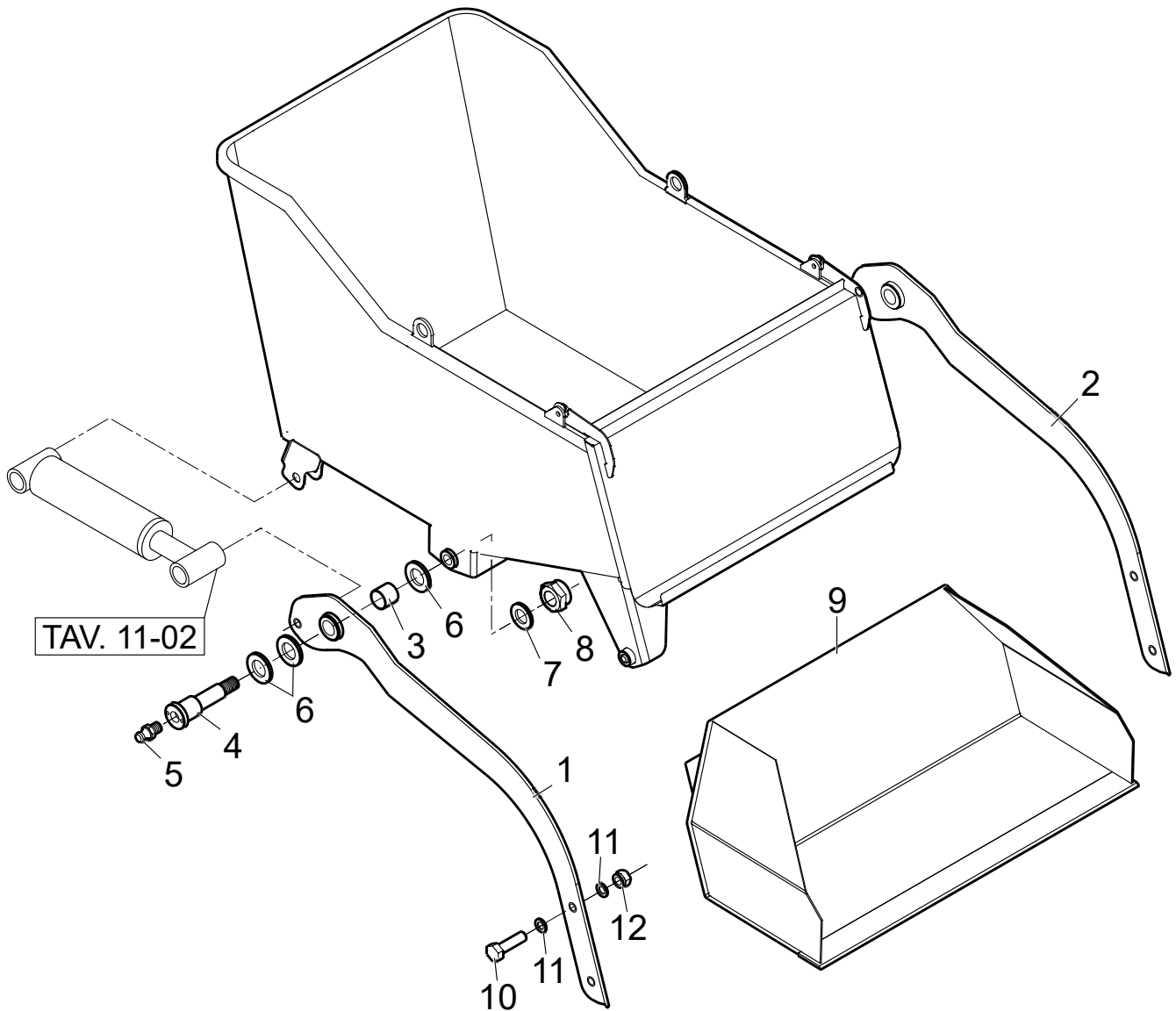
1

06440005

ITEM	PART NO.	DESCRIPTION	QTY
-	066482	KIT, DECAL FOR AT12L	1
1	03660099	PLATE	2

SECTION 1 PARTS

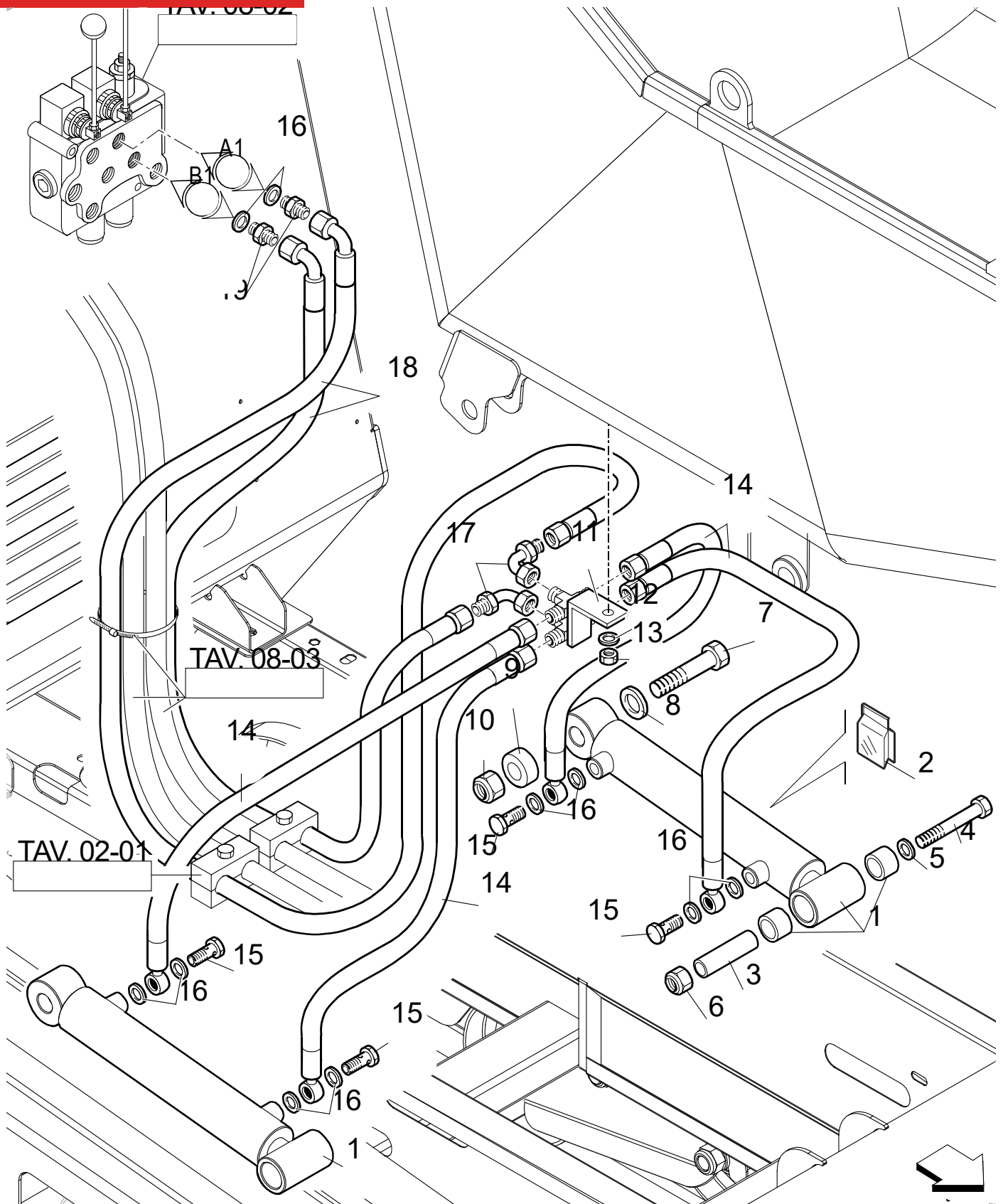
AT12L Bucket Chassis Illustration



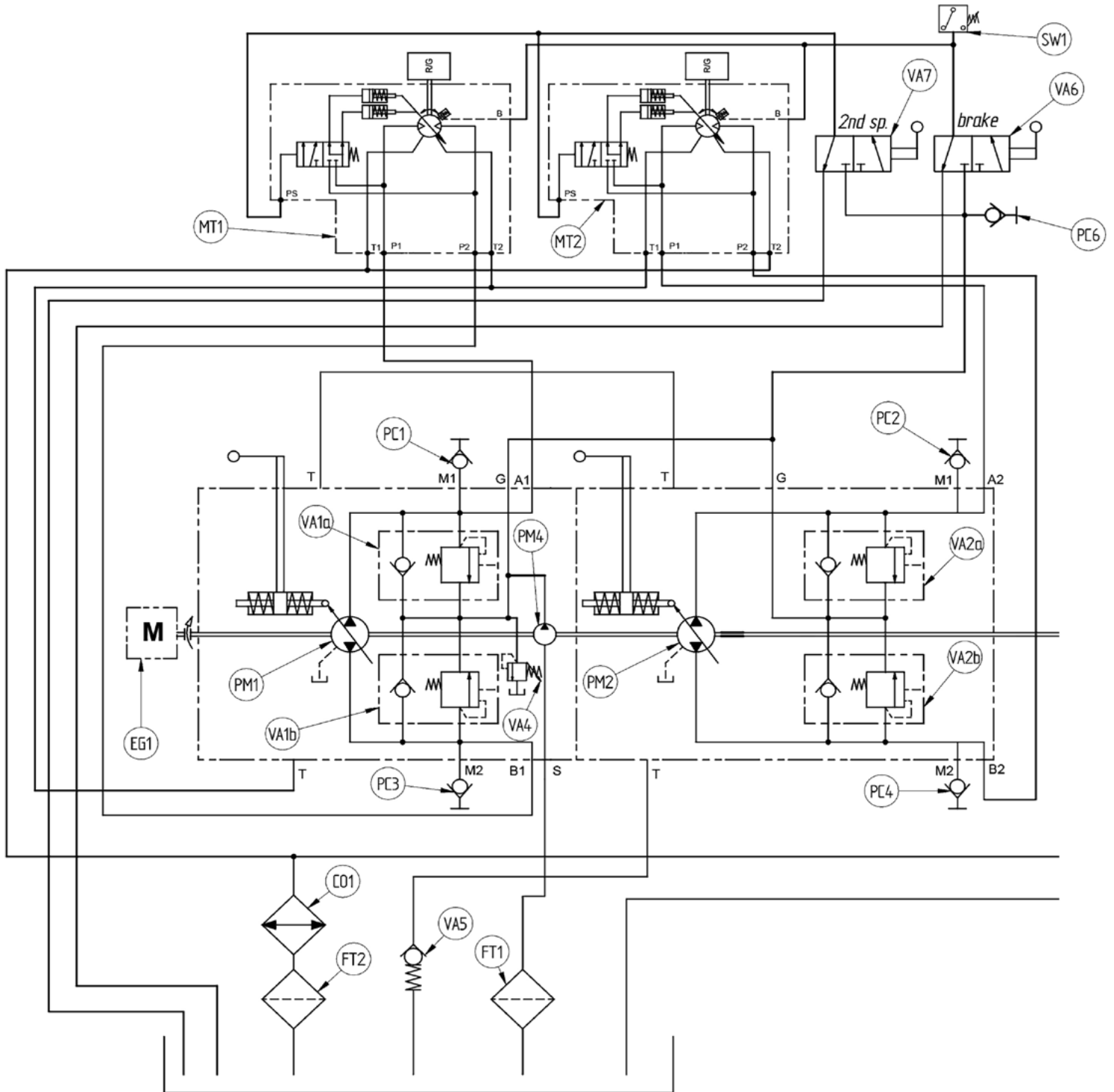
ITEM	PART NO.	DESCRIPTION	QTY
-	065873	KIT, HYDRAULIC AT12L FOR SHOVEL	1
-	065833	ASSEMBLY, FRONT SELF-LOADING SHOVEL	1
1	068646	LIFTING CHASSIS	1
2	068647	LIFTING CHASSIS	1
3	068647	BUSH	2
4	065647	PIN	2
5	068649	LUBRICATOR	2
6	068650	BEARING RING	6
7	068651	WASHER	2
8	068652	NUT	2
9	068653	SKIP	1
10	068654	SCREW	4
11	068655	WASHER	8
12	068656	NUT	4

SECTION 1 PARTS

AT12L Hydraulic Tank Connections Illustration

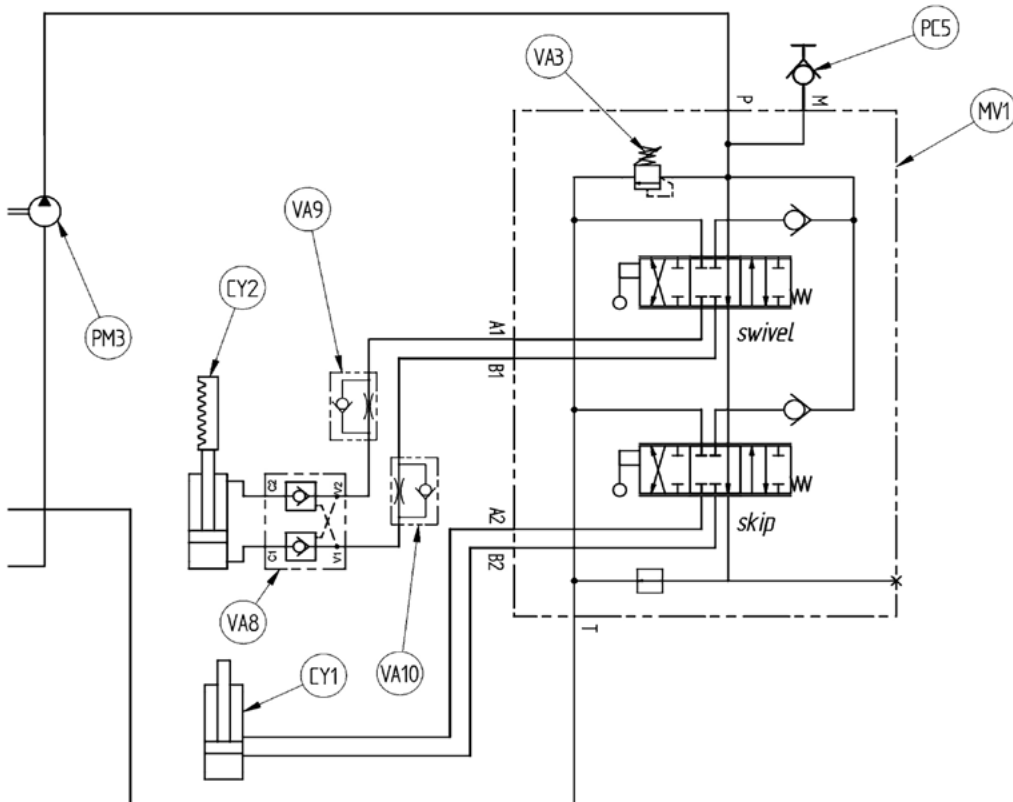


ITEM	PART NO.	DESCRIPTION	QTY
-	065873	KIT, HYDRAULIC AT12L FOR SHOVEL	1
1	065642	CYLINDER	2
2	065641	KIT- SEALS	2
3	45020147	SPACER	2
4	03272200	SCREW	2
5	03388910	WASHER	2
6	03369110	NUT	2
7	45070939	PIN	2
8	03391000	WASHER	2
9	03391050	WASHER	2
10	073502	NUT	2
11	25200548	JUNCTION	1
12	03385201	WASHER	1
13	03365100	NUT	1
14	03122000	PIPE	4
15	03150006	SCREW	4
16	03168500	GASKET	10
17	03605800	ELBOW	2
18	03111973	PIPE	2
19	13152700	CONNECTOR	2



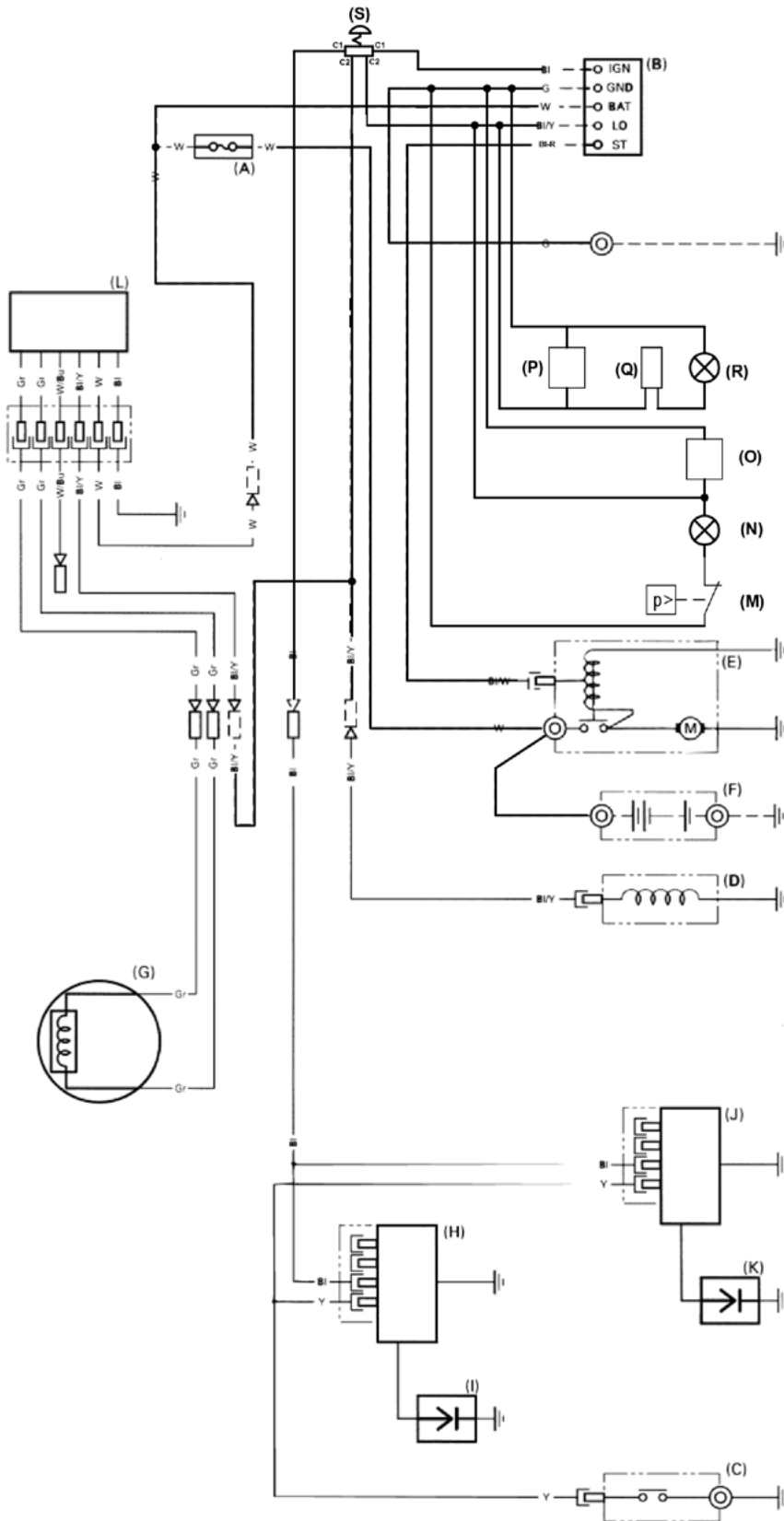
Hydraulic Schematic (cont'd)

Pos.	Part	Technical specifications
CO1	Cooler	
CY1	Cylinder	50x30x480 - dumping
CY2	Cylinder	45x25x168 - swivelling
EG1	Engine	15.5 kw @ 3600 ± 50 rpm
FT1	Suction filter	30 µm
FT2	Return filter	90 µm
MT1	Piston motor	8,7 - 14,72 cc - right track
MT2	Piston motor	8,7 - 14,72 cc - left track
MV1	Main valve	Services
PC1	Pressure check	Right track - forward
PC2	Pressure check	Left track - forward
PC3	Pressure check	Right track - backward
PC4	Pressure check	Left track - backward
PC5	Pressure check	Services
PC6	Pressure check	Charge pump
PM1	Piston pump	8 cc - right track
PM2	Piston pump	8 cc - left track
PM3	Gear pump	2,0 cc - services
PM4	Charge pump	5 cc
VA1a	Relief valve	230±10 bar - right track forward
VA1b	Relief valve	230±10 bar - right track backward
VA2a	Relief valve	230±10 bar - left track forward
VA2b	Relief valve	230±10 bar - left track backward
VA3	Relief valve	160±5 bar - services
VA4	Relief valve	20 + 22 bar - charge pump
VA5	Check valve	1.5 bar
VA6	Valve	Brake
VA7	Valve	2° gear
VA8	Pilot oper. Check	ratio=6:1 - cracking 3 bar
VA9	One-way restrict.	ø 0,6 mm
VA10	One-way restrict.	ø 0,8 mm
SW1	Pressure switch	Brake



GENERAL INFORMATION

Electrical Schematic



WIRE COLORS

Bi	BLACK	Br	BROWN
Y	YELLOW	O	BLACK
Bu	BLUE	Lb	LIGHT BLUE
G	GREEN	Lg	LIGHT GREEN
R	RED	P	PINK
W	WHITE	Gr	GRAY

NOTE FOR TWO-COLORED WIRES:
 G/V --> YELLOW WITH GREEN DOTS
 G-V --> YELLOW WITH A GREEN LINE

	IGN	GND	BAT	LO	ST
OFF					
ON	○	○	○	○	
ST	○	○	○	○	○

ITEM	DESCRIPTION
A	Main fuse
B	Ignition sw itch
C	Oil level sw itch
D	Fuel cut solenoid
E	Starter motor
F	Battery
G	Charge coil
H	Ignition coil
I	Spark plug
J	Ignition coil
K	Spark plug
L	Regulator
M	Pressure sw itch
N	Warning light
O	Hourcounter
P	Fan
Q	Flow control
R	Warning light
S	Emergency stop

Manual Revision

MANUAL REVISION DETAIL

REVISION #	REVISION DATE	REVISION REFERENCE #	REVISION BY
-	02/26	Initial Release	MK
A	02/2026	Added 066444 filter kit, updated Hyd tank filter PNs	MK
b	04/26	26-194, Changed 066444 to 082067, changed 069946 to 065258 and 62009962.	MK



AEC FACTORY & HEADQUARTERS

819 S. 5TH STREET
PARAGOULD, ARKANSAS 72450
870.236.7751
800.643.0095 (TOLL FREE (USA ONLY))

MAILING

PO BOX 819
PARAGOULD, ARKANSAS 72451

ALLENENG.COM

CONNECT WITH US ON SOCIAL

