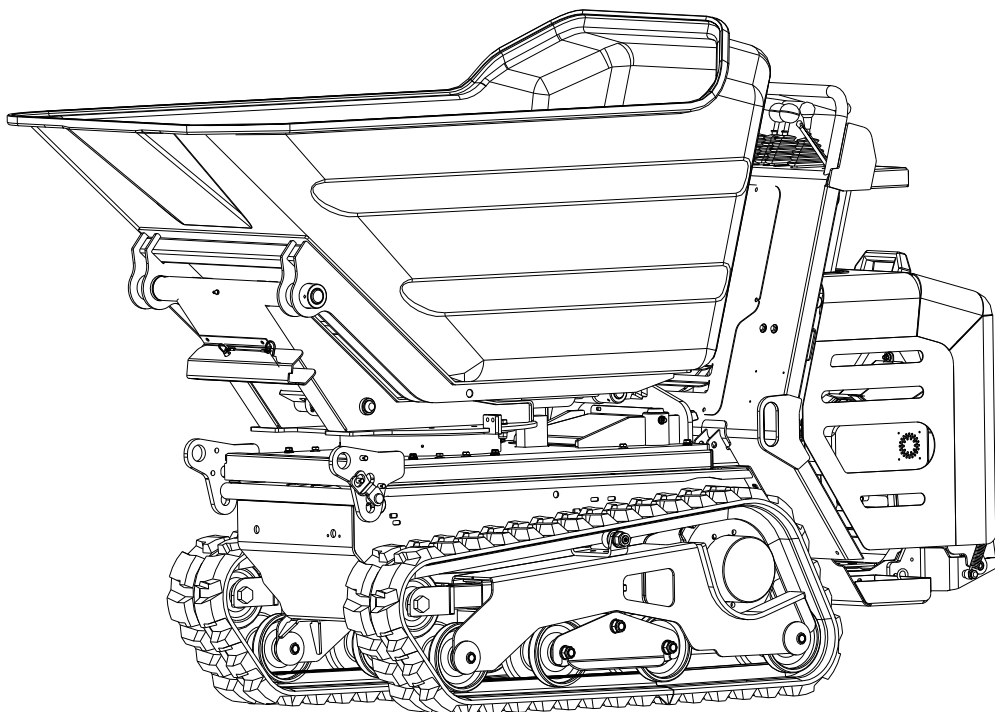


TRACK BUGGIES

AT15F & AT15S



PARTS MANUAL

Manual Part #: 080648P | Revision: 02/26
Language: English | Original Instructions



TRACK BUGGY

Parts Manual

This manual covers the Track Buggy model listed below:

<u>Part No.</u>	<u>Description</u>
079369	Buggy, AT15F
079370	Buggy, AT15S

NOTICE

This manual, or a copy of it, must be kept with the machine at all times.

Illustrations in this manual may include optional accessories and may not directly represent the machine. Images are for reference only.

Copyright © 2025 Allen Engineering Corporation
All rights reserved

All information, specifications, and illustrations in this manual are subject to change without notice and are based on the latest information at the time of publication. No part of this manual may be reproduced or transmitted in any form or by any means, electronics or mechanical, for any purpose, without the express written permission of Allen Engineering Corporation (AEC). AEC assumes no responsibility or liability for any errors or inaccuracies that may appear in this manual.

Allen Products are covered under one or more of the following patent numbers:

10,100,537; 9,068,301; 9,068,300; 8,360,680; 7,690,864; 7,114,876B1; 6,857,815B2; 6,582,153

With other Patents Pending.

Printed in U.S.A.

GENERAL INFORMATION

Dealer Information & Ordering Parts

Your Dealer has Allen Engineering Corporation trained mechanics and original Allen replacement parts. Always contact the Allen Dealer who sold you this machine for Allen Certified repairs and replacement parts.

Place Allen Dealer information below for future reference.

Dealer Name: _____		
Phone #: (____) - ____ - _____		
Address: _____		
City: _____	State: _____	Zip: _____
Salesman: _____	Mobile Phone: _____	
Additional Comments: _____		

ALL INFORMATION, SPECIFICATIONS, AND ILLUSTRATIONS IN THIS MANUAL
ARE SUBJECT TO CHANGE WITHOUT NOTICE AND ARE BASED ON THE LATEST
INFORMATION AT THE TIME OF PUBLICATION.

The "PARTS & DECALS MANUAL" contain illustrated parts lists for help in ordering replacement parts for your machine. Follow the instructions below when ordering parts to insure prompt and accurate delivery:

1. All orders for service parts - include the serial number for the machine. Shipment will be delayed if this information is not available.
2. Include correct description and part number from the "PARTS & DECALS MANUAL"
3. Specify exact shipping instructions, including the preferred routing and complete destination address.
4. **DO NOT** return parts to AEC without receiving written authorization from AEC. All authorized returns must be shipped pre-paid.
5. When placing an order, please contact the AEC dealer nearest you.

Model & Serial Number / Unit Identification

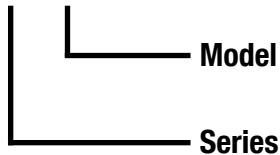
GENERAL INFORMATION

Manufacturer's Codes:

When ordering parts or requesting service information, you will always be asked to specify the model and serial numbers of the machine. The legends below specifically defines each significant character or group of characters of the Model Number and Serial Number codes.

Model Number

AT 15F

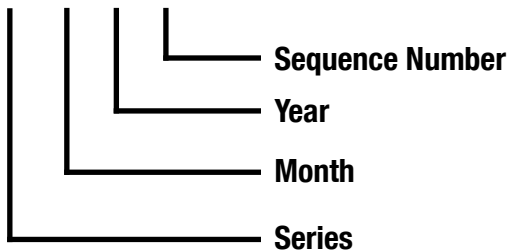


Serial Number

The serial number found on the identification plate is a ten digit format. The model number identifies your machine and will ensure that you receive the correct replacement parts.

Serial Number Example

AT 01 15 001



Unit Identification Plate Location:

An identification plate listing the model number and the serial number is attached to each unit and is located on the rear lower left side of mainframe or under the seat. Refer below for serial number and model number location. This plate should not be removed at any time.

Please record the information found on this plate below so it will be available should the identification plate become lost or damaged. When ordering parts or requesting service information, you will always be asked to specify the model and serial numbers of the machine.

FILL IN FOR FUTURE REFERENCE

Model Number: _____

Serial Number: _____

Date Purchased: _____

Purchased From: _____

CE	allen ENGINEERING CORPORATION
MODEL	P.O. BOX 819 PARAGOULD, AR. 72450, USA
PART NUMBER	800.643.0095 (USA ONLY)
POWER	870.236.7751
WEIGHT	800.643.0097 (USA ONLY)
SERIAL NO.	870.236.3934
PRODUCTION DATE (MM/DD/YYYY)	WWW.ALLENENG.COM

GB SPARE PARTS REQUEST INSTRUCTIONS

On the spare parts request the following data have to be mentioned:

- 1) The table and position number, the code reference of the part and the relevant quantity as they are mentioned in this booklet.
- 2) The model of the machine and its serial number, as quoted on the booklet cover and on the plate placed on the frame.
- 3) The fully information of the buyer's name and adress.

IMPORTANT

We kindly ask you to take note that, lacking the above mentioned data, our Company will not be able to carry out the spare parts orders.

NOTICE

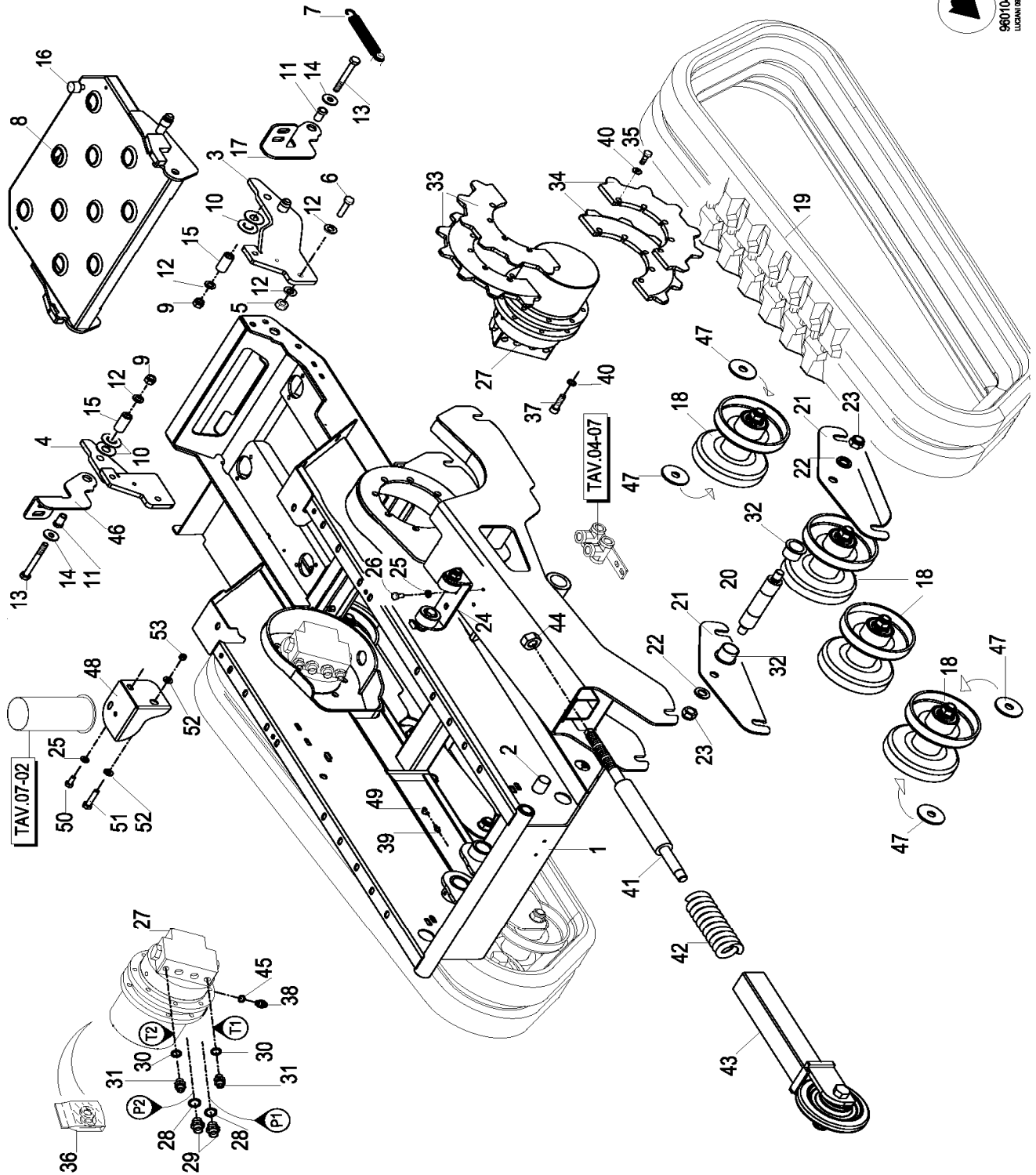
The Manufacturer declines any liability for damages to things and persons rising from an incorrect use of the machines of his manufacture.

The Manufacturer reserves the right to modify, at any moment and without engaging himself to immediately up-to-date this publication, parts, details or supplies, which he considers to be technological and functional improvements or for manufacturing or commercial needs.

- Ⓘ SOTTOCARRO AT-14 POWER BUGGY
- Ⓕ TRUCK-ROULANT
- ⒼⒸ UNDERTRUCK
- Ⓓ UNTERWAGEN

TAV. 01-01
96010488

09684453 SOTT. 3 ATTACCHI CINGOLATO IDRO. TC120 B&S 23cv UNIFICATO



Tav. 01-01 - 96010488

<i>P.</i>	<i>Codice</i>	<i>Q.</i>	① ② <i>Denominazione Benennung</i>	③ <i>Description</i>	④ <i>Description</i>
1	55141569	1	TELAIO	CHASSIS	FRAME
2	33591805	2	RAHMEN BRONZINA BRONZEBUCHSE	COUSSINET	BUSHING
3	30060578	1	PIASTRA PLATTE	PLAQUE	PLATE
4	30060575	1	SUPPORTO DX. HALTERUNG	SUPPORT DROITE	RIGHT MOUNTING
5	03366300	4	DADO MUTTER	ECROU	NUT
6	03240701	4	VITE SCHRAUBE	VIS	SCREW
7	03730003	1	MOLLA FEDER	RESSORT	SPRING
8	30060568	1	PEDANA PER OPERATORE TRITTBRETT FUER FAHRER	APPUIE-PIEDS POUR OPERATOR	OPERATOR'S FOOTBOARD
9	03366300	2	DADO MUTTER	ECROU	NUT
10	03731430	4	MOLLA FEDER	RESSORT	SPRING
11	45020435	2	DISTANZIALE DISTANZSTUCK	ENTRETOISE	SPACER
12	03386201	6	ROSETTA SCHEIBE	RONDELLE	WASHER
13	03241600	2	VITE SCHRAUBE	VIS	SCREW
14	03386011	2	ROSETTA SCHEIBE	RONDELLE	WASHER
15	45020437	2	DISTANZIALE DISTANZSTUCK	ENTRETOISE	SPACER
16	03529609	2	ANTIVIBRANTE DAMPFUNG	ANTIVIBRATOIRE	VIBRATION-DAMPING
17	30014898	1	STAFFA TRAGBUGEL	ETRIER	CLAMP
18	065250	8	RULLO COMPLETO KOMPLETT ROLLE	ROULEAU COMPLET	COMPLETE ROLL
19	03902541	2	CINGOLO RAUPENKETTE	CHENILLE	TRACK
20	45070954	2	PERNO BOLZEN	PIVOT	PIN
21	55140802	4	SUPPORTO HALTERUNG	SUPPORT	SUPPORT
22	03389300	4	ROSETTA SCHEIBE	RONDELLE	WASHER
23	03369120	4	DADO MUTTER	ECROU	NUT
24	45010181	2	RULLO COMPLETO KOMPLETT ROLLE	ROULEAU COMPLET	COMPLETE ROLL
25	03385050	5	ROSETTA SCHEIBE	RONDELLE	WASHER
26	03230701	4	VITE SCHRAUBE	VIS	SCREW
27	065252	2	MOTORIDUTTORE TRASLAZIONE TRANSLATIONGETRIEBMOTOR	MOTO-REDUCTEUR TRANSLATION	TRANSLATION GEAR MOTOR
28	03160902	4	RONDELLA SCHEIBE	RONDELLE	WASHER
29	13152800	4	GIUNZIONE VERBINDUNG	ASSEMBLAGE	JUNCTION
30	03160901	4	RONDELLA SCHEIBE	RONDELLE	WASHER
31	13152700	4	GIUNZIONE VERBINDUNG	ASSEMBLAGE	JUNCTION
32	33593670	4	BOCCOLA BUECHSE	DOUILLE	BUSH
33	065253	4	RUOTA MOTRICE RAD	ROUE	GEAR

Tav. 01-01 - 96010488

<i>P.</i>	<i>Codice</i>	<i>Q.</i>	① ② <i>Denominazione Benennung</i>	③ <i>Description</i>	④ <i>Description</i>
34	065254	4	RUOTA MOTRICE RAD	ROUE	CEAR
35	03245010	18	VITE SCHRAUBE	VIS	SCREW
36	62499877	2	KIT GUARNIZIONI SATZ DICHTUNGS	KIT JOINTS	KIT SEALS
37	03244810	16	VITE SCHRAUBE	VIS	SCREW
38	13150402	2	GIUNZIONE VERBINDUNG	ASSEMBLAGE	JUNCTION
39	03510400	1	INGRASSATORE SCHMIERER	GRAISSEUR	LUBRICATOR
40	03386000	32	ROSETTA SCHEIBE	RONDELLE	WASHER
41	45070957	2	PERNO BOLZEN	PIVOT	PIN
42	03730930	2	MOLLA FEDER	RESSORT	SPRING
43	45040156	2	TENDICINGOLO RAUPENKETTENSANNER	TENDEUR DE CHENILLE	TRACK STRETCHER
44	03371120	2	DADO MUTTER	ECROU	NUT
45	03168110	2	RONDELLA SCHEIBE	RONDELLE	WASHER
46	30014897	1	STAFFA TRAGBUGEL	ETRIER	CLAMP
47	92100086	8	RONDELLA SCHEIBE	RONDELLE	WASHER
48	99250423	1	CONTENITORE KASTEN	CONTENEUR	JAR
49	13480850	1	TAPPO STOPFEN	BOUCHON	PLUG
50	03230301	1	DISTANZIALE DISTANZSTUCK	ENTRETOISE	SPACER
51	03240601	1	VITE SCHRAUBE	VIS	SCREW
52	03386201	2	ROSETTA SCHEIBE	RONDELLE	WASHER
53	03366300	1	DADO MUTTER	ECROU	NUT

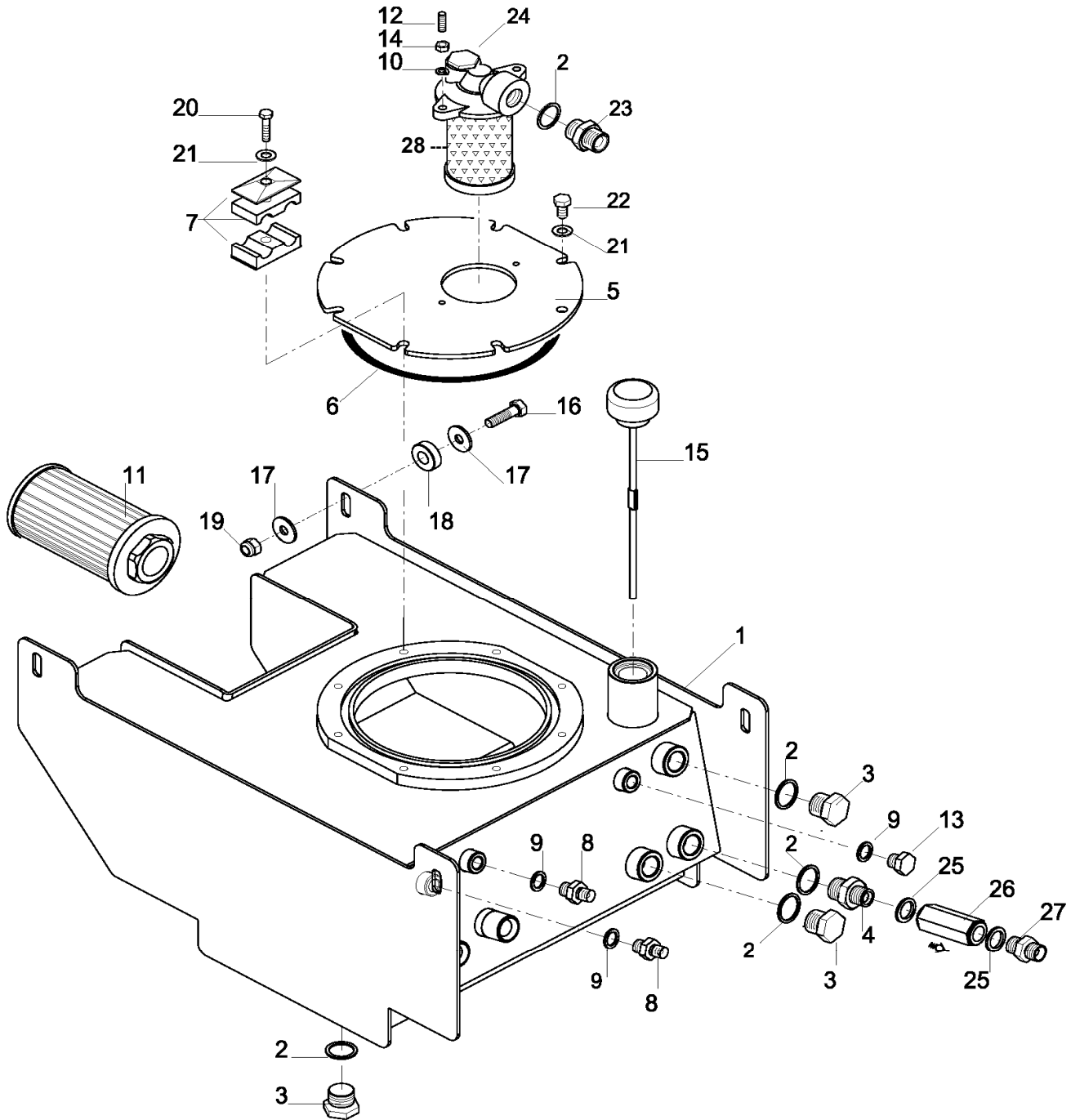
Tav. 01-01 - 96010488

P.	Codice	Q.	① ② Denominazione Benennung	③ Description	④ Description

- Ⓘ SERBATOIO OLIO AT-14 POWER BUGGY
- Ⓕ RESERVOIR HUILE
- ⒼⒷ OIL TANK
- Ⓓ OLTANK

TAV. 02-01
96020602

.09684453 SOTT. 3 ATTACCHI CINGOLATO IDRO. TC120 B&S 23cv UNIFICATO



Tav. 02-01 - 96020602

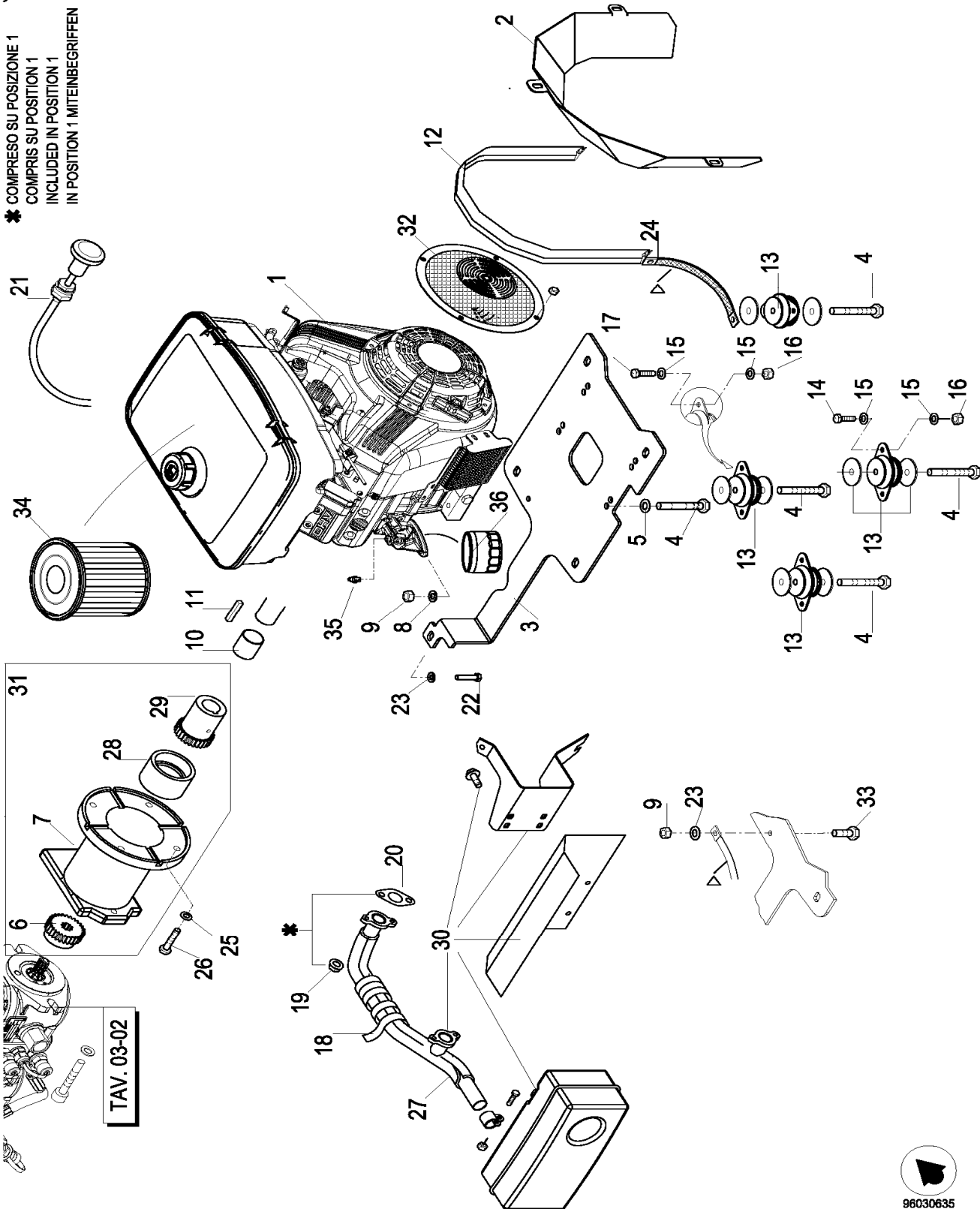
<i>P.</i>	<i>Codice</i>	<i>Q.</i>	① ② <i>Denominazione Benennung</i>	③ <i>Description</i>	④ <i>Description</i>
1	15101373	1	SERBATOIO OLIO OLTANK	RESERVOIR HUILE	OIL TANK
2	03160006	4	RONDELLA SCHEIBE	RONDELLE	WASHER
3	13166000	3	TAPPO STOPFEN	BOUCHON	PLUG
4	13153900	1	GIUNZIONE VERBINDUNG	ASSEMBLAGE	JUNCTION
5	15101265	1	COPERCHIO DECKEL	COUVERCLE	COVERING
6	03491002	1	ANELLO O.R. O.R. RING	ANNEAU O.R.	O.R. RING
7	13572402	2	COLLARE BUNDRING	COLLIER	COLLAR
8	13150036	2	RIDUZIONE REDUZIERSTUCK	REDUCTION	REDUCTION
9	03160901	3	RONDELLA SCHEIBE	RONDELLE	WASHER
10	03383000	2	ROSETTA SCHEIBE	RONDELLE	WASHER
11	065259	1	FILTRO FILTER	FILTRE	FILTER
12	03229700	2	PRIGIONIERO SCHRAUBE	BROCHE PRISONNIERE	STUD BOLT
13	13166010	1	TAPPO STOPFEN	BOUCHON	PLUG
14	03364001	2	DADO MUTTER	ECROU	NUT
15	25110025	1	TAPPO CARICO-LIVELLO EINFULL- UND STANDSTOPFEN	BOUCHON CHARGE-NIVEAU	LEVEL-LOADING PLUG
16	03230601	2	VITE SCHRAUBE	VIS	SCREW
17	03385401	4	ROSETTA SCHEIBE	RONDELLE	WASHER
18	03386300	2	ROSETTA SCHEIBE	RONDELLE	WASHER
19	03365100	2	DADO MUTTER	ECROU	NUT
20	03231050	2	VITE SCHRAUBE	VIS	SCREW
21	03385600	8	ROSETTA SCHEIBE	RONDELLE	WASHER
22	03220401	6	VITE SCHRAUBE	VIS	SCREW
23	13152900	1	GIUNZIONE VERBINDUNG	ASSEMBLAGE	JUNCTION
24	065258	1	FILTRO FILTER	FILTRE	FILTER
25	03160902	2	RONDELLA SCHEIBE	RONDELLE	WASHER
26	13843001	1	VALVOLA VENTIL	SOUPAPE	VALVE
27	13152800	1	GIUNZIONE VERBINDUNG	ASSEMBLAGE	JUNCTION
28	62009962	1	-----	-----	FILTER CARTRIDGE

- (M) MOTORE
- (F) MOTEUR
- (G) ENGINE
- (D) MOTOR

TAV. 03-01
96030635

.09684453 SOTT. 3 ATTACCHI CINGOLATO IDRO. TC120 B&S 23cv UNIFICATO

* COMPRESO SU POSIZIONE 1
 COMPRIS SU POSITION 1
 INCLUDED IN POSITION 1
 IN POSITION 1 MITTEINGRIFFFEN



Tav. 03-01 - 96030635

<i>P.</i>	<i>Codice</i>	<i>Q.</i>	① ② <i>Denominazione Benennung</i>	③ <i>Description</i>	④ <i>Description</i>
1	13001006	1	MOTORE MOTOR	MOTEUR	ENGINE
2	30015750	1	COFANO HAUBE	CAPOT	HOOD
3	20052230	1	BASE MOTORE	BASE MOTEUR	MOTOR BASE
4	03231111	8	VITE SCHRAUBE	VIS	SCREW
5	03385201	4	ROSETTA SCHEIBE	RONDELLE	WASHER
6	63529618	1	MOZZO NABE	MOYEU	HUB
7	63529617	1	LANTERNA HALTER	SUPPORT	MOUNTING
8	03385401	4	ROSETTA SCHEIBE	RONDELLE	WASHER
9	03365101	5	DADO MUTTER	ECROU	NUT
10	45020371	1	DISTANZIALE DISTANZSTUCK	ENTRETOISE	SPACER
11	03415001	1	CHIAVETTA SCHLUSSEL	CLAVETTE	KEY
12	30320363	1	GUARNIZIONE DICHTUNG	GARNITURE	GASKET
13	03520001	4	ANTIVIBRANTE DAMPPFUNG	ANTIVIBRATOIRE	VIBRATIN-DAMPING
14	03220601	7	VITE SCHRAUBE	VIS	SCREW
15	03383201	16	ROSETTA SCHEIBE	RONDELLE	WASHER
16	03364004	8	DADO MUTTER	ECROU	NUT
17	03220701	1	VITE SCHRAUBE	VIS	SCREW
18	069023	1	NASTRO ADESIVO KLEBEBAND	RUBAN ADHESIF	ADHESIVE TAPE
19	069491	4	DADO MUTTER	ECROU	NUT
20	63009122	4	GUARNIZIONE SCARICO AUSPUFFDICHTUNG	GARNITURE DECHARGE	DISCHARGE GASKET
21	03560027	1	CAVO KABEL	CABLE	CABLE
22	03230501	1	VITE SCHRAUBE	VIS	SCREW
23	03385050	2	ROSETTA SCHEIBE	RONDELLE	WASHER
24	13467900	1	CAVO MESSA A TERRA SICHERHEITSERDUNGKABEL	CABLE DE MISE A LA TERRE	EARTHING CABLE
25	03385050	4	ROSETTA SCHEIBE	RONDELLE	WASHER
26	03237550	4	VITE SCHRAUBE	VIS	SCREW
27	069489	1	PROTEZIONE SCHUTZ	PROTECTION	PROTECTION
28	63529620	1	MANICOTTO MUFFE	MANCHON	SLEEVE
29	63529619	1	MOZZO NABE	MOYEU	HUB
30	03009726	1	MARMITTA SCHALLDAMPFER	POT D'ECHAPPEMENT	MUFFLER
31	065260	1	ACCOPIATORE KUPPLUNGSSLAUCH	COPLEUR	COPLEAUR
32	20052281	1	FLANGIA DI CHIUSURA AVVIAM. FLANSCH	FRANGE	FLANGE

Tav. 03-01 - 96030635

<i>P.</i>	<i>Codice</i>	<i>Q.</i>	(I) (D)	<i>Denominazione</i> <i>Benennung</i>	(F)	<i>Description</i>	(GB)	<i>Description</i>
33	03230601	1		VITE SCHRAUBE		VIS		SCREW
34	63009704	1		FILTRO FILTER		FILTRE		FILTER
35	63009706	1		BULBO PRESSIONE OLIO OELDRUCKLAMPE		BOULE PRESSION HUILE		OIL PRESSURE BULB
36	63009705	1		FILTRO OLIO OELFILTER		FILTRE HUILE		OIL FILTER

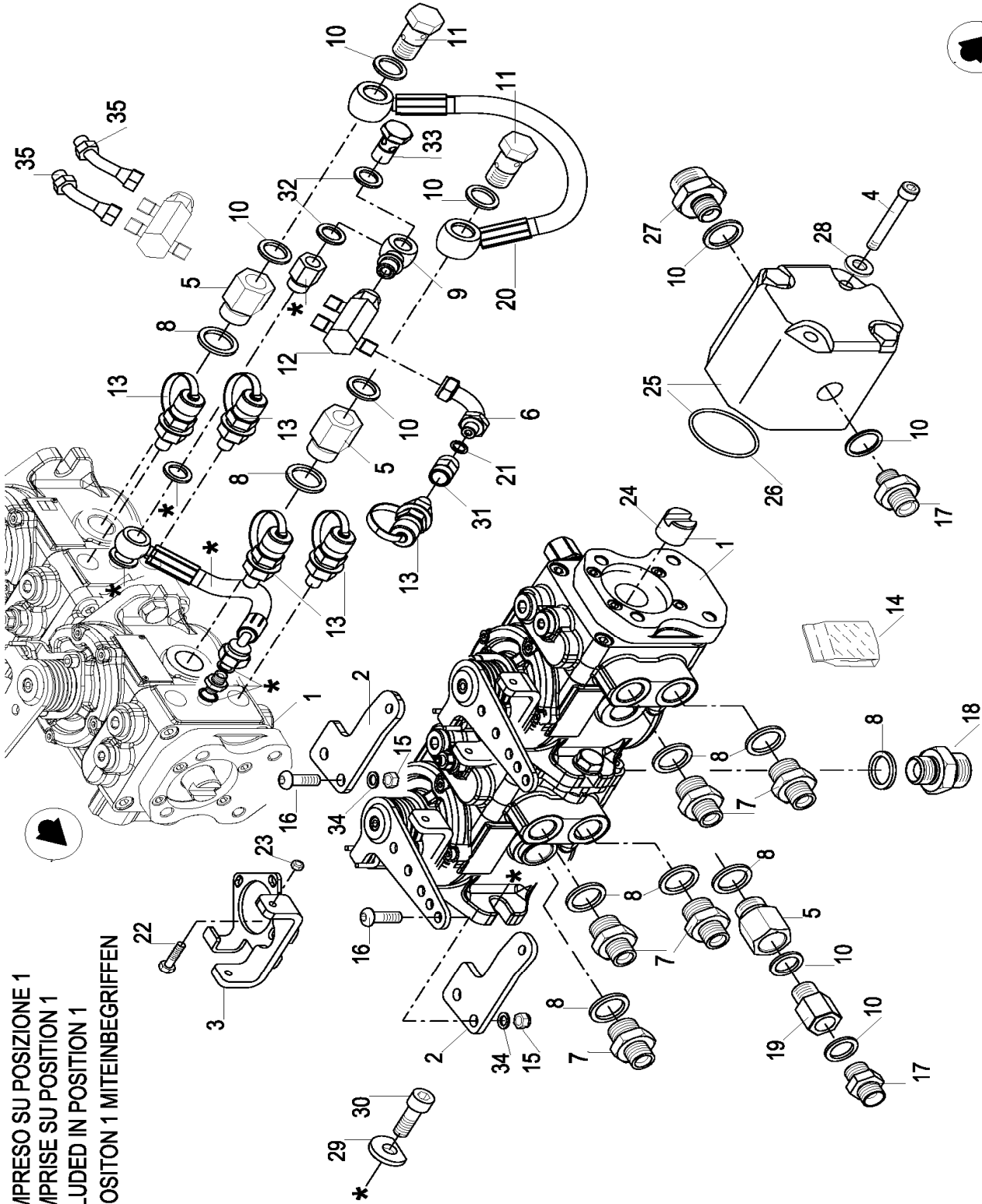
Tav. 03-01 - 96030635

<i>P.</i>	<i>Codice</i>	<i>Q.</i>	① ② <i>Denominazione Benennung</i>	③ <i>Description</i>	④ <i>Description</i>

- (I) MOTORE : RACCORDERIA POMPA IDROSTATICA
- (F) MOTEUR: RACCORDS PUMPE HYDROSTATIQUE
- (GB) ENGINE: HYDROSTATIC PUMP FITTINGS
- (D) MOTOR: ANSCHLUESSE HIDROSTATISCHE PUMPE

TAV. 03-02
96030640

.09684453 SOTT. 3 ATTACCHI CINGOLATO IDRO. TC120 B&S 23cv UNIFICATO



* COMPRESO SU POSIZIONE 1
 COMPRISE SU POSITION 1
 INCLUDED IN POSITION 1
 IN POSITON 1 MITEINBEGRIFFEN

96030640
 LUCIANI 27.04.23

Tav. 03-02 - 96030640

<i>P.</i>	<i>Codice</i>	<i>Q.</i>	① ② <i>Denominazione Benennung</i>	③ <i>Description</i>	④ <i>Description</i>
1	065262	1	POMPA PUMPE	POMPE	PUMP
2	23150293	2	LEVA COMPLETA	LEVIER COMPLET	COMPLETE LEVER
3	25150285	2	REGISTRO ZUGREGLER	REGLAGE	ADJUSTER
4	03235280	2	VITE SCHRAUBE	VIS	SCREW
5	13154200	3	RACCORDO ANSCHLUSS	RACCORD	CONNECTOR
6	03600009	1	CURVA KRUMMER	COURBE	ELBOW
7	13153900	5	RACCORDO ANSCHLUSS	RACCORD	CONNECTOR
8	03160006	9	RONDELLA SCHEIBE	RONDELLE	WASHER
9	03150303	1	RACCORDO ANSCHLUSS	RACCORD	CONNECTOR
10	03160902	8	RONDELLA SCHEIBE	RONDELLE	WASHER
11	03150600	2	VITE SCHRAUBE	VIS	SCREW
12	03635007	1	RACCORDO ANSCHLUSS	RACCORD	CONNECTOR
13	13845200	5	INNESTO DI CONTROLLO KONTROLLKUPPLUNG	EMBAYAGE DE CONTROLE	CHECKING COUPLING
14	62499858	1	KIT - GUARNIZIONI SATZ - DICHTUNGS	KIT - JOINTS	KIT - SEALS
15	03365150	4	DADO MUTTER	ECROU	NUT
16	03237702	4	VITE SCHRAUBE	VIS	SCREW
17	13152800	2	GIUNZIONE VERBINDUNG	ASSEMBLAGE	JUNCTION
18	13154000	1	RACCORDO ANSCHLUSS	RACCORD	CONNECTOR
19	03621100	1	RACCORDO ANSCHLUSS	RACCORD	CONNECTOR
20	03123401	1	TUBO ROHRE	TUYAU	PIPE
21	03160900	1	RONDELLA SCHEIBE	RONDELLE	WASHER
22	03220601	4	VITE SCHRAUBE	VIS	SCREW
23	03364003	4	DADO MUTTER	ECROU	NUT
24	62799612	1	GIUNTO KUPPLUNG	JOINT	JOINT
25	065263	1	POMPA PUMPE	POMPE	PUMP
26	67490039	1	ANELLO O.R. O.R. RING	ANNEAU O.R.	O.R. RING
27	13154010	1	RIDUZIONE REDUZIERSTUCK	REDUCTION	REDUCTION
28	03385000	2	ROSETTA SCHEIBE	RONDELLE	WASHER
29	45071165	2	ROSETTA SCHEIBE	RONDELLE	WASHER
30	03244902	2	VITE SCHRAUBE	VIS	SCREW
31	03620202	1	RACCORDO ANSCHLUSS	RACCORD	CONNECTOR
32	03160910	2	RONDELLA SCHEIBE	RONDELLE	WASHER

Tav. 03-02 - 96030640

<i>P.</i>	<i>Codice</i>	<i>Q.</i>	ⓘ ⓘ <i>Denominazione Benennung</i>	ⓘ <i>Description</i>	ⓘ <i>Description</i>
33	03150006	1	VITE SCHRAUBE	VIS	SCREW
34	03385201	2	ROSETTA SCHEIBE	RONDELLE	WASHER
35	03600010	2	CURVA KRUMMER	COURBE	ELBOW

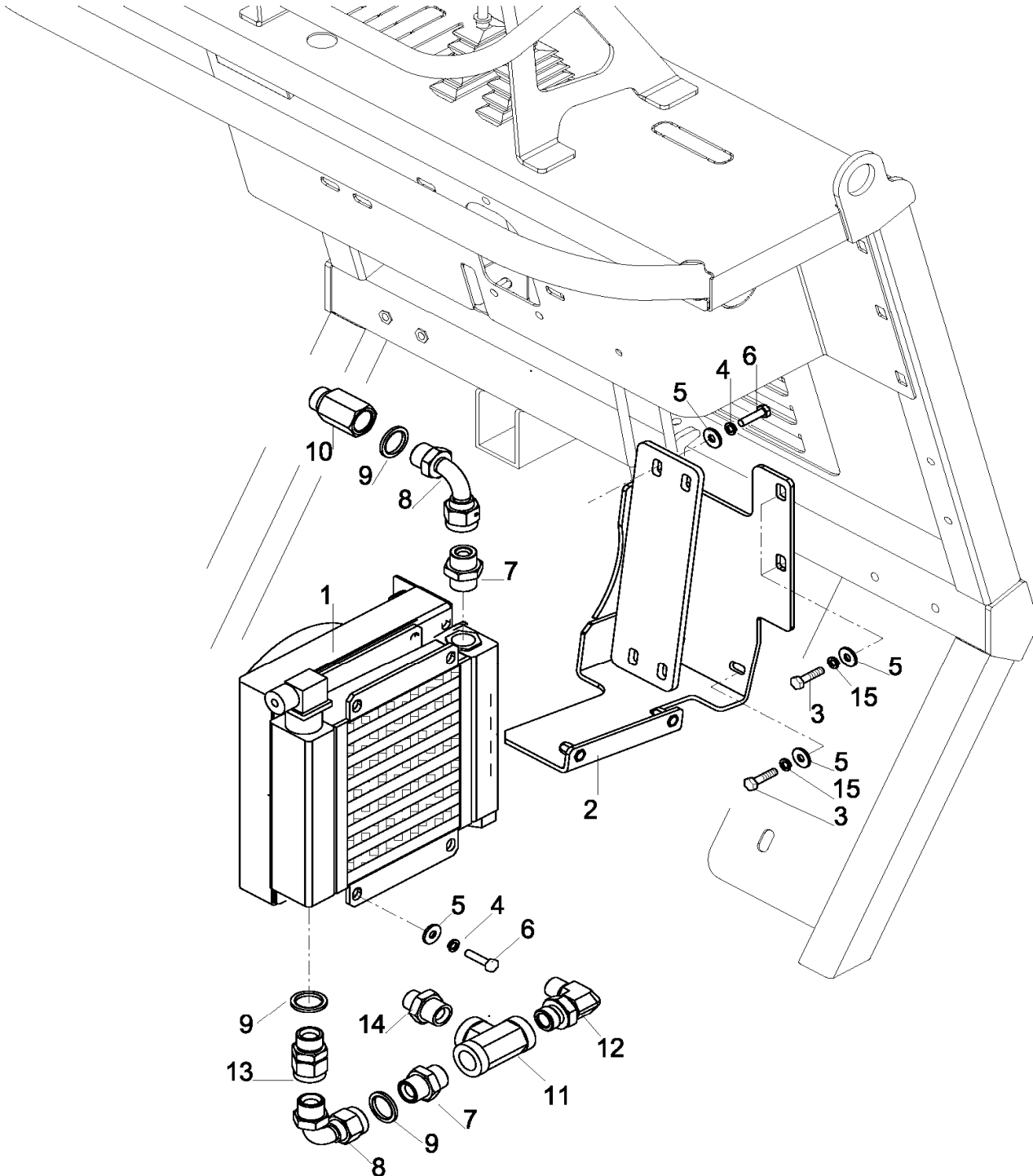
Tav. 03-02 - 96030640

<i>P.</i>	<i>Codice</i>	<i>Q.</i>	ⓘ ⓘ <i>Denominazione Benennung</i>	ⓘ <i>Description</i>	ⓘ <i>Description</i>

- Ⓘ MOTORE : RADIATORE OLIO
- Ⓕ MOTEUR: RADIATEUR
- ⒼⒸ ENGINE: ENGINE OIL RADIATOR
- Ⓓ MOTOR: OLKUHLER

TAV. 03-03
96030636

.09684453 SOTT. 3 ATTACCHI CINGOLATO IDRO. TC120 B&S 23cv UNIFICATO



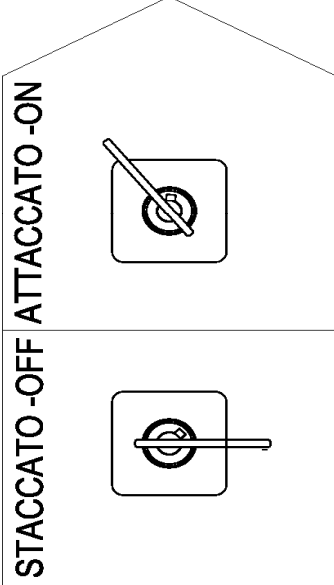
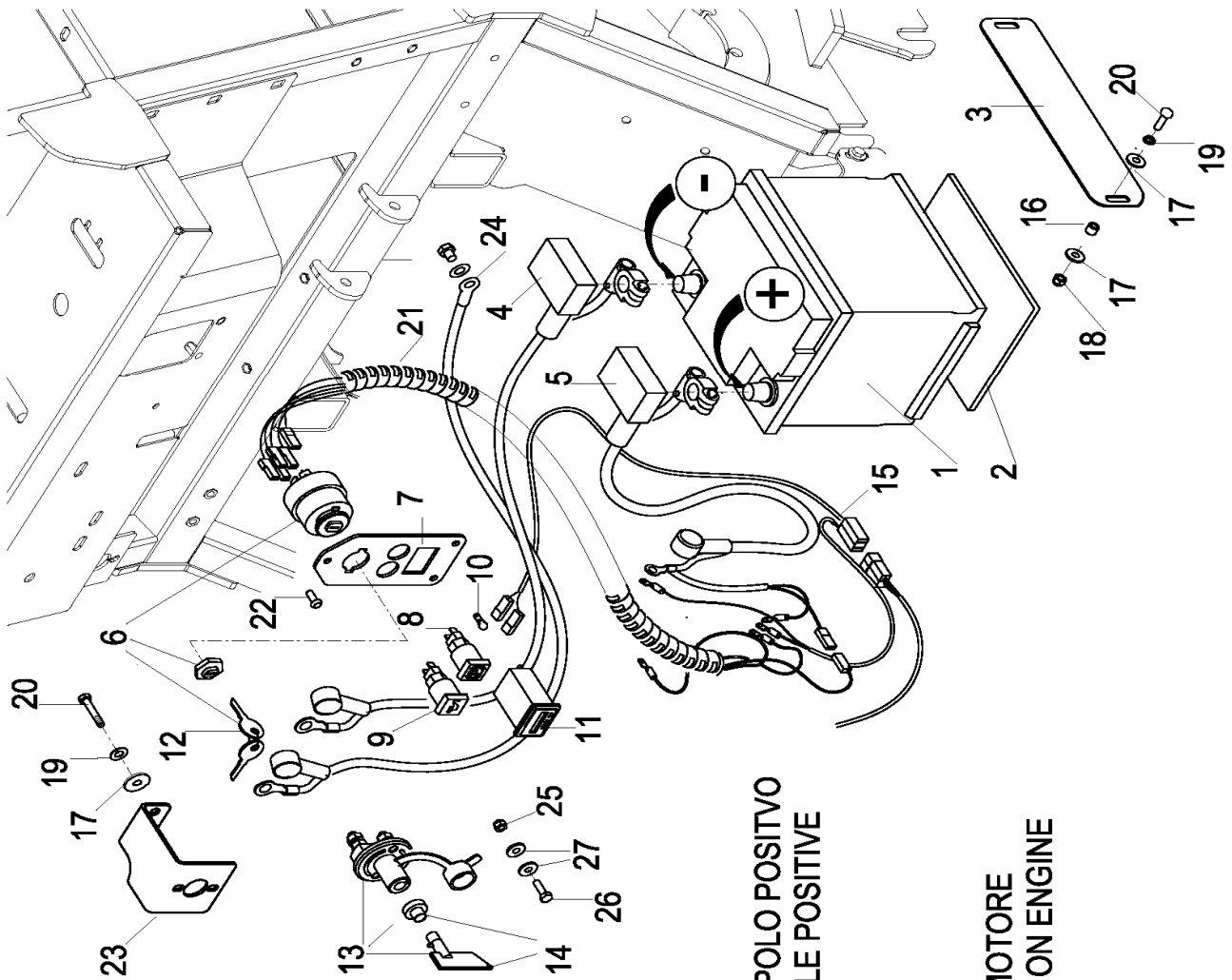
Tav. 03-03 - 96030636

<i>P.</i>	<i>Codice</i>	<i>Q.</i>	① ② <i>Denominazione Benennung</i>	③ <i>Description</i>	④ <i>Description</i>
1	073500	1	RADIATORE KHULER	RADIATEUR	RADIATOR
2	45155465	1	SUPPORTO HALTERUNG	SUPPORT	SUPPORT
3	03220701	4	VITE SCHRAUBE	VIS	SCREW
4	03383000	4	ROSETTA SCHEIBE	RONDELLE	WASHER
5	03383311	10	ROSETTA SCHEIBE	RONDELLE	WASHER
6	03220601	6	VITE SCHRAUBE	VIS	SCREW
7	13152900	2	GIUNZIONE VERBINDUNG	ASSEMBLAGE	JUNCTION
8	03606000	2	CURVA KRUMMER	COURBE	ELBOW
9	03160006	3	RONDELLA SCHEIBE	RONDELLE	WASHER
10	03628100	1	PROLUNGA VERLANGERUNG	RACCORD	CONNECTOR
11	03639800	1	GIUNZIONE VERBINDUNG	ASSEMBLAGE	JUNCTION
12	13161211	1	RACCORDO ANSCHLUSS	RACCORD	CONNECTOR
13	13152600	1	GIUNZIONE VERBINDUNG	ASSEMBLAGE	JUNCTION
14	13153900	2	GIUNZIONE VERBINDUNG	ASSEMBLAGE	JUNCTION
15	03383000	4	ROSETTA SCHEIBE	RONDELLE	WASHER

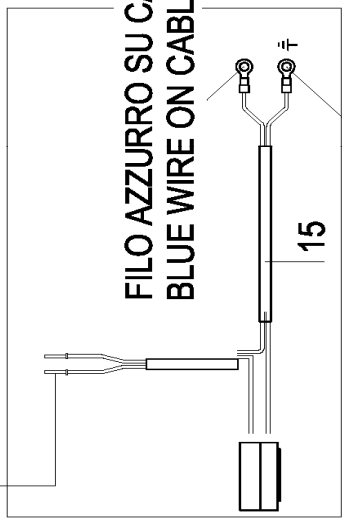
- ① MOTORE : IMPIANTO ELETTRICO
- ② MOTEUR: INSTALLATION ELECTRIQUE
- ③ ENGINE: ELECTRIC SYSTEM
- ④ MOTOR: ELEKTRISCHE ANLAGE

TAV. 03-04
96030637

.09684453 SOTT. 3 ATTACCHI CINGOLATO IDRO. TC120 B&S 23cv UNIFICATO



A BULBO SU RADIATORE
CONNECT BULB ON RADIATOR



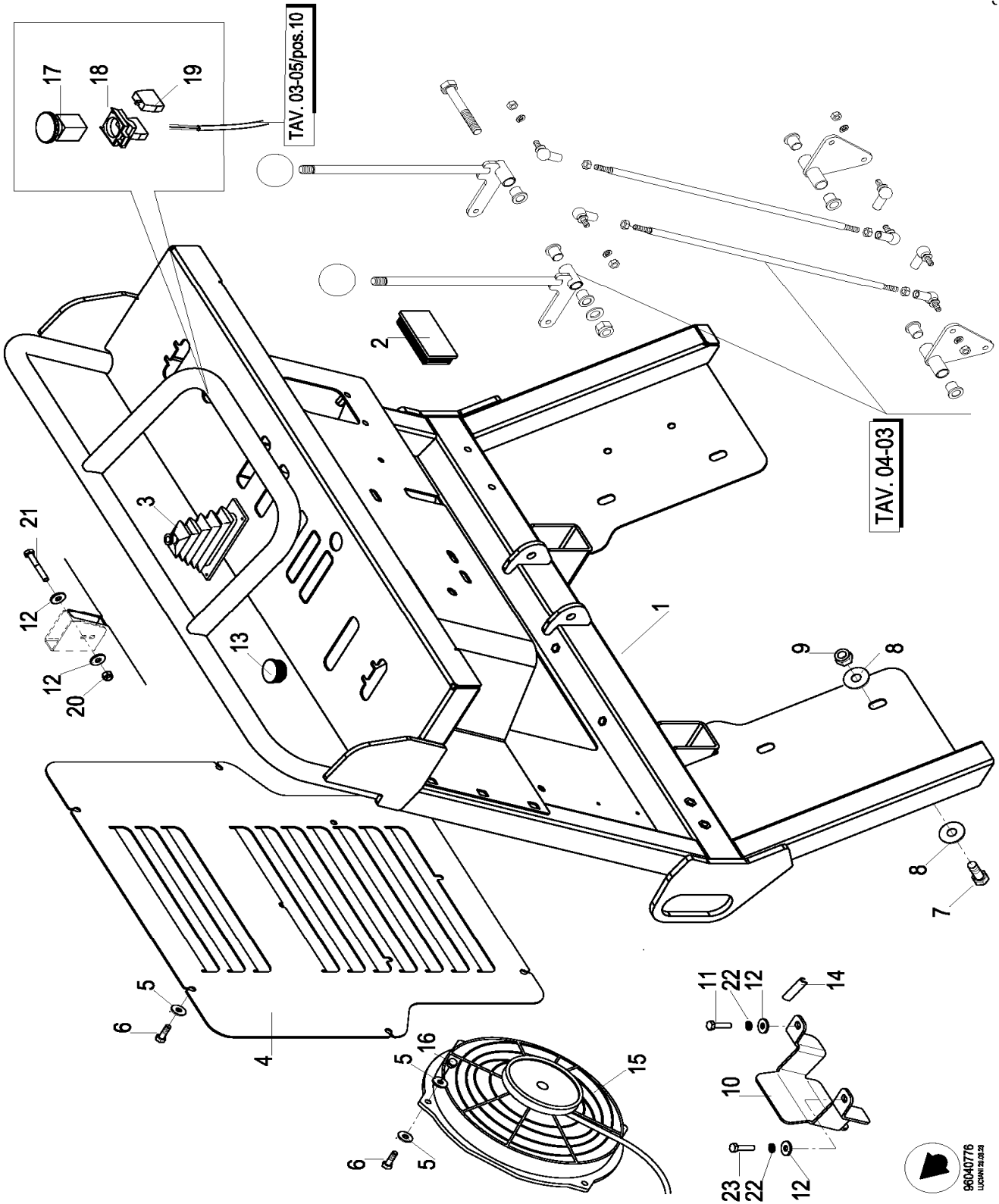
Tav. 03-04 - 96030637

<i>P.</i>	<i>Codice</i>	<i>Q.</i>	① ② <i>Denominazione Benennung</i>	③ <i>Description</i>	④ <i>Description</i>
1	03010017	1	BATTERIA	BATTERIE	BATTERY
2	30013521	1	BATTERIE PROTEZIONE	PROTECTION	PROTECTION
3	45500258	1	SCHUTZ STAFFA	ETRIER	CLAMP
4	60031668	1	TRAGBUGEL CAVO POLO	CABLE POLE	POLE CABLE
5	60031990	1	PLUSPOLKABLE CAVO POLO POSITIVO	CABLE POLE POSITIF	POSITIVE POLE CABLE
6	63472712	1	PLUSPOLKABLE INTERRUTTORE AVVIAMENTO	INTERRUPTEUR DE DEMARRAGE	STARTING SWITCH
7	60020196	1	ANLASSENSCHALTER PIASTRINO	PLAQUE	PLATE
8	33482061	1	PLATTE SPIA	TEMOIN	WARNING LIGHT
9	33480200	1	KONTROLLEUCHTE SPIA	TEMOIN	WARNING LIGHT
10	03480601	2	KONTROLLEUCHTE LAMPADA	LAMPE	LAMP
11	03484203	1	LAMPE CONTAORE	COMPTE-HEURES	HOUR COUNTER
12	63472715	2	STUNDENZAEHLER CHIAVE	CLE	KEY
13	065264	1	SCHLUSSEL STACCABATTERIA	DETACHEMENT DE BATTERIE	BATTERY DISCONNECTING DEVICE
14	63471800	1	BATTERIE-ABTRENNUNGSVORRICHTUNG PROTEZIONE	PROTECTION	PROTECTION
15	60031991	1	SCHUTZ IMP.ELETTRICO	INSTALLATION ELECTRIQUE	ELECTRIC SYSTEM
16	45020491	2	ELEKTROANLAGE DISTANZIALE	ENTRETOISE	SPACER
17	03383311	6	DISTANZSTUCK ROSETTA	RONDELLE	WASHER
18	03364010	4	SCHEIBE DADO	ECROU	NUT
19	03383000	4	MUTTER ROSETTA	RONDELLE	WASHER
20	03220601	4	SCHEIBE VITE	VIS	SCREW
21	60032008	1	SCHRAUBE LINEA CRUSCOTTO	LIGNE TABLEAU DE BORD	DASHBOEARD LINE
22	03227700	3	SCHALTBRETTLINIE VITE	VIS	SCREW
23	45152731	1	SCHRAUBE SUPPORTO	SUPPORTE	SUPPORT
24	60031667	1	HALTERUNG CAVO POLO NEGATIVO	CABLE POLE NEGATIF	NEGATIVE POLE CABLE
25	03364010	2	MINUSPOLKABEL DADO	ECROU	NUT
26	03220701	2	MUTTER VITE	VIS	SCREW
27	03383201	4	SCHRAUBE ROSETTA	RONDELLE	WASHER
			SCHEIBE		

- Ⓛ POSTO GUIDA
- ⓕ POSTE DE CONDUITE
- ⓖⓑ DRIVING PLACE
- ⓓ FAHRSTAND

TAV. 04-01
96040776

.09684453 SOTT. 3 ATTACCHI CINGOLATO IDRO. TC120 B&S 23cv UNIFICATO



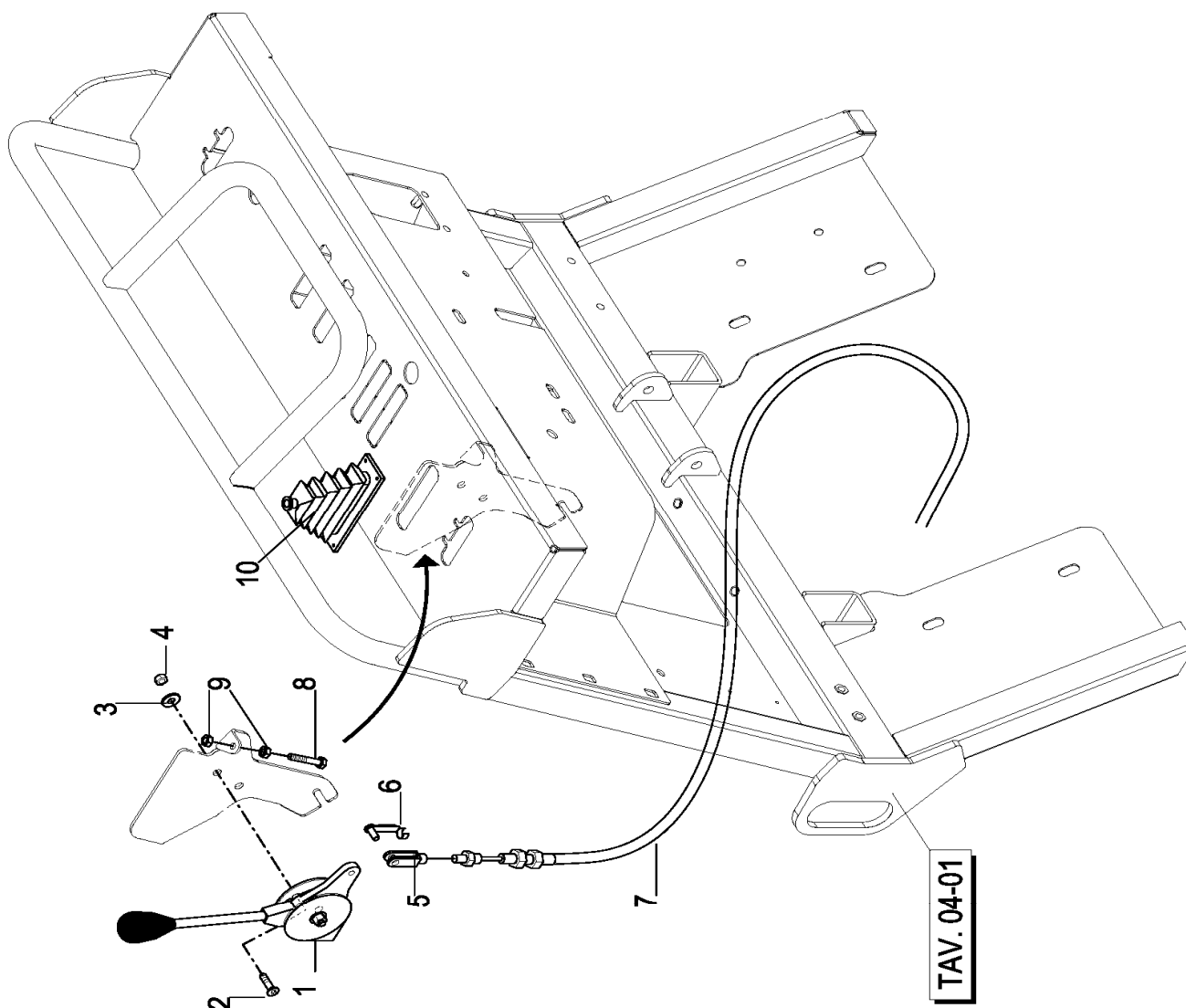
Tav. 04-01 - 96040776

<i>P.</i>	<i>Codice</i>	<i>Q.</i>	① ② <i>Denominazione Benennung</i>	③ <i>Description</i>	④ <i>Description</i>
1	55031004	1	POSTO GUIDA FAHRSTAND	POSTE DE CONDUITE	DRIVING PLACE
2	13480010	1	TAPPO STOPFEN	BOUCHON	PLUG
3	065266	3	CUFFIA SCHUTZKASTEN	PROTECTION	PROTECTION
4	30014950	1	PROTEZIONE SCHUTZ	PROTECTION	PROTECTION
5	03383311	14	ROSETTA SCHEIBE	RONDELLE	WASHER
6	03227702	10	VITE SCHRAUBE	VIS	SCREW
7	03240501	6	VITE SCHRAUBE	VIS	SCREW
8	03386011	12	ROSETTA SCHEIBE	RONDELLE	WASHER
9	03366300	6	DADO MUTTER	ECROU	NUT
10	30014864	1	STAFFA TRAGBUGEL	ETRIER	CLAMP
11	03220701	1	VITE SCHRAUBE	VIS	SCREW
12	03383311	4	ROSETTA SCHEIBE	RONDELLE	WASHER
13	13480200	2	TAPPO STOPFEN	BOUCHON	PLUG
14	30320518	1	PROTEZIONE SCHUTZ	PROTECTION	PROTECTION
15	070708	1	ELETTRIVENTOLA ELEKTROLUFTERRAD	ELECTRO-VENTILATEUR	ELECTRIC FAN
16	03364010	4	DADO MUTTER	ECROU	NUT
17	83211103	1	PULSANTE DRUCKKNOPF	BOUTON POUSSOIR	PUSHBUTTON
18	83211101	1	CORPO KORPER	CORPS	BODY
19	83211100	1	CORPO KORPER	CORPS	BODY
20	03364010	1	DADO MUTTER	ECROU	NUT
21	03221000	1	VITE SCHRAUBE	VIS	SCREW
22	03383000	2	ROSETTA SCHEIBE	RONDELLE	WASHER
23	03220601	1	VITE SCHRAUBE	VIS	SCREW

- ① COMANDO ACCELERATORE
- ② COMMANDE ACCELERATEUR
- ③ ACCELERATOR CONTROL
- ④ AKZELERATOR STEUERUNG

TAV. 04-02
96040777

.09684453 SOTT. 3 ATTACCHI CINGOLATO IDRO. TC120 B&S 23cv UNIFICATO



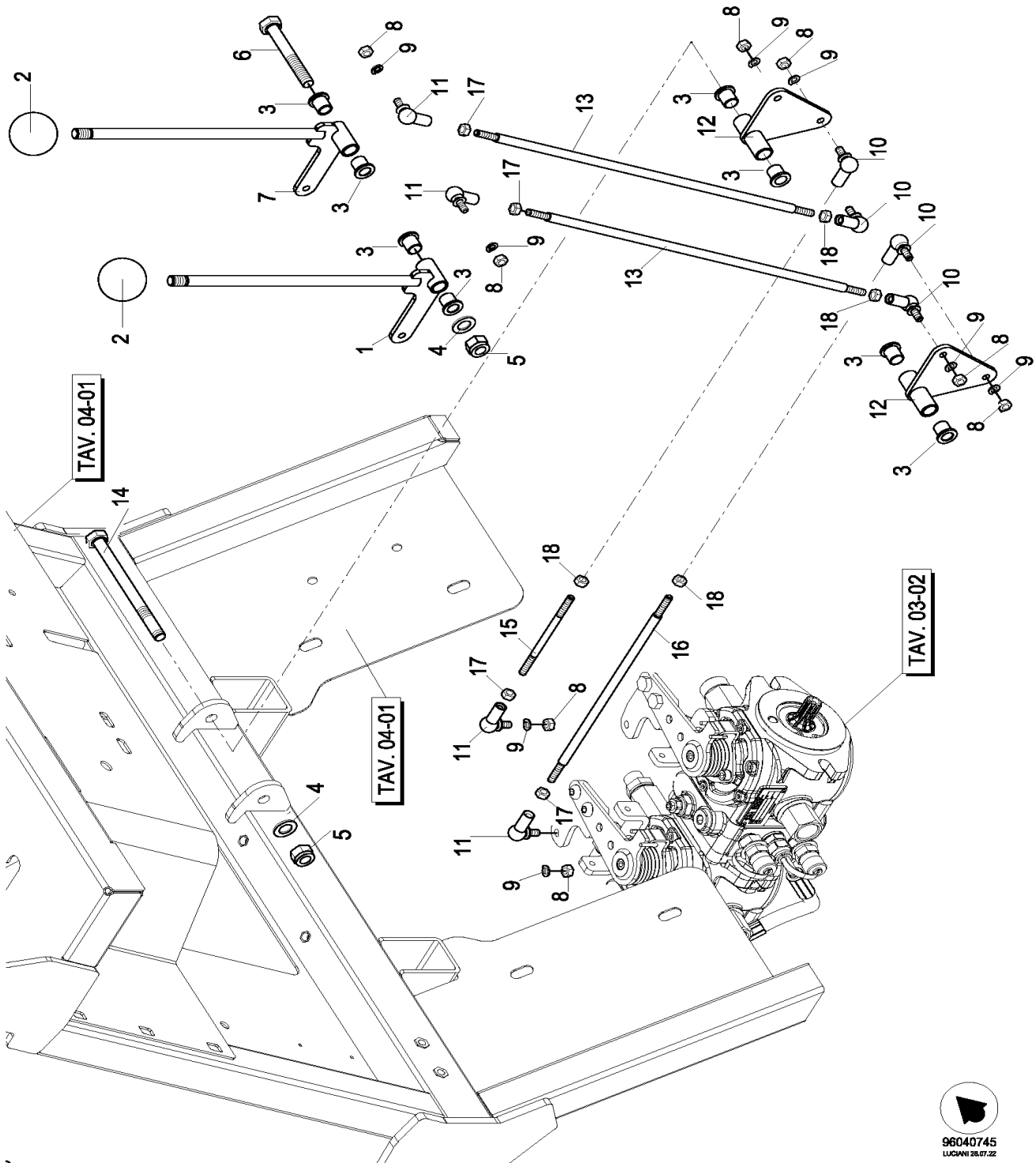
Tav. 04-02 - 96040777

<i>P.</i>	<i>Codice</i>	<i>Q.</i>	① ② <i>Denominazione Benennung</i>	③ <i>Description</i>	④ <i>Description</i>
1	071909	1	MANETTINO HANDHEBEL	MANETTE	HAND-LEVER
2	03227520	2	VITE SCHRAUBE	VIS	SCREW
3	03383311	2	ROSETTA SCHEIBE	RONDELLE	WASHER
4	03364010	2	DADO MUTTER	ECROU	NUT
5	071906	1	FORCELLA GABEL	FOURCHE	FORK
6	071907	1	PERNO BOLZEN	PIVOT	PIN
7	065268	1	CAVO COMPLETO KOMPLETTES KABEL	CABLE COMPLET	COMPLETE CABLE
8	03220901	1	VITE SCHRAUBE	VIS	SCREW
9	03364001	2	DADO MUTTER	ECROU	NUT
10	065266	1	CUFFIA SCHUTZKASTEN	PROTECTION	PROTECTION

- Ⓘ COMANDO TRASLAZIONE
- Ⓕ COMMANDE DE TRASLATION
- ⒼⒷ TRANSLATIONCONTROL
- Ⓓ FAHRHEBEL

TAV. 04-03
96040778

.09684453 SOTT. 3 ATTACCHI CINGOLATO IDRO. TC120 B&S 23cv UNIFICATO



Tav. 04-03 - 96040778

<i>P.</i>	<i>Codice</i>	<i>Q.</i>	① ② <i>Denominazione Benennung</i>	③ <i>Description</i>	④ <i>Description</i>
1	23150293	1	LEVA COMPLETA	LEVIER COMPLET	COMPLETE LEVER
2	03581202	2	IMPUGNATURA KNEBELGRIFF	POIGNEE	HANDGRIP
3	33592601	8	BOCCOLA BUECHSE	DOUILLE	BUSH
4	03386201	2	ROSETTA SCHEIBE	RONDELLE	WASHER
5	03366300	2	DADO MUTTER	ECROU	NUT
6	03241700	1	VITE SCHRAUBE	VIS	SCREW
7	23150292	1	LEVA COMPLETA	LEVIER COMPLET	COMPLETE LEVER
8	03364010	8	DADO MUTTER	ECROU	NUT
9	03383000	8	ROSETTA SCHEIBE	RONDELLE	WASHER
10	03554001	4	SNODO SX LINKS GELENK	JOINT GAUCHE	LEFT ARTICULATION
11	03554000	4	SNODO GELENK	JOINT	ARTICULATION
12	50101182	2	BIELLA PLEUEL	BIELLE	CONNECTING ROD
13	50101184	2	LEVA COMANDO STEUERHEBEL	LEVIER DE COMMANDE	CONTROL LEVER
14	03242000	1	VITE SCHRAUBE	VIS	SCREW
15	50101241	1	TIRANTE GESTANGE	TIRANT	TIE ROD
16	50101240	1	TIRANTE GESTANGE	TIRANT	TIE ROD
17	03364001	4	DADO MUTTER	ECROU	NUT
18	03364002	4	DADO SX LINKS MUTTER	ECROU GAUCHE	LEFT NUT

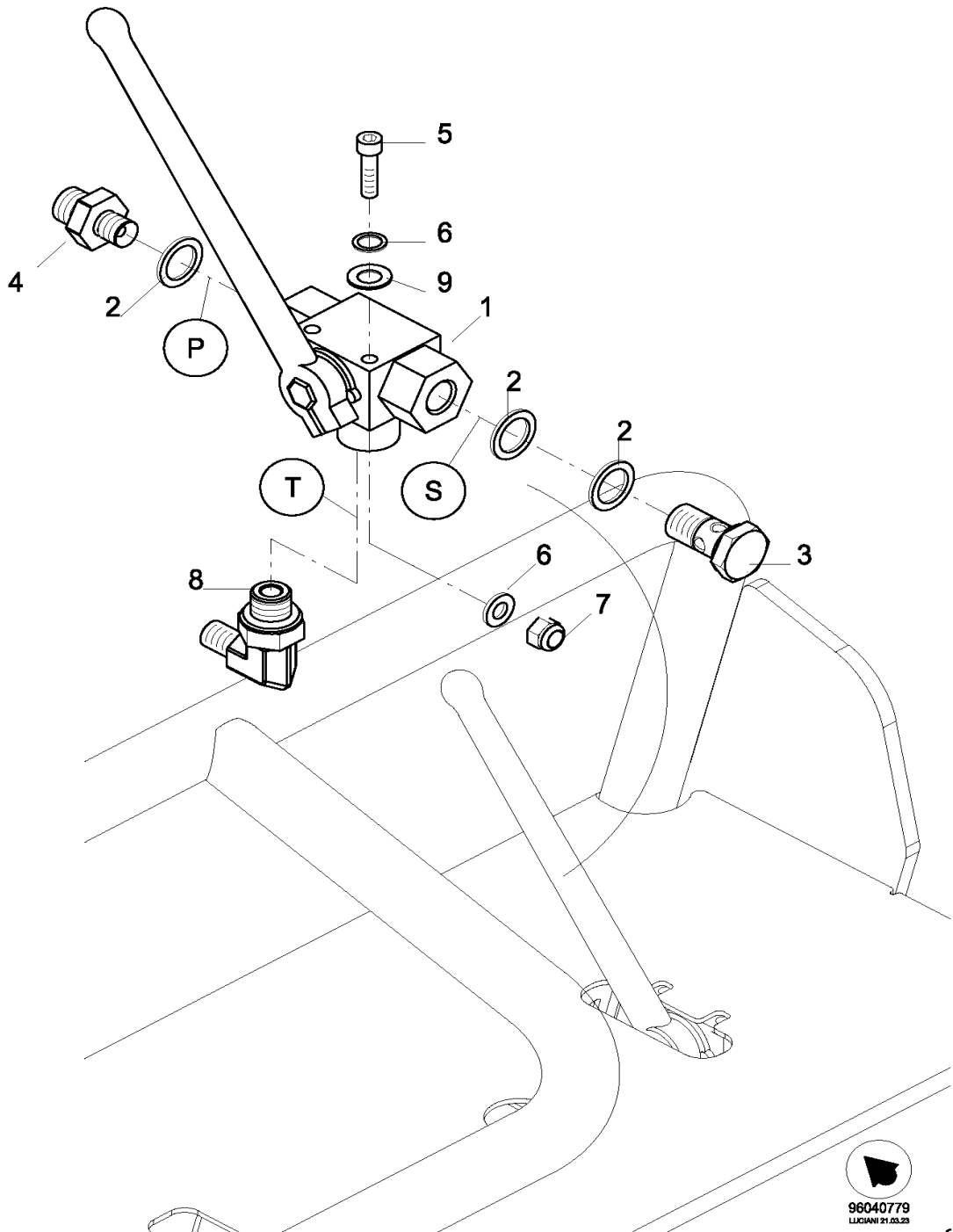


POSTO GUIDA: LEVA FRENO

TAV. 04-04

96040779

.09684453 SOTT. 3 ATTACCHI CINGOLATO IDRO. TC120 B&S 23cv UNIFICATO



Tav. 04-04 - 96040779

<i>P.</i>	<i>Codice</i>	<i>Q.</i>	① ② <i>Denominazione Benennung</i>	⑤ <i>Description</i>	⑥ <i>Description</i>
1	13840026	1	RUBINETTO HAHN	ROBINET	TAP
2	03160901	3	RONDELLA SCHEIBE	RONDELLE	WASHER
3	03150006	1	VITE SCHRAUBE	VIS	SCREW
4	13150036	1	RIDUZIONE REDUZIERSTUCK	REDUCTION	REDUCTION
5	03214600	2	VITE SCHRAUBE	VIS	SCREW
6	03381000	4	ROSETTA SCHEIBE	RONDELLE	WASHER
7	03363100	2	DADO MUTTER	ECROU	NUT
8	13161229	1	RACCORDO ANSCHLUSS	RACCORD	CONNECTOR
9	03383201	2	ROSETTA SCHEIBE	RONDELLE	WASHER

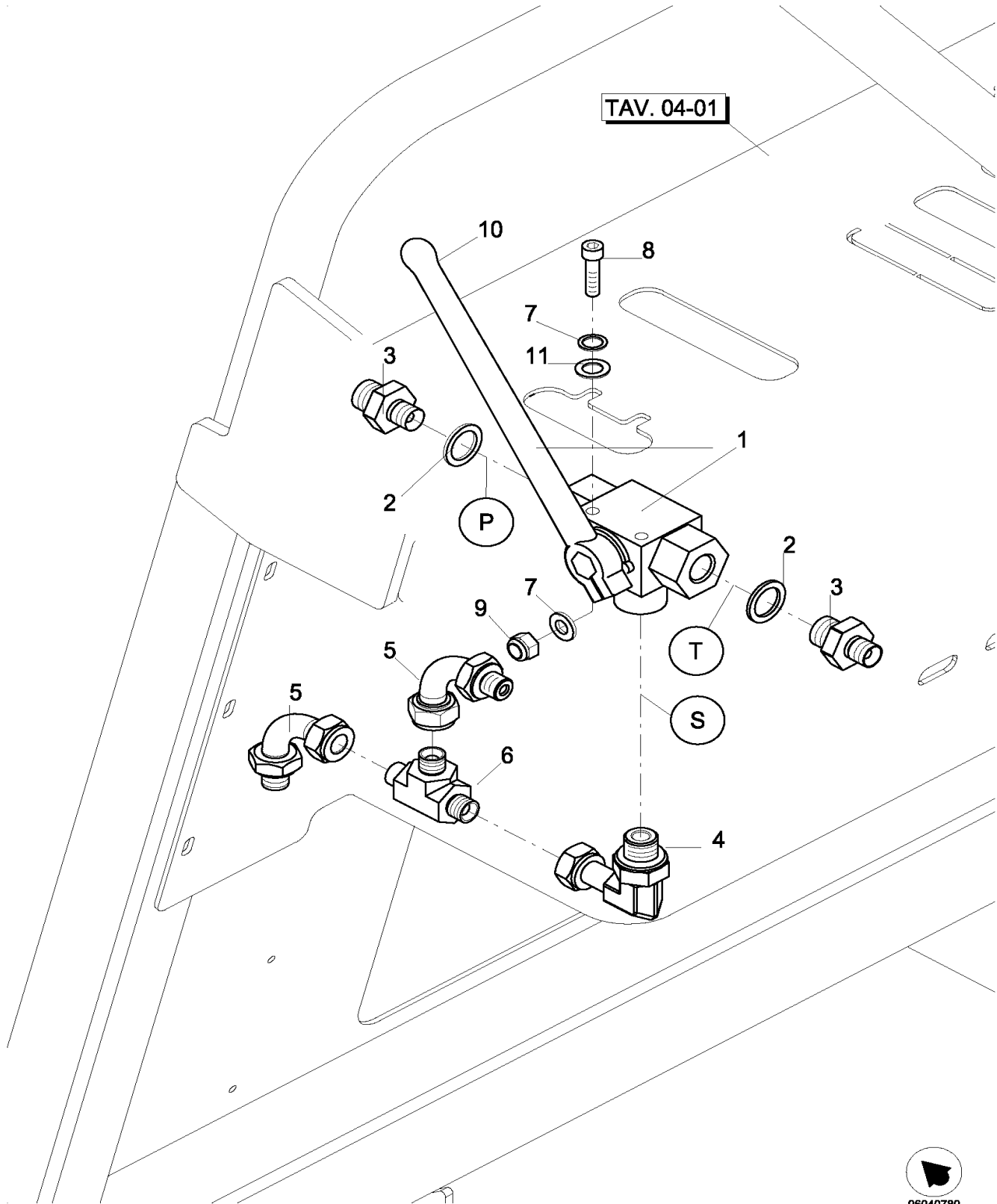
- Ⓛ
- ⓕ
- ⓖⓑ
- ⓓ

POSTO GUIDA: SELEZIONATORE MARCIA

TAV. 04-05

96040780

.09684453 SOTT. 3 ATTACCHI CINGOLATO IDRO. TC120 B&S 23cv UNIFICATO



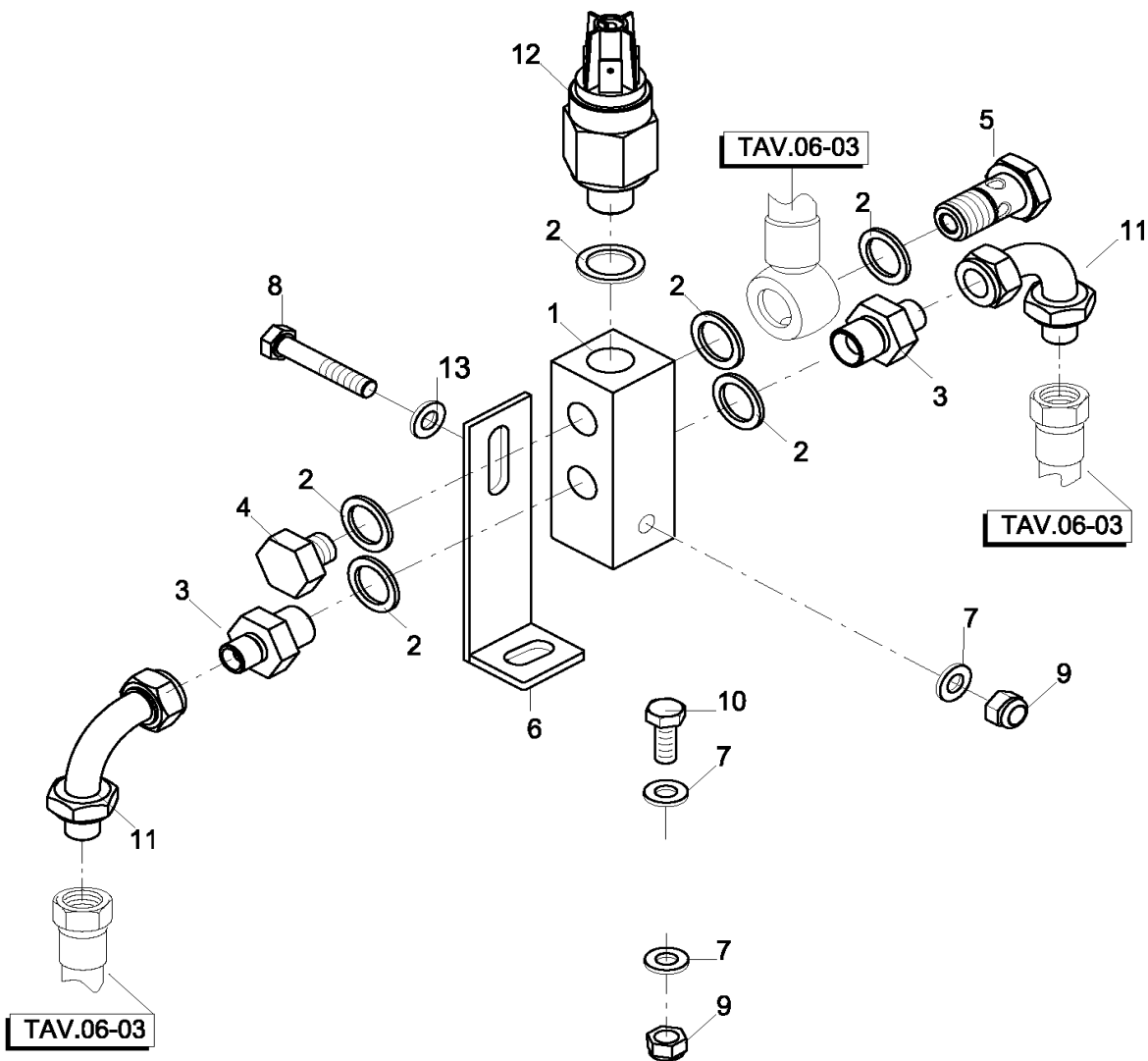
Tav. 04-05 - 96040780

<i>P.</i>	<i>Codice</i>	<i>Q.</i>	① ② <i>Denominazione Benennung</i>	⑤ <i>Description</i>	⑥ <i>Description</i>
1	13840026	1	RUBINETTO HAHN	ROBINET	TAP
2	03160901	2	RONDELLA SCHEIBE	RONDELLE	WASHER
3	13150036	2	RACCORDO ANSCHLUSS	RACCORD	CONNECTOR
4	13161234	1	RACCORDO ANSCHLUSS	RACCORD	CONNECTOR
5	03600009	2	CURVA KRUMMER	COURBE	ELBOW
6	03630302	1	GIUNZIONE VERBINDUNG	ASSEMBLAGE	JUNCTION
7	03381000	4	ROSETTA SCHEIBE	RONDELLE	WASHER
8	03214600	2	VITE SCHRAUBE	VIS	SCREW
9	03363100	2	DADO MUTTER	ECROU	NUT
10	63840000	1	LEVA HEBEL	LEVIER	LEVER
11	03383201	2	ROSETTA SCHEIBE	RONDELLE	WASHER

- Ⓘ POSTO GUIDA: BLOCCHETTO DRENAGGI E SERVOCOMANDI
- Ⓕ PLACE DE CONDUITE: GROUPE VALVES DRAINAGES ET SERVO COMMANDES
- ⒼB DRIVING PLACE: BOX FOR DRAINAGS AND SERVOCONTROLS
- Ⓓ FAHRERPLATZ: KASTEN DRANIERUNGEN UND SEROBEDIENUNGEN

TAV. 04-06
96040602

.09684453 SOTT. 3 ATTACCHI CINGOLATO IDRO. TC120 B&S 23cv UNIFICATO



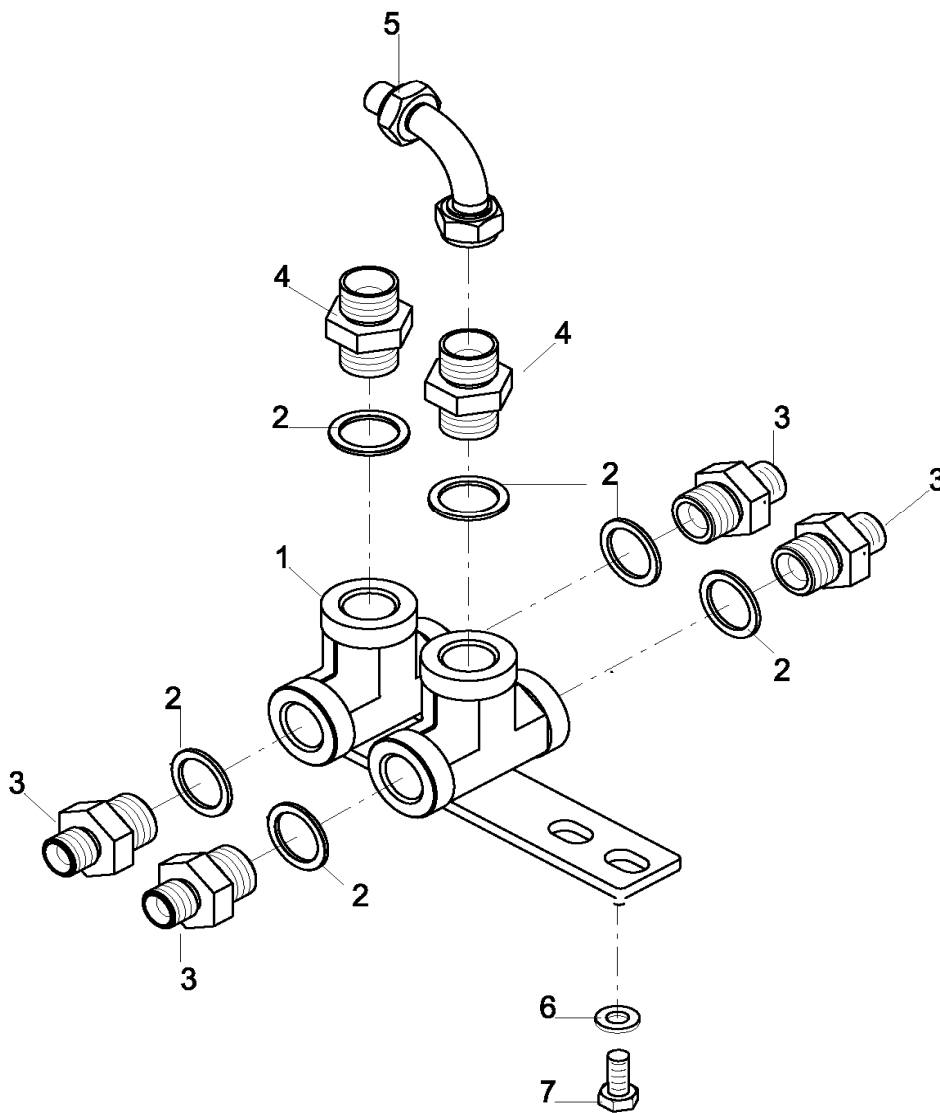
Tav. 04-06 - 96040602

<i>P.</i>	<i>Codice</i>	<i>Q.</i>	① ② <i>Denominazione Benennung</i>	Ⓕ <i>Description</i>	Ⓖ <i>Description</i>
1	25200650	1	RACCORDO ANSCHLUSS	RACCORD	CONNECTOR
2	03160901	6	RONDELLA SCHEIBE	RONDELLE	WASHER
3	13150036	2	RACCORDO ANSCHLUSS	RACCORD	CONNECTOR
4	13166010	1	TAPPO STOPFEN	BOUCHON	PLUG
5	03150006	1	VITE SCHRAUBE	VIS	SCREW
6	45500134	1	SUPPORTO HALTERUNG	SUPPORT	SUPPORT
7	03383202	3	ROSETTA SCHEIBE	RONDELLE	WASHER
8	03220901	1	VITE SCHRAUBE	VIS	SCREW
9	03364010	2	DADO MUTTER	ECROU	NUT
10	03220401	1	VITE SCHRAUBE	VIS	SCREW
11	03600009	2	CURVA KRUMMER	COURBE	ELBOW
12	065582	1	PRESSOSTATO DRUCKWACHTER	PRESSOSTAT	SWITCH
13	03383311	1	ROSETTA SCHEIBE	RONDELLE	WASHER

- ① RACCORDO PER DRENAGGI
- ② PLACE DE CONDUITE: RACCORD DRAINAGES
- ③ DRIVING PLACE: CONNERCTOR FOR DRAINAGES
- ④ FAHRERPLATZ: ANSCHLUSS FUER DRAENIERUNGEN

TAV. 04-07
96040383

.09684453 SOTT. 3 ATTACCHI CINGOLATO IDRO. TC120 B&S 23cv UNIFICATO



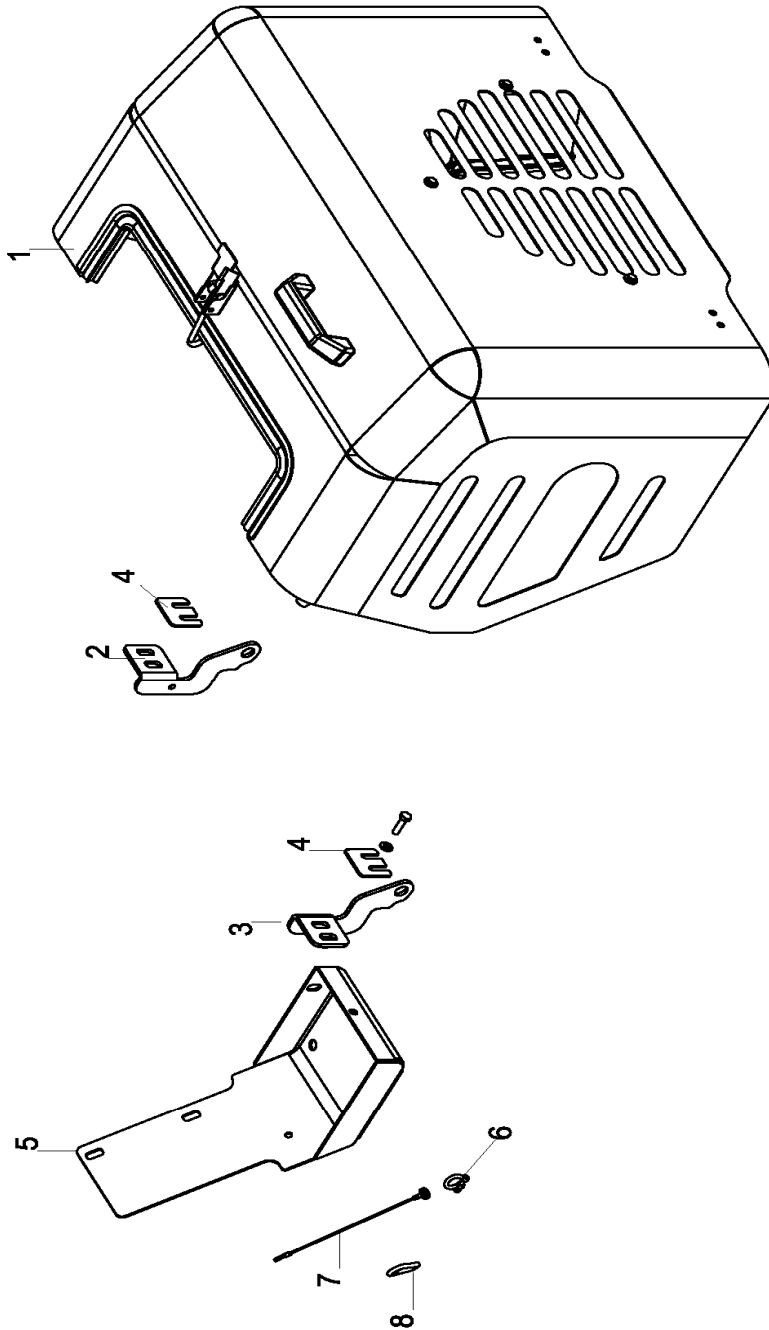
Tav. 04-07 - 96040383

<i>P.</i>	<i>Codice</i>	<i>Q.</i>	ⓘ ⓘ <i>Denominazione Benennung</i>	ⓘ <i>Description</i>	ⓘ <i>Description</i>
1	25200637	1	RACCORDO ANSCHLUSS	RACCORD	CONNECTOR
2	03160902	6	RONDELLA SCHEIBE	RONDELLE	WASHER
3	13153950	4	GIUNZIONE VERBINDUNG	ASSEMBLAGE	JUNCTION
4	13152800	2	GIUNZIONE VERBINDUNG	ASSEMBLAGE	JUNCTION
5	03600007	1	CURVA KRUMMER	COURBE	ELBOW
6	03386050	2	ROSETTA SCHEIBE	RONDELLE	WASHER
7	03230601	2	VITE SCHRAUBE	VIS	SCREW

- Ⓡ COFANO MOTORE
- Ⓡ CAPOT MOTEUR
- Ⓡ ENGINE HOOD
- Ⓡ MOTORHAUBEN

TAV. 05-01
96050576

.09684453 SOTT. 3 ATTACCHI CINGOLATO IDRO. TC120 B&S 23cv UNIFICATO



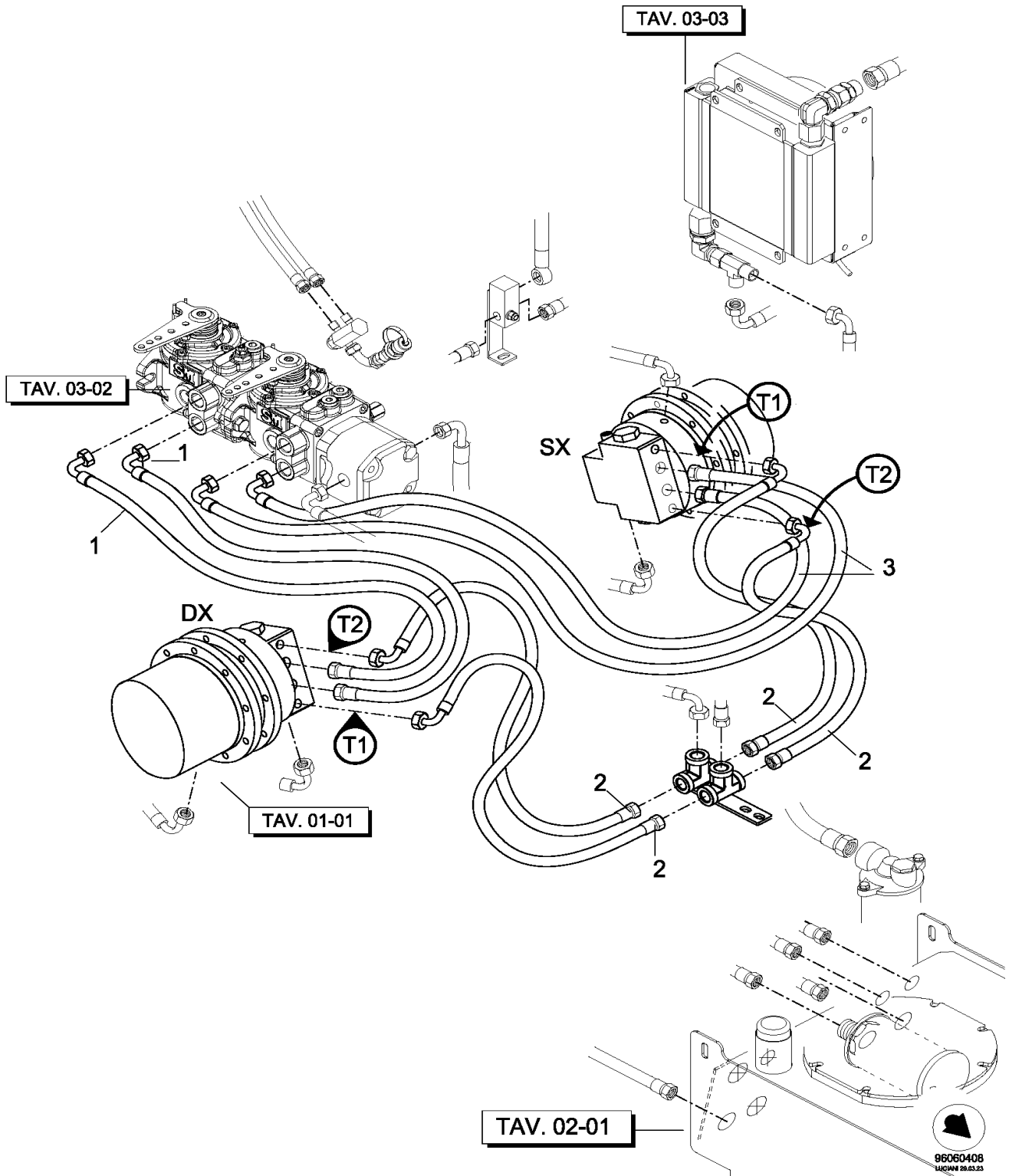
Tav. 05-01 - 96050576

<i>P.</i>	<i>Codice</i>	<i>Q.</i>	ⓘ ⓓ	<i>Denominazione</i> <i>Benennung</i>	ⓘ	<i>Description</i>	Ⓜ	<i>Description</i>
1	30015815	1		COFANO COMPLETO KOMPLETT HAUBE		CAPOT COMPLETE		COMPLETE HOOD
2	30014897	1		STAFFA TRAGBUGEL		ETRIER		CLAMP
3	30014898	1		STAFFA TRAGBUGEL		ETRIER		CLAMP
4	30014755	2		SPESSORE DISTANZSRUCK		ENTRATOISE		SPACER
5	30015776	1		CARTER KASTEN				CRANKCASE
6	03350005	6		GRILLO KUPPLUNG		JONCTION		CONNECTION
7	03565002	1		DADO SX LINKS MUTTER		ECROU GAUCHE		LEFT NUT
8	03350008	1		MOSHETTONE				

Ⓘ IMPIANTO OLEODINAMICO
Ⓕ INSTALLATION OLEODYNAMIQUE
ⒼⒷ OLEODYNAMIC SYSTEM
Ⓓ OLEODYNAMISCHE ANLAGE

TAV. 06-01B
96060408

.09684453 SOTT. 3 ATTACCHI CINGOLATO IDRO. TC120 B&S 23cv UNIFICATO



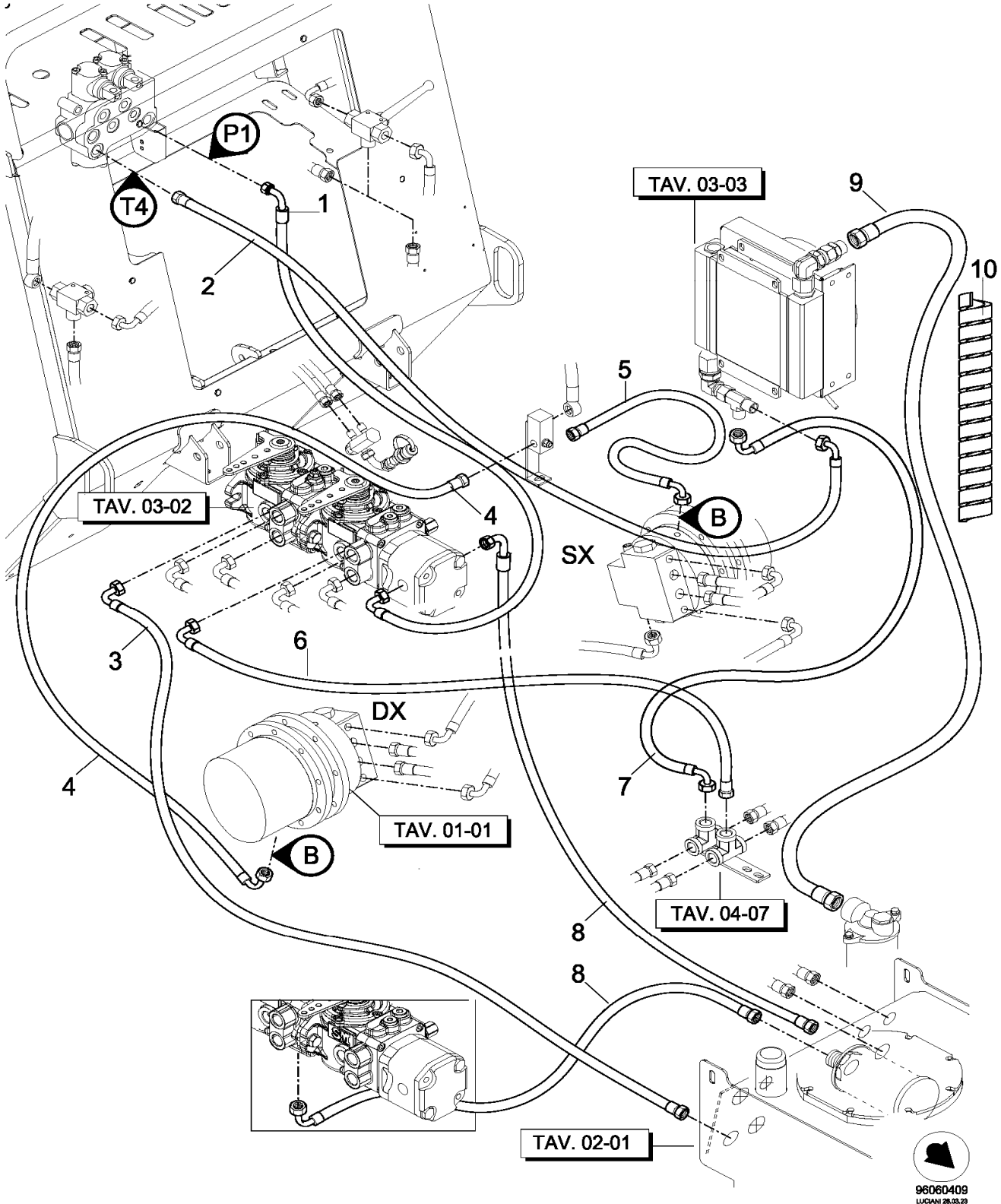
Tav. 06-01B - 96060408

<i>P.</i>	<i>Codice</i>	<i>Q.</i>	① ② <i>Denominazione Benennung</i>	⑤ <i>Description</i>	⑥ <i>Description</i>
1	03111933	2	TUBO ROHRE	TUYAU	PIPE
2	03121913	4	TUBO ROHRE	TUYAU	PIPE
3	03111846	2	TUBO ROHRE	TUYAU	PIPE

- I IMPIANTO OLEODINAMICO
- F INSTALLATION OLEODYNAMIQUE
- GB OLEODYNAMIC SYSTEM
- D OLEODYNAMISCHE ANLAGE

TAV. 06-01C
96060409

.09684453 SOTT. 3 ATTACCHI CINGOLATO IDRO. TC120 B&S 23cv UNIFICATO



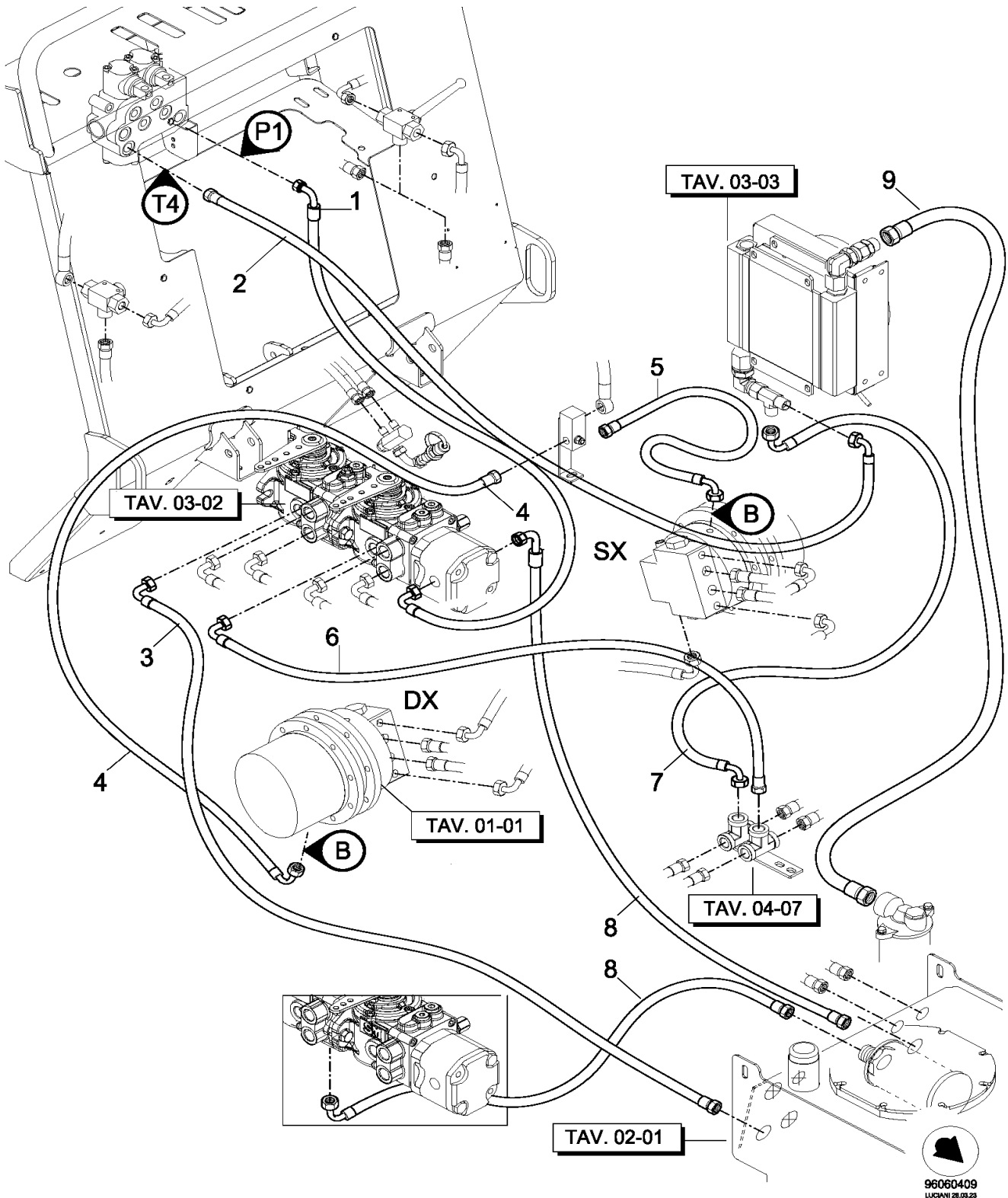
Tav. 06-01C - 96060409

<i>P.</i>	<i>Codice</i>	<i>Q.</i>	(I) (D)	<i>Denominazione</i> <i>Benennung</i>	(F)	<i>Description</i>	(GB)	<i>Description</i>
1	03123200	1		TUBO ROHRE		TUYAU		PIPE
2	03111959	1		TUBO ROHRE		TUYAU		PIPE
3	03111933	1		TUBO ROHRE		TUYAU		PIPE
4	03121890	1		TUBO ROHRE		TUYAU		PIPE
5	03121868	1		TUBO ROHRE		TUYAU		PIPE
6	03111845	1		TUBO ROHRE		TUYAU		PIPE
7	03111963	1		TUBO ROHRE		TUYAU		PIPE
8	03130021	2		TUBO ROHRE		TUYAU		PIPE
9	03121843	1		TUBO ROHRE		TUYAU		PIPE
10	27200314	1		PROTEZIONE SCHUTZ		PROTECTION		PROTECTION

- I IMPIANTO OLEODINAMICO
- F INSTALLATION OLEODYNAMIQUE
- GB OLEODYNAMIC SYSTEM
- D OLEODYNAMISCHE ANLAGE

TAV. 06-01C
96060409

.09684453 SOTT. 3 ATTACCHI CINGOLATO IDRO. TC120 B&S 23cv UNIFICATO



96060409
LUCANI 28.03.23

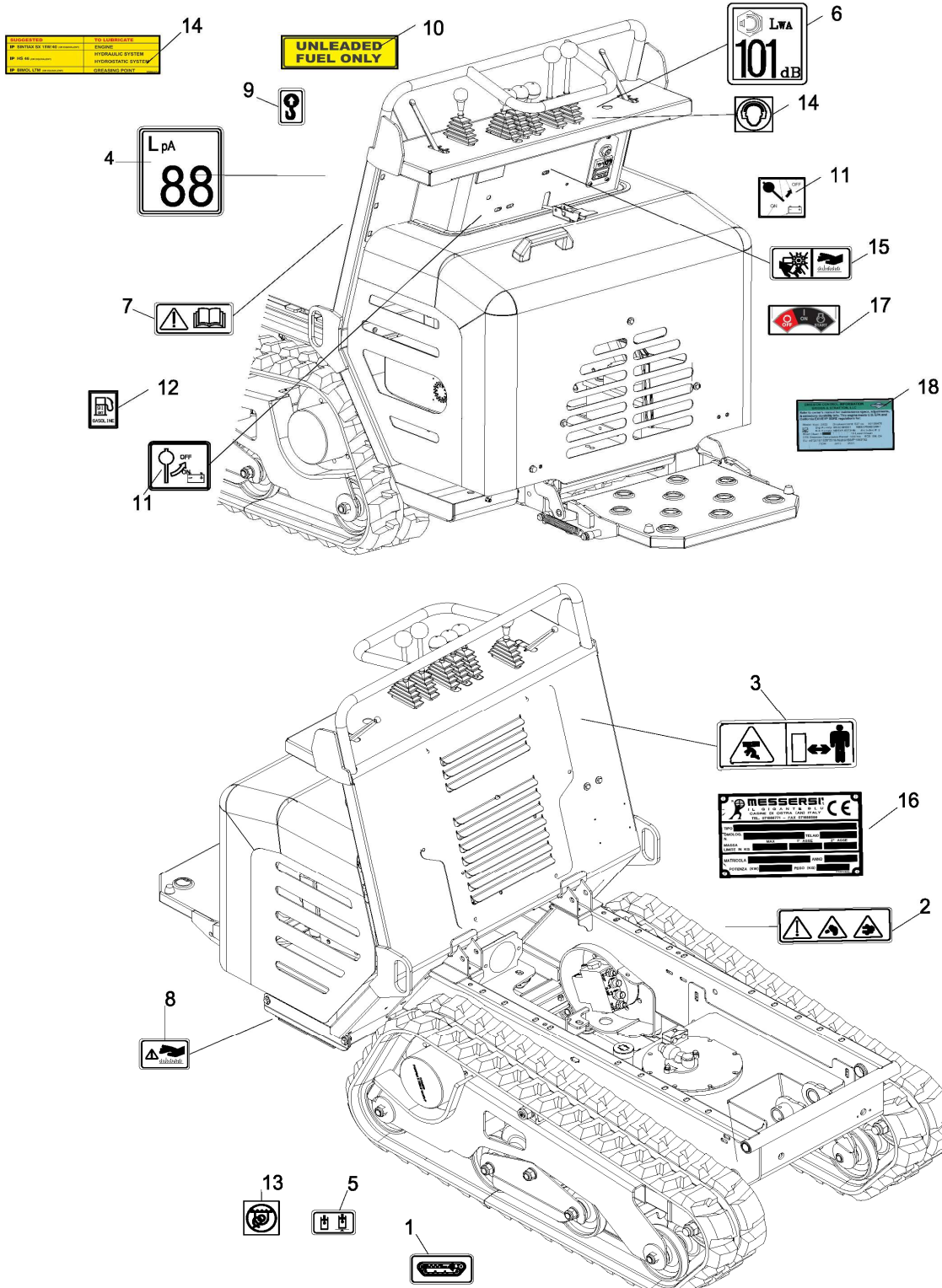
Tav. 06-01C - 96060409

<i>P.</i>	<i>Codice</i>	<i>Q.</i>	① ② <i>Denominazione Benennung</i>	⑤ <i>Description</i>	⑥ <i>Description</i>
1	03123200	1	TUBO ROHRE	TUYAU	PIPE
2	03111959	1	TUBO ROHRE	TUYAU	PIPE
3	03111933	1	TUBO ROHRE	TUYAU	PIPE
4	03121890	1	TUBO ROHRE	TUYAU	PIPE
5	03121868	1	TUBO ROHRE	TUYAU	PIPE
6	03111845	1	TUBO ROHRE	TUYAU	PIPE
7	03111963	1	TUBO ROHRE	TUYAU	PIPE
8	03130021	2	TUBO ROHRE	TUYAU	PIPE
9	03111918	1	TUBO ROHRE	TUYAU	PIPE

- I TARGHETTE POSTO GUIDA-SOTTOCARRO
- F PLAQUETTES POSTE DE CONDUITE
- GB DECALS DRIVING PLACE-UNDERCARRIAGE
- D SCHILDER FAHRERPLATZ-UNTERWAGEN

TAV. 07-01
96070395

.09684446 SOTT. 3 ATTACCHI CINGOLATO IDRO. TC120 B&S 23cv



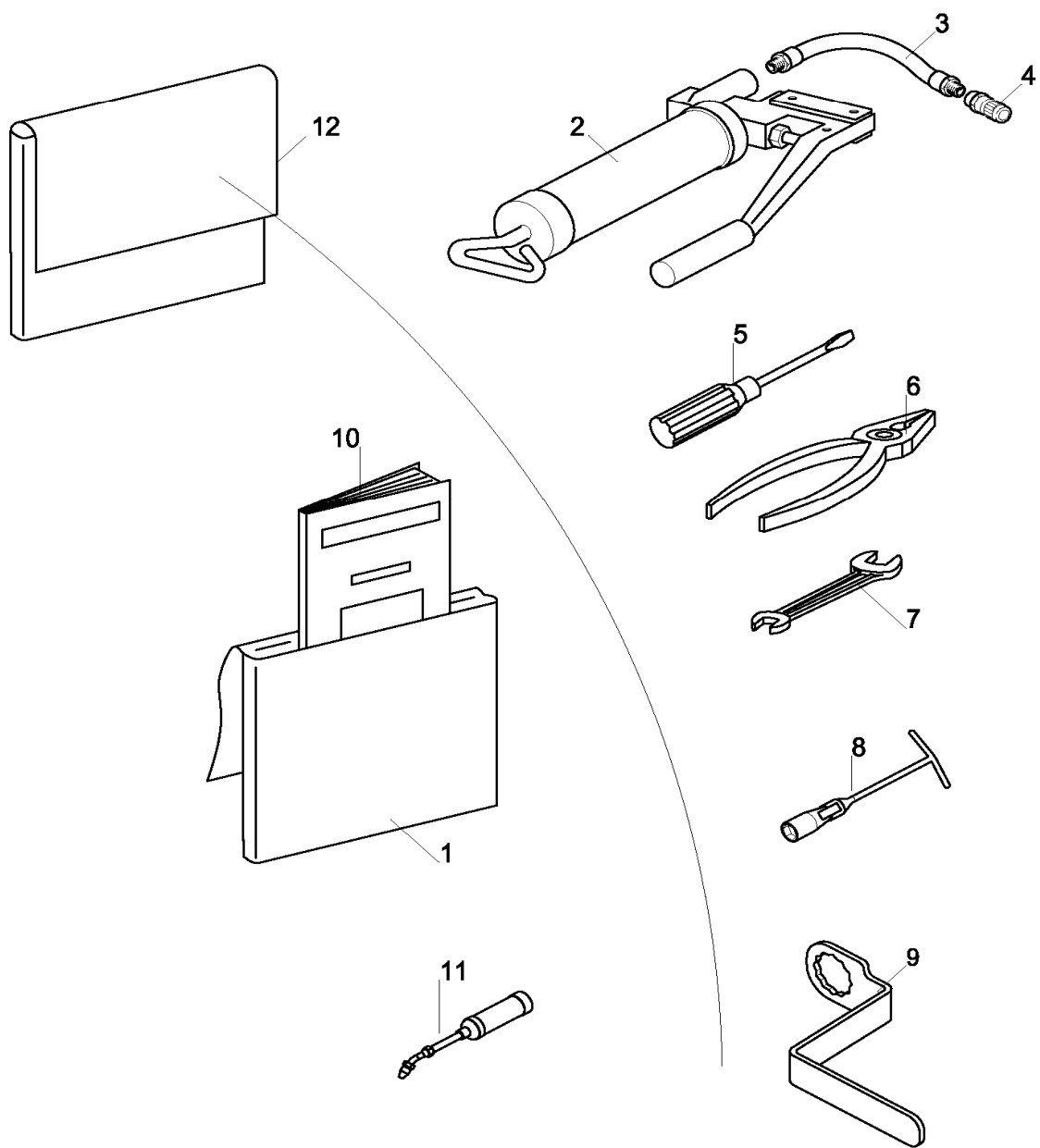
Tav. 07-01 - 96070395

<i>P.</i>	<i>Codice</i>	<i>Q.</i>	① ② <i>Denominazione Benennung</i>	③ <i>Description</i>	④ <i>Description</i>
1	03666063	2	TARGHETTA SCHILD	PLAQUETTE	PLATE
2	03660099	1	TARGHETTA SCHILD	PLAQUETTE	PLATE
3	03660098	1	TARGHETTA SCHILD	PLAQUETTE	PLATE
4	03665029	1	TARGHETTA SCHILD	PLAQUETTE	PLATE
5	03666066	1	TARGHETTA SCHILD	PLAQUETTE	PLATE
6	03665022	1	TARGHETTA SCHILD	PLAQUETTE	PLATE
7	03660170	1	TARGHETTA SCHILD	PLAQUETTE	PLATE
8	03660192	1	TARGHETTA SCHILD	PLAQUETTE	PLATE
9	03666024	2	TARGHETTA SCHILD	PLAQUETTE	PLATE
10	03660177	1	TARGHETTA SCHILD	PLAQUETTE	PLATE
11	03660252	1	TARGHETTA SCHILD	PLAQUETTE	PLATE
12	03660230	1	TARGHETTA SCHILD	PLAQUETTE	PLATE
13	03666311	2	TARGHETTA SCHILD	PLAQUETTE	PLATE
14	03665803	1	TARGHETTA SCHILD	PLAQUETTE	PLATE
15	03666312	1	TARGHETTA SCHILD	PLAQUETTE	PLATE
16	03664801	1	TARGHETTA COSTRUTTORE SCHILD HERSTELLER	PLAQUETTE CONSTRUCTEUR	MANUFACTURER'S PLATE
17	03666366	1	TARGHETTA SCHILD	PLAQUETTE	PLATE
18	03660338	1	TARGHETTA SCHILD	PLAQUETTE	PLATE

- Ⓘ ATTREZZI DI SERVIZIO - DOTAZIONI
- Ⓕ Outils de service - Accessoires
- ⒼⒷ SERVICE TOOLS - EQUIPMENTS
- Ⓓ BETRIEBSWERKZEUG - AUSRÜSTUNG

TAV. 07-02
96070396

.09684446 SOTT. 3 ATTACCHI CINGOLATO IDRO. TC120 B&S 23cv



96070384
LUCIANI 04.04.23

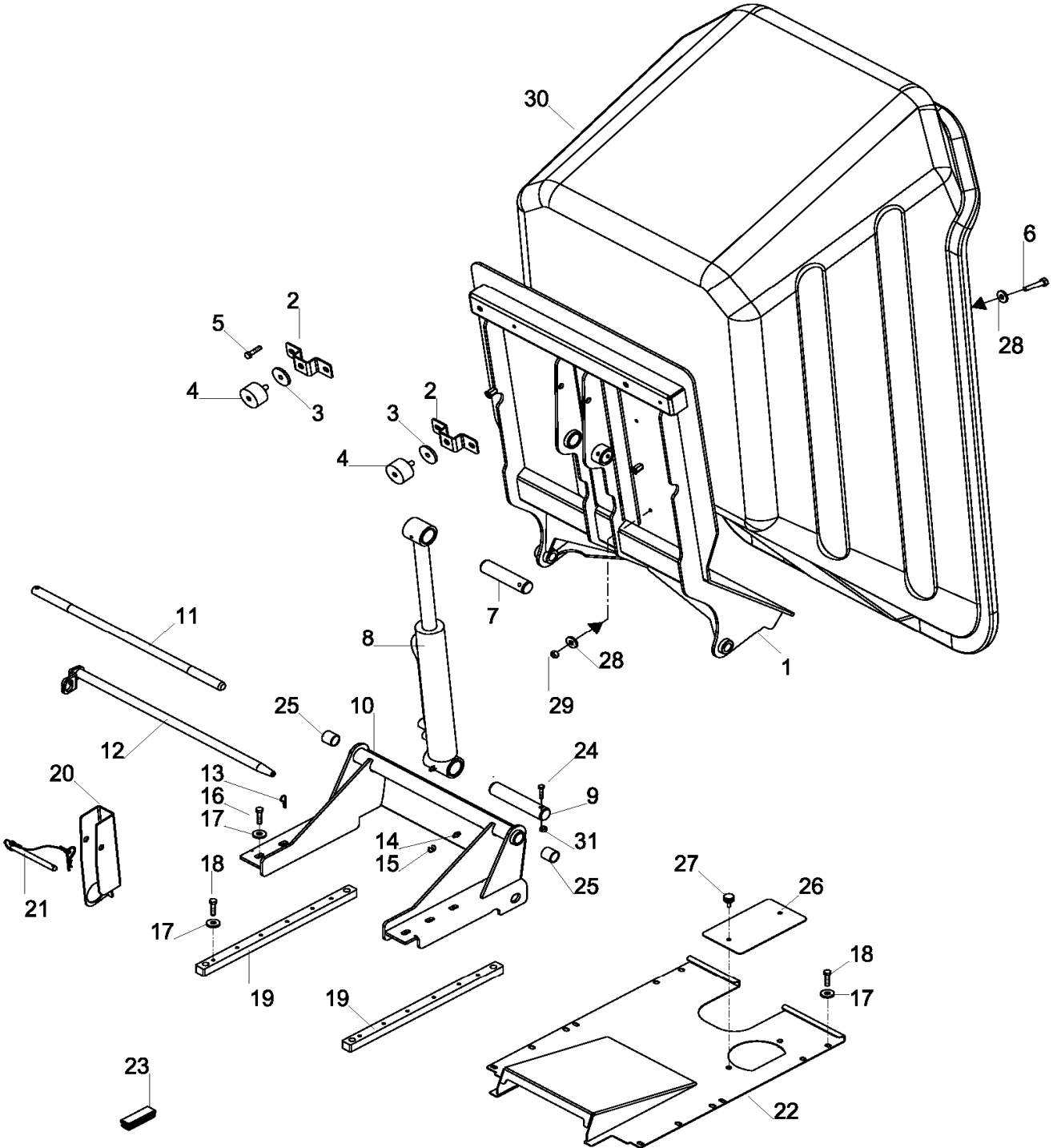
Tav. 07-02 - 96070396

<i>P.</i>	<i>Codice</i>	<i>Q.</i>	(I) (D) <i>Denominazione Benennung</i>	(F) <i>Description</i>	(GB) <i>Description</i>
1	03679700	1	BUSTA UMSCHLAG	TROUSSE	HOLDER
2	03519600	1	POMPA GRASSO SCHMIERPUMPE	POMPE A GRAISSE	GREASING PUMP
3	03519800	1	TUBO ROHRE	TUYAU	PIPE
4	03519900	1	TESTINA TONKOPF	TETE	HEAD
5	03572000	1	GIRAVITE SCHRAUBENSCHLUSSEL	TOURNEVIS	SCREWDRIVER
6	03572300	1	PINZA ZANGE	ETRIER	NIPPER
7	03570000	1	CHIAVE 10-13 mm SCHLUSSEL 10-13 mm	CLE 10-13 mm	KEY 10-13 mm
8	83130492	1	CHIAVE SCHLUSSEL	CLE	KEY
9	99100033	1	CHIAVE 29,5 mm SCHLUSSEL 29,5 mm	CLE 29,5 mm	KEY 29,5 mm
10	03679005	1	LIBRETTO RICAMBI ERSATZTEILKATALOG	CATALOGUE PIECES	PRTS CATALOG
11	99150000	1	POMPA GRASSO SCHMIERPUMPE	POMPE A GRAISSE	GREASING PUMP
12	03679000	1	BUSTA UMSCHLAG	TROUSSE	HOLDER

- Ⓡ BENNA IN PLASTICA
- ⓕ BENNE PLASTIQUE
- ⓖⓑ SKIP PLASTIC
- ⓓ PLASTIK MULDE

TAV. 19-01
96190014

.09685564 BENNA IN PLASTICA RIBALT. FRONTALE AZZURRO



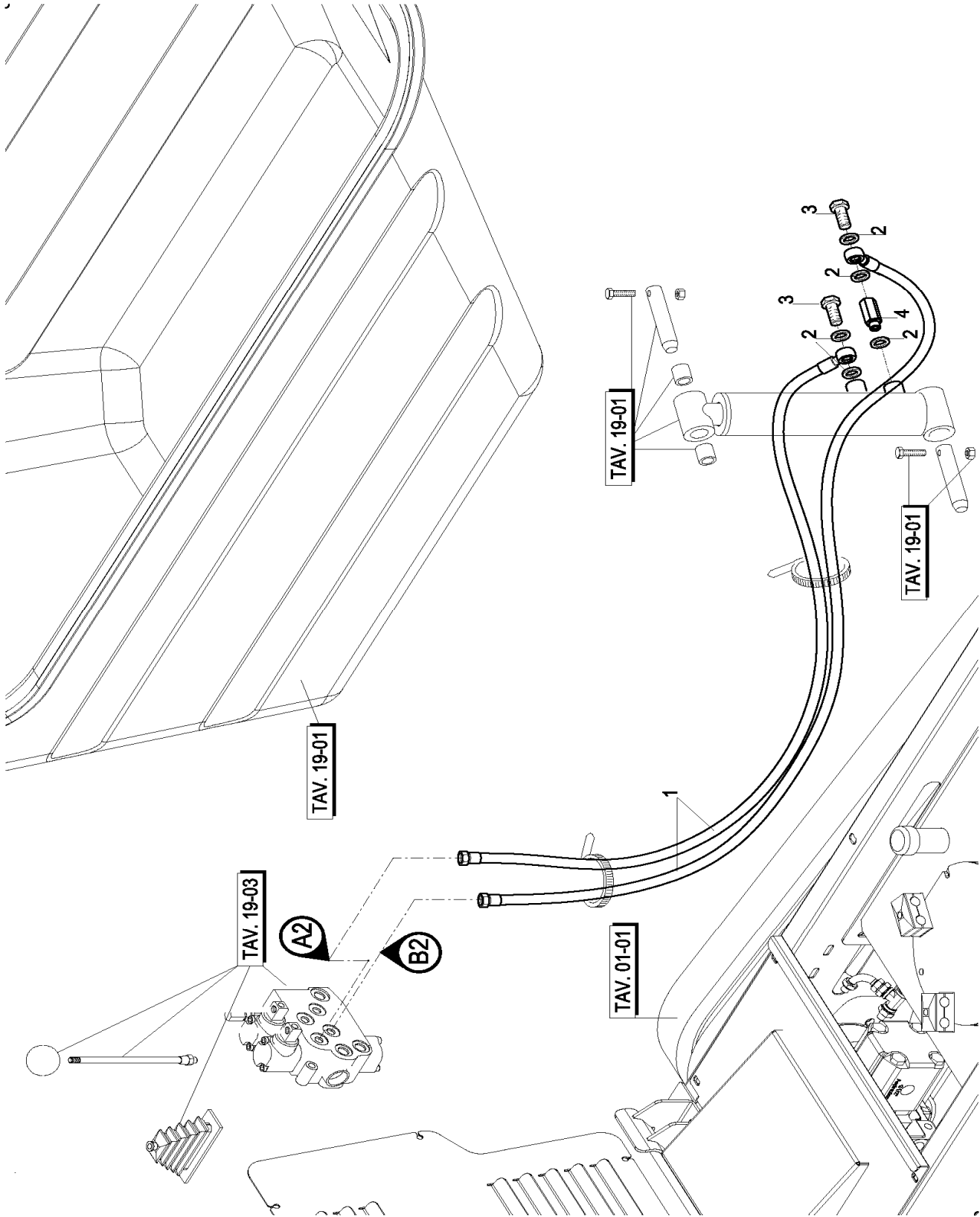
Tav. 19-01 - 96190014

<i>P.</i>	<i>Codice</i>	<i>Q.</i>	① ② <i>Denominazione Benennung</i>	③ <i>Description</i>	④ <i>Description</i>
1	10013355	1	TELAIO RAHMEN	CHASSIS	FRAME
2	10012803	2	SUPPORTO HALTERUNG	SUPPORT	SUPPORT
3	91470151	2	ROSETTA SCHEIBE	RONDELLE	WASHER
4	03520300	2	ANTIVIBRANTE DAMPFUNG	ANTIVIBRATOIRE	VIBRATION-DAMPING
5	03230601	4	VITE SCHRAUBE	VIS	SCREW
6	03240601	4	VITE SCHRAUBE	VIS	SCREW
7	45070924	1	PERNO BOLZEN	PIVOT	PIN
8	03180081	1	CILINDRO ZYLINDER	CYLINDRE	CYLINDER
9	45071351	1	PERNO BOLZEN	PIVOT	PIN
10	55081686	1	TELAIO MOBILE MOBILES CHASSIS	CHASSIS MOBILE	MOVEABLE FRAME
11	45070917	1	PERNO BOLZEN	PIVOT	PIN
12	45070937	1	PERNO BOLZEN	PIVOT	PIN
13	03739800	1	COPIGLIA SPLINT	GOUPILLE	SPLIT PIN
14	03511100	1	INGRASSATORE SCHMIERER	GRAISSEUR	LUBRICATOR
15	13480850	1	TAPPO STOPFEN	BOUCHON	PLUG
16	03230801	8	VITE SCHRAUBE	VIS	SCREW
17	03386300	16	ROSETTA SCHEIBE	RONDELLE	WASHER
18	03230701	10	VITE SCHRAUBE	VIS	SCREW
19	55081584	2	PIASTRA PLATTE	PLAQUE	PLATE
20	99150053	1	PUNTONE SICUREZZA SICHERHEITSKUPPLUNG	POUSSARD DE SECURITE	SAFETY RAFTER
21	99150044	1	CHIAVISTELLO RIEGEL	VERROU	LATCH
22	30015099	1	CARTER BOLZEN	CARTER	CARTER
23	13480012	1	TAPPO STOPFEN	BOUCHON	PLUG
24	03221000	2	VITE SCHRAUBE	VIS	SCREW
25	33591805	2	BRONZINA BRONZEBUCHSE	COUSSINET	BUSHING
26	10013371	1	SPORTELLLO TUR	GUICHET	DOOR
27	03580351	2	VITE SCHRAUBE	VIS	SCREW
28	03386011	8	ROSETTA SCHEIBE	RONDELLE	WASHER
29	03366300	4	DADO MUTTER	ECROU	NUT
30	10013736	1	BENNA GREIFER	BENNE	SKIP
31	03364010	2	DADO MUTTER	ECROU	NUT

- Ⓘ IMPIANTO OLEODINAMICO BENNA IN PLASTICA
- Ⓕ INSTALLATION OLEODYNAMIQUE DU CAISSON
- ⒼⒷ TANK HYDRAULIK SYSTEM
- Ⓓ HYDRAULIKANLAGE FÜR MULDE

TAV. 19-02
96190012

.09685564 BENNA IN PLASTICA RIBALT. FRONTALE AZZURRO



Tav. 19-02 - 96190012

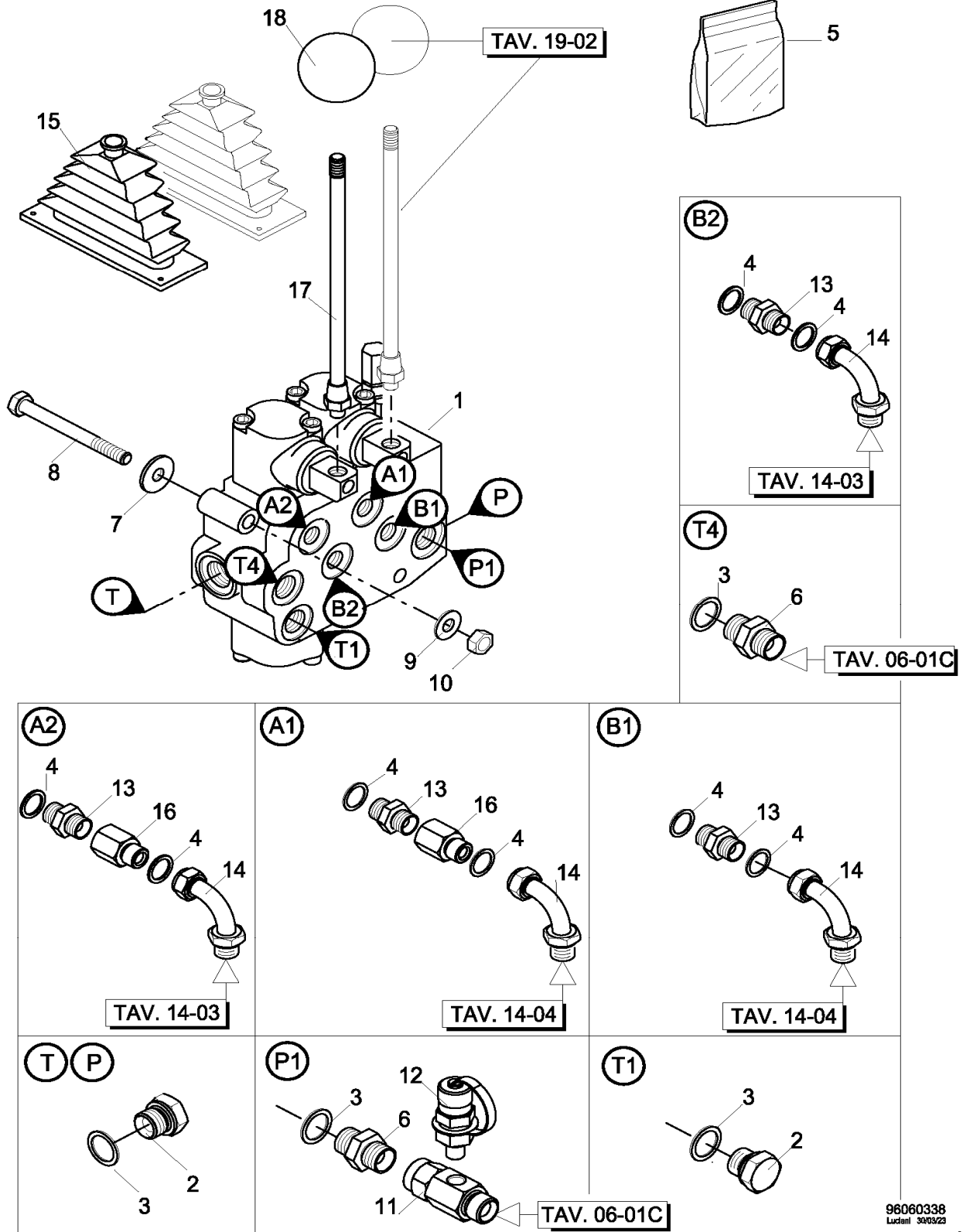
<i>P.</i>	<i>Codice</i>	<i>Q.</i>	(I) (D)	<i>Denominazione</i> <i>Benennung</i>	(F)	<i>Description</i>	(GB)	<i>Description</i>
1	03112033	2		TUBO ROHRE		TUYAU		PIPE
2	03160901	5		RONDELLA SCHEIBE		RONDELLE		WASHER
3	03150006	2		VITE SCHRAUBE		VIS		SCREW
4	03620602	1		PROLUNGA VERLANGERUNG		RACCORD		CONNECTOR

- ① IMPIANTO OLEOD. BENNA IN PLASTICA: DISTRIBUTORE
- ② INSTALLATION OLEODYNAMIQUE DU CAISSON
- ③ TANK HYDRAULIK SYSTEM
- ④ HYDRAULIKANLAGE FÜR MULDE

TAV. 19-03

96190013

.09685564 BENNA IN PLASTICA RIBALT. FRONTALE AZZURRO



96060338
Ludani 30/03/23

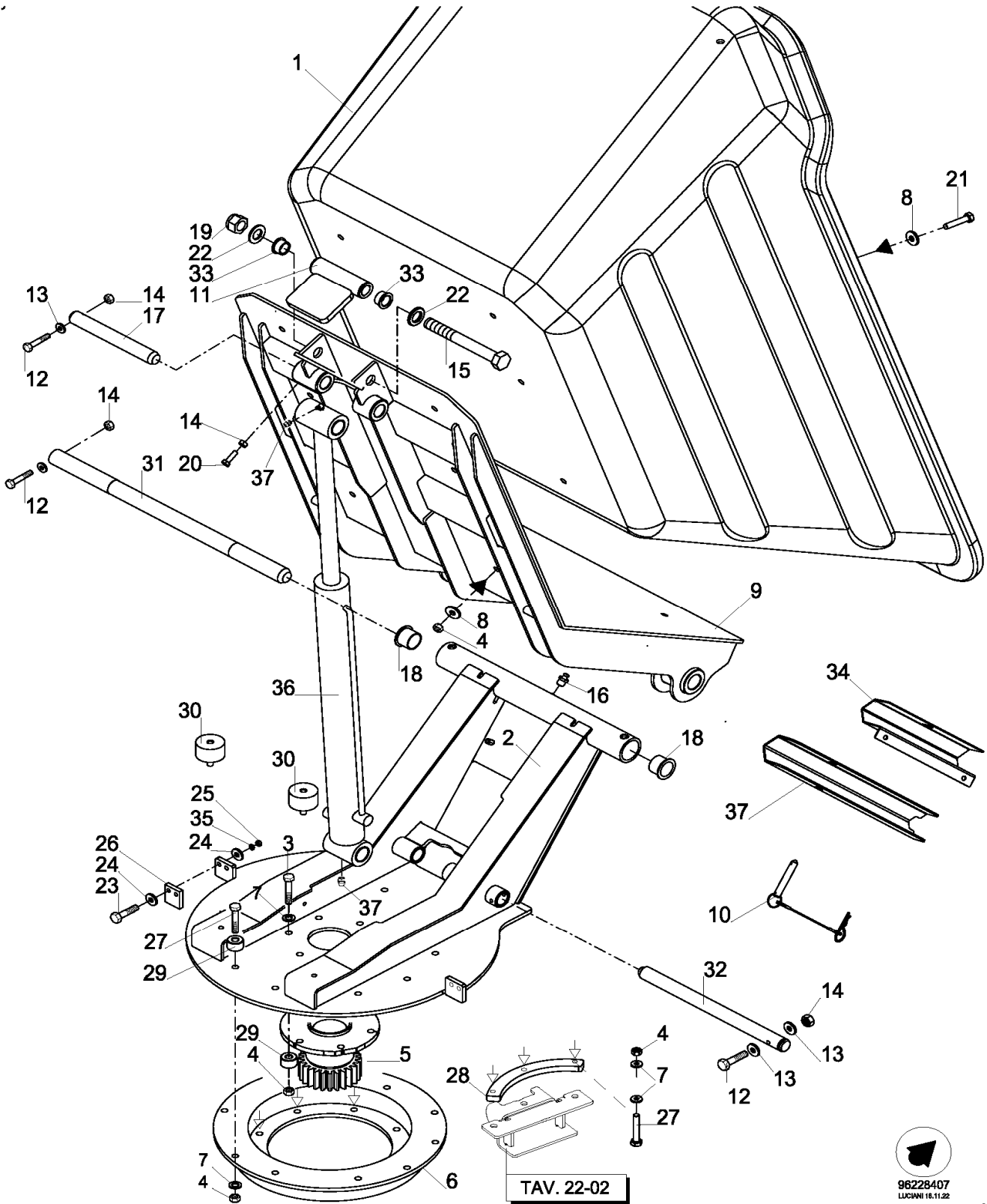
Tav. 19-03 - 96190013

<i>P.</i>	<i>Codice</i>	<i>Q.</i>	① ② <i>Denominazione Benennung</i>	③ <i>Description</i>	④ <i>Description</i>
1	065624	1	DISTRIBUTORE VERTEILER	DISTRIBUTEUR	DISTRIBUTOR
2	13160013	3	TAPPO STOPFEN	BOUCHON	PLUG
3	03160902	5	RONDELLA SCHEIBE	RONDELLE	WASHER
4	03160901	8	RONDELLA SCHEIBE	RONDELLE	WASHER
5	62497826	1	KIT GUARNIZIONI SATZ DICHTUNGS	KIT JOINTS	KIT SEALS
6	13152800	2	GIUNZIONE VERBINDUNG	ASSEMBLAGE	JUNCTION
7	03385401	2	ROSETTA SCHEIBE	RONDELLE	WASHER
8	03231301	2	VITE SCHRAUBE	VIS	SCREW
9	03385201	2	ROSETTA SCHEIBE	RONDELLE	WASHER
10	03365100	2	DADO MUTTER	ECROU	NUT
11	25200603	1	RACCORDO ANSCHLUSS	RACCORD	CONNECTOR
12	13845200	1	INNESTO DI CONTROLLO KONTROLLKUPPLUNG	EMBAYAGE DE CONTROLE	CHECKING COUPLING
13	13152700	4	GIUNZIONE VERBINDUNG	ASSEMBLAGE	JUNCTION
14	03605800	4	CURVA KRUMMER	COURBE	ELBOW
15	03581001	1	CUFFIA SCHUTZKASTEN	PROTECTION	PROTECTION
16	03620603	2	PROLUNGA VERLANGERUNG	RACCORD	CONNECTOR
17	23150232	1	LEVA HEBEL	LEVIER	LEVER
18	03581203	1	IMPUGNATURA KNEBELGRIFF	POIGNEE	HANDGRIP

- Ⓘ BENNA IN PLASTICA RIBALTAMENTO TRILATERALE
- Ⓕ BENNE DECHARGEMENT TRILATERAL
- ⒼⒷ 3-WAY TIPPING SKIP
- Ⓓ DREISEITIGER GREIFERKIPPER

TAV. 22-01
96228407

.09685563 BENNA IN PLASTICA RIBALT.TRILAT.180° AZZURRO



Tav. 22-01 - 96228407

<i>P.</i>	<i>Codice</i>	<i>Q.</i>	① ② <i>Denominazione Benennung</i>	③ <i>Description</i>	④ <i>Description</i>
1	10013735	1	BENNA GREIFER	BENNE	SKIP
2	55020770	1	TELAIO EVOLUZIONE MANOEVERRAHMEN	CHASSIS EVOLUTION	EVOLUTION FRAME
3	03241000	6	VITE SCHRAUBE	VIS	SCREW
4	03366300	24	DADO MUTTER	ECROU	NUT
5	45060079	1	PIGNONE RITZEL	PIGNON	PINION
6	45030115	1	RALLA SPURPLATTE	BUTEE	BEARING DISK
7	03386300	21	ROSETTA SCHEIBE	RONDELLE	WASHER
8	03386201	12	ROSETTA SCHEIBE	RONDELLE	WASHER
9	10013695	1	TELAIO RAHMEN	CHASSIS	FRAME
10	99150033	1	CHIAVISTELLO RIEGEL	VERROU	LATCH
11	23100251	1	PERNO BOLZEN	PIVOT	PIN
12	03221500	3	VITE SCHRAUBE	VIS	SCREW
13	03383201	5	ROSETTA SCHEIBE	RONDELLE	WASHER
14	03364010	4	DADO MUTTER	ECROU	NUT
15	03284400	1	VITE SCHRAUBE	VIS	SCREW
16	03511100	1	INGRASSATORE SCHMIERER	GRAISSEUR	LUBRICATOR
17	45071315	1	PERNO BOLZEN	PIVOT	PIN
18	33593670	2	BOCCOLA BUECHSE	DOUILLE	BUSH
19	03371101	1	DADO MUTTER	ECROU	NUT
20	03220701	1	VITE SCHRAUBE	VIS	SCREW
21	03240601	6	VITE SCHRAUBE	VIS	SCREW
22	03390710	2	ROSETTA SCHEIBE	RONDELLE	WASHER
23	03220800	4	VITE SCHRAUBE	VIS	SCREW
24	03383311	8	ROSETTA SCHEIBE	RONDELLE	WASHER
25	03364010	4	DADO MUTTER	ECROU	NUT
26	45250025	2	BATTUTA ANSCHLAG	FEUILLURE	RABBET
27	03241000	10	VITE SCHRAUBE	VIS	SCREW
28	55020771	1	FLANGIA FLANSCH	EMBASE	FLANGE
29	45020491	19	DISTANZIALE DISTANZSTUCK	ENTRETOISE	SPACER
30	03520300	2	ANTIVIBRANTE DAMPFUNG	ANTIVIBRATOIRE	VIBRATION-DAMPING
31	45071314	1	PERNO BOLZEN	PIVOT	PIN
32	45071337	1	PERNO BOLZEN	PIVOT	PIN
33	33592604	2	BOCCOLA BUECHSE	DOUILLE	BUSH

Tav. 22-01 - 96228407

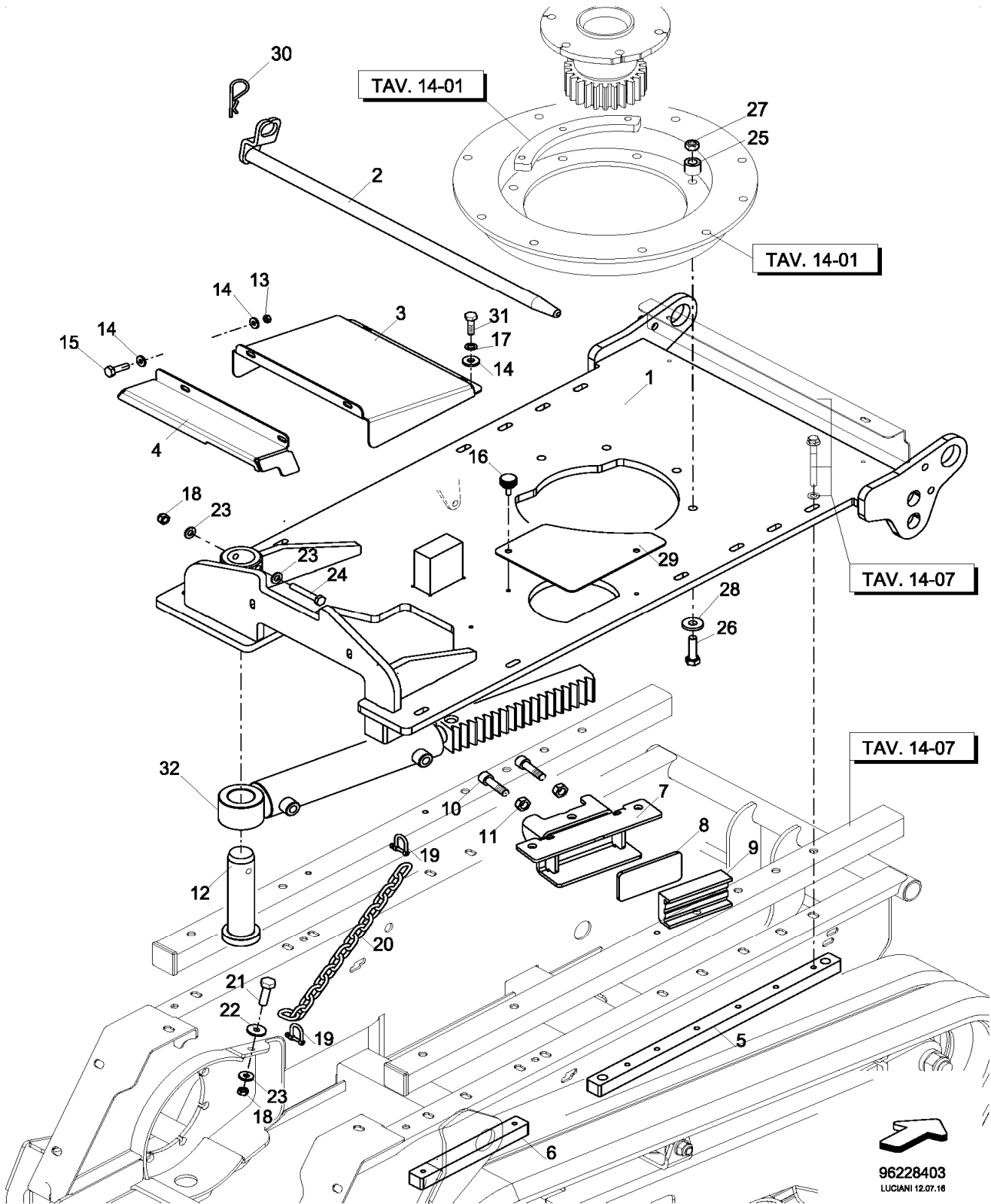
<i>P.</i>	<i>Codice</i>	<i>Q.</i>	(I) (D) <i>Denominazione Benennung</i>	(F) <i>Description</i>	(GB) <i>Description</i>
34	99150038	1	PUNTONE SICUREZZA SICHERHEITSKUPPLUNG	POUSSARD DE SECURITE	SAFETY RAFTER
35	03383000	4	ROSETTA SCHEIBE	RONDELLE	WASHER
36	03181074	1	CILINDRO ZYLINDER	CYLINDRE	CYLINDER
37	13480850	2	TAPPO STOPFEN	BOUCHON	PLUG
38	99150038	1	PUNTONE		

<i>P.</i>	<i>Codice</i>	<i>Q.</i>	ⓘ ⓘ <i>Denominazione</i> <i>Benennung</i>	ⓘ <i>Description</i>	ⓘ <i>Description</i>

- Ⓡ BENNA RIBALTAMENTO TRILATERALE
- ⓕ BENNE DECHARGEMENT TRILATERAL
- ⓐ 3-WAY TIPPING SKIP
- ⓓ DREISEITIGER GREIFERKIPPER

TAV. 22-02
96228403

.09685563 BENNA IN PLASTICA RIBALT.TRILAT.180° AZZURRO



Tav. 22-02 - 96228403

<i>P.</i>	<i>Codice</i>	<i>Q.</i>	① ② <i>Denominazione Benennung</i>	③ <i>Description</i>	④ <i>Description</i>
1	10012985	1	TELAIO FISSO FIXES CHASSIS	CHASSIS FIX	STEADY FRAME
2	45070937	1	PERNO BOLZEN	PIVOT	PIN
3	30014830	1	CARTER KASTEN	CARTER	CRANKCASE
4	30014831	1	CARTER KASTEN	CARTER	CRANKCASE
5	55081584	2	PIASTRA PLATTE	PLAQUE	PLATE
6	55081657	2	PIASTRA PLATTE	PLAQUE	PLATE
7	45155438	1	SUPPORTO HALTERUNG	SUPPORT	SUPPORT
8	45155439	1	PIASTRA PLATTE	PLAQUE	PLATE
9	45300076	1	PATTINO GLEITSCHUH	BLOC DE GLISSEMENT	GUIDE BLOCK
10	03245101	2	VITE SCHRAUBE	VIS	SCREW
11	03366001	2	DADO MUTTER	ECROU	NUT
12	45071316	1	PERNO BOLZEN	PIVOT	PIN
13	03364004	2	DADO MUTTER	ECROU	NUT
14	03383300	6	ROSETTA SCHEIBE	RONDELLE	WASHER
15	03220800	2	VITE SCHRAUBE	VIS	SCREW
16	03580351	2	VOLANTINO SCHRAUBE	VIS	SCREW
17	03220401	2	VITE SCHRAUBE	VIS	SCREW
18	03365100	2	DADO MUTTER	ECROU	NUT
19	03350007	2	GRILLO KUPPLUNG	JONCTION	CONNECTION
20	45155466	1	CATENA KETTE	CHAINE	CHAIN
21	03230701	1	VITE SCHRAUBE	VIS	SCREW
22	03385401	1	ROSETTA SCHEIBE	RONDELLE	WASHER
23	03385201	3	ROSETTA SCHEIBE	RONDELLE	WASHER
24	03231501	1	VITE SCHRAUBE	VIS	SCREW
25	45020491	5	DISTANZIALE DISTANZSTUCK	ENTRETOISE	SPACER
26	03241000	5	VITE SCHRAUBE	VIS	SCREW
27	03366300	5	DADO MUTTER	ECROU	NUT
28	03386201	5	ROSETTA SCHEIBE	RONDELLE	WASHER
29	10012918	1	SPORTELLO TUR	GUICHET	DOOR
30	03739800	1	COPIGLIA SPLINT	GOUPILLE	SPLIT PIN
31	03220401	2	VITE SCHRAUBE	VIS	SCREW
32	03180077	1	CILINDRO ZYLINDER	CYLINDRE	CYLINDER

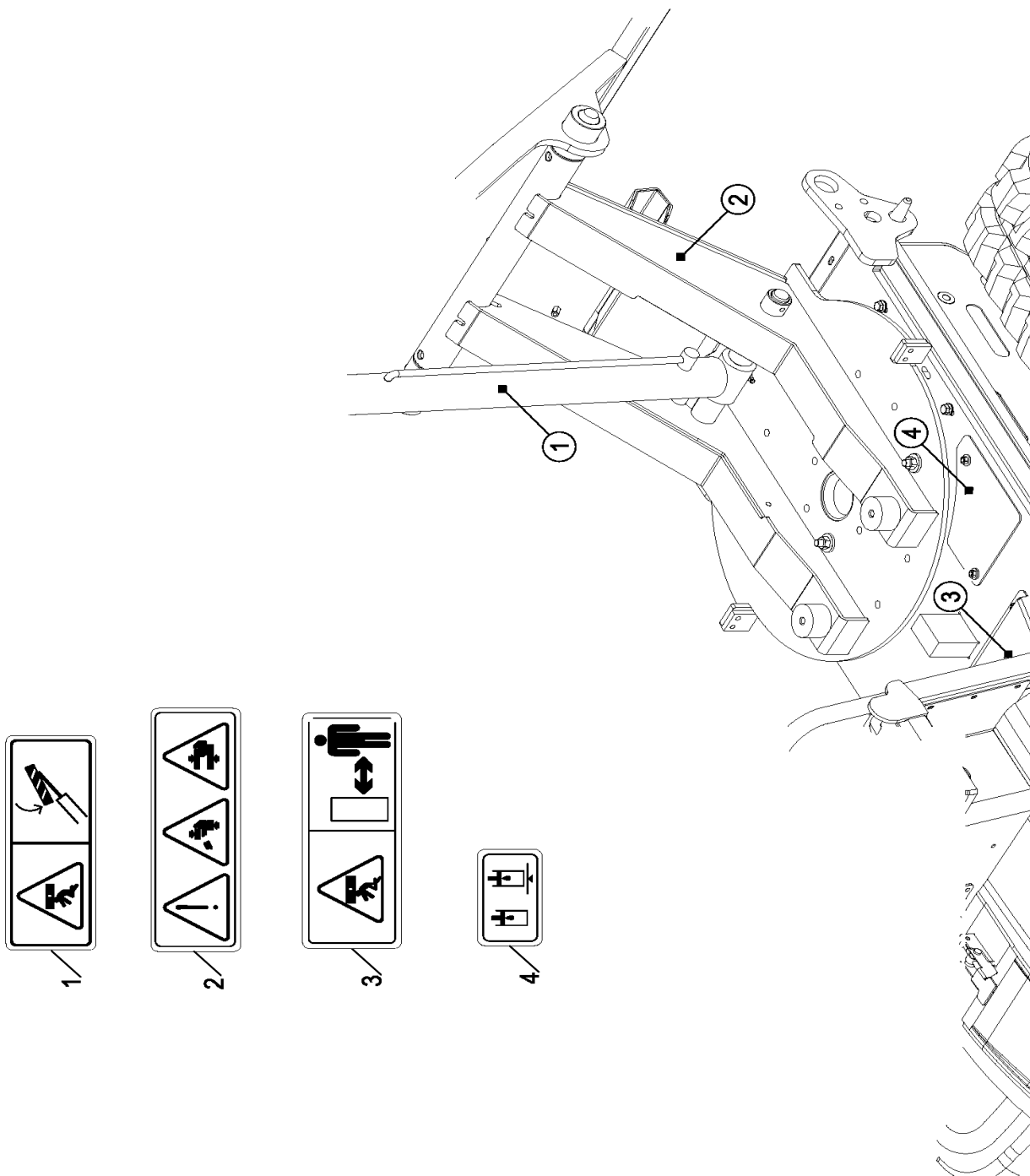
- Ⓡ TARGHETTE BENNA TRILATERALE
- Ⓡ PLAQUETTES BENNE
- Ⓡ LABEL FOR SKIP
- Ⓡ SCHILDER FUER MULDE

TAV. 22-03

96228406

.09685554 BENNA IN PLASTICA RIBALT.TRILAT.180°

96228406
L.0001 10.12.22



Tav. 22-03 - 96228406

<i>P.</i>	<i>Codice</i>	<i>Q.</i>	① ② <i>Denominazione Benennung</i>	⑤ <i>Description</i>	⑥ <i>Description</i>
1	03660062	1	TARGHETTA SCHILD	PLAQUETTE	PLATE
2	03660099	2	TARGHETTA SCHILD	PLAQUETTE	PLATE
3	03660098	1	TARGHETTA SCHILD	PLAQUETTE	PLATE
4	03666066	1	TARGHETTA SCHILD	PLAQUETTE	PLATE



AEC FACTORY & HEADQUARTERS

819 S. 5TH STREET
PARAGOULD, ARKANSAS 72450
870.236.7751
800.643.0095 (TOLL FREE (USA ONLY))

MAILING

PO BOX 819
PARAGOULD, ARKANSAS 72451

ALLENENG.COM

CONNECT WITH US ON SOCIAL

