

TRACK BUGGIES

AT14F & AT14S



PARTS & DECALS MANUAL

Manual Part #: 065300P | Revision: N
Language: English | Original Instructions



For your own safety and protection from personal injury, carefully read, understand, and observe the safety instructions described in this manual. Keep this manual or a copy of it with the machine at all times.

Copyright © 2016 Allen Engineering Corporation
All rights reserved

All information, specifications, and illustrations in this manual are subject to change without notice and are based on the latest information at the time of publication. No part of this manual may be reproduced or transmitted in any form or by any means, electronic or mechanical, for any purpose, without the express written permission of Allen Engineering Corporation (AEC). AEC assumes no responsibility or liability for any errors or inaccuracies that may appear in this manual.

Allen Products are covered under one or more of the following patent numbers:

U.S. Design Patents: 344,736; 400,542; 400,544; 402,998; 402,999; 403,332; 404,041; 404,042; 410,931; 413,127; 416,564; 465,897; 466,909; 474,203.

U.S. Utility Patents: 5,108,220; 5,238,323; 5,328,295; 5,352,063; 5,405,216; 5,476,342; 5,480,257; 5,480,258; 5,533,831; 5,562,361; 5,567,075; 5,613,801; 5,658,089; 5,685,667; 5,803,658; 5,816,739; 5,816,740; 5,890,833; 5,934,823; 5,967,696; 5,988,938; 5,988,939; 6,019,433; 6,019,545; 6,048,130; 6,053,660; 6,089,786; 6,106,193; 6,857,815; 5,288,166; 6,582,153 B1, 7,108,449; 7,114,876; 7,316,523; 7,690,864 B2

Canadian Patents: 2,039,893.

Printed in U.S.A.

AT14 Track Buggy

PARTS MANUAL

This manual covers the products listed below:

| <u>Part No.</u> | <u>Description</u> |
|-----------------|----------------------------------|
| 066604 | BUGGY, AT14F, 14CUFT POLY FIXED |
| 073370 | BUGGY, AT14S, 14CUFT POLY SWIVEL |

For more information regarding the following, please see “AT14F & AT14S Safety & Operations Manual”

- Warranty information
- Dealer information
- How to identify the model/serial numbers on the machine
- Technical specifications

| Sect No. | Title | Page |
|-----------------|---|-------------|
| | Table of Contents..... | 4 |
| | GENERAL INFORMATION | 6 |
| | Factory Service Information | 6 |
| | Ordering Parts..... | 7 |
| 1 | PARTS | 8 |
| | Frame Assembly Illustration..... | 10 |
| | Hydraulic Tank Assembly Illustration..... | 12 |
| | Engine Assembly Illustration..... | 14 |
| | Hydraulic Pump Assembly Illustration | 16 |
| | Hydraulic Cooler Assembly Illustration | 18 |
| | Fuel Tank Assembly Illustration..... | 20 |
| | Wiring Assembly Illustration..... | 22 |
| | Operator Console Assembly Illustration | 24 |
| | Throttle Assembly Illustration..... | 26 |
| | Control Lever Assembly Illustration | 28 |
| | Control Lever Assembly Illustration | 30 |
| | Block Drainages and Servos Illustration | 32 |
| | Hood Assembly Illustration | 34 |
| | Bucket Valve Fitting Assembly Illustration..... | 36 |
| | Hydraulic Hose Assembly Illustration | 38 |
| | Decal Assembly Illustration..... | 40 |
| | Maintenance Tools Illustration | 44 |
| | Hourmeter Illustration..... | 46 |
| | Bucket Hydraulic Cylinder Assembly Illustration..... | 48 |
| | Swivel Hydraulic Cylinder Assembly Illustration | 50 |
| | Trilateral Tipping Bucket Assembly Illustration..... | 52 |
| | Hydraulic Tank Connections Illustration | 58 |
| | Control Plates Illustration | 60 |
| | Control Levers Illustration | 62 |

Table of Contents - Continued

GENERAL INFORMATION

| Sect No. | Title | Page |
|-----------------|--|-------------|
| | Manufacturer Plates Illustration | 64 |
| | AT12L Bucket Assembly Illustration | 66 |
| | Bucket Plate Illustration | 68 |
| | AT12L Bucket Chassis Illustration | 70 |
| | AT12L Hydraulic Tank Connections Illustration..... | 72 |
| | Hydraulic Schematic | 74 |
| | Electrical Schematic..... | 76 |
| | Manual Revision | 77 |

GENERAL INFORMATION

Factory Service Information

This manual contains the illustrated drawings and parts list for help in identifying and/or ordering replacement parts for your machine. Follow the instructions in the front section of this manual “Ordering Parts” when ordering replacement parts to insure prompt and accurate delivery.

The FRONT and/or REAR orientations are defined from the operator’s view of sitting on machine (SOM).

! NOTE



All set screws have blue (LOC-TITE™) applied at the factory. If set screw is removed or loosened for any reason re-apply blue (LOC-TITE™).



All grease fittings are capped with CAP PLUG GC-5 (AEC PN 015692) to protect the fitting. If cap becomes missing or damaged replace it as soon as possible.



Anti-Seize is applied at the factory to drive line couplings, and moving components. If these parts are disassembled re-apply a light coat of a graphite based anti-seize.

Section 1 contains illustrated parts lists for help in ordering replacement parts for your machine. Follow the instructions below when ordering parts to insure prompt and accurate delivery:

1. All orders for service parts - include the serial number for the machine. Shipment will be delayed if this information is not available.
2. Include correct description and part number from the "PARTS" section of this manual.
3. Specify exact shipping instructions, including the preferred routing and complete destination address.
4. DO NOT return parts to AEC without receiving written authorization from AEC. All authorized returns must be shipped pre-paid.
5. When placing an order, please contact the AEC dealer nearest you.



All information, specifications, and illustrations in this manual are subject to change without notice and are based on the latest information at the time of publication.

VISIT US!!!



www.alleneng.com

LIKE US!!!



www.facebook.com/AllenEngineering

FOLLOW US!!!



[@alleneng](https://twitter.com/alleneng)

WATCH US!!!



www.youtube.com/AllenMachinery

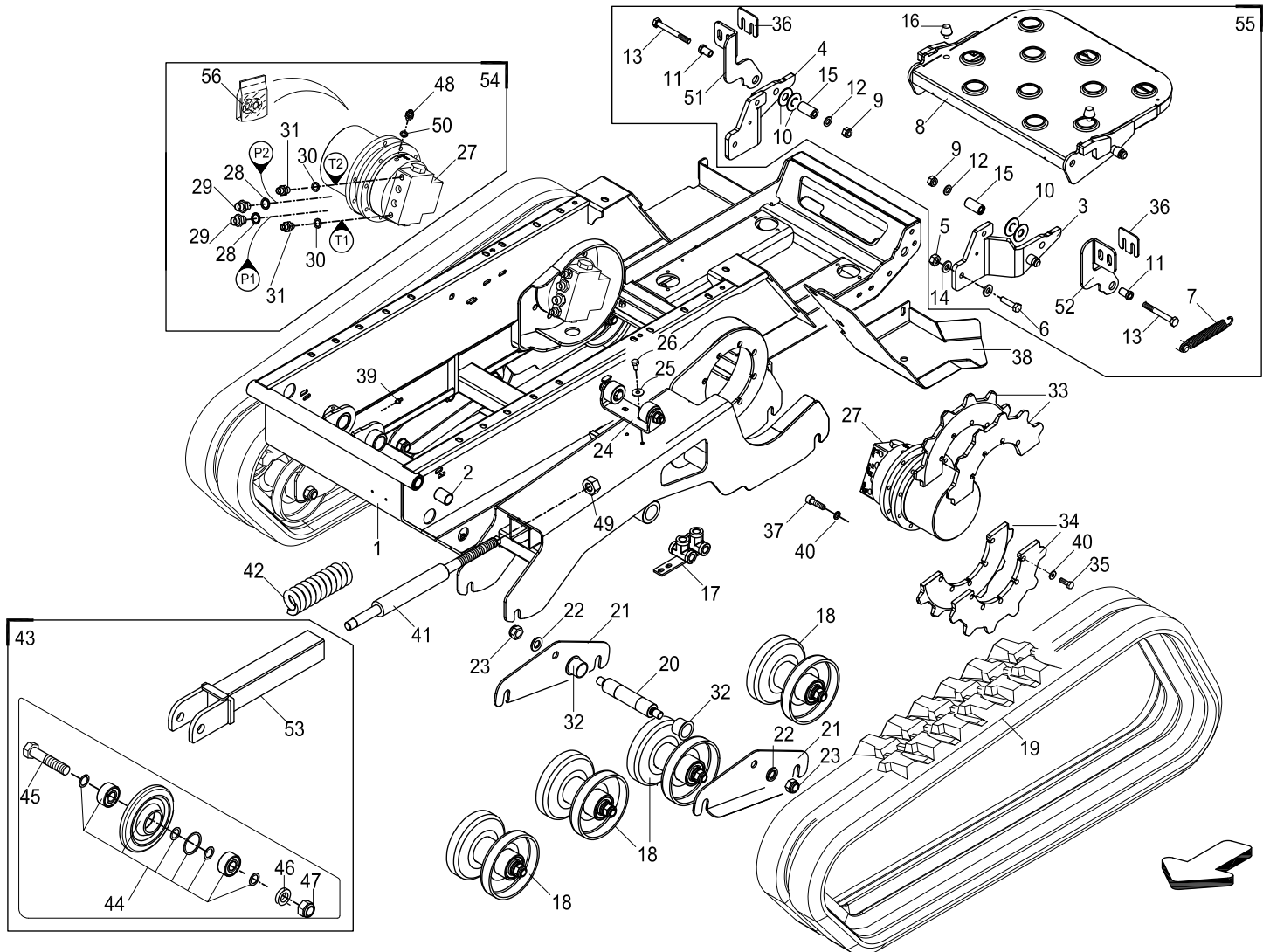
**SECTION 1
PARTS**

SECTION 1: PARTS

PAGE LEFT BLANK INTENTIONALLY

SECTION 1 PARTS

Frame Assembly Illustration



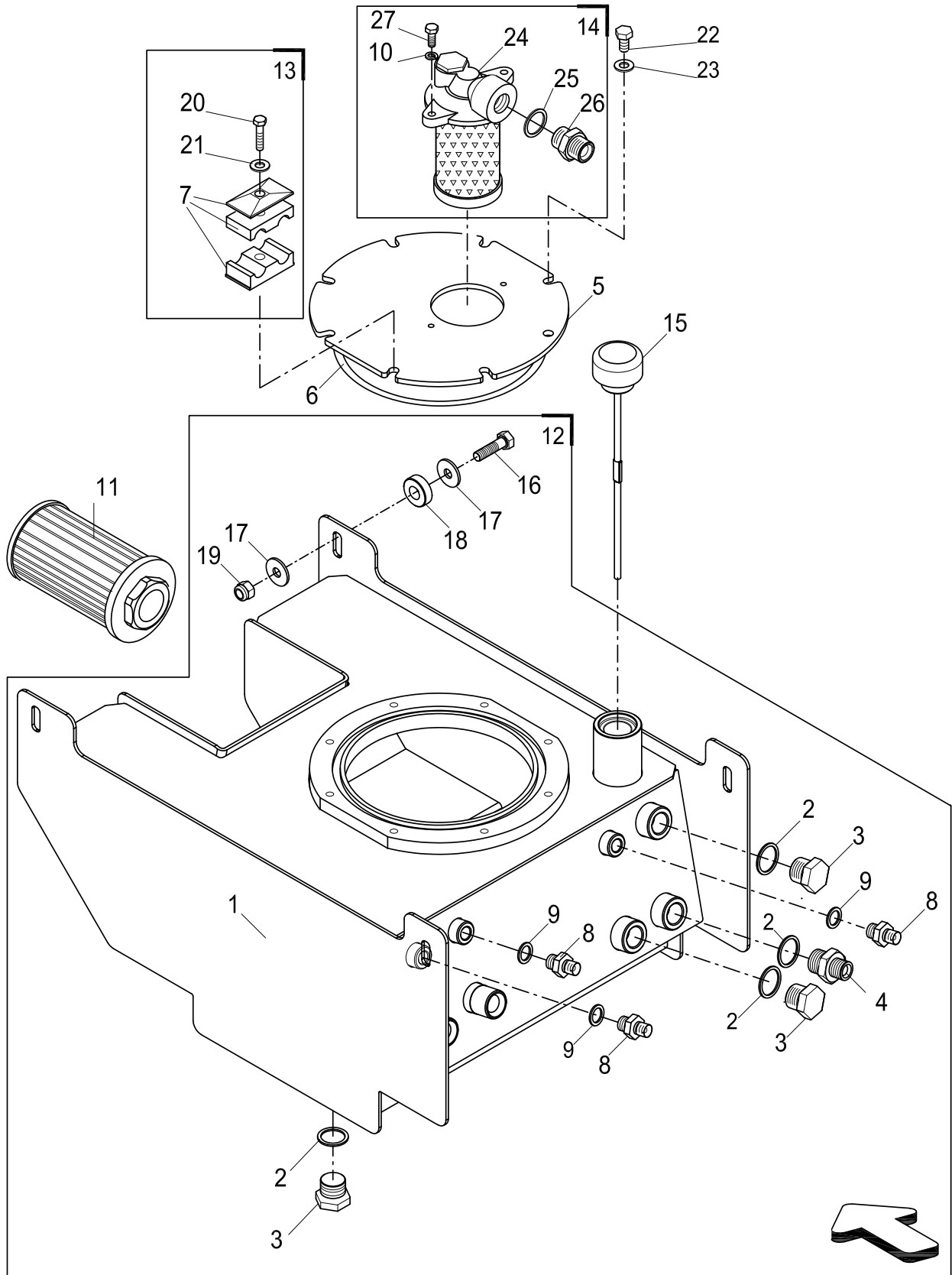
Frame Assembly Parts List

SECTION 1 PARTS

| Item | Part # | Description | Qty |
|------|----------|--------------------------|-----|
| 1 | 55141569 | FRAME | 1 |
| 2 | 33591805 | BUSHING | 2 |
| 3 | 30060578 | PLATE | 1 |
| 4 | 30060575 | RIGHT MOUNTING | 1 |
| 5 | 03366300 | NUT | 4 |
| 6 | 03240701 | FSTN, SCREW M10X40 8.8 | 4 |
| 7 | 03730003 | SPRING | 1 |
| 8 | 30060568 | OPERATOR'S FOOTBOARD | 1 |
| 9 | 03366300 | NUT, M10 | 2 |
| 10 | 03731430 | SPRING | 4 |
| 11 | 45020435 | SPACER | 2 |
| 12 | 03386201 | FSTN, WASHER 10,5x21x2 | 2 |
| 13 | 03241600 | FSTN, SCREW M10x90 8.8 | 2 |
| 14 | 068666 | FSTN, WASHER 10,5x21x2 | 8 |
| 15 | 45020437 | SPACER | 2 |
| 16 | 065583 | VIBRATION-DAMPING | 2 |
| 17 | 25200637 | CONNECTOR | 1 |
| 18 | 065250 | COMPLETE ROLL | 8 |
| 19 | 065251 | TRACK | 2 |
| 20 | 065585 | PIN, 180x72x37 | 2 |
| 21 | 55140802 | SUPPORT | 4 |
| 22 | 03389300 | FSTN, WASHER 17x30x4 | 4 |
| 23 | 03389300 | FSTN, WASHER 17x30x4 | 4 |
| 24 | 065257 | COMPLETE ROLL | 2 |
| 25 | 03385050 | WASHER | 4 |
| 26 | 070065 | FSTN, SCREW M8x30 8.8 | 4 |
| 27 | 065252 | TRANSLATION GEAR MOTOR | 2 |
| 28 | 03160902 | WASHER | 4 |
| 29 | 13152800 | JUNCTION | 4 |
| 30 | 066015 | WASHER | 4 |
| 31 | 13152700 | JUNCTION | 4 |
| 32 | 065629 | BUSHING, 30x34x26 IGUS | 4 |
| 33 | 065253 | GEAR | 4 |
| 34 | 065254 | GEAR | 4 |
| 35 | 03245010 | FSTN, SCREW M10x35 12.9 | 18 |
| 36 | 30014755 | SPACER | 2 |
| 37 | 03244810 | FSTN, SCREW M10x25 12.9 | 16 |
| 38 | 30014939 | CRANKCASE | 1 |
| 39 | 03510400 | LUBRICATOR | 1 |
| 40 | 03386000 | WASHER 10,2x17,2x2,2 | 32 |
| 41 | 45070957 | PIN | 2 |
| 42 | 03730930 | SPRING | 2 |
| 43 | 45040156 | TRACK STRETCHER | 2 |
| 44 | 065256 | GEAR | 2 |
| 45 | 073501 | PIN, 20x97-M20x1,5 | 2 |
| 46 | 068662 | WASHER, 21x37x4 | 2 |
| 47 | 073502 | FSTN, NUT M20x1,5 | 2 |
| 48 | 13150402 | CONNECTOR | 2 |
| 49 | 03371120 | FSTN, NUT M20 | 2 |
| 50 | 03160900 | WASHER | 2 |
| 51 | 30014897 | CLAMP | 1 |
| 52 | 30014898 | CLAMP | 1 |
| 53 | 45153316 | SUPPORT | 2 |
| 54 | 98080002 | KIT GEAR MOTOR | 2 |
| 55 | 069253 | KIT OPERATOR'S FOOTBOARD | 1 |
| 56 | 065255 | KIT SEALS | 1 |

SECTION 1 PARTS

Hydraulic Tank Assembly Illustration



Hydraulic Tank Assembly Parts List

SECTION 1 PARTS

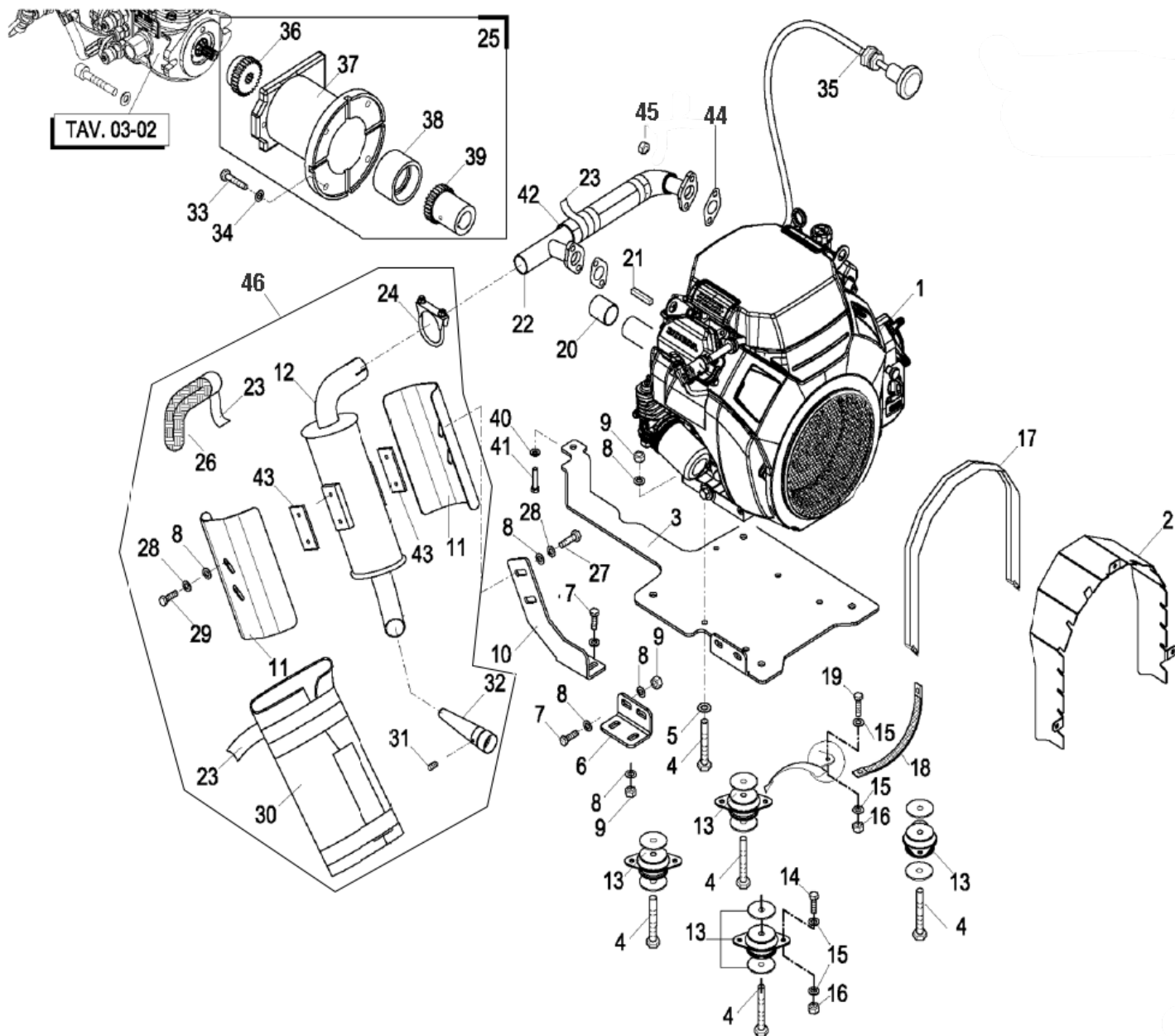
| Item | Part # | Description | Qty. |
|------|----------|--------------------------------------|------|
| 1 | 15101373 | OIL TANK | 1 |
| 2 | 03160006 | WASHER | 4 |
| 3 | 13166000 | PLUG | 3 |
| 4 | 13153900 | JUNCTION | 1 |
| 5 | 15101265 | COVERING | 1 |
| 6 | 03491002 | O.R. RING | 1 |
| 7 | 13572402 | COLLAR | 2 |
| 8 | 13150036 | REDUCTION | 3 |
| 9 | 066015 | WASHER | 3 |
| 10 | 069939 | WASHER | 2 |
| 11 | 065259 | FILTER, ELEMENT SUCTION | 1 |
| 12 | 98080003 | OIL TANK KIT | 1 |
| 13 | 98080004 | KIT COLLAR | 1 |
| 14 | 98080005 | FILTER KIT, RETURN | 1 |
| 15 | 065586 | LEVEL-LOADING PLUG | 1 |
| 16 | 070065 | FSTN, SCREW M8x30 8.8 | 2 |
| 17 | 068655 | WASHER | 4 |
| 18 | 45070727 | SPACER | 2 |
| 19 | 03365100 | FSTN, NUT M8 | 2 |
| 20 | 03231050 | FSTN, SCREW M8x45 8.8 | 2 |
| 21 | 03385600 | WASHER | 2 |
| 22 | 03220401 | FSTN, SCREW M6x16 8.8 | 6 |
| 23 | 03385600 | WASHER | 8 |
| 24 | 065258 | FILTER, HEAD/CARTRIDGE FOR RETURN | 1 |
| - | 62009962 | FILTER, CARTRIDGE ELEMENT FOR RETURN | |
| 25 | 03160006 | WASHER | 1 |
| 26 | 13152900 | JUNCTION | 1 |
| 27 | 03220601 | FSTN, SCREW M6x20 8.8 | 2 |

NOTE: FULL AT14 FILTER ELEMENT SERVICE KIT PN 082067

- 064831 (ENG OIL FILTER)
- 064832 (ENG AIR FILTER)
- 064833 (FUEL FILTER)
- 62009962 (HYD RETURN CARTRIDGE ELEMENT)
- 065259 (HYD SUCTION FILTER)

SECTION 1 PARTS

Engine Assembly Illustration



NOTE: AT14 Muffler/Collector replacement Kit (080615), Ref items 46 & 22.

1. 080616 (Manifold/Collector)
2. 080617 (Flex Tube for Exhaust. Collector to Muffler connection)
3. 080618 (Muffler)
4. 080619 (Clamp, Washer, and Nut Package)
5. 080724 (Thermic Fiberglass Band 50" x 3" Tmax = 1000°C)

This Kit adds a new Flex Tube component (not shown) connecting item 22 to item 12.

NOTE: FULL AT12, AT14 FILTER ELEMENT SERVICE KIT PN 082067

- 064831 (ENG OIL FILTER)
- 064832 (ENG AIR FILTER)
- 064833 (FUEL FILTER)
- 065259 (HYD SUCTION FILTER)
- 62009962 (HYD RETURN CARTRIDGE) ELEMENT

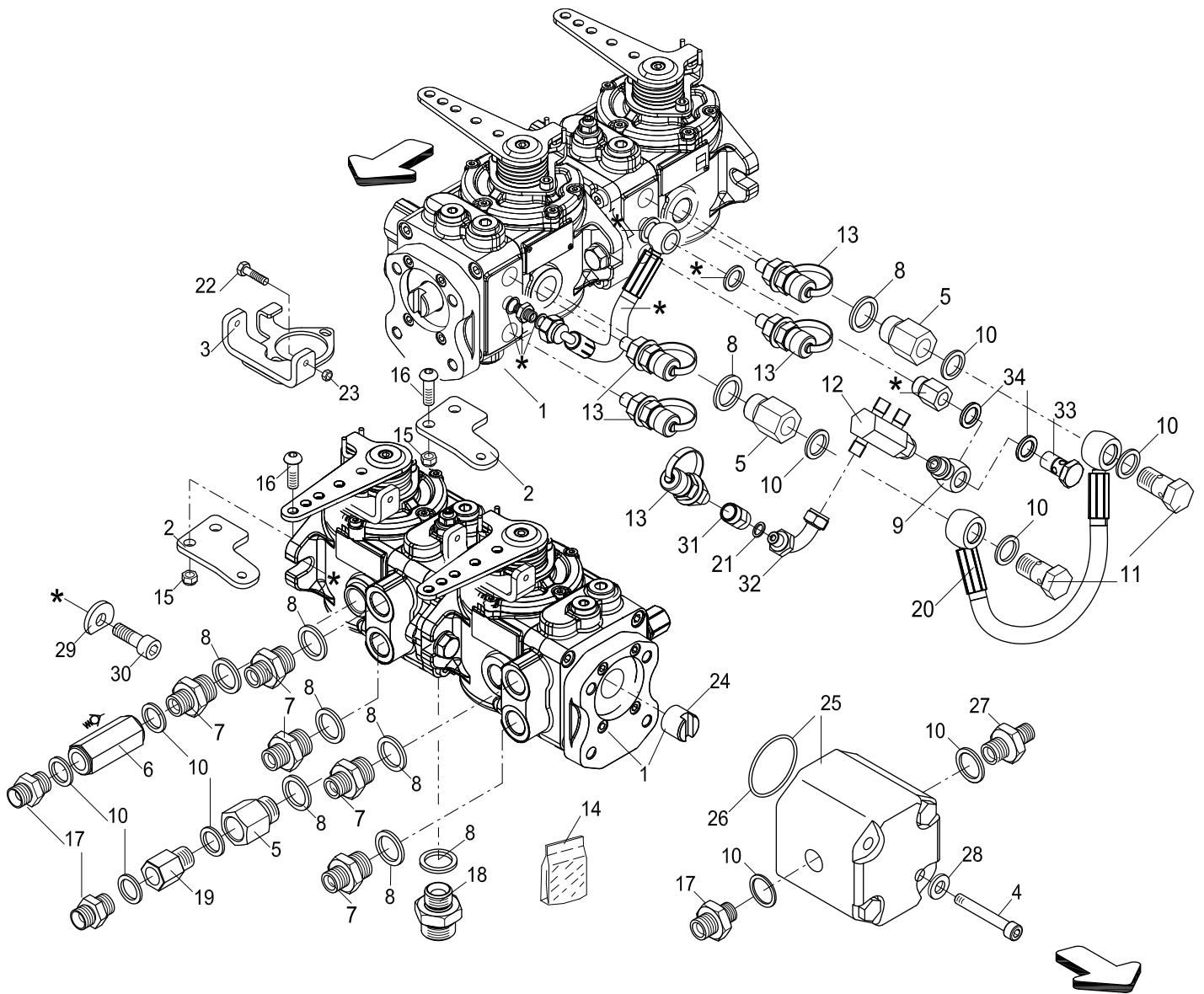
Engine Assembly Parts List

SECTION 1 PARTS

| <i>Item</i> | <i>Part #</i> | <i>Description</i> | <i>Qty.</i> |
|-------------|---------------|-------------------------------|-------------|
| 1 | 081159 | ENGINE, GX630 | 1 |
| 2 | 065831 | CONVEYOR | 1 |
| 3 | 20051907 | MOTOR BASE | 1 |
| 4 | 03231111 | FSTN, SCREW M8x50 8.8 | 8 |
| 5 | 03385201 | WASHER | 4 |
| 6 | 074070 | CLAMP | 1 |
| 7 | 069925 | SCREW | 4 |
| 8 | 069020 | WASHER | 16 |
| 9 | 03365101 | FSTN, NUT M8 | 8 |
| 10 | 074069 | CLAMP | 1 |
| 11 | 069021 | CLAMP | 2 |
| 12 | - | MUFFLER (OLD 069022) | 1 |
| 13 | 065587 | VIBRATION-DAMPING | 4 |
| 14 | 03220601 | FSTN, SCREW M6x20 8.8 | 7 |
| 15 | 068666 | WASHER | 16 |
| 16 | 03364004 | FSTN, NUT M6 | 8 |
| 17 | 065832 | GASKET, L.800 | 1 |
| 18 | 13467900 | EARTHING CABLE | 1 |
| 19 | 03220701 | FSTN, SCREW M6x25 8.8 | 1 |
| 20 | 45020371 | SPACER | 1 |
| 21 | 03415001 | KEY | 1 |
| 22 | 080616 | COLLECTOR (OLD 069488) | 1 |
| 23 | 069023 | ADHESIVE TAPE | 1 |
| 24 | 068125 | COLLAR | 1 |
| 25 | 065260 | COUPLER | 1 |
| 26 | 068126 | PROTECTION | 1 |
| 27 | 069925 | FSTN, SCREW M8x25 8.8 | 2 |
| 28 | 069026 | WASHER | 4 |
| 29 | 069027 | FSTN, SCREW M8x10 8.8 | 2 |
| 30 | 069028 | PANEL | 1 |
| 31 | 03217504 | SCREW | 1 |
| 32 | 13009604 | KIT SPARK ARRESTER | 1 |
| 33 | 03237553 | FSTN, SCREW 5/16"-24 x 1"1/4 | 4 |
| 34 | 03385050 | WASHER | 4 |
| 35 | 067562 | CHOKE CABLE | 1 |
| 36 | 63529618 | HUB | 1 |
| 37 | 63529617 | MOUNTING | 1 |
| 38 | 63529620 | SLEEVE | 1 |
| 39 | 63529619 | HUB | 1 |
| 40 | 03385050 | WASHER | 1 |
| 41 | 03230501 | SCREW | 1 |
| 42 | 069489 | PROTECTION | 1 |
| 43 | 069029 | PANEL | 2 |
| 44 | 069490 | DISCHARGE GASKET | 2 |
| 45 | 069491 | NUT | 4 |
| 46 | 080618 | MUFFLER ASSEMBLY (OLD 068127) | - |

SECTION 1 PARTS

Hydraulic Pump Assembly Illustration



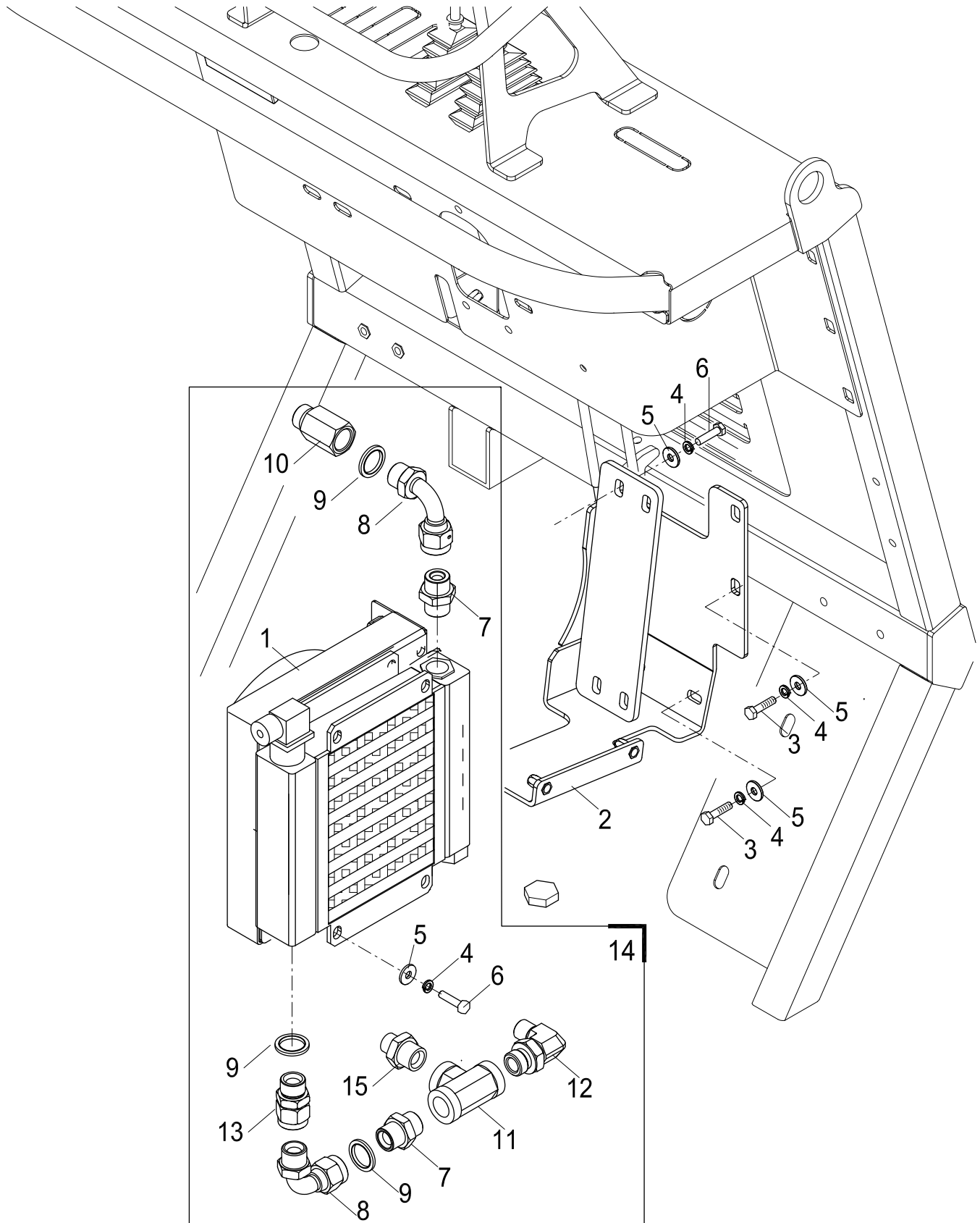
Hydraulic Pump Assembly Parts List

SECTION 1 PARTS

| Item | Part # | Description | Qty. |
|------|----------|-------------------------|------|
| 1 | 065262 | PUMP | 1 |
| 2 | 25150273 | CONTROL DEVICE | 2 |
| 3 | 25150285 | ADJUSTER | 2 |
| 4 | 03235280 | FSTN, SCREW M8x80 8.8 | 2 |
| 5 | 13154200 | CONNECTOR | 3 |
| 6 | 13843001 | VALVE | 1 |
| 7 | 13153900 | CONNECTOR | 4 |
| 8 | 03160006 | WASHER | 9 |
| 9 | 03150303 | CONNECTOR | 1 |
| 10 | 03160902 | WASHER | 10 |
| 11 | 03150600 | SCREW | 2 |
| 12 | 03635007 | CONNECTOR | 1 |
| 13 | 065589 | CHECKING COUPLING | 5 |
| 14 | 065261 | KIT - SEALS | 1 |
| 15 | 03365150 | FSTN, NUT M8 | 4 |
| 16 | 03237702 | FSTN, SCREW M8x25 8.8 | 4 |
| 17 | 13152800 | JUNCTION | 3 |
| 18 | 13154000 | CONNECTOR | 1 |
| 19 | 03621100 | CONNECTOR | 1 |
| 20 | 03123401 | PIPE | 1 |
| 21 | 03160900 | WASHER | 1 |
| 22 | 03220601 | FSTN, SCREW M6x20 8.8 | 4 |
| 23 | 03364003 | FSTN, NUT M6 | 4 |
| 24 | 065591 | JOINT, FRONT 5-8 | 1 |
| 25 | 065263 | PUMP | 1 |
| 26 | 065592 | O.R. RING | 1 |
| 27 | 13154010 | REDUCTION | 1 |
| 28 | 03385000 | WASHER, 8,1x14,2x2 | 2 |
| 29 | 45071165 | WASHER, 10,5x28x4 | 2 |
| 30 | 03244902 | FSTN, SCREW M10x30 12.9 | 2 |
| 31 | 03620202 | CONNECTOR | 1 |
| 32 | 03600009 | ELBOW | 1 |

SECTION 1 PARTS

Hydraulic Cooler Assembly Illustration



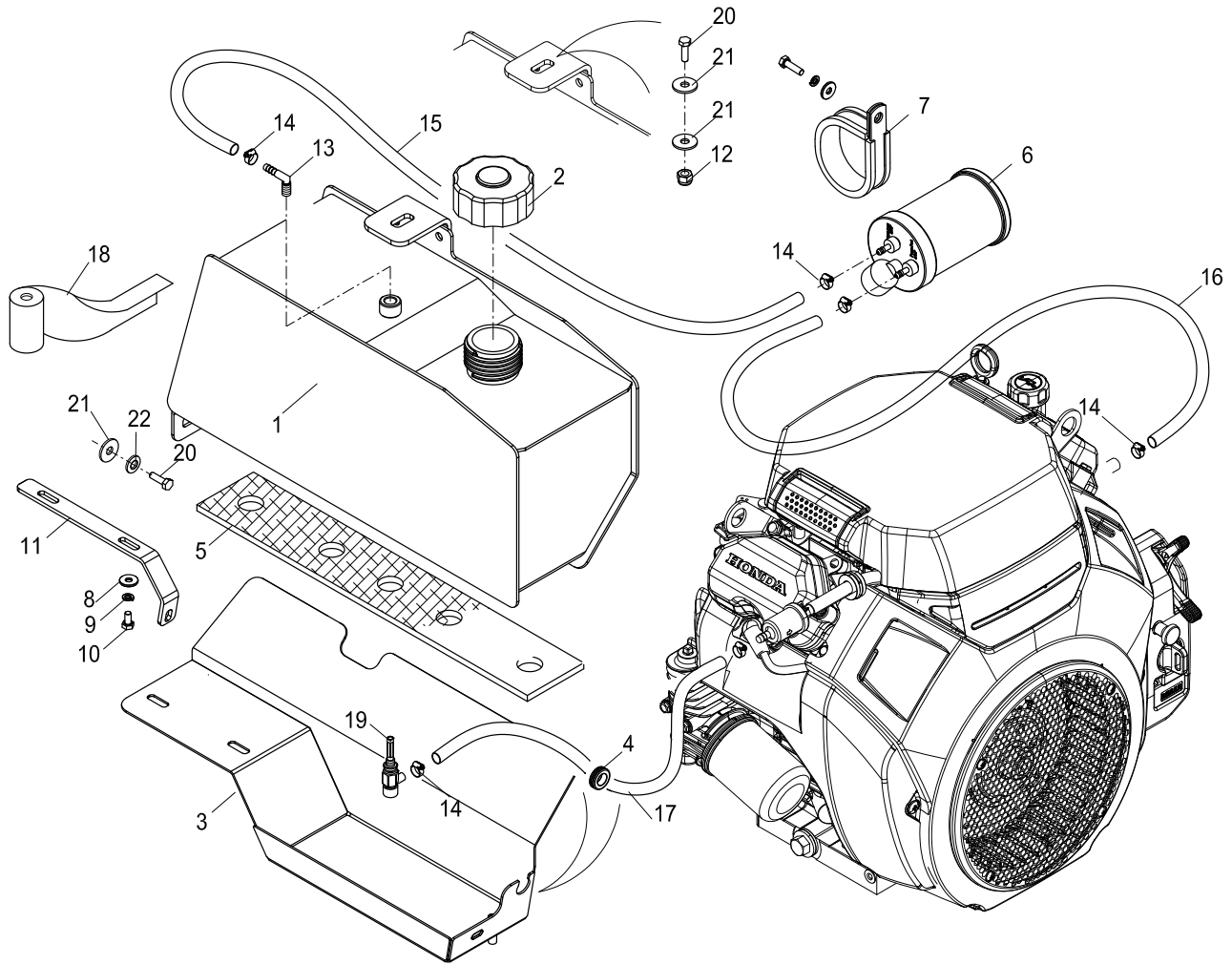
Hydraulic Cooler Assembly Parts List

SECTION 1 PARTS

| <i>Item</i> | <i>Part #</i> | <i>Description</i> | <i>Qty.</i> |
|-------------|---------------|-----------------------|-------------|
| 1 | 073500 | RADIATOR | 1 |
| 2 | 45155465 | SUPPORT | 1 |
| 3 | 03220701 | FSTN, SCREW M6x25 8.8 | 4 |
| 4 | 069939 | WASHER, 6,1x11,1x1,6 | 10 |
| 5 | 069938 | WASHER, 6,6x18x2 | 10 |
| 6 | 03220601 | FSTN SCREW M6x20 8.8 | 4 |
| 7 | 13152900 | JUNCTION | 2 |
| 8 | 03606000 | ELBOW | 2 |
| 9 | 03160006 | WASHER | 3 |
| 10 | 03628100 | CONNECTOR | 1 |
| 11 | 03639800 | JUNCTION | 1 |
| 12 | 13161211 | CONNECTOR | 1 |
| 13 | 13152600 | JUNCTION | 1 |
| 14 | 98080006 | KIT RADIATOR | 1 |
| 15 | 13153900 | JUNCTION | 1 |

SECTION 1 PARTS

Fuel Tank Assembly Illustration



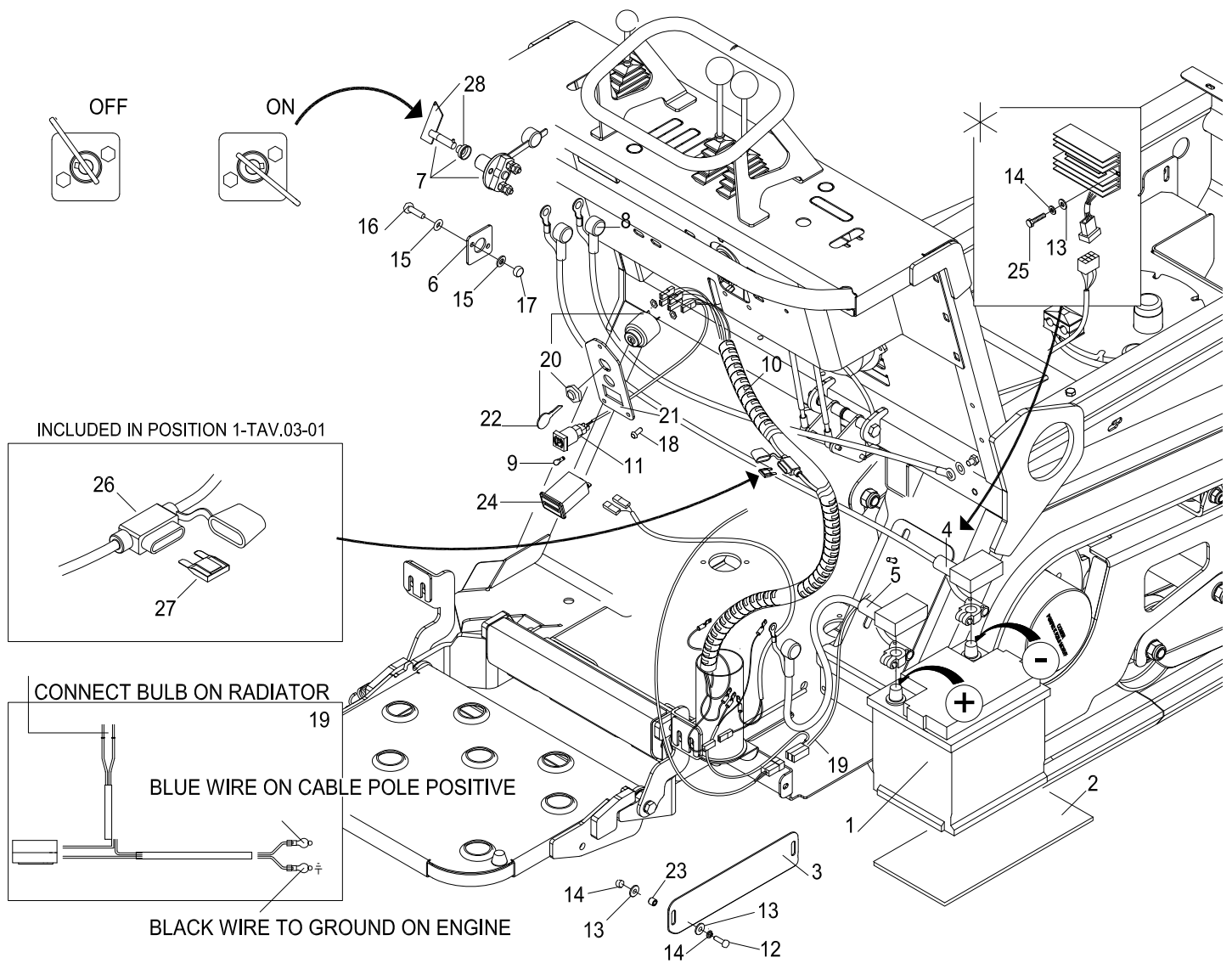
Fuel Tank Assembly Parts List

SECTION 1 PARTS

| <i>Item</i> | <i>Part #</i> | <i>Description</i> | <i>Qty.</i> |
|-------------|---------------|------------------------|-------------|
| 1 | 15101393 | FUEL TANK | 1 |
| 2 | 065593 | PLUG | 1 |
| 3 | 15101405 | PANEL | 1 |
| 4 | 03480021 | FAIRLEAD | 1 |
| 5 | 30322212 | PANEL | 1 |
| 6 | 066433 | CARBON CANISTER | 1 |
| 7 | 13572444 | COLLAR | 1 |
| 8 | 069938 | WASHER | 2 |
| 9 | 069939 | WASHER, 6,1x11,1x1,6 | 2 |
| 10 | 03220200 | FSTN, SCREW M6x12 8.8 | 2 |
| 11 | 15101425 | PLATE | 1 |
| 12 | 03365100 | FSTN, NUT M8 | 3 |
| 13 | 33140028 | CONNECTOR | 1 |
| 14 | 13577901 | CLAMP | 6 |
| 15 | 25170177 | PIPE, 4.7x 11.1 L.650 | 1 |
| 16 | 25170176 | PIPE, 11.1x 22.2 L.800 | 1 |
| 17 | 25170178 | PIPE, 6.3x 12.7 L.450 | 1 |
| 18 | 069023 | ADHESIVE TAPE | 1 |
| 19 | 13008905 | TAP | 1 |
| 20 | 069925 | FSTN, SCREW M8x25 8.8 | 3 |
| 21 | 068655 | WASHER, 8,4x24x2 | 4 |
| 22 | 03385050 | WASHER | 2 |

SECTION 1 PARTS

Wiring Assembly Illustration



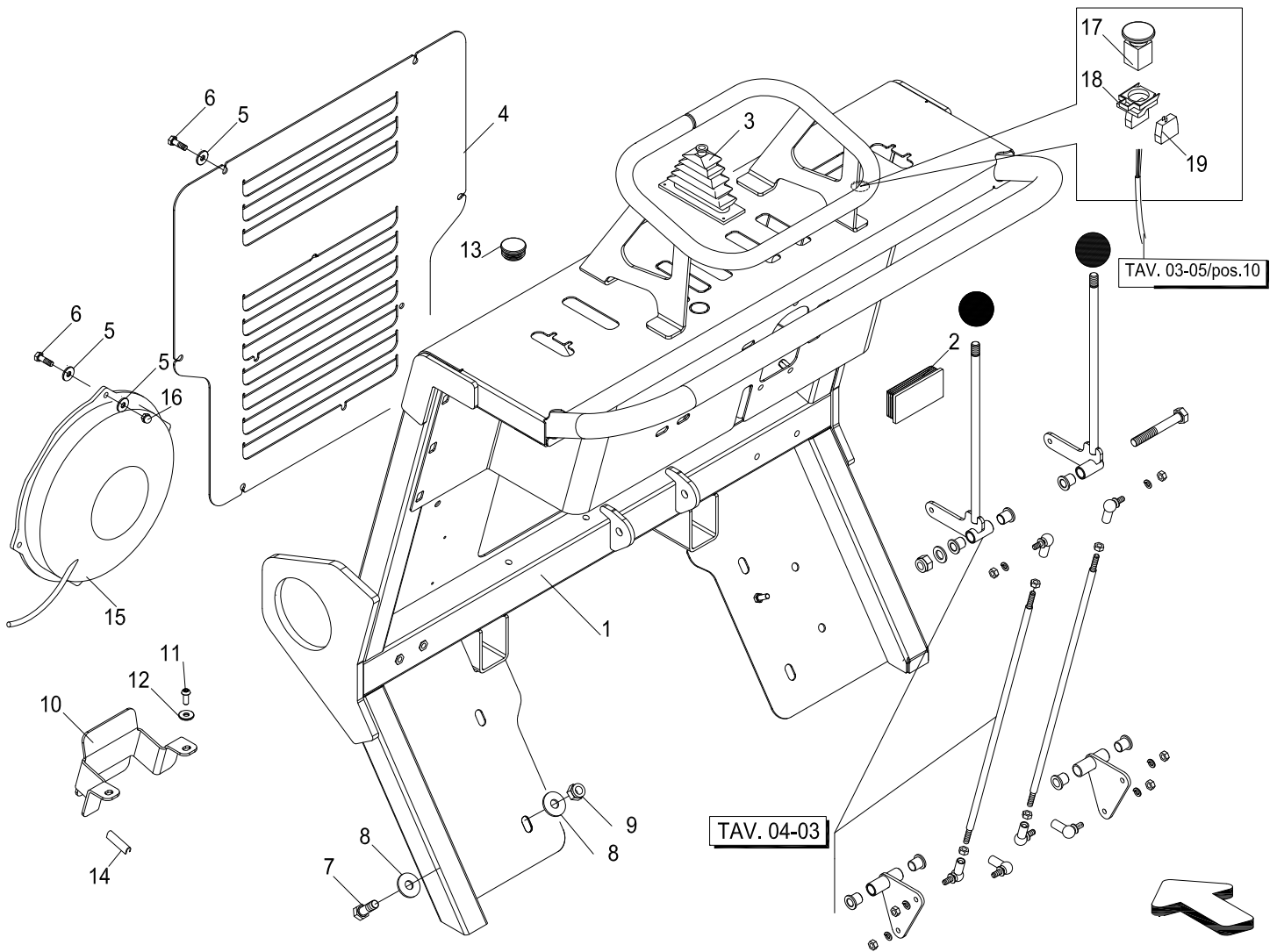
Wiring Assembly Parts List

SECTION 1 PARTS

| <i>Item</i> | <i>Part #</i> | <i>Description</i> | <i>Qty.</i> |
|-------------|---------------|------------------------------|-------------|
| 1 | 03010017 | BATTERY | 1 |
| 2 | 30013521 | PROTECTION | 1 |
| 3 | 069936 | CLAMP | 1 |
| 4 | 60031668 | NEGATIVE POLE CABLE | 1 |
| 5 | 60031669 | POSITIVE POLE CABLE | 1 |
| 6 | 60020116 | FLANGE | 1 |
| 7 | 065264 | BATTERY DISCONNECTING DEVICE | 1 |
| 8 | 60031667 | NEGATIVE POLE CABLE | 1 |
| 9 | 03480601 | LAMP | 1 |
| 10 | 070058 | CABLE | 1 |
| 11 | 33482061 | WARNING LIGHT | 1 |
| 12 | 069937 | FSTN, SCREW M6x20 A2 | 2 |
| 13 | 069938 | WASHER, 6,6x18x2 | 2 |
| 14 | 069939 | WASHER, 6,1x11,1x1,6 | 2 |
| 15 | 068667 | FSTN, NUT M6 | 4 |
| 16 | 03220701 | FSTN, SCREW M6x25 8.8 | 2 |
| 17 | 068667 | FSTN, NUT M6 | 4 |
| 18 | 03227700 | FSTN, SCREW M6x16 4.6 | 3 |
| 19 | 60031756 | ELECTRIC SYSTEM | 1 |
| 20 | 065265 | STARTING SWITCH | 1 |
| 21 | 60020128 | PLATE | 1 |
| 22 | 60031672 | ELECTRIC SYSTEM | 1 |
| 23 | 069940 | SPACER | 2 |
| 24 | 065625 | HOUR COUNTER | 1 |
| 25 | 02330800 | SCREW | 2 |
| 26 | 03489504 | FUSE CARRIER | 1 |
| 27 | 72482407 | FUSE | 1 |
| 28 | 070053 | KEY | 1 |

SECTION 1 PARTS

Operator Console Assembly Illustration



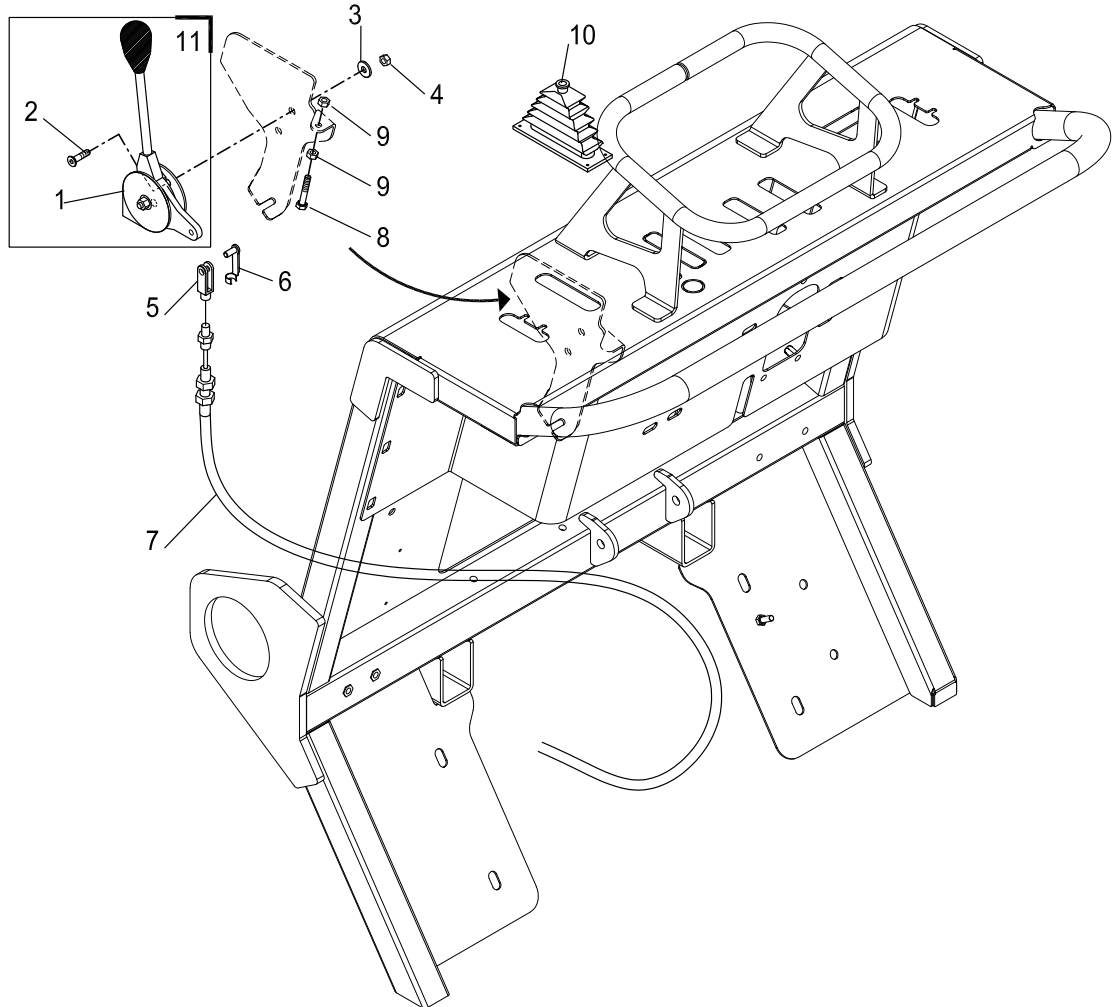
Operator Console Assembly Parts List

SECTION 1 PARTS

| <i>Item</i> | <i>Part #</i> | <i>Description</i> | <i>Qty.</i> |
|-------------|---------------|------------------------|-------------|
| 1 | 55030821 | FRAME - DRIVING PLACE | 1 |
| 2 | 13480010 | PLUG | 1 |
| 3 | 065266 | PROTECTION | 3 |
| 4 | 30014950 | PROTECTION | 1 |
| 5 | 069938 | WASHER, 6,6x18x2 | 14 |
| 6 | 03227702 | FSTN, SCREW M6x20 4.6 | 10 |
| 7 | 03240501 | FSTN, SCREW M10x30 8.8 | 6 |
| 8 | 03386011 | WASHER, 11x30x2,5 | 12 |
| 9 | 03366300 | FSTN, NUT M10 | 6 |
| 10 | 30014864 | CLAMP | 1 |
| 11 | 03227700 | FSTN, SCREW M6x16 4.6 | 2 |
| 12 | 069938 | WASHER, 6,6x18x2 | 2 |
| 13 | 13480200 | PLUG | 2 |
| 14 | 30014864 | CLAMP | 1 |
| 15 | 070708 | ELECTRIC FAN | 1 |
| 16 | 068667 | FSTN, NUT M6 | 4 |
| 17 | 065274 | PUSH BUTTON | 1 |
| 18 | 067566 | CONTACT | 1 |
| 19 | 067565 | CONTACT SUPPORT | 1 |

SECTION 1 PARTS

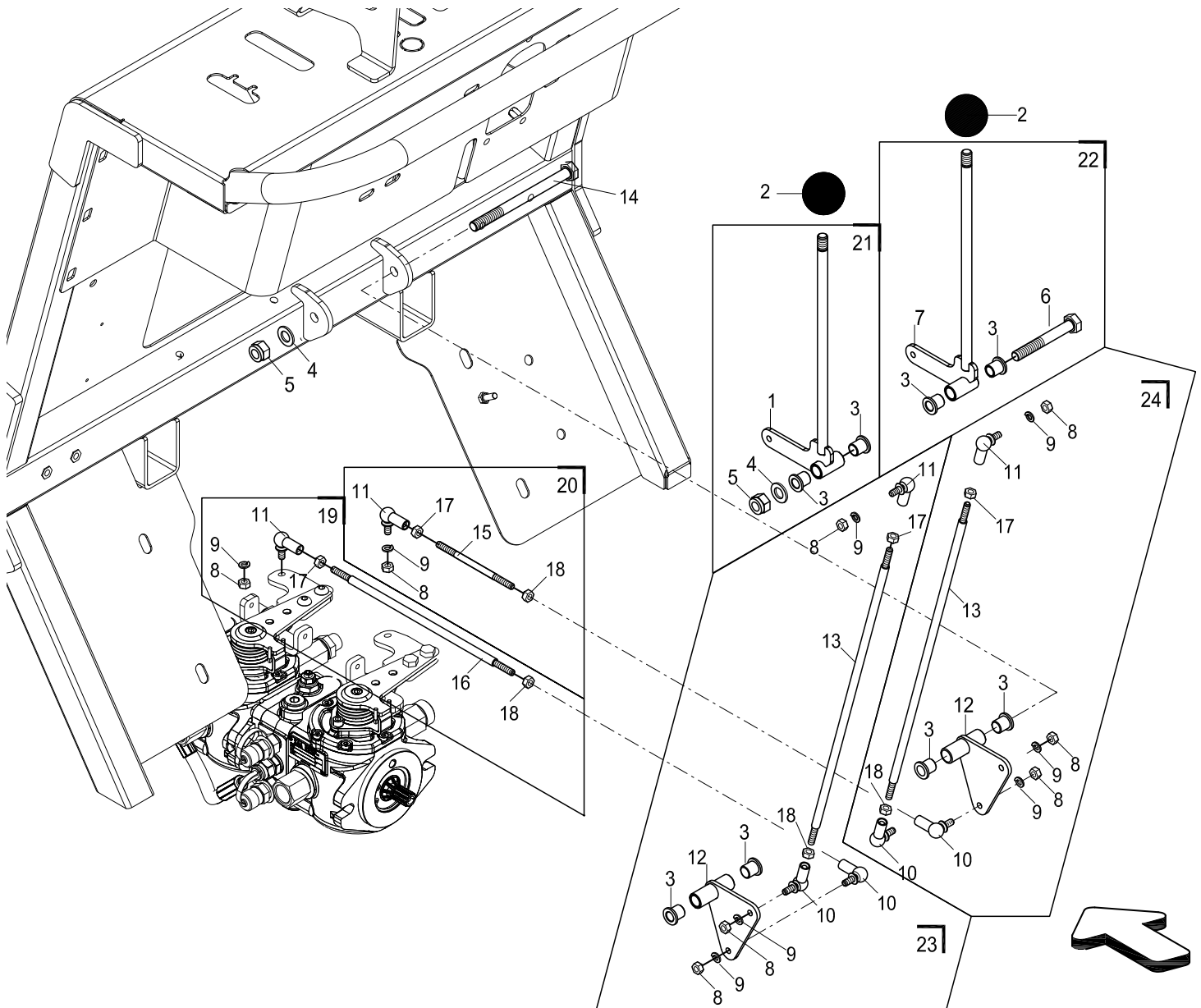
Throttle Assembly Illustration



| <i>Item</i> | <i>Part #</i> | <i>Description</i> | <i>Qty.</i> |
|-------------|---------------|------------------------|-------------|
| 1 | 065267 | HAND-LEVER | 1 |
| 2 | 03227520 | FSTN, SCREW M6x25 10.9 | 2 |
| 3 | 069938 | WASHER, 6,6x18x2 | 2 |
| 4 | 068667 | FSTN, NUT M6 | 2 |
| 5 | 071906 | FORK | 1 |
| 6 | 071907 | PIN | 1 |
| 7 | 065268 | CABLE | 1 |
| 8 | 03220901 | FSTN, SCREW M6x35 8.8 | 1 |
| 9 | 03364001 | FSTN, NUT M6 (5588) | 2 |
| 10 | 065266 | PROTECTION | 1 |
| 11 | 071909 | KIT HAND-LEVER | 1 |

SECTION 1 PARTS

Control Lever Assembly Illustration



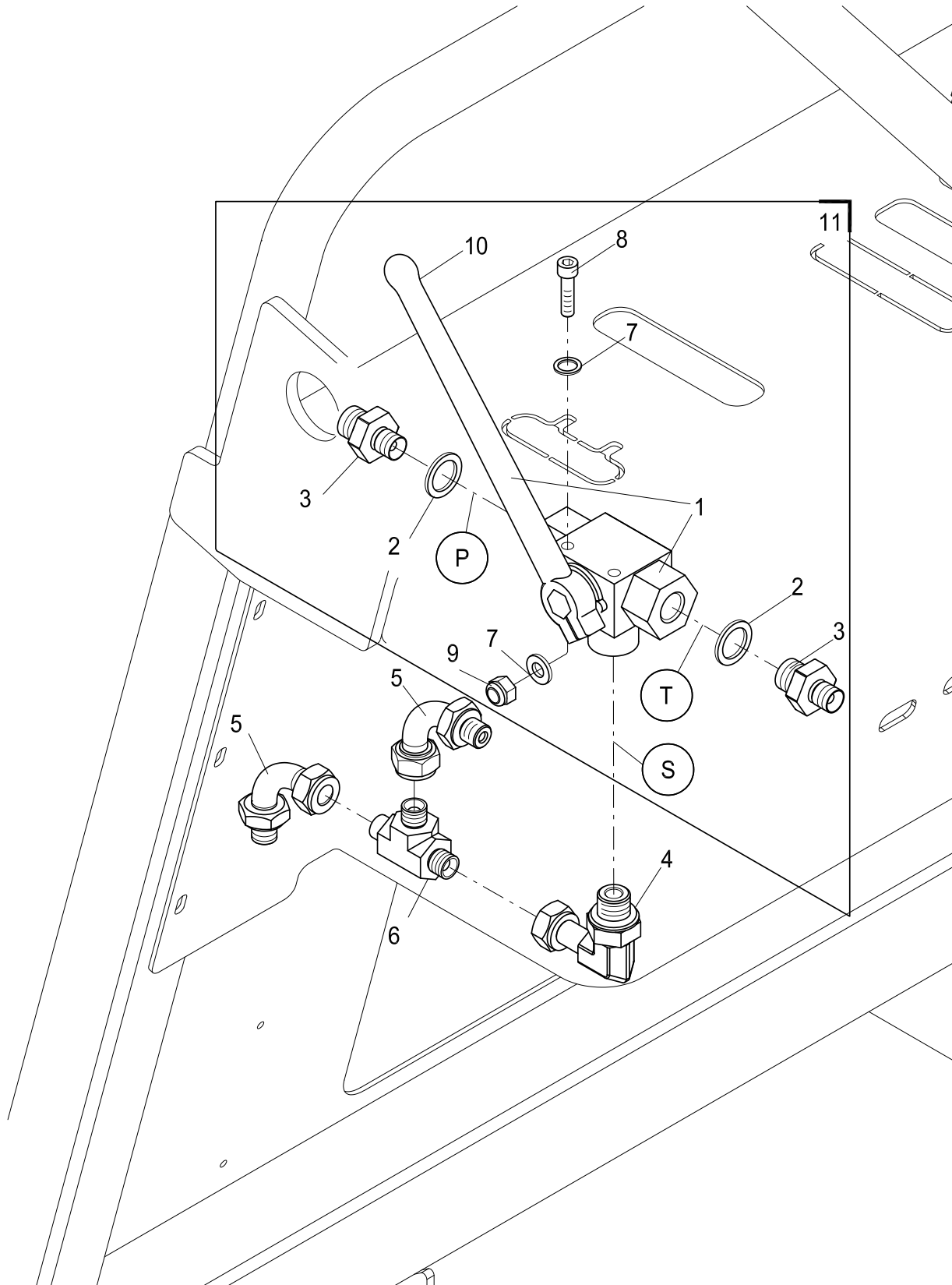
Control Lever Assembly Parts List

SECTION 1 PARTS

| <i>Item</i> | <i>Part #</i> | <i>Description</i> | <i>Qty.</i> |
|-------------|---------------|------------------------------------|-------------|
| 1 | 065574 | COMPLETE LEVER, SX TRANSMISSION | 1 |
| 2 | 069714 | HANDGRIP | 2 |
| 3 | 33592601 | BUSH | 8 |
| 4 | 03386201 | WASHER, 10,5x21x2 | 2 |
| 5 | 03366300 | FSTN, NUT M10 | 2 |
| 6 | 03241700 | FSTN, SCREW M10x100 8.8 | 1 |
| 7 | 065575 | COMPLETE LEVER, DX TRANSMISSION | 1 |
| 8 | 068667 | FSTN, NUT M6 | 8 |
| 9 | 069939 | WASHER, 6,1x11,1x1,6 | 8 |
| 10 | 065576 | LEFT ARTICULATION | 4 |
| 11 | 065577 | ARTICULATION | 4 |
| 12 | 50101182 | CONNECTING ROD | 2 |
| 13 | 065578 | CONTROL LEVER | 2 |
| 14 | 03242000 | FSTN, SCREW M10x130 8.8 | 1 |
| 15 | 065579 | TIE ROD, L.125 | 1 |
| 16 | 065580 | TIE ROD, L.270 | 1 |
| 17 | 03364001 | FSTN, NUT M6 (5588) | 4 |
| 18 | 03364002 | LEFT NUT | 4 |
| 19 | 98080008 | KIT - LINK ROD | 1 |
| 20 | 98080009 | KIT - LINK ROD | 1 |
| 21 | 98080012 | TRAVEL LEVER | 1 |
| 22 | 98080013 | TRAVEL LEVER | 1 |
| 23 | 98080010 | KIT - LINK ROD | 1 |
| 24 | 98080011 | KIT - LINK ROD | 1 |

SECTION 1 PARTS

Control Lever Assembly Illustration



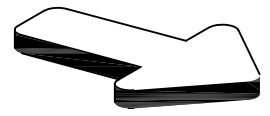
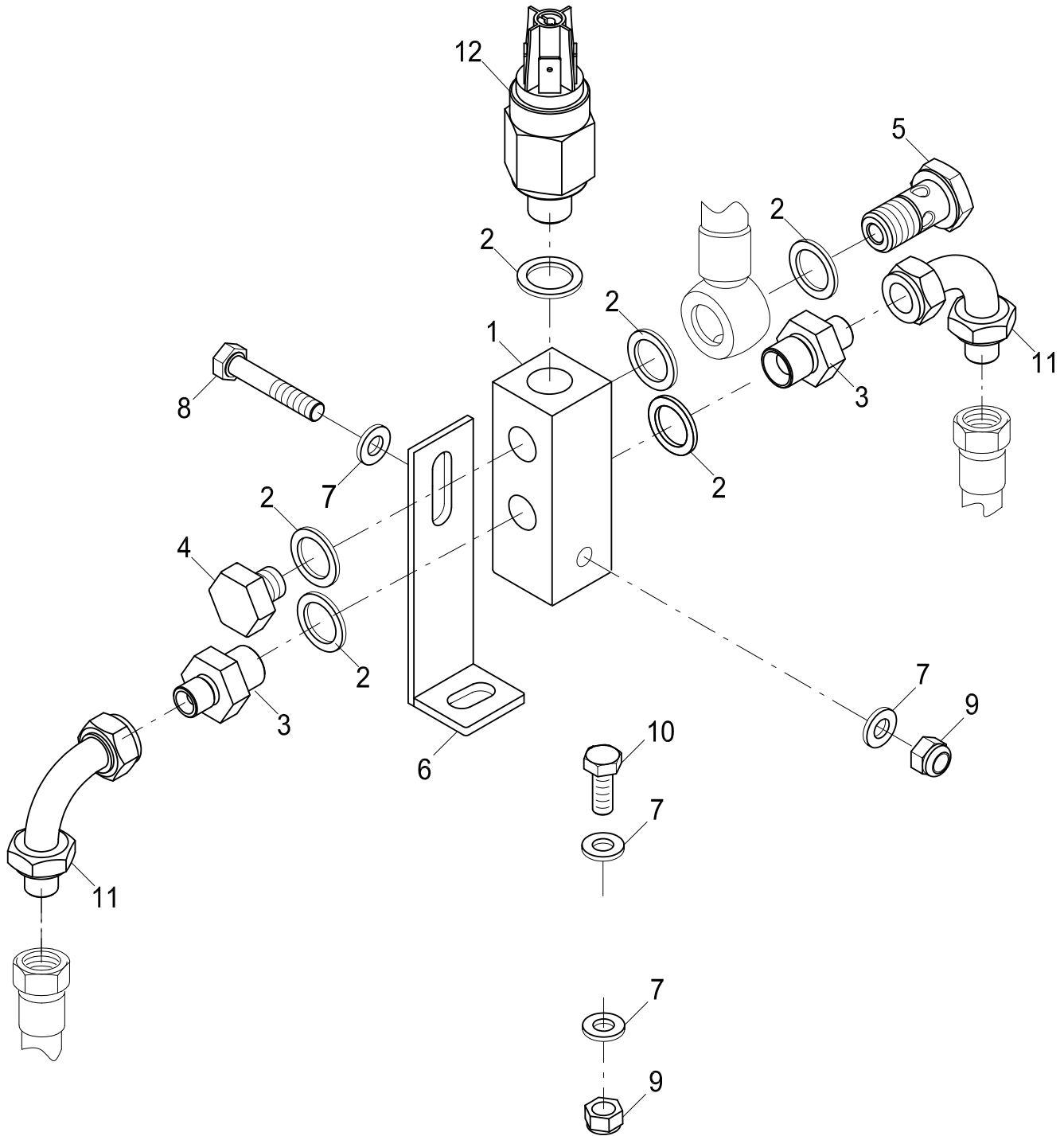
Control Lever Assembly Parts List

SECTION 1 PARTS

| Item | Part # | Description | Qty. |
|------|----------|-----------------------|------|
| 1 | 065581 | TAP | 1 |
| 2 | 03168500 | GASKET | 2 |
| 3 | 13150036 | CONNECTOR | 2 |
| 4 | 13161234 | CONNECTOR | 1 |
| 5 | 03600009 | ELBOW | 2 |
| 6 | 03630302 | JUNCTION | 1 |
| 7 | 03381000 | WASHER, 5,3x10x1 | 4 |
| 8 | 03214600 | FSTN, SCREW M5x45 8.8 | 2 |
| 9 | 03363001 | FSTN, NUT M5 | 2 |
| 10 | 63840000 | LEVER | 1 |
| 11 | 98080015 | KIT LEVER | 1 |

SECTION 1 PARTS

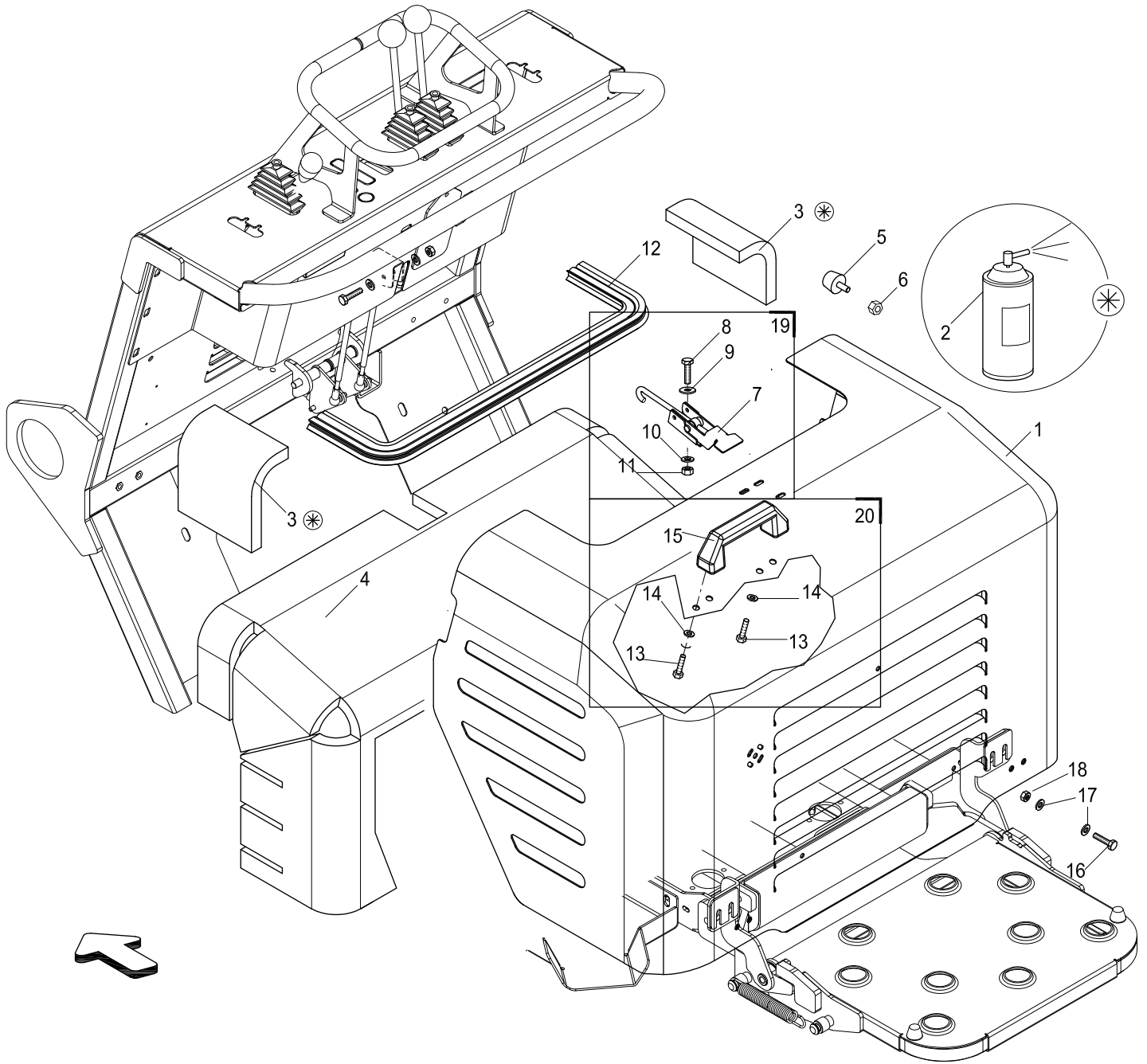
Block Drainages and Servos Illustration



| Item | Part # | Description | Qty. |
|-------------|---------------|-----------------------|-------------|
| 1 | 25200650 | CONNECTOR | 1 |
| 2 | 066015 | WASHER | 6 |
| 3 | 13150036 | CONNECTOR | 2 |
| 4 | 13166010 | PLUG | 1 |
| 5 | 03150006 | SCREW | 1 |
| 6 | 45500134 | SUPPORT | 1 |
| 7 | 03383202 | WASHER, 6,4x12,5x1,6 | 4 |
| 8 | 03220901 | FSTN, SCREW M6x35 | 1 |
| 9 | 068667 | FSTN, NUT M6 | 2 |
| 10 | 03220401 | FSTN, SCREW M6x16 8.8 | 1 |
| 11 | 03600009 | ELBOW | 2 |
| 12 | 065582 | SWITCH | 1 |

SECTION 1 PARTS

Hood Assembly Illustration



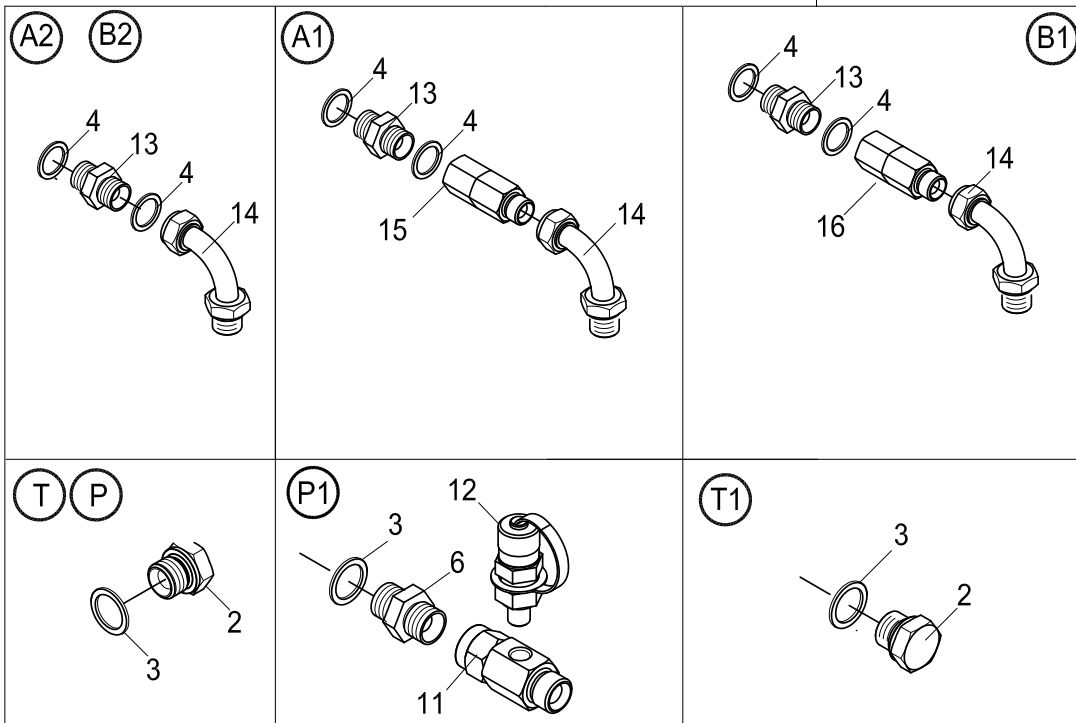
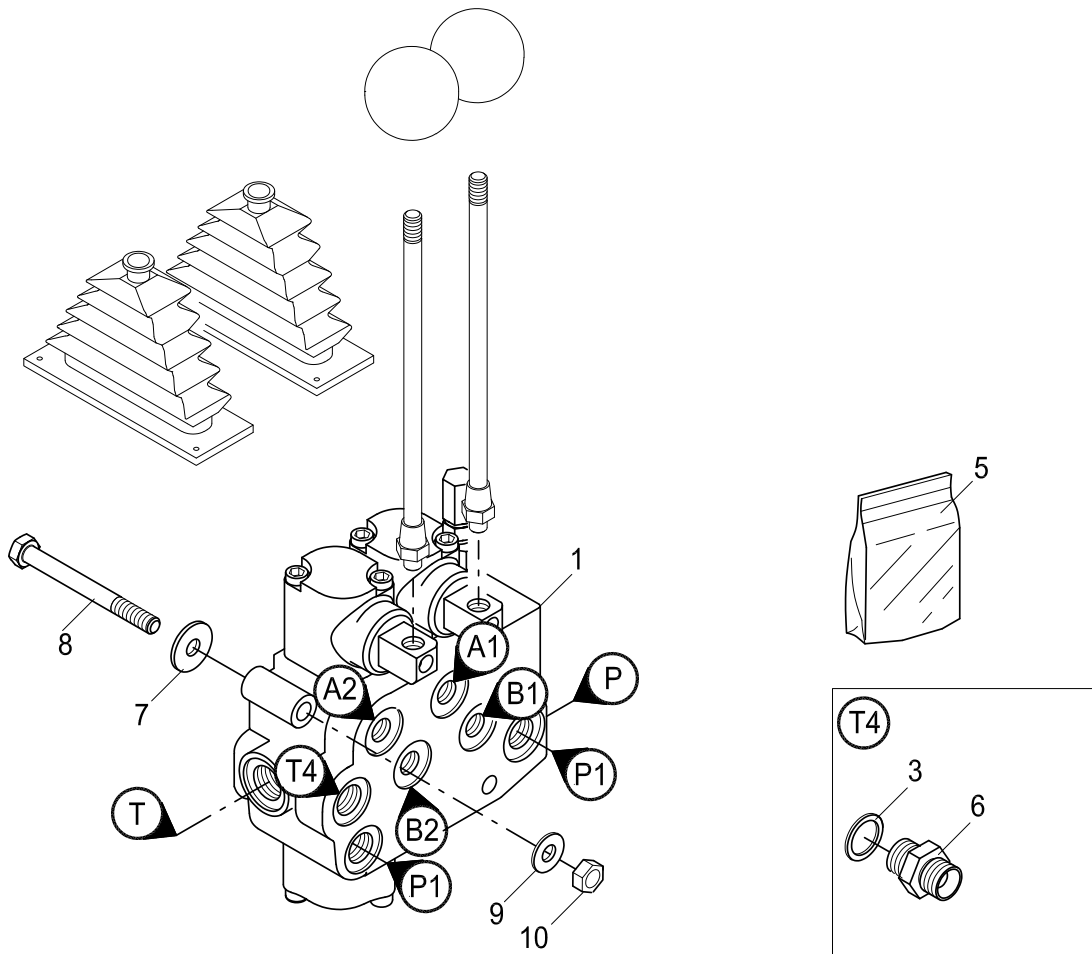
Hood Assembly Parts List

SECTION 1 PARTS

| Item | Part # | Description | Qty. |
|------|----------|-----------------------|------|
| 1 | 065330 | HOOD | 1 |
| 2 | 069927 | ADHESIVE | 2 |
| 3 | 065331 | ISOLATION | 2 |
| 4 | 065332 | PANEL | 1 |
| 5 | 065583 | VIBRATION-DAMPING | 2 |
| 6 | 03364001 | FSTN, NUT M6 | 2 |
| 7 | 065269 | LOCKING | 1 |
| 8 | 03220601 | FSTN, SCREW M6x20 8.8 | 2 |
| 9 | 068666 | WASHER, 6,4x12,5x1,6 | 2 |
| 10 | 069938 | WASHER, 6,6x18x2 | 2 |
| 11 | 068667 | FSTN, NUT M6 | 2 |
| 12 | 065335 | GASKET | 1 |
| 13 | 03230501 | FSTN, SCREW M8x20 8.8 | 2 |
| 14 | 03385601 | WASHER, 9x24x2 | 2 |
| 15 | 065584 | HANDLE | 1 |
| 16 | 03230501 | FSTN, SCREW M8x20 8.8 | 4 |
| 17 | 03385600 | WASHER, 8,4x17x1,6 | 8 |
| 18 | 03365100 | FSTN, NUT M8 | 4 |
| 19 | 065333 | KIT-LOCKING | 1 |
| 20 | 065334 | KIT HANDLE | 1 |

SECTION 1 PARTS

Bucket Valve Fitting Assembly Illustration



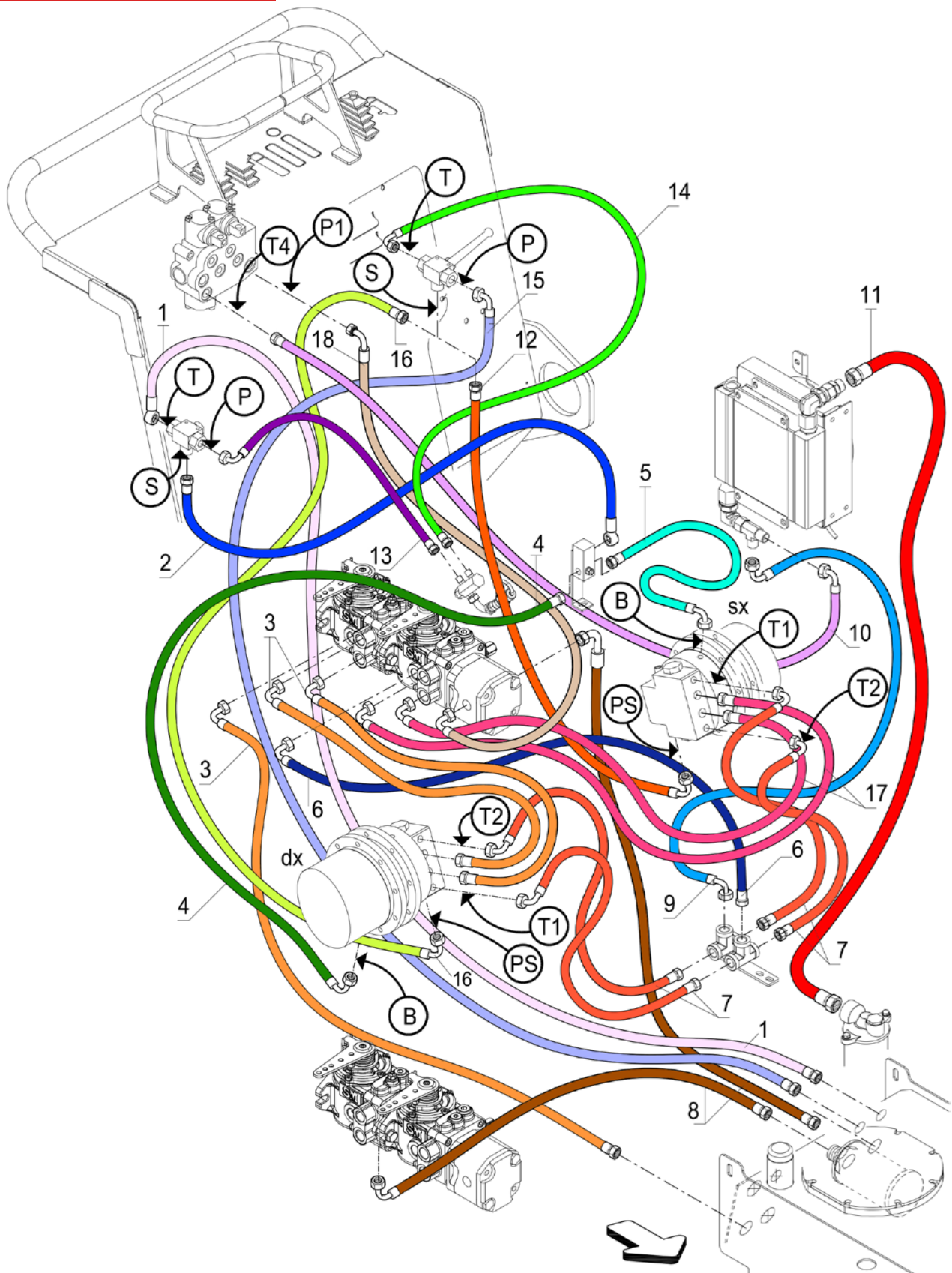
Bucket Valve Fitting Assembly Parts List

SECTION 1 PARTS

| Item | Part # | Description | Qty. |
|------|----------|-----------------------|------|
| 1 | 065624 | DISTRIBUTOR | 1 |
| 2 | 13160013 | PLUG | 3 |
| 3 | 03160902 | WASHER | 5 |
| 4 | 066015 | WASHER | 4 |
| 5 | 065270 | KIT SEALS | 1 |
| 6 | 13152800 | JUNCTION | 2 |
| 7 | 068655 | WASHER | 2 |
| 8 | 03231301 | FSTN, SCREW M8x60 8.8 | 2 |
| 9 | 03385201 | WASHER, 8,4x17x1,6 | 2 |
| 10 | 03365100 | FSTN, NUT M8 | 2 |
| 11 | 25200603 | CONNECTOR | 1 |
| 12 | 065589 | CHECKING COUPLING | 1 |
| 13 | 13152700 | JUNCTION | 4 |
| 14 | 03605800 | ELBOW | 4 |
| 15 | 13843506 | THROAT | 1 |
| 16 | 13843507 | VALVE | 1 |

SECTION 1 PARTS

Hydraulic Hose Assembly Illustration



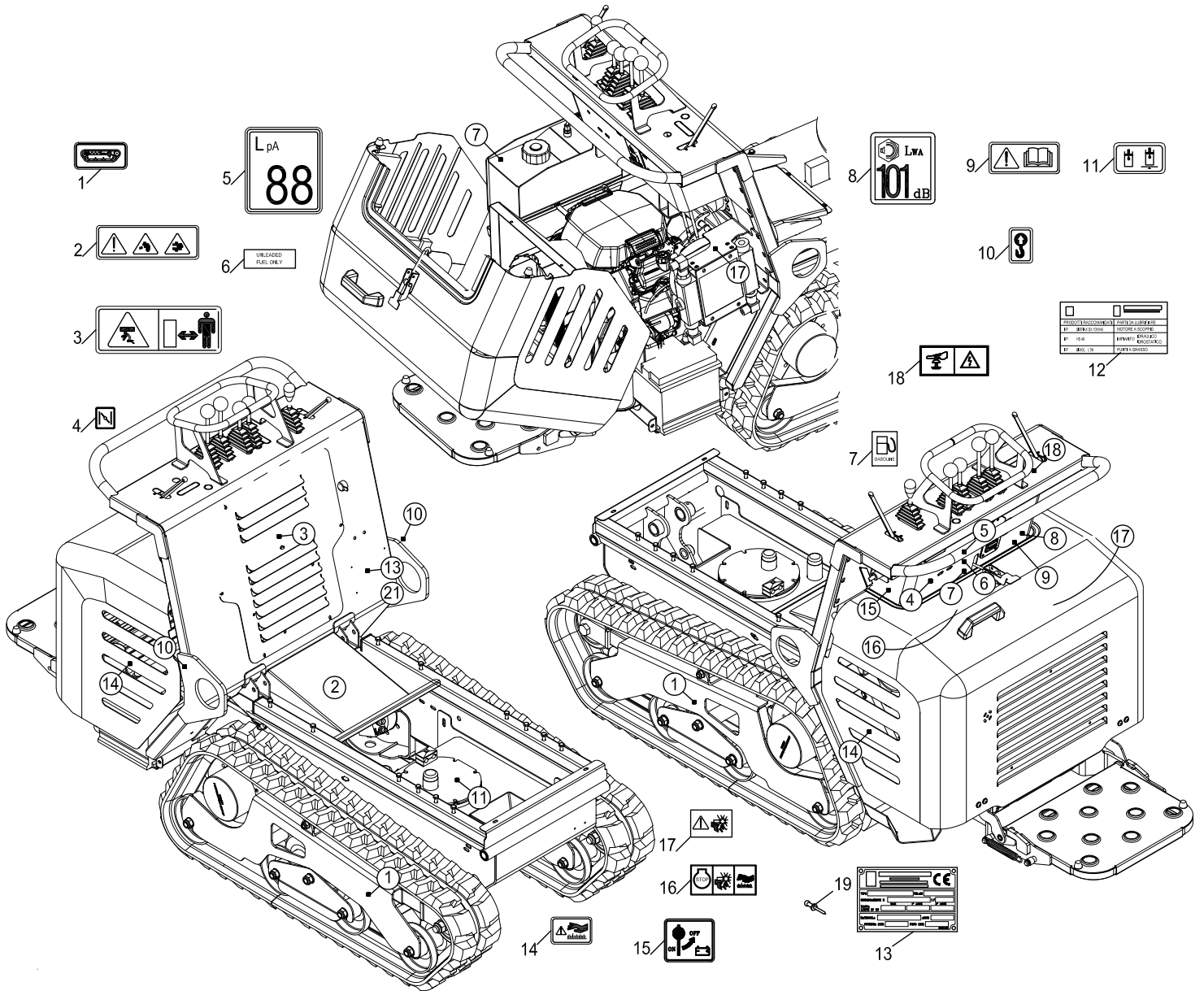
Hydraulic Hose Assembly Parts List

SECTION 1 PARTS

| Item | Part # | Description | Qty. |
|------|----------|---|------|
| 1 | 03122034 | HOSE, 59" 3/16DIA FEMALE 1/4" BSPP- FEMALE 1/8" BSPP | 1 |
| 2 | 03122031 | HOSE, 39.3" 3/16DIA FEMALE 1/4" BSPP- FEMALE 1/8" BSPP | 1 |
| 3 | 03111933 | HOSE, 17.7" 3/16DIA FEMALE 3/8" - FEMALE 3/8" 90° BSPP | 3 |
| 4 | 03121890 | HOSE, 51.1" 3/16DIA FEMALE 3/16" - FEMALE 1/8" 90° BSPP | 1 |
| 5 | 03121868 | HOSE, 31.5" 3/16DIA FEMALE 3/16" - FEMALE 1/8" 90° BSPP | 1 |
| 6 | 03111845 | HOSE, 13.7" 3/8DIA FEMALE 3/8" - FEMALE 3/8" 90° BSPP | 1 |
| 7 | 03121913 | HOSE, 70.8" 3/8DIA FEMALE 3/8" - FEMALE 3/8" 90° BSPP | 4 |
| 8 | 03130021 | HOSE, 23.6" 3/4DIA FEMALE 3/4" - FEMALE 3/4 90° BSPP | 2 |
| 9 | 03111963 | HOSE, 27.5" 3/8DIA FEMALE 3/8" - FEMALE 3/8" 90° BSPP | 1 |
| 10 | 03111959 | HOSE, 43.3" 3/8DIA FEMALE 3/8" - FEMALE 3/8" 90° BSPP | 1 |
| 11 | 03111918 | HOSE, 45.2" 1/2DIA FEMALE 1/2" - FEMALE 1/2" 90° BSPP | 1 |
| 12 | 03121880 | HOSE, 47.2" 3/16DIA FEMALE 1/8" - FEMALE 1/4" 90° BSPP | 1 |
| 13 | 03121890 | HOSE, 51.1" 3/16DIA FEMALE 3/16" - FEMALE 1/8" 90° BSPP | 1 |
| 14 | 03121865 | HOSE, 39.3" 3/16DIA FEMALE 3/16" - FEMALE 1/8" 90° BSPP | 1 |
| 15 | 03121863 | HOSE, 47.2" 3/16DIA FEMALE 3/16" - FEMALE 1/8" 90° BSPP | 1 |
| 16 | 03121925 | HOSE, 63" 3/16DIA FEMALE 1/8" BSPP - FEMALE 1/4" 90° BSPP | 1 |
| 17 | 03111846 | HOSE, 22.8" 3/8DIA FEMALE 3/8" - FEMALE 3/8" 90° BSPP | 2 |
| 18 | 03123200 | HOSE, 49.2" 3/8" FEMALE 3/8" 90° - FEMALE 3/8" 90° BSPP | 1 |

SECTION 1 PARTS

Decal Assembly Illustration



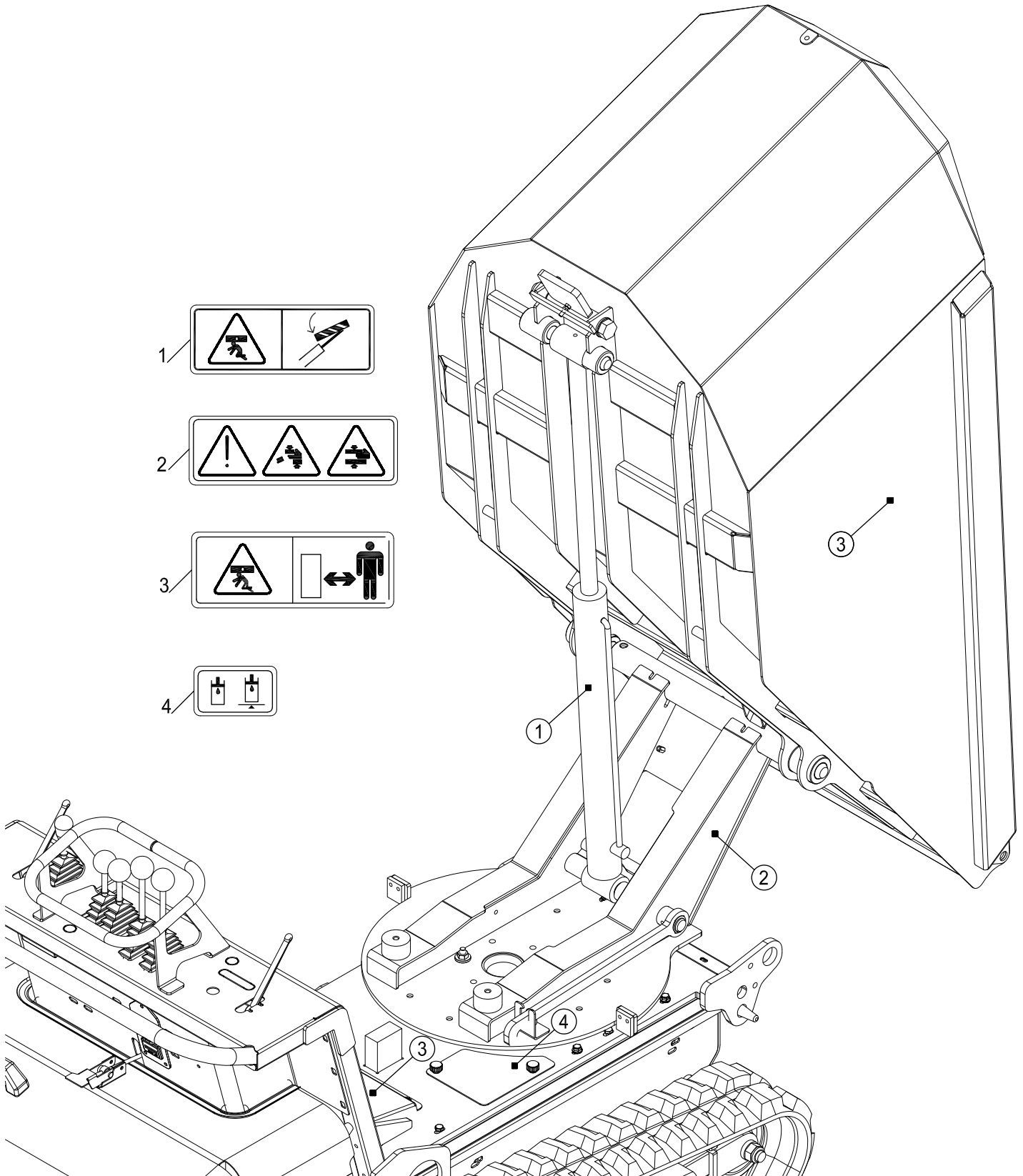
Decal Assembly Parts List

SECTION 1 PARTS

| Item | Part # | Description | Qty. |
|------|----------|---|------|
| 1 | 03666063 | DECAL, ADJUSTING VOLTAGE TRACK | 2 |
| 2 | 03660099 | DECAL, DANGER OF SHEARING | 2 |
| 3 | 03660098 | DECAL, DWELL IN ACTION | 2 |
| 4 | 03660252 | DECAL, STARTER | 1 |
| 5 | 03665029 | DECAL, LPA 88 | 1 |
| 6 | 03660177 | DECAL, UNLEADED GASOLINE | 1 |
| 7 | 03660230 | DECAL, GASOLINE | 1 |
| 8 | 03665022 | DECAL, LWA 101 | 1 |
| 9 | 03660170 | DECAL, REFER TO OPERATOR'S MANUAL | 1 |
| 10 | 03666024 | DECAL, LIFTING MACHINE | 2 |
| 11 | 03666066 | DECAL, HYDRAULIC | 1 |
| 12 | 03664406 | DECAL, LUBRICANT | 1 |
| 13 | 03664801 | SERIAL NUMBER LABEL | 1 |
| 14 | 03660192 | DECAL, BURN HAZARD | 1 |
| 15 | 03660160 | DECAL, ARM-DISARM BATTERY | 1 |
| 16 | 03666312 | DECAL, STOP ENGINE BEFORE OPENING THE HOOD | 1 |
| 17 | 03660169 | DECAL, DANGER ROTATING FAN | 1 |
| 18 | 03664970 | DECAL, PRESS THE BUTTON EMERGENCY BEFORE OPENING THE HOOD | 1 |
| 19 | 03449900 | RIVET | 4 |

SECTION 1 PARTS

Decal Assembly Illustration (cont'd)



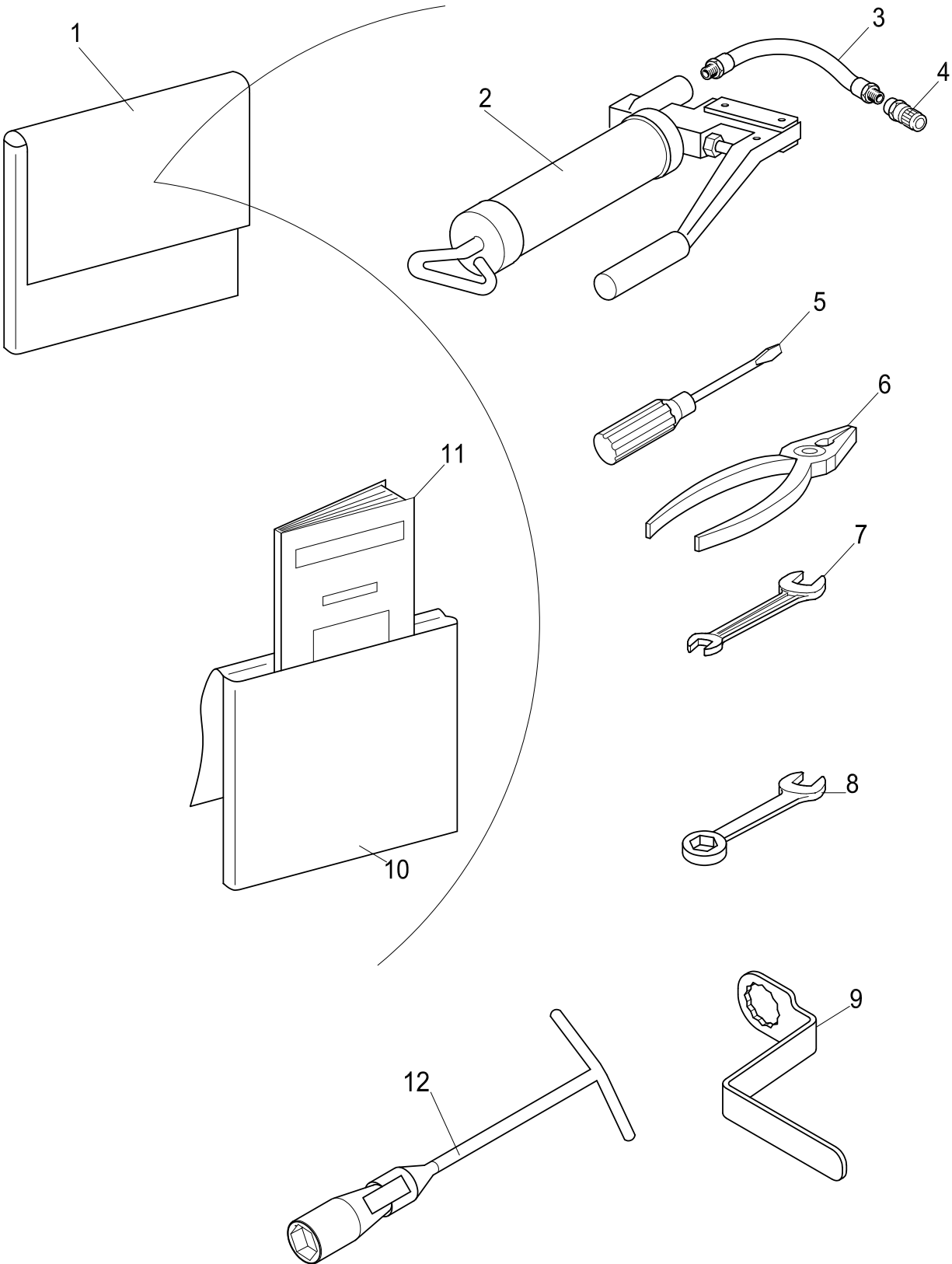
Decal Assembly Parts List (cont'd)

SECTION 1 PARTS

| Item | Part # | Description | Qty. |
|------|----------|-----------------------------|------|
| 1 | 03660062 | DECAL, ENTERING FIXED POINT | 1 |
| 2 | 03660099 | DECAL, DANGER OF SHEARING | 2 |
| 3 | 03660098 | DECAL, DWELL IN ACTION | 1 |
| 4 | 03666066 | DECAL, HYDRAULIC | 1 |

SECTION 1 PARTS

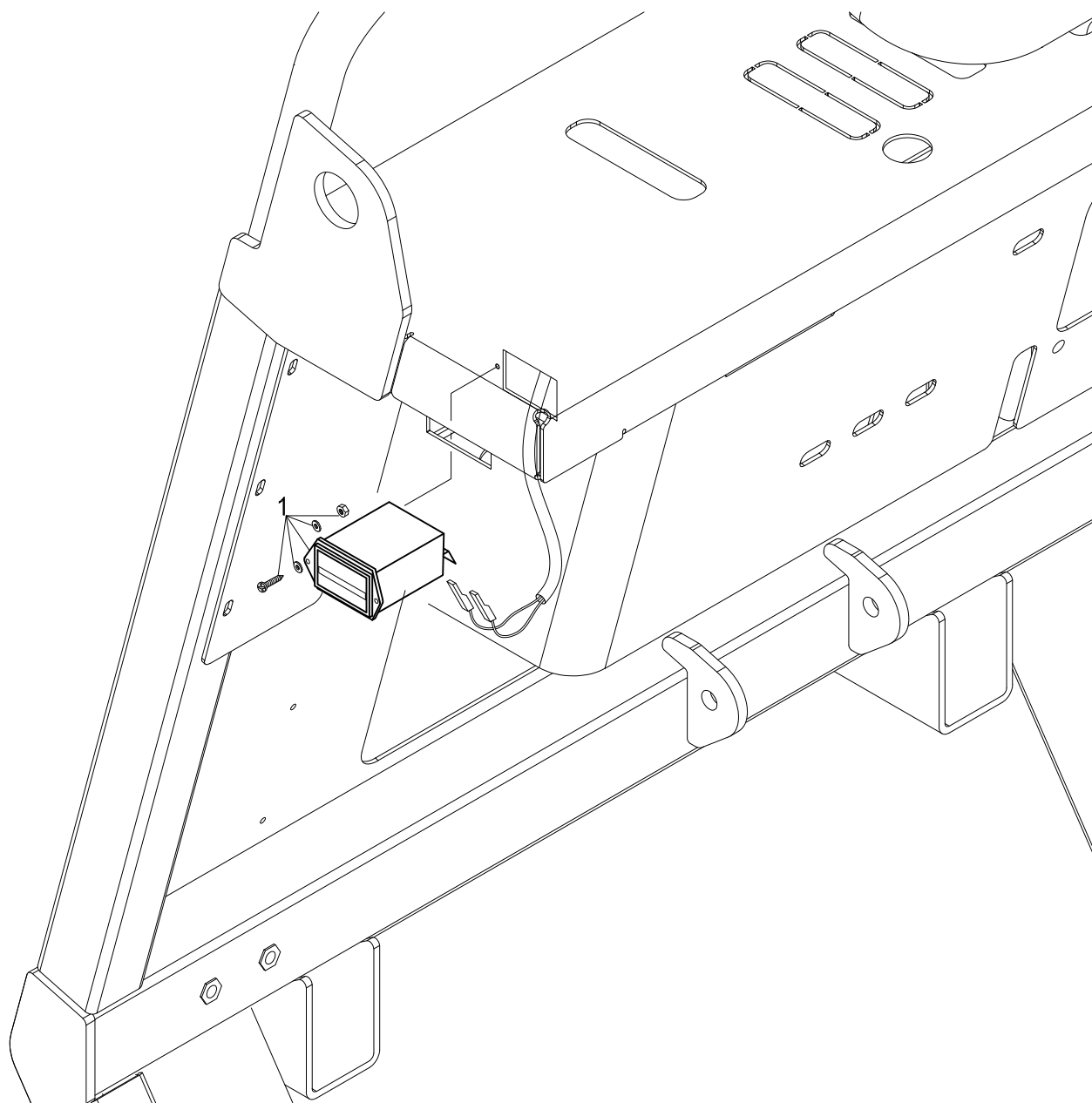
Maintenance Tools Illustration



| Item | Part # | Description | Qty. |
|-------------|---------------|--------------------|-------------|
| 1 | 069928 | HOLDER | 1 |
| 2 | 03519600 | GREASING PUMP | 1 |
| 3 | 03519800 | PIPE | 1 |
| 4 | 03519900 | HEAD | 1 |
| 5 | 03572000 | SCREWDRIVER | 1 |
| 6 | 03572300 | NIPPER | 1 |
| 7 | 069929 | KEY 10-13 mm | 1 |
| 8 | 069930 | KEY | 1 |
| 9 | 069931 | KEY | 1 |
| 10 | 069932 | HOLDER | 1 |
| 11 | 065300 | PARTS CATALOG | 1 |
| 12 | 069933 | KEY | 1 |

SECTION 1 PARTS

Hourmeter Illustration



Hourmeter Parts List

SECTION 1 PARTS

| Item | Part # | Description | Qty. |
|------|--------|-------------|------|
| 1 | 065625 | HOURMETER | 1 |

Bucket Hydraulic Cylinder Assembly Parts List

SECTION 1 PARTS

| Item | Part # | Description | Qty. |
|------|----------|---|------|
| 1 | 068703 | HOSE, 106.2" 1/4DIA OCCH - FEMALE 1/4" BSPP | 2 |
| 2 | 066015 | WASHER | 4 |
| 3 | 03150006 | SCREW | 2 |
| 4 | 03581403 | BALL | 1 |
| 5 | 065266 | PROTECTION | 1 |
| 6 | 03220902 | FSTN, SCREW M6x40 8.8 | 2 |
| 7 | 13572414 | COLLAR | 2 |
| 8 | 065637 | LEVER | 1 |

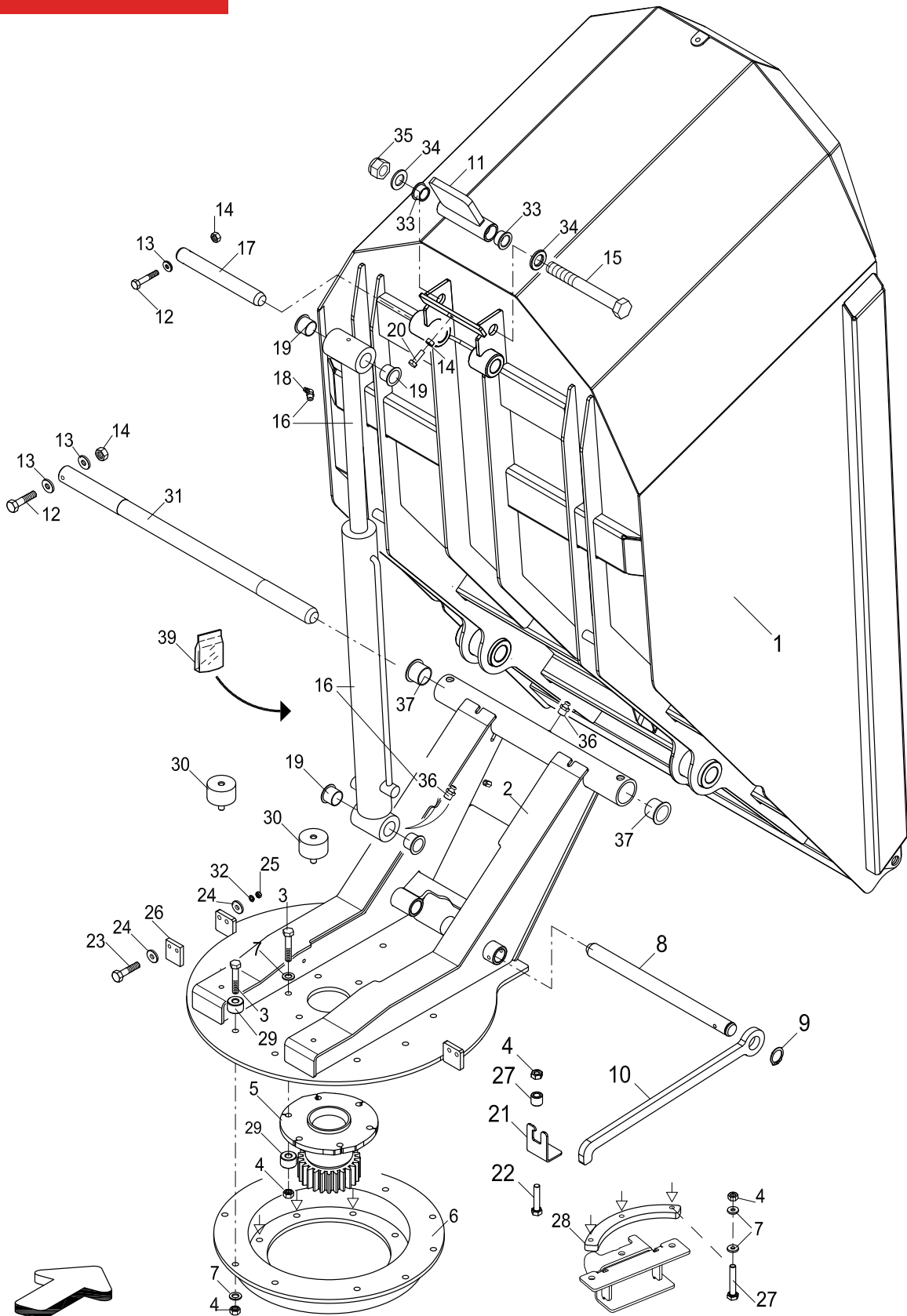
Swivel Hydraulic Cylinder Assembly Parts List

SECTION 1 PARTS

| Item | Part # | Description | Qty. |
|------|----------|---|------|
| 1 | 03121440 | HOSE, 82.6" 1/4DIA FEMALE 1/4" - FEMALE 1/4" 90° BSPP | 2 |
| 2 | 066015 | WASHER | 3 |
| 3 | 066016 | JUNCTION | 1 |
| 4 | 065635 | LEVER | 1 |
| 5 | 069713 | HANDGRIP | 1 |
| 6 | 03160902 | WASHER | 5 |
| 7 | 065636 | VALVE | 1 |
| 8 | 066017 | JUNCTION | 3 |
| 9 | 03150600 | SCREW | 1 |
| 10 | 25160560 | HOSE, RIGID FROM CYLINDER VALVE | 1 |
| 11 | 03150006 | SCREW | 1 |
| 12 | 065266 | PROTECTION | 1 |
| 13 | 066012 | KIT VALVE | 1 |

SECTION 1 PARTS

Trilateral Tipping Bucket Assembly Illustration



Trilateral Tipping Bucket Assembly Parts List

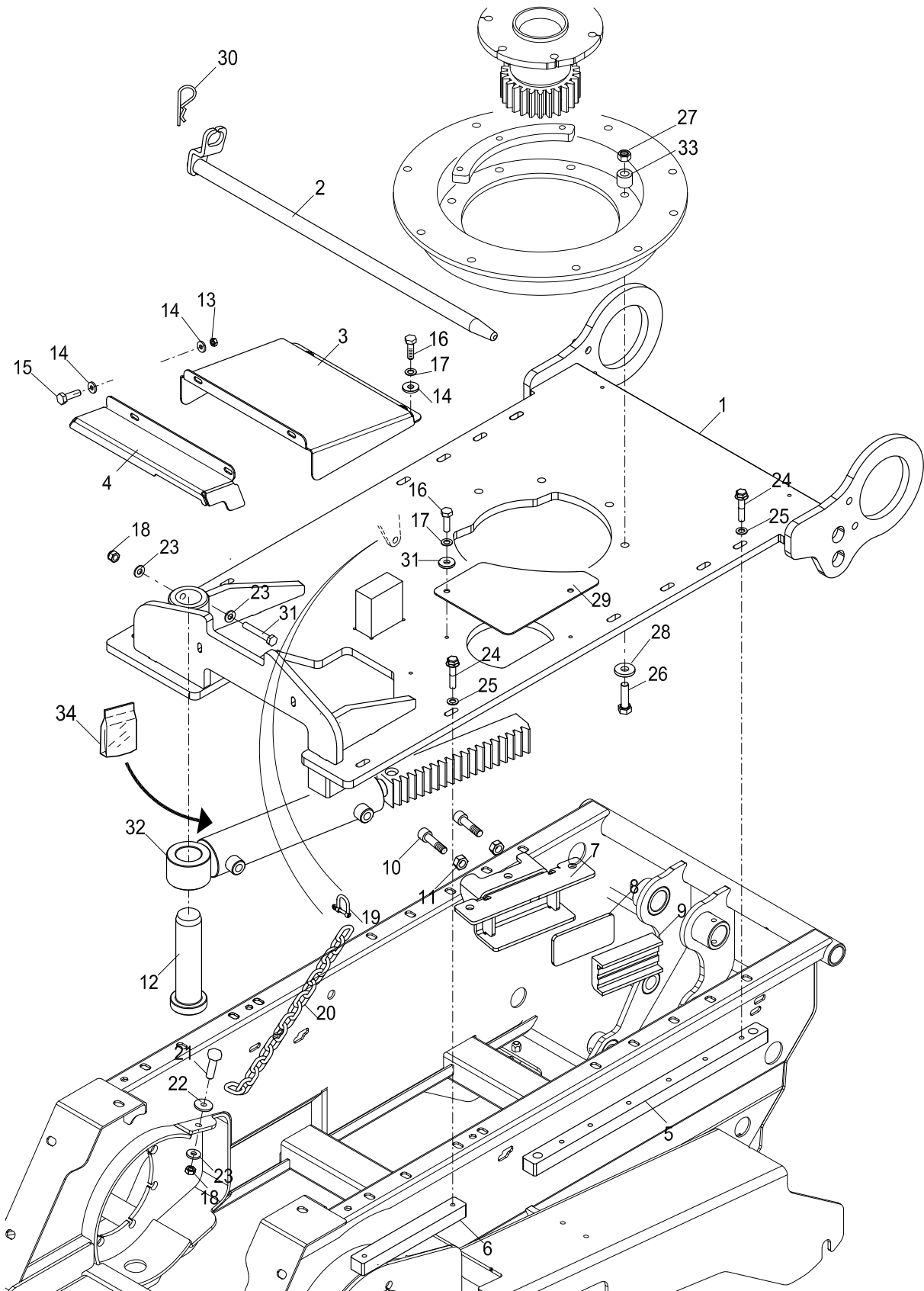
SECTION 1 PARTS

| Item | Part # | Description | Qty. |
|------|----------|-------------------------|------|
| 1 | 066348 | METAL BUCKET | 1 |
| | 064941 | POLY BUCKET | 1 |
| 2 | 55020770 | EVOLUTION FRAME | 1 |
| 3 | 03241000 | FSTN, SCREW M10x55 10.9 | 16 |
| 4 | 03366001 | FSTN, NUT M10 | 1 |
| 5 | 065271 | PINION | 1 |
| 6 | 45030115 | BEARING DISK | 1 |
| 7 | 03386300 | WASHER, 10,5x28x4 | 12 |
| 8 | 065626 | PIN | 1 |
| 9 | 03429700 | STOP RING | 1 |
| 10 | 062437 | PIN 400L | 1 |
| 11 | 068658 | PIN | 1 |
| 12 | 068665 | FSTN, SCREW M6x60 8.8 | 1 |
| 13 | 068666 | WASHER | 2 |
| 14 | 068667 | NUT | 4 |
| 15 | 068659 | SCREW | 1 |
| 16 | 065272 | CYLINDER | 1 |
| 17 | 065627 | PIN | 1 |
| 18 | 03511120 | LUBRICATOR | 1 |
| 19 | 068663 | BUSH | 4 |
| 20 | 03220700 | SCREW | 1 |
| 21 | 10013191 | PIN | 1 |
| 22 | 03240901 | SCREW | 1 |
| 23 | 03220800 | SCREW | 4 |
| 24 | 069938 | WASHER | 8 |
| 25 | 068667 | NUT | 4 |
| 26 | 45250025 | RABBET | 2 |
| 27 | 069940 | SPACER | 1 |
| 28 | 55020771 | FLANGE | 1 |
| 29 | 069940 | SPACER | 19 |
| 30 | 065628 | VIBRATION-DAMPING | 2 |
| 31 | 068669 | PIN | 1 |
| 32 | 069938 | WASHER | 4 |
| 33 | 068661 | BUSH | 2 |
| 34 | 068662 | WASHER | 2 |
| 35 | 068660 | NUT | 1 |
| 36 | 03511100 | LUBRICATOR | 1 |
| 37 | 065629 | BUSH | 2 |
| 38 | 069939 | WASHER | 2 |
| 39 | 065630 | KITSEALS | 1 |

Note: 068670 metal bucket discontinued in 2019, use 066348 instead

SECTION 1 PARTS

Trilateral Tipping Bucket Assembly Illustration (cont'd)



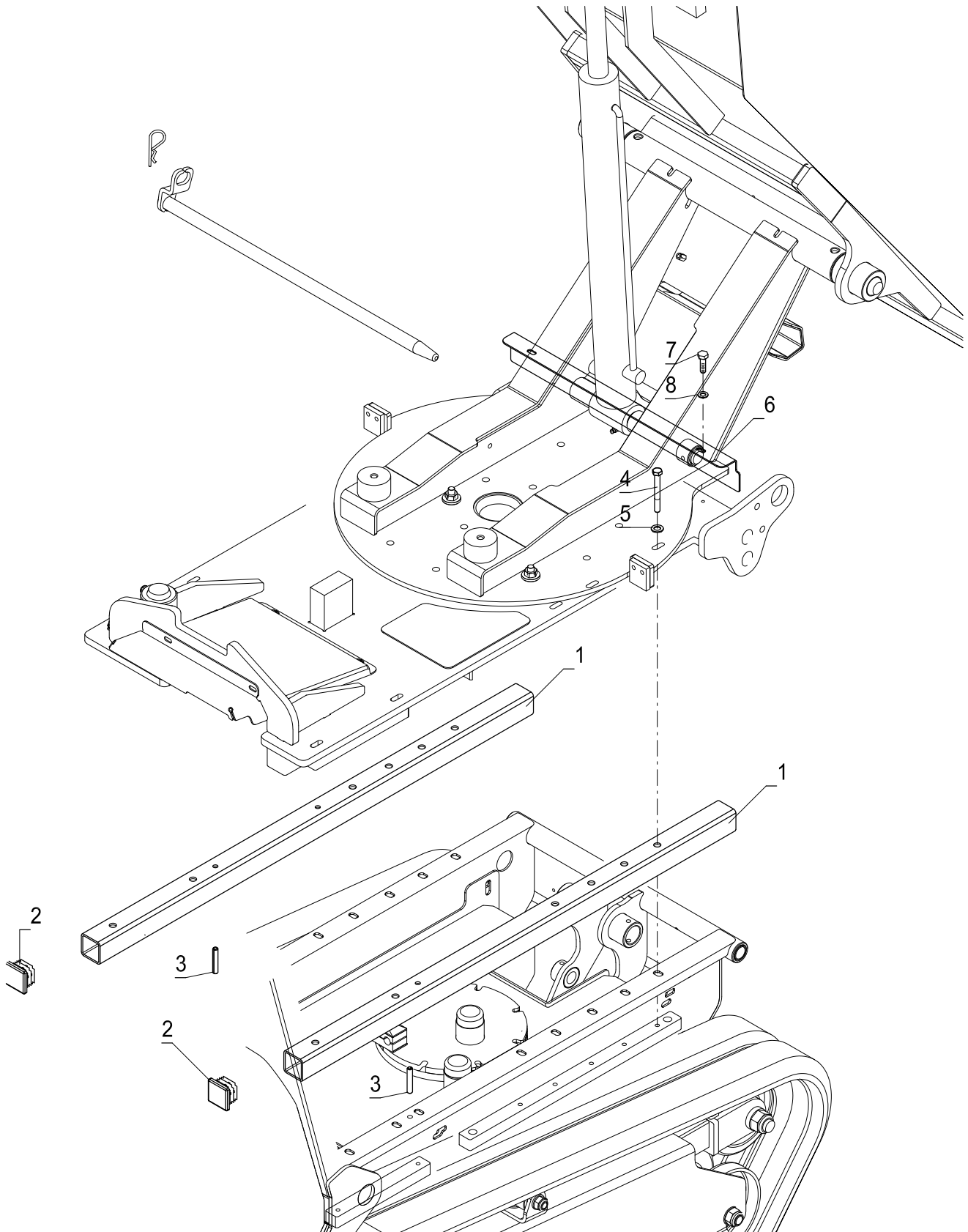
Trilateral Tipping Bucket Assembly Parts List (cont'd)

SECTION 1 PARTS

| Item | Part # | Description | Qty. |
|------|----------|-------------------------|------|
| 1 | 10013194 | STEADY FRAME | 1 |
| 2 | 065631 | PIN | 1 |
| 3 | 30014830 | CRANKCASE | 1 |
| 4 | 30014831 | CRANKCASE | 1 |
| 5 | 55081584 | PLATE | 2 |
| 6 | 55081657 | PLATE | 2 |
| 7 | 45155438 | SUPPORT | 1 |
| 8 | 45155439 | PLATE | 1 |
| 9 | 45300076 | GUIDE BLOCK | 1 |
| 10 | 03245101 | FSTN, SCREW M10x40 8.8 | 2 |
| 11 | 03366001 | FSTN, NUT M10 | 2 |
| 12 | 065632 | PIN | 1 |
| 13 | 03364004 | FSTN, NUT M6 | 2 |
| 14 | 03383300 | WASHER, 6,4x18x1 | 6 |
| 15 | 03220800 | FSTN, SCREW M6x30 8.8 | 2 |
| 16 | 03220401 | FSTN, SCREW M6x16 8.8 | 4 |
| 17 | 069939 | WASHER, 6,4x18x1 | 4 |
| 18 | 03365100 | FSTN, NUT M8 | 2 |
| 19 | 03350007 | CONNECTION | 1 |
| 20 | 065633 | CHAIN | 1 |
| 21 | 070065 | FSTN, SCREW M8x30 8.8 | 1 |
| 22 | 068655 | WASHER, 8,4x24x2 | 1 |
| 23 | 03385201 | WASHER, 8,4x17x1,6 | 3 |
| 24 | 03230511 | FSTN, SCREW M8x40 8.8 | 12 |
| 25 | 066014 | WASHER, 8.4x16.6x2.29 | 12 |
| 26 | 03241000 | FSTN, SCREW M10x55 10.9 | 5 |
| 27 | 03366300 | FSTN, NUT M10 | 5 |
| 28 | 03386201 | WASHER, 10,5x21x2 | 5 |
| 29 | 10012918 | DOOR | 1 |
| 30 | 03739800 | SPLIT PIN | 1 |
| 31 | 066013 | FSTN, SCREW M8x70 8.8 | 1 |
| 32 | 065273 | CYLINDER | 1 |
| 33 | 069940 | SPACER | 5 |
| 34 | 065634 | KITSEALS | 1 |

SECTION 1 PARTS

Trilateral Tipping Bucket Assembly Illustration (cont'd)



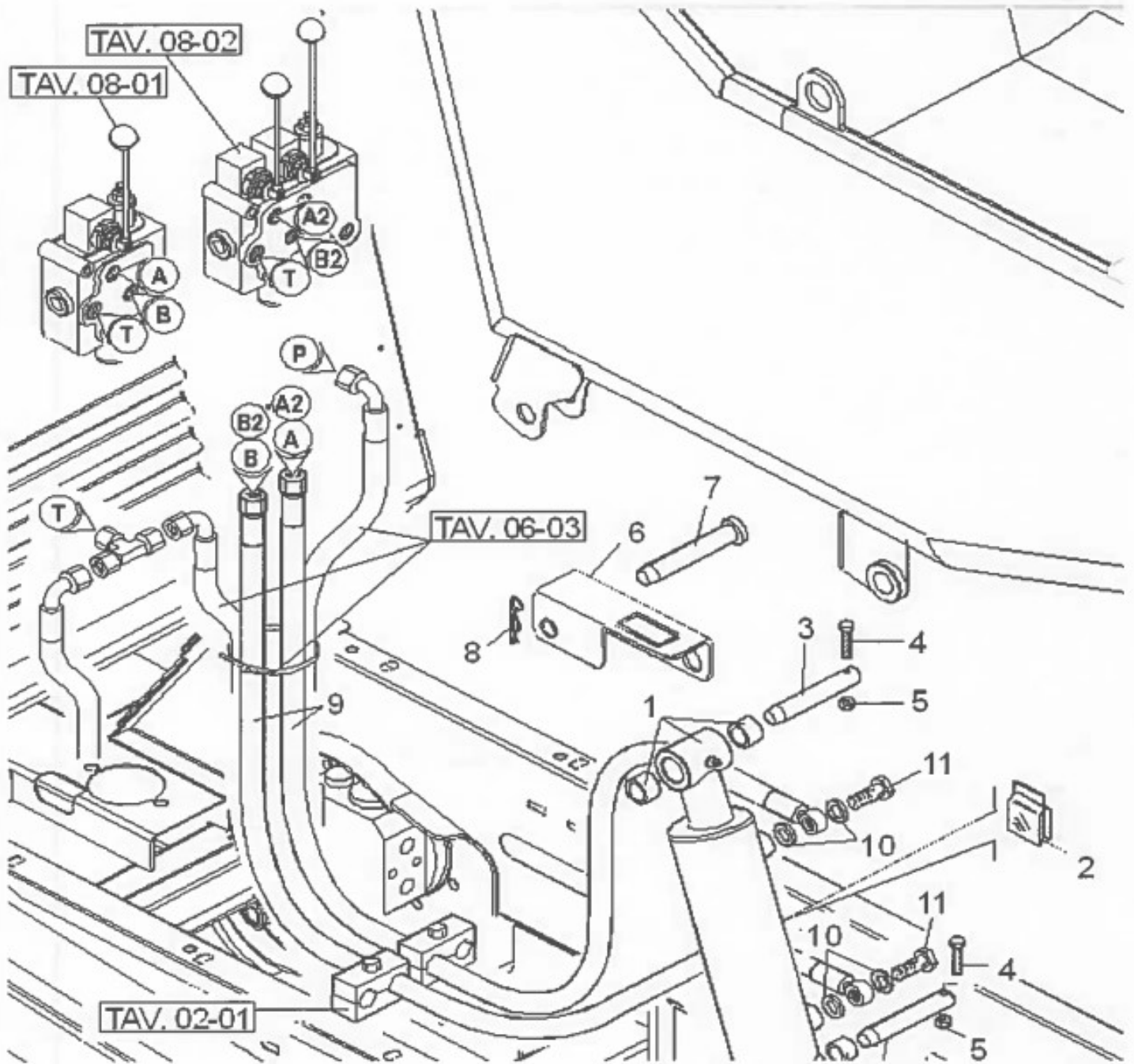
Trilateral Tipping Bucket Assembly Parts List (cont'd)

SECTION 1 PARTS

| Item | Part # | Description | Qty. |
|------|----------|-----------------------|------|
| 1 | 10013152 | SUPPORT | 2 |
| 2 | 13480217 | PLUG | 2 |
| 3 | 03400602 | PIN | 2 |
| 4 | 066013 | FSTN, SCREW M8x70 8.8 | 12 |
| 5 | 066014 | WASHER, 8.4x16.6x2.29 | 12 |
| 6 | 10013151 | CRANKCASE | 1 |
| 7 | 03220401 | FSTN, SCREW M6x16 8.8 | 2 |
| 8 | 068666 | WASHER, 6,4x12,5x1,6 | 2 |

SECTION 1 PARTS

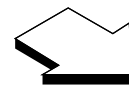
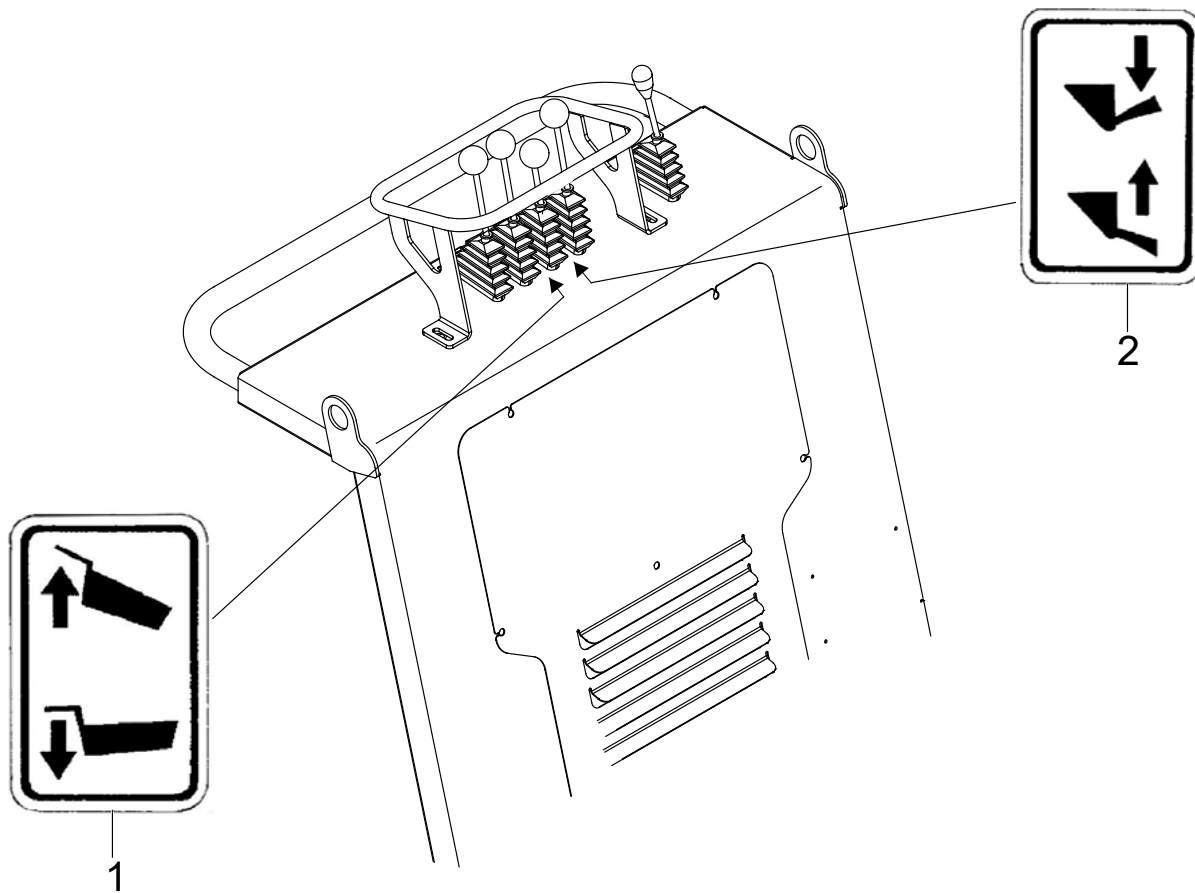
Hydraulic Tank Connections Illustration



| ITEM | PART NO. | DESCRIPTION | QTY |
|------|----------|-------------|-----|
| 1 | 25250480 | CYLINDER | 1 |
| 2 | 065639 | KIT- SEALS | 1 |
| 3 | 45070934 | PIN | 2 |
| 4 | 03221000 | SCREW | 2 |
| 5 | 068667 | NUT | 2 |
| 6 | 065640 | ROD | 1 |
| 7 | 99150014 | LATCH | 1 |
| 8 | 03739800 | SPLIT PIN | 1 |
| 9 | 03112033 | PIPE | 2 |
| 10 | 03168500 | GASKET | 4 |
| 11 | 03150006 | SCREW | 2 |

SECTION 1
PARTS

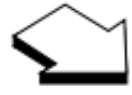
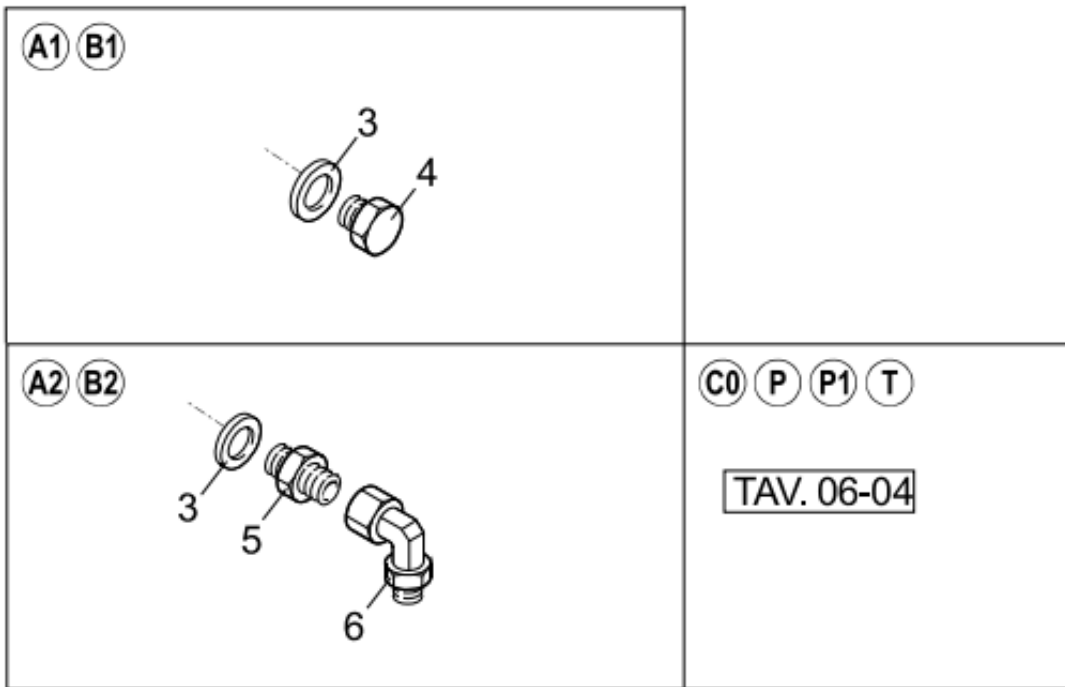
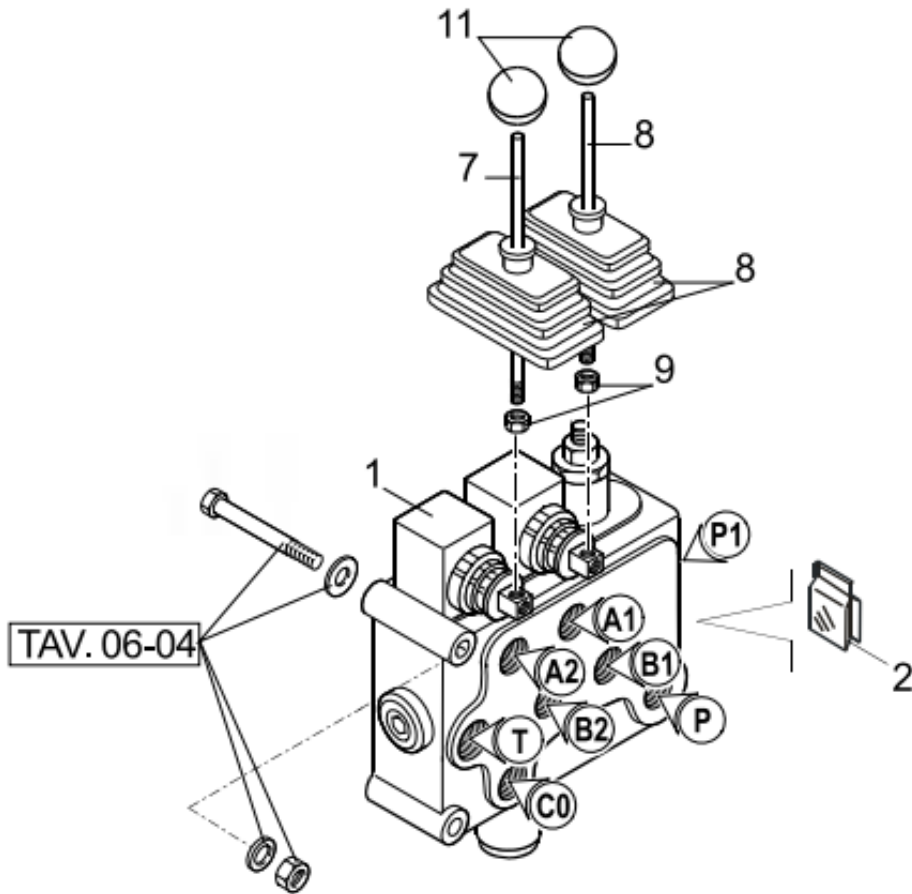
Control Plates Illustration



| ITEM | PART NO. | DESCRIPTION | QTY |
|-------------|-----------------|--------------------|------------|
| 1 | 069934 | PLATE | 1 |
| 2 | 069935 | PLATE | 1 |

SECTION 1 PARTS

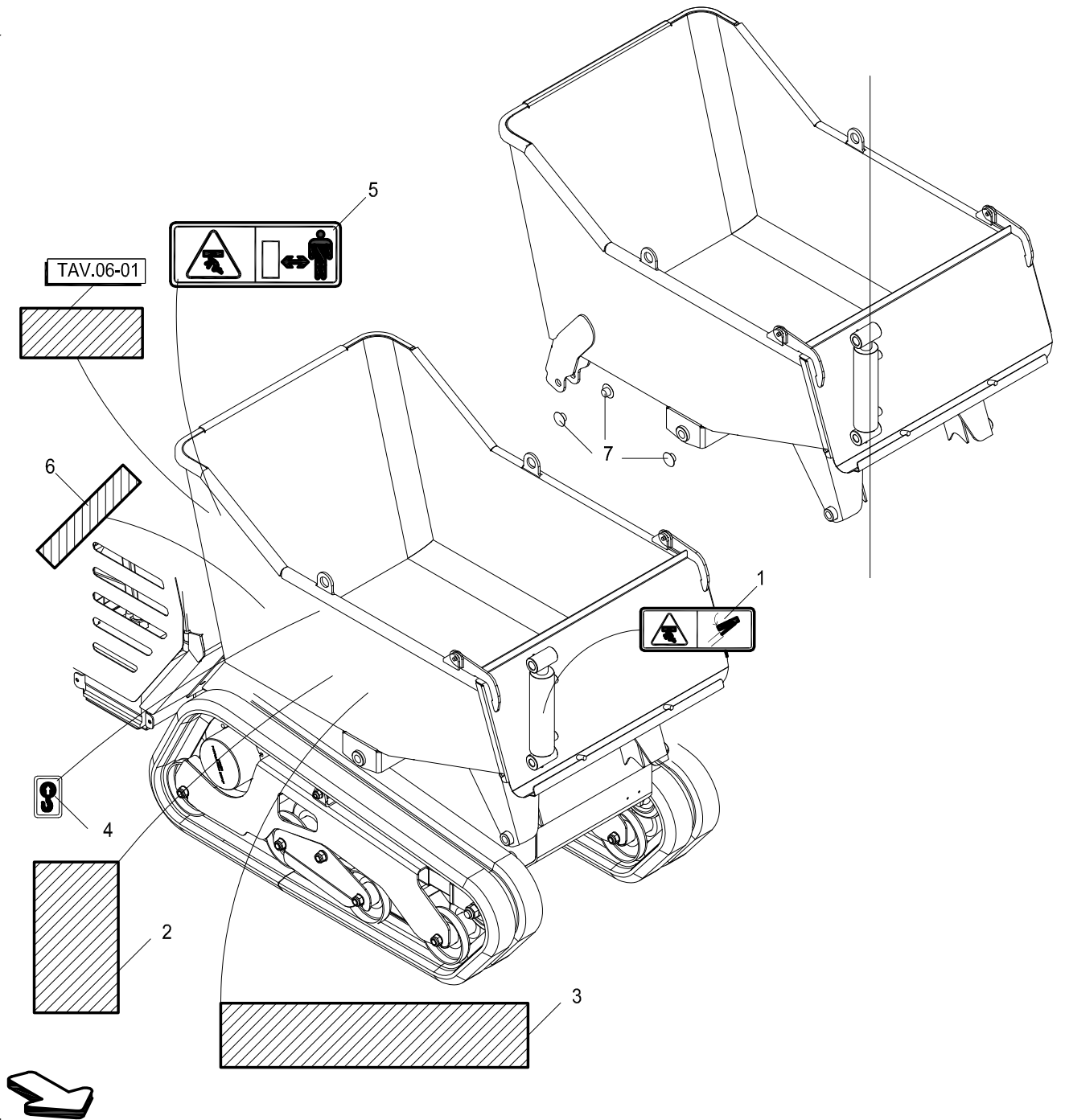
Control Levers Illustration



| ITEM | PART NO. | DESCRIPTION | QTY |
|-------------|-----------------|--------------------|------------|
| 1 | 25300372 | DISTRIBUTOR | 1 |
| 2 | 065270 | KIT SEALS | 1 |
| 3 | 03168500 | GASKET | 4 |
| 4 | 13166010 | PLUG | 2 |
| 5 | 13152700 | CONNECTOR | 2 |
| 6 | 03605800 | ELBOW | 2 |
| 7 | 23150232 | LEVER | 1 |
| 8 | 065635 | LEVER | 1 |
| 9 | 03366001 | NUT | 2 |
| 10 | 065266 | PROTECTION | 2 |
| 11 | 069713 | HANDGRIP | 2 |

SECTION 1 PARTS

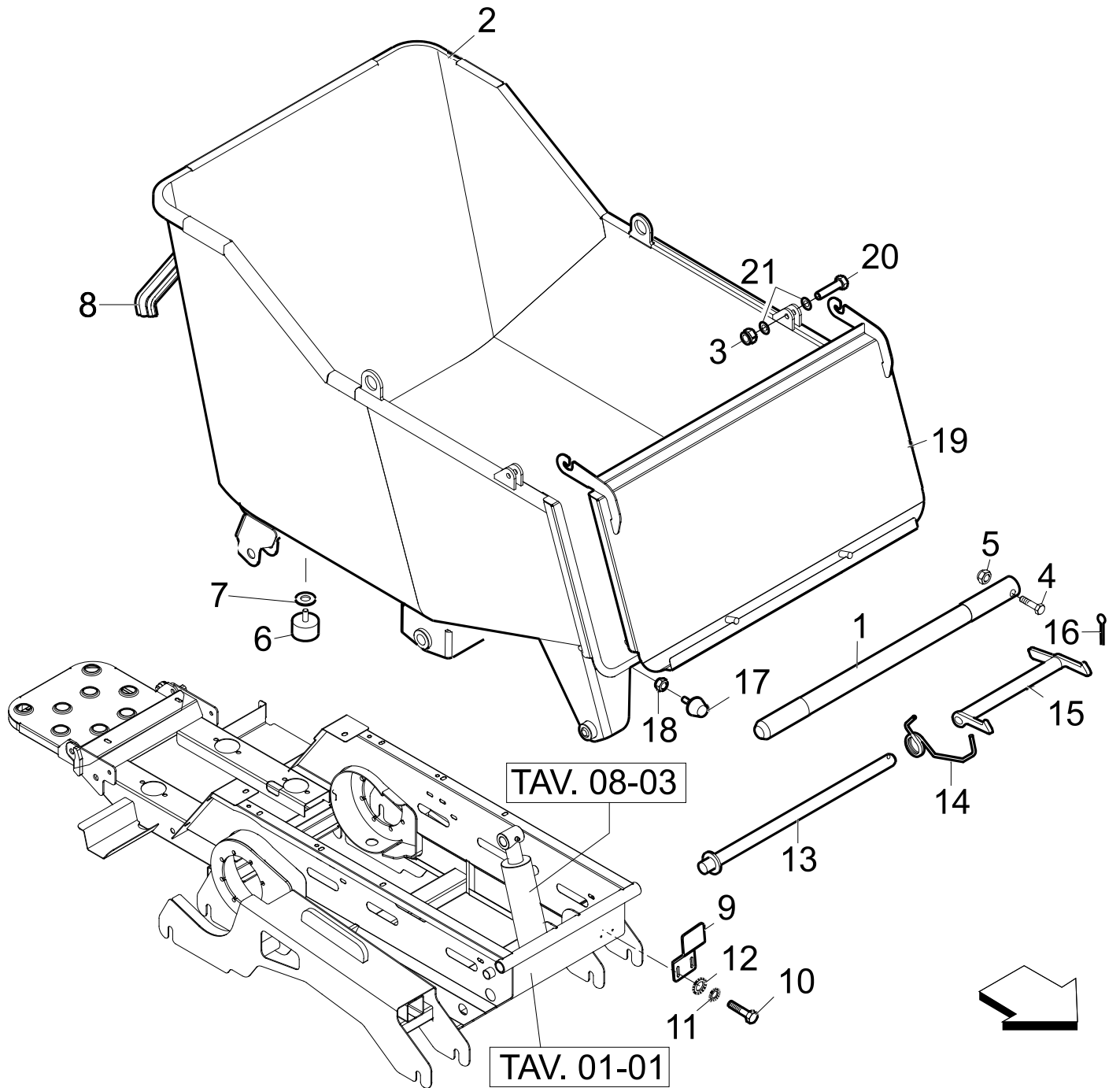
Manufacturer Plates Illustration



| ITEM | PART NO. | DESCRIPTION | QTY |
|-------------|-----------------|----------------------|------------|
| 1 | 03660062 | PLATE | 1 |
| 2 | 03660113 | MANUFACTURER'S PLATE | 2 |
| 3 | 03660123 | MANUFACTURER'S PLATE | 2 |
| 4 | 03666024 | PLATE | 2 |
| 5 | 03660098 | PLATE | 2 |
| 6 | 03664875 | MANUFACTURER'S PLATE | 2 |
| 7 | 13480602 | PLUG | 8 |

SECTION 1 PARTS

AT12L Bucket Assembly Illustration



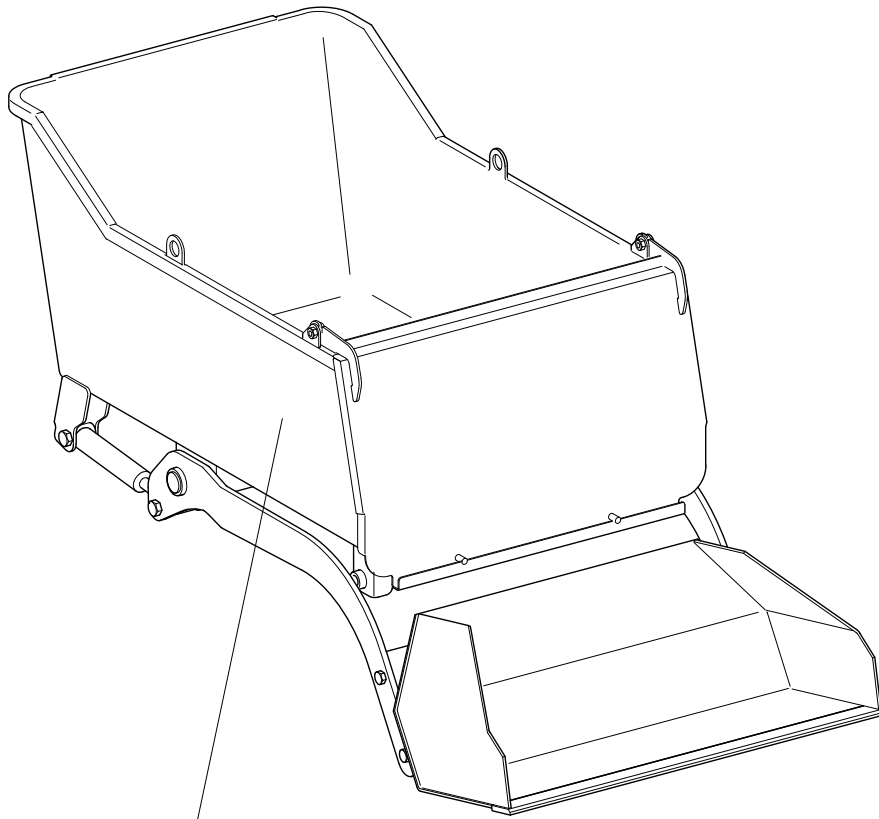
AT12L Bucket Assembly Parts List

SECTION 1 PARTS

| ITEM | PART NO. | DESCRIPTION | QTY |
|------|----------|-----------------------------|-----|
| 1 | 065643 | PIN | 1 |
| 2 | 10012360 | SKIP FOR EARTH AND CONCRETE | 1 |
| 3 | 03366300 | NUT | 2 |
| 4 | 03221000 | SCREW | 1 |
| 5 | 068667 | NUT | 1 |
| 6 | 065628 | VIBRATION-DAMPING | 2 |
| 7 | 91470151 | WASHER | 2 |
| 8 | 30322086 | GASKET | 1 |
| 9 | 23160015 | RABBET | 1 |
| 10 | 03220401 | SCREW | 2 |
| 11 | 069939 | WASHER | 2 |
| 12 | 069938 | WASHER | 2 |
| 13 | 065645 | PIN | 1 |
| 14 | 03735002 | SPRING | 1 |
| 15 | 065646 | COUPLING | 1 |
| 16 | 03433400 | SPLIT PIN | 1 |
| 17 | 065583 | VIBRATION-DAMPING | 2 |
| 18 | 03364001 | NUT | 2 |
| 19 | 068657 | SMALL DOOR | 1 |
| 20 | 03240701 | SCREW | 2 |
| 21 | 03386201 | WASHER | 4 |

SECTION 1 PARTS

Bucket Plate Illustration



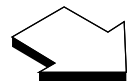
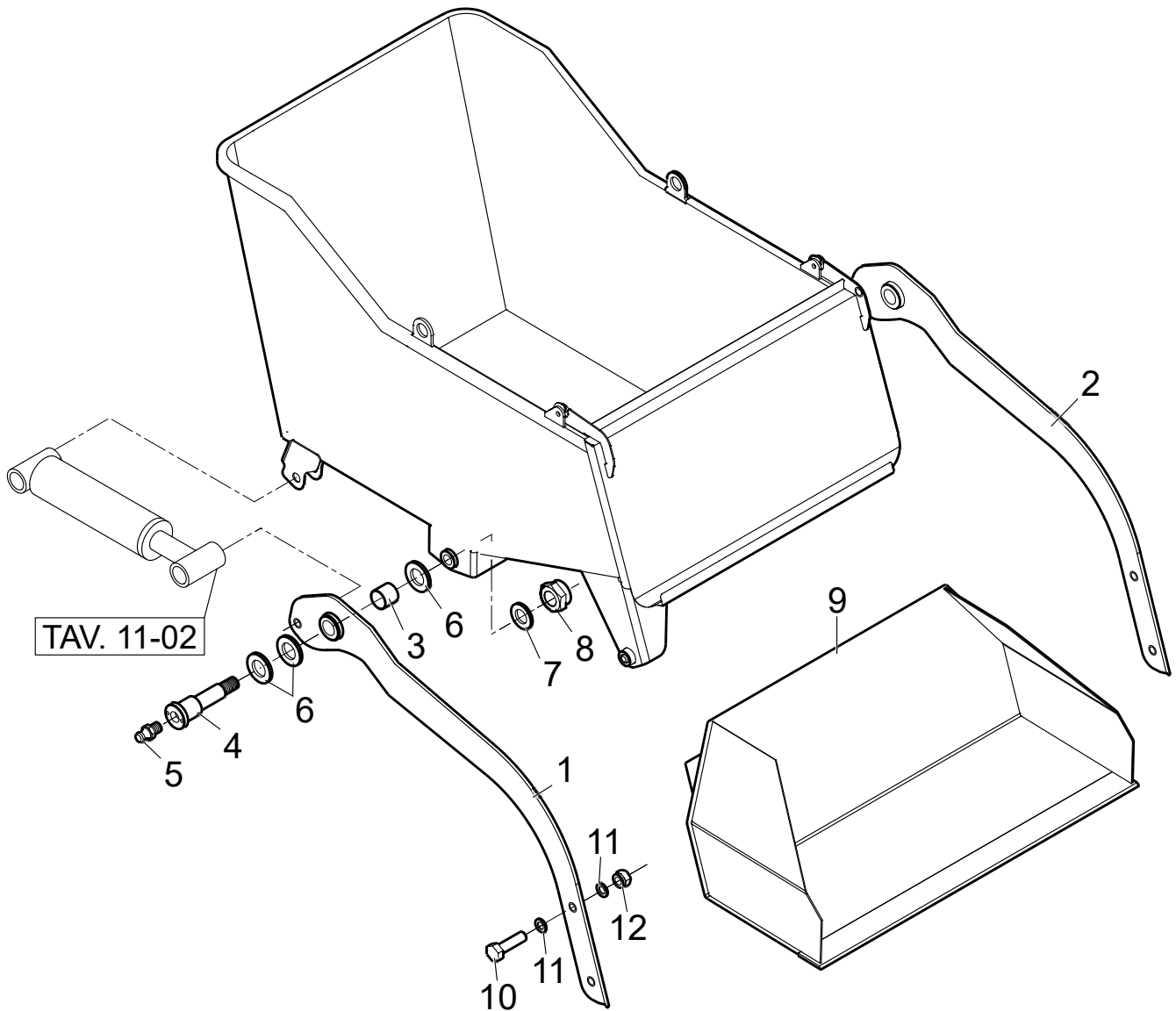
1

06440005

| ITEM | PART NO. | DESCRIPTION | QTY |
|-------------|-----------------|--------------------|------------|
| 1 | 03660099 | PLATE | 2 |

SECTION 1 PARTS

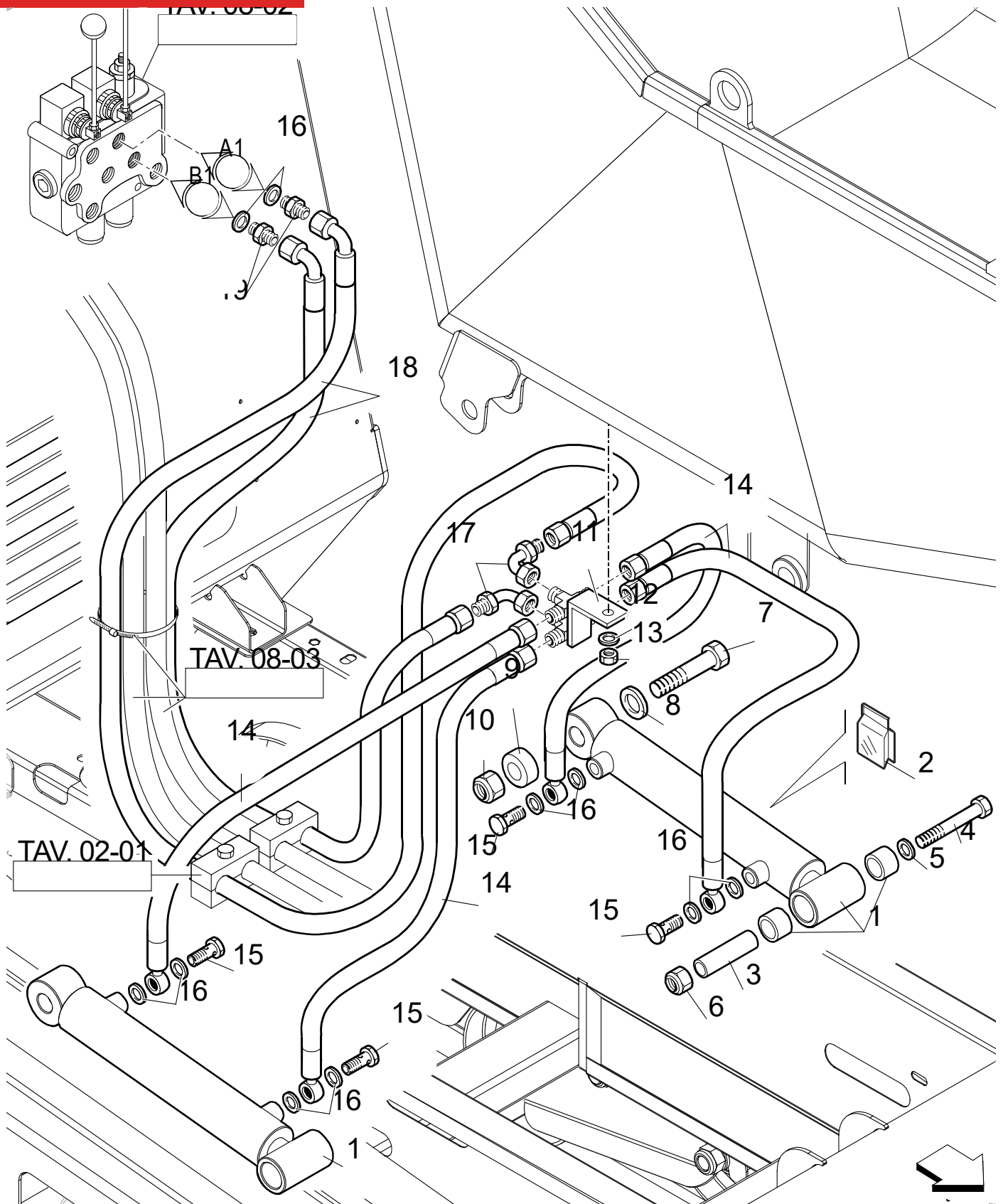
AT12L Bucket Chassis Illustration



| ITEM | PART NO. | DESCRIPTION | QTY |
|-------------|-----------------|--------------------|------------|
| 1 | 68646 | LIFTING CHASSIS | 1 |
| 2 | 68647 | LIFTING CHASSIS | 1 |
| 3 | 68647 | BUSH | 2 |
| 4 | 065647 | PIN | 2 |
| 5 | 068649 | LUBRICATOR | 2 |
| 6 | 068650 | BEARING RING | 6 |
| 7 | 068651 | WASHER | 2 |
| 8 | 068652 | NUT | 2 |
| 9 | 068653 | SKIP | 1 |
| 10 | 068654 | SCREW | 4 |
| 11 | 068655 | WASHER | 8 |
| 12 | 068656 | NUT | 4 |

SECTION 1 PARTS

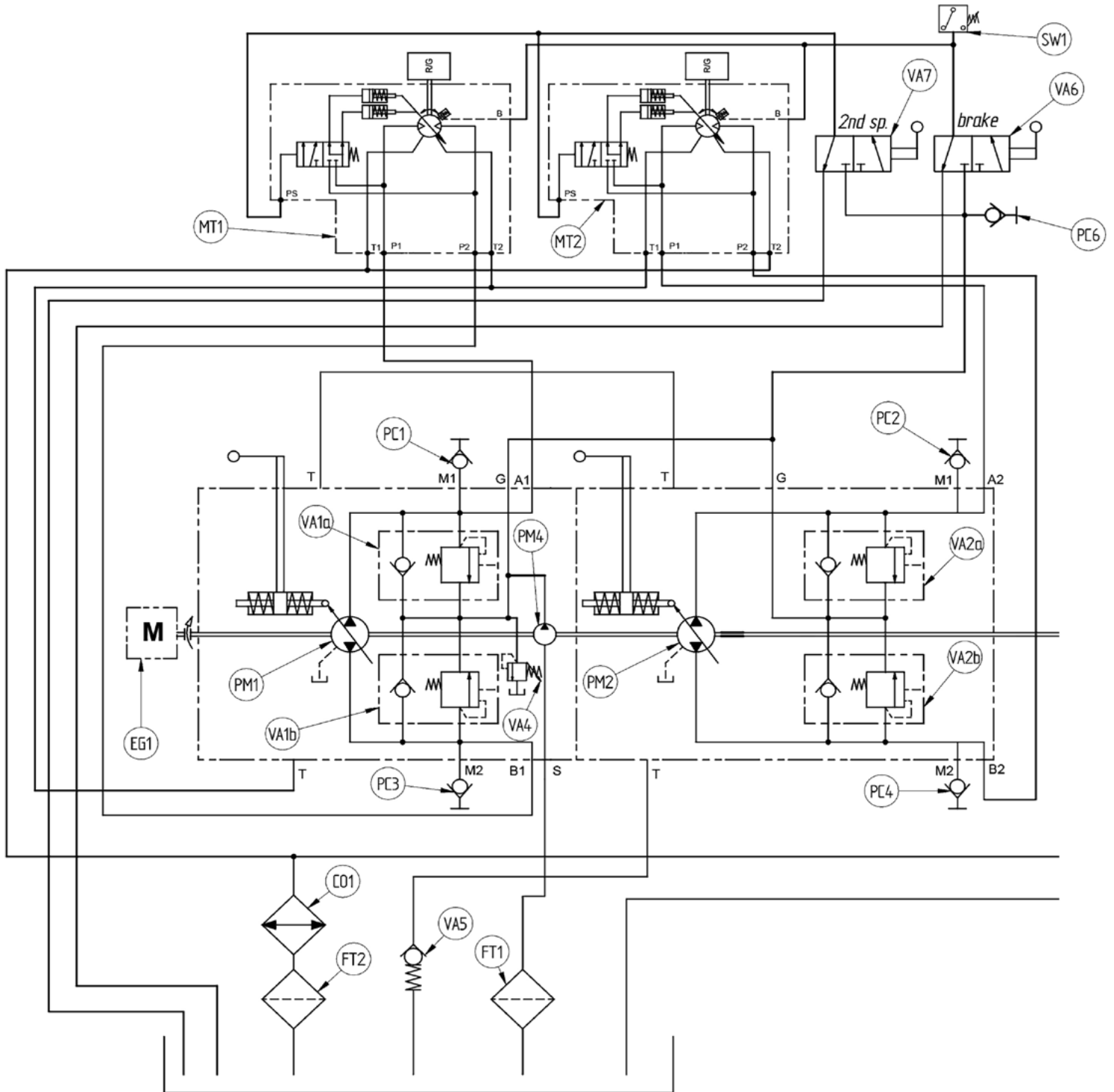
AT12L Hydraulic Tank Connections Illustration



| ITEM | PART NO. | DESCRIPTION | QTY |
|------|----------|-------------|-----|
| 1 | 065642 | CYLINDER | 2 |
| 2 | 065641 | KIT- SEALS | 2 |
| 3 | 45020147 | SPACER | 2 |
| 4 | 03272200 | SCREW | 2 |
| 5 | 03388910 | WASHER | 2 |
| 6 | 03369110 | NUT | 2 |
| 7 | 45070939 | PIN | 2 |
| 8 | 03391000 | WASHER | 2 |
| 9 | 03391050 | WASHER | 2 |
| 10 | 073502 | NUT | 2 |
| 11 | 25200548 | JUNCTION | 1 |
| 12 | 03385201 | WASHER | 1 |
| 13 | 03365100 | NUT | 1 |
| 14 | 03122000 | PIPE | 4 |
| 15 | 03150006 | SCREW | 4 |
| 16 | 03168500 | GASKET | 10 |
| 17 | 03605800 | ELBOW | 2 |
| 18 | 03111973 | PIPE | 2 |
| 19 | 13152700 | CONNECTOR | 2 |

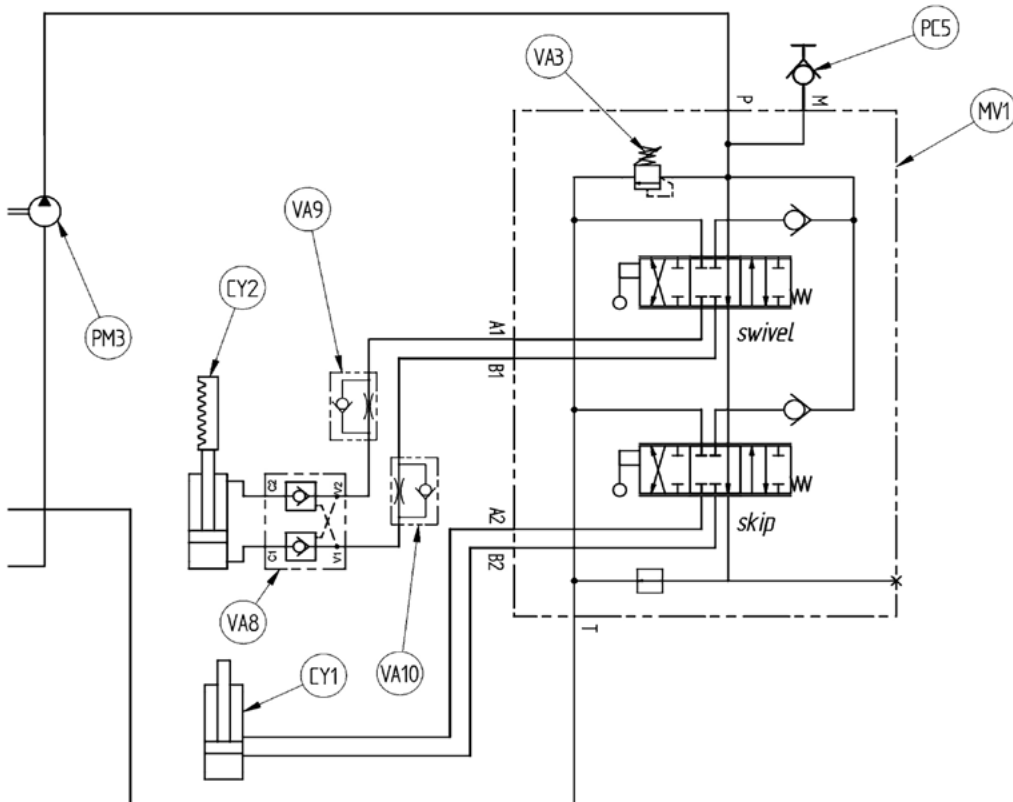
GENERAL INFORMATION

Hydraulic Schematic



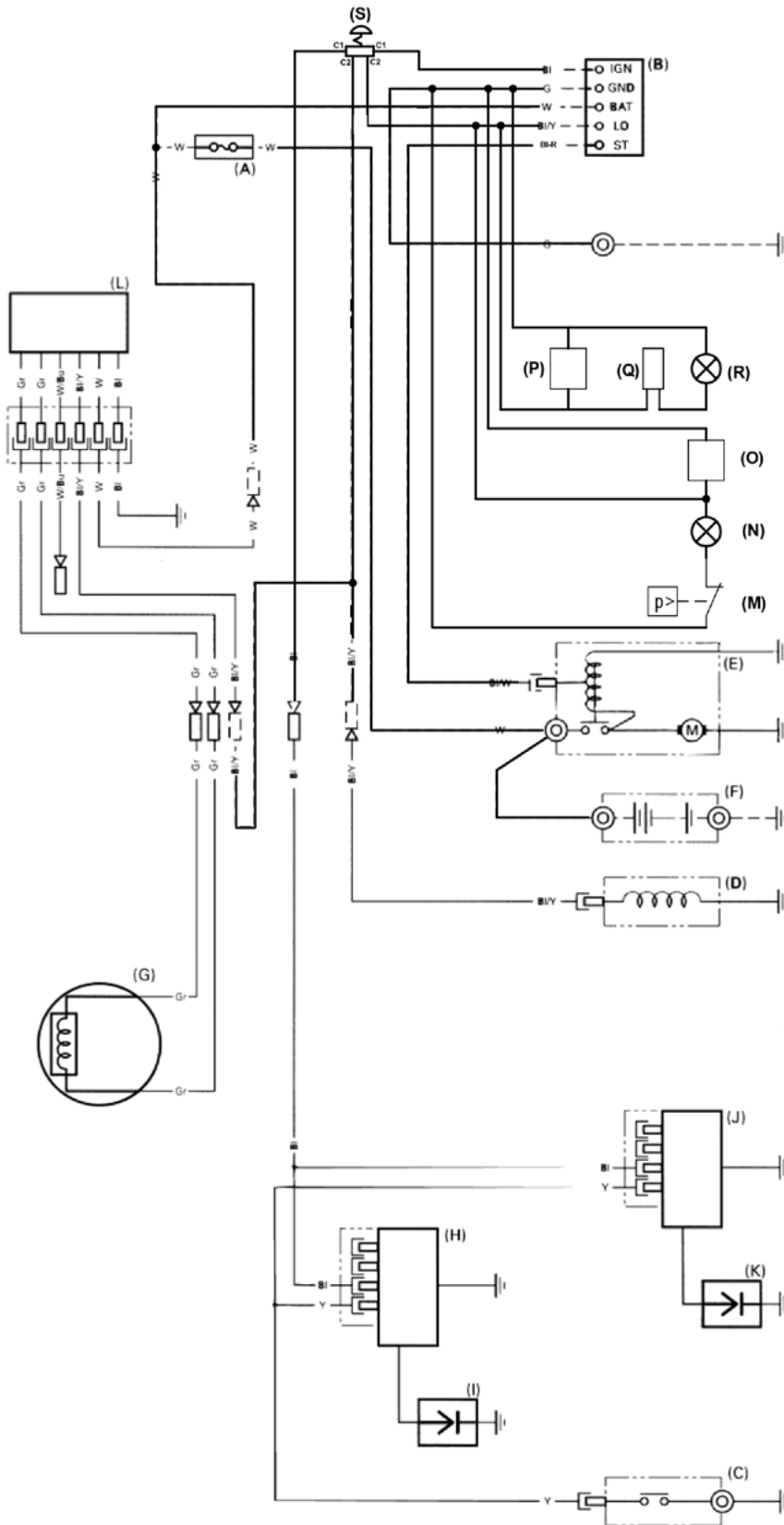
Hydraulic Schematic (cont'd)

| Pos. | Part | Technical specifications |
|------|-------------------|-----------------------------------|
| CO1 | Cooler | |
| CY1 | Cylinder | 50x30x480 - dumping |
| CY2 | Cylinder | 45x25x168 - swivelling |
| EG1 | Engine | 15.5 kw @ 3600 ± 50 rpm |
| FT1 | Suction filter | 30 µm |
| FT2 | Return filter | 90 µm |
| MT1 | Piston motor | 8,7 - 14,72 cc - right track |
| MT2 | Piston motor | 8,7 - 14,72 cc - left track |
| MV1 | Main valve | Services |
| PC1 | Pressure check | Right track - forward |
| PC2 | Pressure check | Left track - forward |
| PC3 | Pressure check | Right track - backward |
| PC4 | Pressure check | Left track - backward |
| PC5 | Pressure check | Services |
| PC6 | Pressure check | Charge pump |
| PM1 | Piston pump | 8 cc - right track |
| PM2 | Piston pump | 8 cc - left track |
| PM3 | Gear pump | 2,0 cc - services |
| PM4 | Charge pump | 5 cc |
| VA1a | Relief valve | 230±10 bar - right track forward |
| VA1b | Relief valve | 230±10 bar - right track backward |
| VA2a | Relief valve | 230±10 bar - left track forward |
| VA2b | Relief valve | 230±10 bar - left track backward |
| VA3 | Relief valve | 160±5 bar - services |
| VA4 | Relief valve | 20 + 22 bar - charge pump |
| VA5 | Check valve | 1.5 bar |
| VA6 | Valve | Brake |
| VA7 | Valve | 2° gear |
| VA8 | Pilot oper. Check | ratio=6:1 - cracking 3 bar |
| VA9 | One-way restrict. | ø 0,6 mm |
| VA10 | One-way restrict. | ø 0,8 mm |
| SW1 | Pressure switch | Brake |



GENERAL INFORMATION

Electrical Schematic



WIRE COLORS

| | | | |
|----|--------|----|-------------|
| Bi | BLACK | Br | BROWN |
| Y | YELLOW | O | BLACK |
| Bu | BLUE | Lb | LIGHT BLUE |
| G | GREEN | Lg | LIGHT GREEN |
| R | RED | P | PINK |
| W | WHITE | Gr | GRAY |

NOTE FOR TWO-COLORED WIRES:
 G/V --> YELLOW WITH GREEN DOTS
 G-V --> YELLOW WITH A GREEN LINE

| | IGN | GND | BAT | LO | ST |
|-----|-----|-----|-----|----|----|
| OFF | | | | | |
| ON | ○ | ○ | ○ | ○ | |
| ST | ○ | ○ | ○ | ○ | ○ |

| ITEM | DESCRIPTION |
|------|-------------------|
| A | Main fuse |
| B | Ignition sw itch |
| C | Oil level sw itch |
| D | Fuel cut solenoid |
| E | Starter motor |
| F | Battery |
| G | Charge coil |
| H | Ignition coil |
| I | Spark plug |
| J | Ignition coil |
| K | Spark plug |
| L | Regulator |
| M | Pressure sw itch |
| N | Warning light |
| O | Hourcounter |
| P | Fan |
| Q | Flow control |
| R | Warning light |
| S | Emergency stop |

Manual Revision

MANUAL REVISION DETAIL

| REVISION # | REVISION DATE | REVISION REFERENCE # | REVISION BY |
|------------|---------------|---|-------------|
| - | 09/2016 | Initial Release | AW |
| A | 07/2017 | - | AW |
| B | 05/2018 | 18-002, 18-027, 18-030, 18-031, 18-036 | MW |
| C | | MN 18-036 | MW |
| D | 01/2019 | MN 18-019, 18-063, 18-082, 18-108, 18-112, 18-133, 18-203, 18-229, 19-003, 19-011 | MW |
| E | 01/2022 | Updated Covers | MK |
| F | 06/2022 | Split Manual | MK |
| G | 01/2025 | Muffler/Collector Replacement Kit Info | MK |
| H | 02/2025 | Pg. 15 updated items 1, 6, 10 PN | MK |
| I | 06/2025 | Pg. 27 updated item 11 PN | MK |
| J | 01/2026 | Changed/Corrected 066444 to 069946, 64844800 to 070708, 33840908 to 073500 | MK |
| K | 02/2026 | Added 066444 filter kit, updated Hyd tank filter PNs | MK |
| L | 02/2026 | Corrected 068670 bucket PN to 066348, added 064941. | MK |
| M | 04/2026 | Corrected Hyd Filter PNs, 069946 to 065258 | MK |
| N | 04/2026 | 26-194, Changed 066444 to 082067, added 62009962 | MK |



AEC FACTORY & HEADQUARTERS

819 S. 5TH STREET
PARAGOULD, ARKANSAS 72450
870.236.7751
800.643.0095 (TOLL FREE (USA ONLY))

MAILING

PO BOX 819
PARAGOULD, ARKANSAS 72451

ALLENENG.COM

CONNECT WITH US ON SOCIAL

