

TRACK BUGGY

AT19S



PARTS MANUAL

Manual Part #: 079256P | Revision: A
Language: English | Original Instructions



For information regarding the following, please see the “AT19S - Safety & Operations Manual”

- Warranty Information
- Dealer Information
- How to identify the Model / Serial Numbers on the machine
- Engine Detail

TRACK BUGGY

PARTS MANUAL

This manual covers the products listed below:

<u>Part No.</u>	<u>Description</u>
076000	Buggy, AT19S

Table of Contents

Sect No.	Title	Page
	Table of Contents	4
SECTION 1	PARTS	5
	Factory Service Information.....	6
	Replacement Part Procedure.....	7
	Group Index.....	8
	Assembly, 01-01 Under-Truck	10
	Assembly, 01-02 Translation Gear Motor	14
	Assembly, 01-03 Foot Board.....	16
	Assembly, 02-01 Hydraulic Tank.....	18
	Assembly, 03-01 Engine	20
	Assembly, 03-02 Engine: Coupler	22
	Assembly, 03-03 Engine: Hydrostatic Pump Fittings	24
	Assembly, 03-05 Engine: Radiator	26
	Assembly, 03-06 Engine: Fuel Tank.....	28
	Assembly, 03-07 Engine: Electrical System	30
	Assembly, 04-01 Operator Control Panel.....	32
	Assembly, 04-02 Accelerator Control.....	34
	Assembly, 04-03 Operator Controls: Brake Lever	36
	Assembly, 04-04 Operator Controls: Hydraulic Servo Control	37
	Assembly, 04-05 Operator Controls: Gear Lever.....	38
	Assembly, 04-06 Box for Drainages & Servo Controls.....	39
	Assembly, 04-07 Operator Controls: Connector for Drainages.....	40
	Assembly, 05-01 Engine Hood	42
	Assembly, 06-01 Oleodynamic System: Brake-Gear Lever.....	44
	Assembly, 06-01A Oleodynamic System: Servo Control	46
	Assembly, 06-02 Hydraulic Transmission.....	47
	Assembly, 06-03 Hydraulic System: Suction, Delivery, Recovery	48
	Assembly, 06-04 Undertruck Functions Distributor	50
	Assembly, 07-01 Decals: Undercarriage	52
	Assembly, 07-02 Service Tools.....	54
	Assembly, 08-01 Bucket Frame	55
	Assembly, 08-02 Bucket Tipping	58
	Assembly, 08-03 Bucket Frame: Hydraulics.....	60
	Assembly, 08-04 Bucket Frame: Decals.....	62
	Assembly, 09-01 Tank with Trilateral Dumping.....	63
	Assembly, 09-02 Counter Frame.....	66
	Assembly, 09-03 Tank Oleodynamic System	68
	Assembly, 12-01 PTO Hyd System Main Valve	70
	Assembly, 12-03 PTO Decals.....	72
	Revision Notes	73

SECTION 1: PARTS

SECTION 1 PARTS

Factory Service Information

This section contains the illustrated drawings and parts list for help in identifying and/or ordering replacement parts for your machine. Follow the instructions in the front section of this manual “Ordering Parts” when ordering replacement parts to ensure prompt and accurate delivery.

NOTE

All set screws have blue (LOC-TITE™) applied at the factory. If set screw is removed or loosened for any reason re-apply blue (LOC-TITE™).

NOTE

All grease fittings are capped with CAP PLUG GC-5 (AEC PN 015692) to protect the fitting. If cap becomes missing or damaged replace it as soon as possible.

NOTE

Anti-Seize is applied at the factory to all drive line coupling, gear box main and counter shafts and pitch control threaded rod assemblies. If these parts are disassembled re-apply a light coat of a graphite based anti-seize.

**ALL REFERENCES MADE TO LEFT/RIGHT SIDES IN THIS MANUAL ARE SITTING ON MACHINE (SOM)
[i.e. Left / Right are in reference from a sitting position on the machine]**

We recommend AEC quality replacement parts, available from the AEC Customer Service Department or your nearest AEC Dealer.

Part numbers are subject to change without notice. Part numbers might be different outside of the United States of America. Use part numbers listed in the applicable parts list table when you place your order. If a part number changes, the AEC Customer Service Department or your nearest AEC dealer will have the latest part number for the replacement part.

Remember when you order replacement parts, you will need your **MODEL NUMBER** and **SERIAL NUMBER**. These are the numbers that you have recorded in the UNIT ID section of the “Safety and Operations Manual” or by looking on the unit Identification Plate. Please order replacement parts by the appropriate part number, not the item number.

This manual contains an illustrated parts list for help in ordering replacement parts for your machine. Follow the instructions below when ordering parts to ensure prompt and accurate delivery:

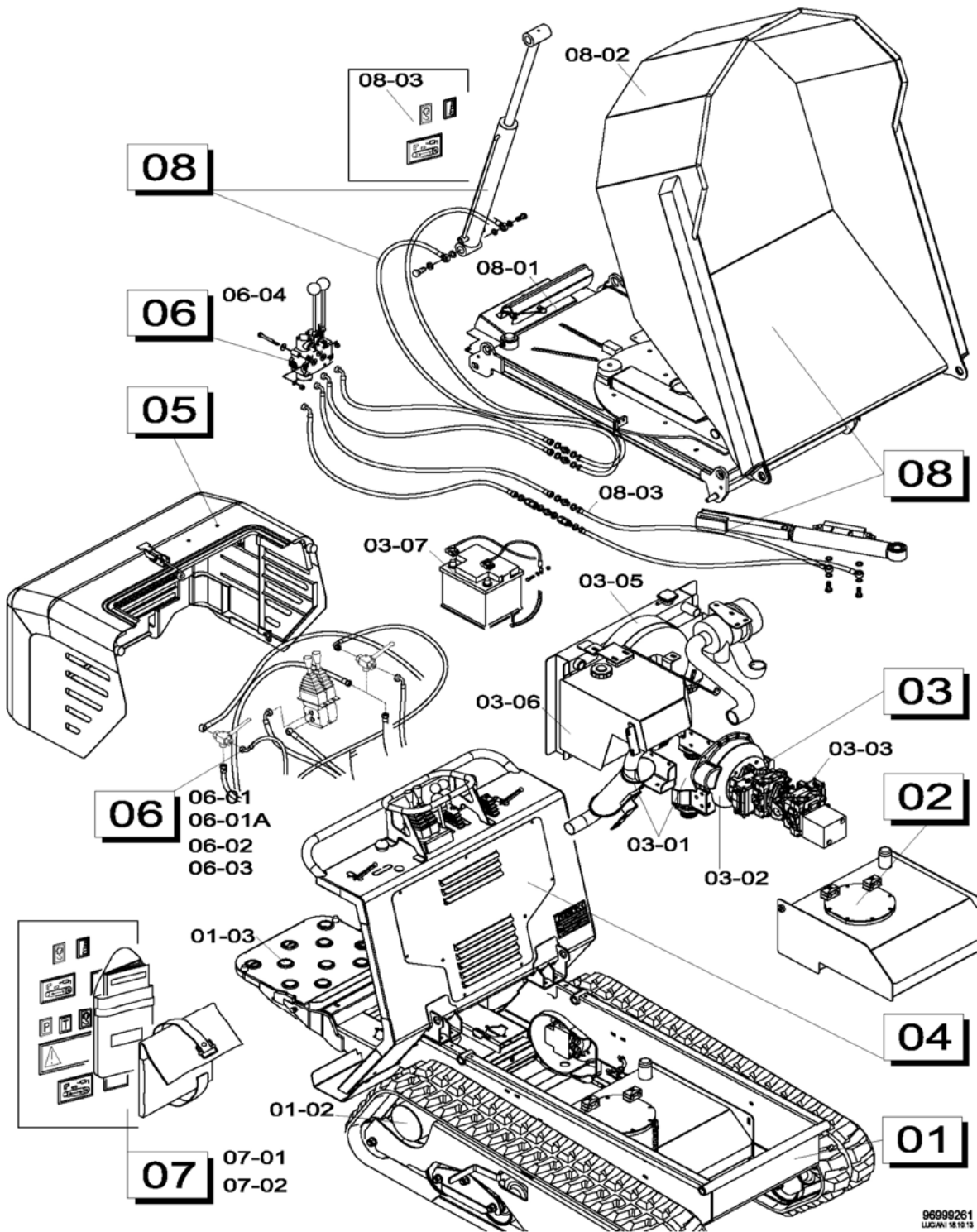
1. All orders for service parts - include the serial number for the machine. Shipment will be delayed if this information is not available.
2. Include correct description and part number
3. Specify exact shipping instructions, including the preferred routing and complete destination address.
4. **DO NOT** return parts to AEC without receiving written authorization from AEC. All authorized returns must be shipped pre-paid.
5. When placing an order, please contact the AEC Dealer nearest you.

NOTE

All information, specifications, and illustrations in this manual are subject to change without notice and are based on the latest information at the time of publication.

SECTION 1 PARTS

Group Index




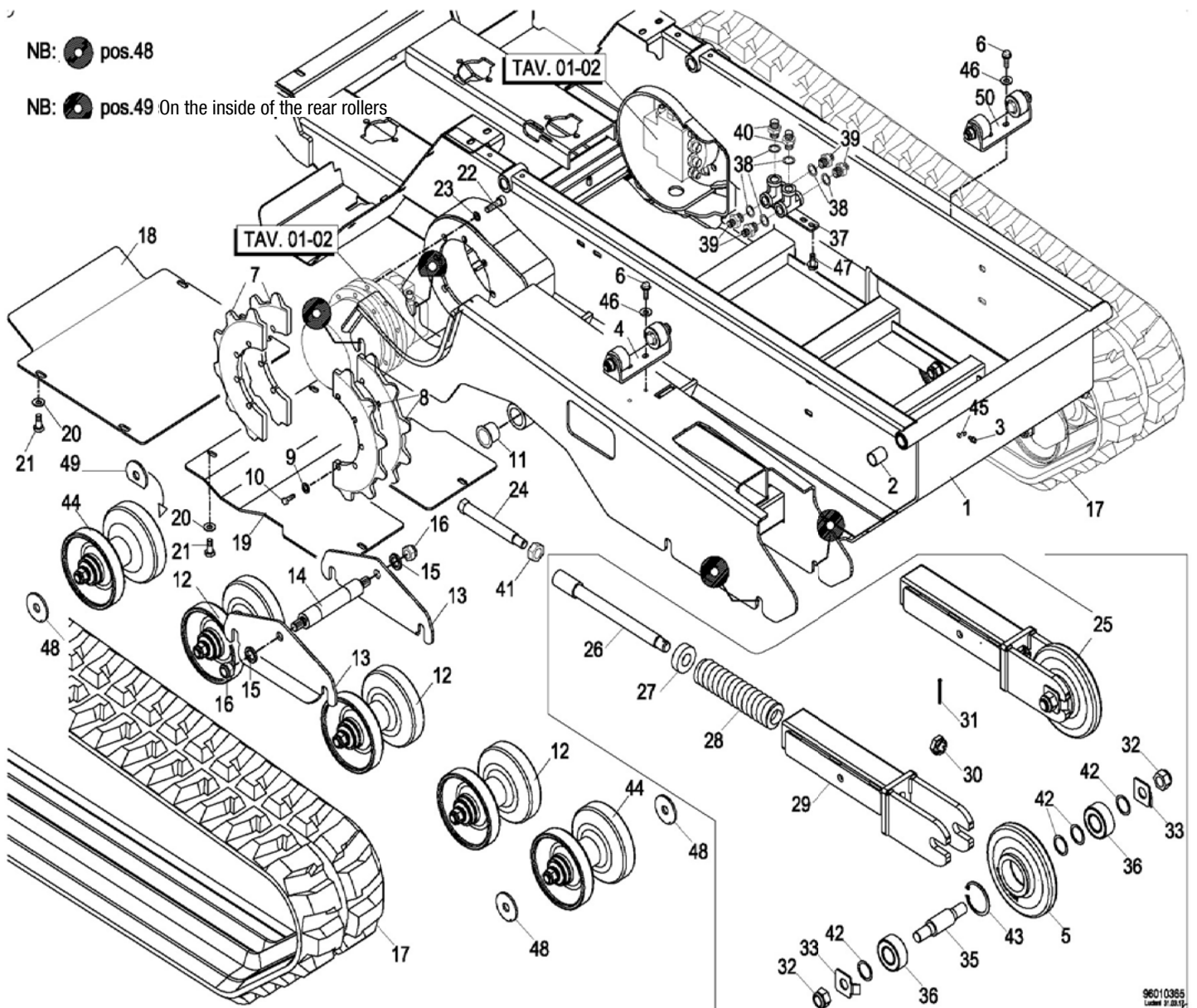
ITEM	GROUP INDEX
1	UNDER-TRUCK
2	HYDRAULIC OIL TANK
3	ENGINE UNIT
4	CONTROL ASSEMBLY
5	ENGINE HOOD
6	HYDRAULIC SYSTEM
7	EQUIPMENT LABELS
8	OPTIONAL - 3 WAY TIPPING SKIP HYD. PLANT
9	-
10	-
11	-
12	OPTIONAL - POWER TAKE OFF

SECTION 1 PARTS

Assembly, 01-01 Under-Truck

NB:  pos.48

NB:  pos.49 On the inside of the rear rollers




01-01 Under-Truck Parts List**SECTION 1
PARTS**

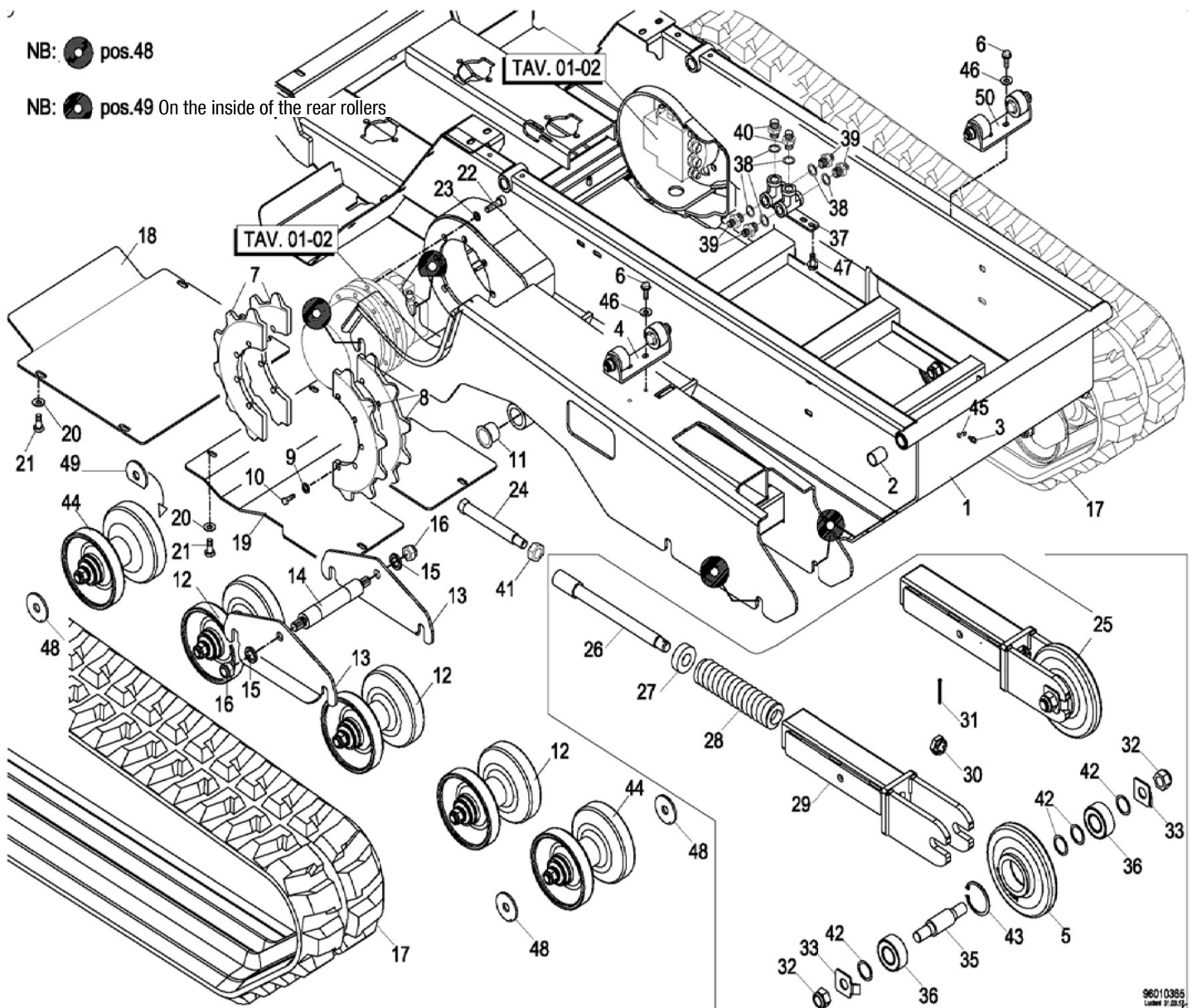
ITEM	PART #	DESCRIPTION	QTY
-	96010365	UNDER-TRUCK	-
1	55141400	UNDER-TRUCK FRAME	1
2	33591805	BUSHING	2
3	03510400	LUBRICATOR	1
4	45010186	COMPLETE ROLL	1
5	45040151	GEAR	2
6	03230601	SCREW	6
7	45051036	GEAR	4
8	45051037	GEAR	4
9	03386000	WASHER	18
10	03245010	SCREW	18
11	33593670	BUSHING	4
12	45010161	COMPLETE ROLL	6
13	55141456	WALL	4
14	45071312	PIN	2
15	03389300	WASHER	4
16	03369120	NUT	4
17	03902534	TRACK BRIDGESTONE	2
18	30014691	CRANKCASE	1
19	30014692	CRANKCASE	1
20	03383311	WASHER	8
21	03220610	SCREW	8
22	03244810	SCREW	16
23	03386000	WASHER	16
24	45100228	SCREW	2
25	45100349	COMPLETE IDLER	2
26	45100234	SCREW	2
27	45100227	RABBET	2
28	03730207	SPRING	2
29	45152967	SUPPORT	2
30	03371002	NUT	2
31	03433400	SPLIT PIN	2
32	03371110	NUT	4
33	30012959	PROTECTION	4

SECTION 1 PARTS

Assembly, 01-01 Under-Truck

NB:  pos.48

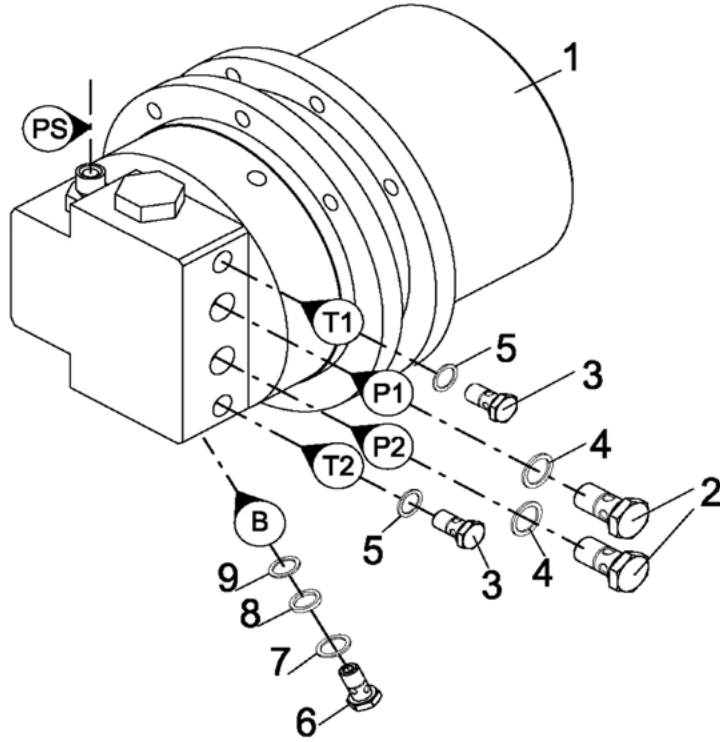
NB:  pos.49 On the inside of the rear rollers



ITEM	PART #	DESCRIPTION	QTY
-	96010365	UNDER-TRUCK	-
34	03422510	WASHER	4
35	45071194	PIN	2
36	03090209	BEARING	4
37	25200637	CONNECTOR	1
38	03168200	GASKET	6
39	13153950	CONNECTOR	4
40	13152800	CONNECTOR	2
41	03371120	NUT	2
42	92100078	WASHER	8
43	03420800	STOP RING	2
44	45010175	COMPLETE ROLL	4
45	13480850	PLUG	1
46	03385050	WASHER	6
47	03230510	SCREW	2
48	92100086	WASHER	6
49	92100089	WASHER	2
50	45010202	COMPLETE ROLL	1

SECTION 1
PARTS

Assembly, 01-02 Translation Gear Motor



96010325
LUCANI 19.05.13

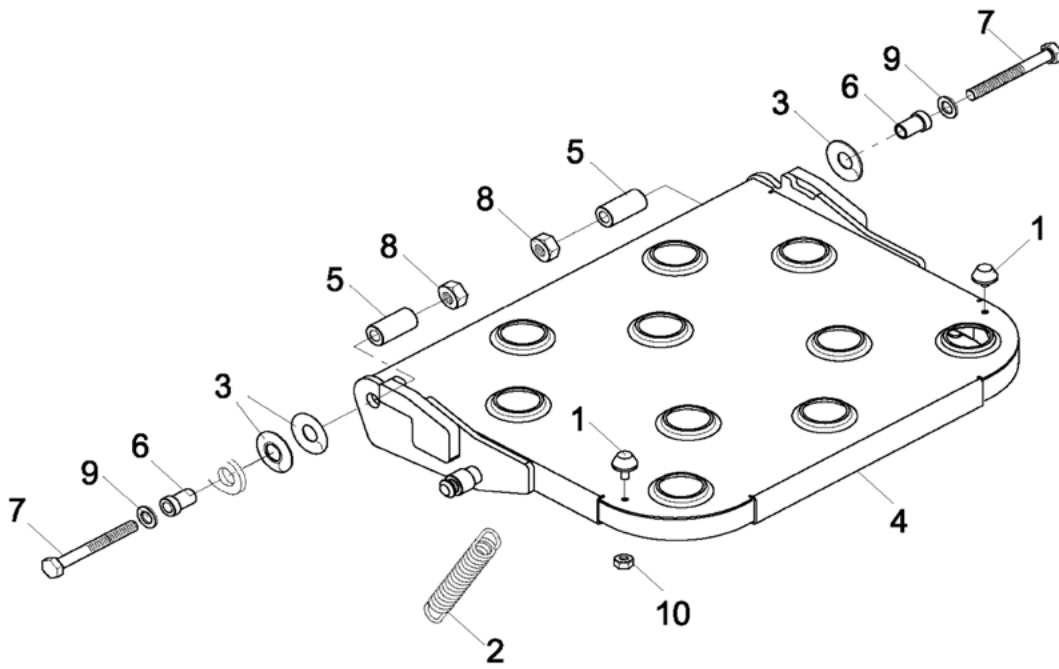
01-02 Translation Gear Motor Parts List

SECTION 1 PARTS

ITEM	PART #	DESCRIPTION	QTY
-	96010325	TRANSLATION GEAR MOTOR	-
1	03821073	SWING MOTOR	2
2	03150600	SCREW	4
3	03150006	SCREW	4
4	03160902	WASHER	4
5	03160901	WASHER	4
6	03150901	SCREW	2
7	03168100	GASKET	2
8	03160900	WASHER	2
9	03160012	GASKET	2

SECTION 1
PARTS

Assembly, 01-03 Foot Board



01-03 Foot Board Parts List

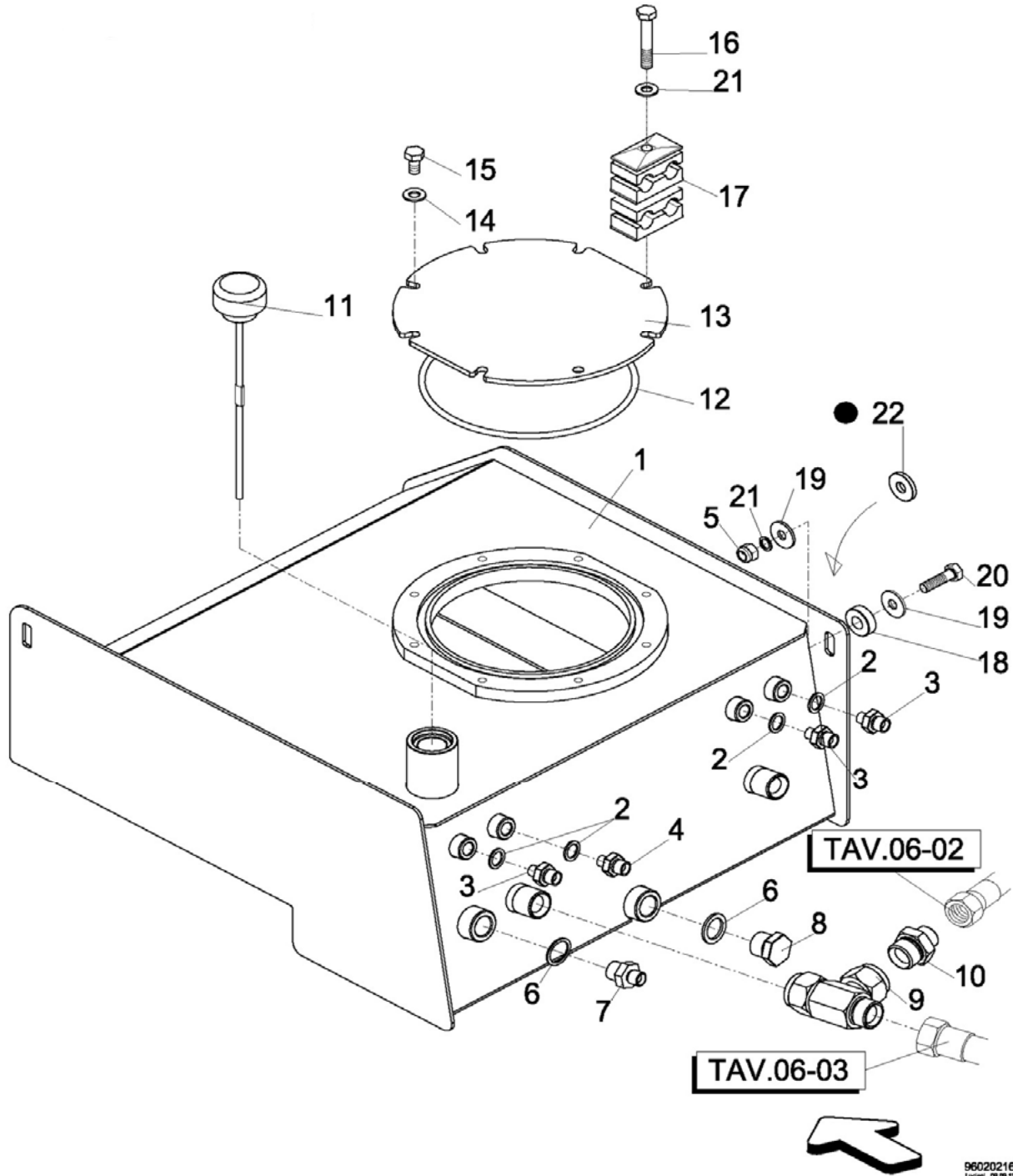
SECTION 1 PARTS

ITEM	PART #	DESCRIPTION	QTY
-	96010234	FOOT BOARD	-
1	03529600	VIBRATION-DAMPING	2
2	03730003	SPRING	1
3	03731430	SPRING	3
4	30060568	OPERATOR'S FOOT BOARD	1
5	45020437	SPACER	2
6	45020468	SPACER	2
7	03241600	SCREW	2
8	03366300	NUT	2
9	03386201	WASHER	2
10	03364001	NUT	2

SECTION 1 PARTS

Assembly, 02-01 Hydraulic Tank

● NB: pos.22 Use QTY according to what you need



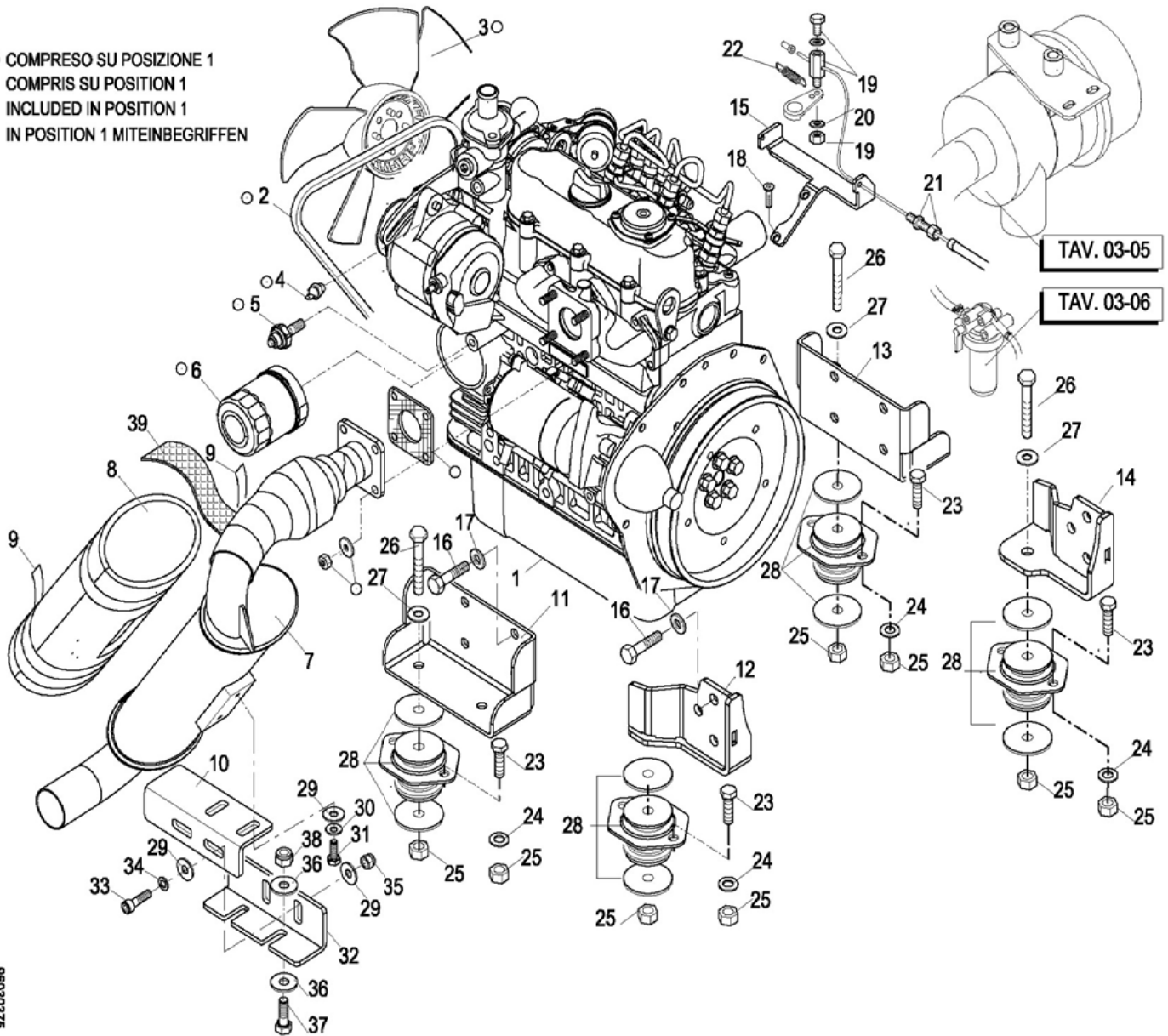
02-01 Hydraulic Tank Parts List**SECTION 1
PARTS**

ITEM	PART #	DESCRIPTION	QTY
-	96020216	HYDRAULIC OIL TANK	-
1	15101280	OIL TANK	1
2	03160901	WASHER	4
3	13150036	CONNECTOR	3
4	13153950	CONNECTOR	1
5	03365100	NUT	2
6	03160006	WASHER	2
7	13153900	CONNECTOR	1
8	13166000	PLUG	1
9	03631510	CONNECTOR	1
10	13154000	CONNECTOR	1
11	25110025	LEVEL-LOADING PLUG	1
12	03491002	O.R. RING	1
13	15100762	COVERING	1
14	03385050	WASHER	8
15	03230301	SCREW	7
16	03231510	SCREW	1
17	13572402	COLLAR	2
18	45070727	SPACER	2
19	03385601	WASHER	4
20	03230701	SCREW	2
21	03385050	WASHER	3
22	03386300	WASHER	2

SECTION 1 PARTS

Assembly, 03-01 Engine

○ COMPRESO SU POSIZIONE 1
 COMPRIS SU POSITION 1
 INCLUDED IN POSITION 1
 IN POSITION 1 MITEINBEGRIFFEN



98030375
 10/02/71

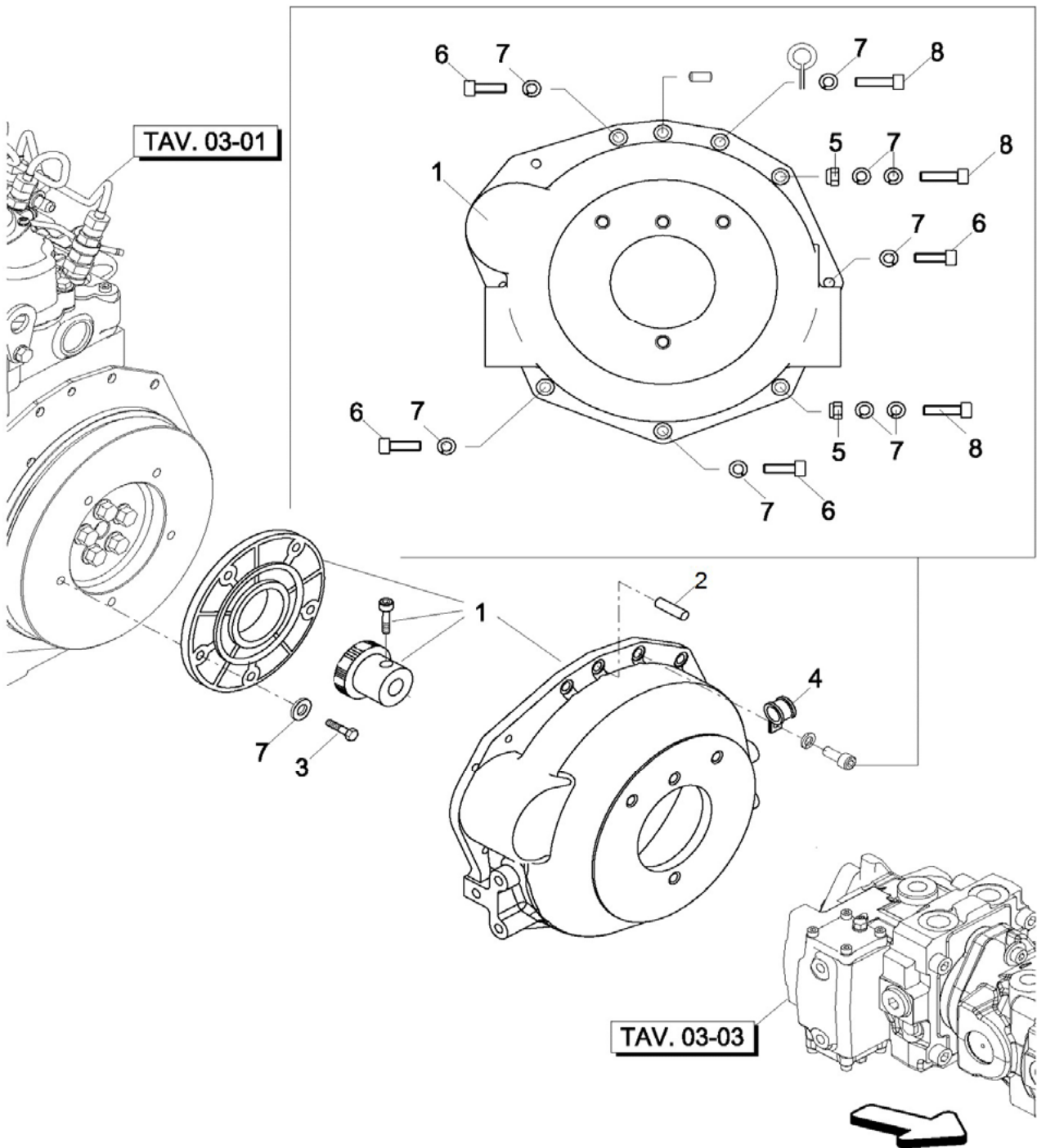
03-01 Engine Parts List

SECTION 1 PARTS

ITEM	PART #	DESCRIPTION	QTY
-	96030373	ENGINE ASSEMBLY	-
1	03006074	ENGINE	1
2	62549004	BELT	1
3	62008727	VAN	1
4	62008250	WATER TEMP. WARNING BULB	1
5	62008225	OIL PRESSURE BULB	1
6	62007425	OIL CARTRIDGE	1
7	03009691	MUFFLER	1
8	30322194	PANEL	1
9	20051354	ADHESIVE TAPE	1
10	30014825	CLAMP	1
11	20051421	FOOT	1
12	20051816	FOOT	1
13	20051422	FUSS	1
14	20051817	FOOT	1
15	45152872	SUPPORT	1
16	03247795	SCREW	14
17	03386050	WASHER	17
18	03227520	SCREW	2
19	03562901	CLAMP	1
20	03383201	WASHER	1
21	03563000	ADJUSTER	1
22	03732010	SPRING	1
23	03240401	SCREW	8
24	03386600	WASHER	16
25	03366300	NUT	12
26	03241500	SCREW	4
27	03386600	WASHER	4
28	03528051	VIBRATION-DAMPING	4
29	03385601	WASHER	6
30	03385050	WASHER	2
31	03230501	SCREW	2

SECTION 1 PARTS

Assembly, 03-02 Engine: Coupler

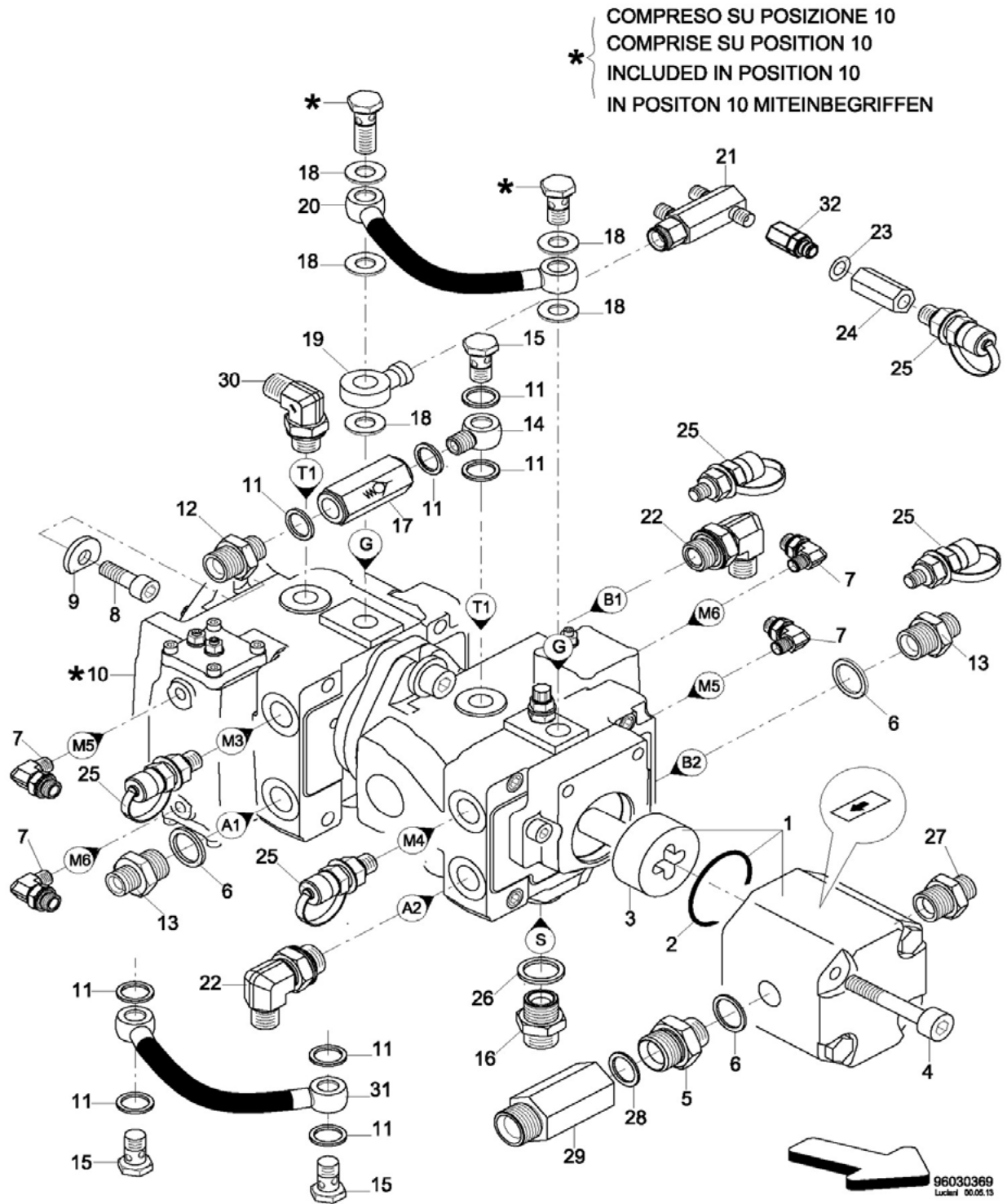


96050345
Lectra 03.02.15

ITEM	PART #	DESCRIPTION	QTY
-	96030435	ENGINE: COUPLER ASSEMBLY	-
1	13520050	COUPLER	1
2	03400010	PIN	1
3	03230601	SCREW	5
4	13572414	COLLAR	1
5	03365100	NUT	2
6	03234901	SCREW	4
7	03385000	WASHER	9
8	03235000	SCREW	3

SECTION 1 PARTS

Assembly, 03-03 Engine: Hydrostatic Pump Fittings

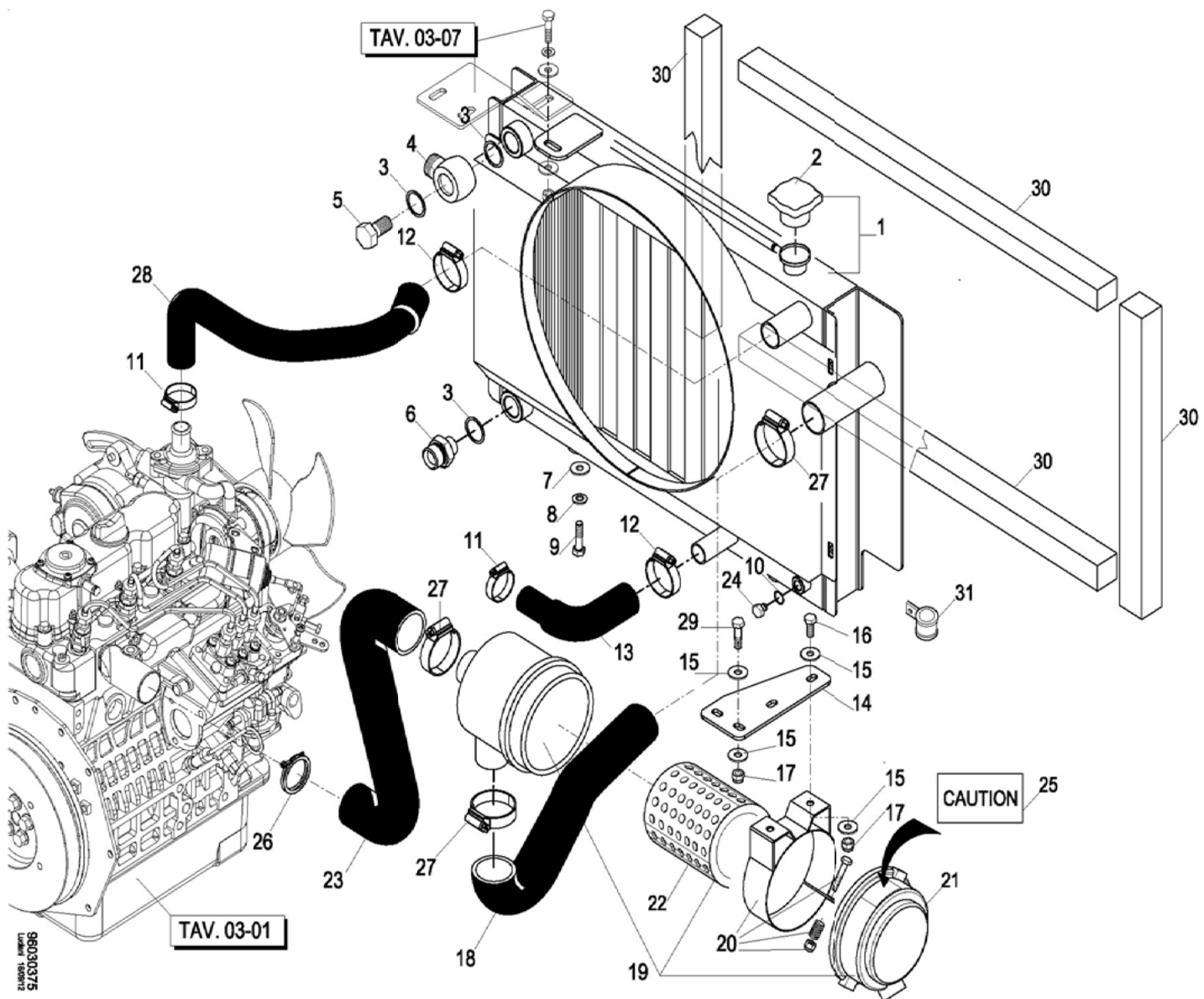


03-03 Engine: Hydrostatic Pump Fittings Parts List**SECTION 1
PARTS**

ITEM	PART #	DESCRIPTION	QTY
-	96030369	ENGINE: HYDROSTATIC PUMP FITTINGS ASSEMBLY	-
1	03790109	PUMP	1
2	67490039	O.R. RING	1
3	03799600	JOINT	1
4	03245850	SCREW	2
5	13154000	CONNECTOR	1
6	03160006	WASHER	3
7	13161213	CONNECTOR	4
8	03244902	SCREW	2
9	45071165	WASHER	2
10	03790110	PUMP	1
11	03160902	WASHER	8
12	13152800	CONNECTOR	1
13	13153900	CONNECTOR	2
14	03151900	CONNECTOR	1
15	03150600	SCREW	3
16	13152900	CONNECTOR	1
17	13843001	VALVE	1
18	03160901	WASHER	5
19	03150303	CONNECTOR	1
20	62123400	PIPE	1
21	03635007	CONNECTOR	1
22	13161211	CONNECTOR	2
23	03160900	WASHER	1
24	03620202	CONNECTOR	1
25	13845200	CHECKING COUPLING	5
26	03160006	WASHER	1
27	13153900	CONNECTOR	1
28	03160008	GASKET	1
29	03620000	CONNECTOR	1
30	13161235	CONNECTOR	1
31	03123401	PIPE	1
32	13150415	JUNCTION	1

SECTION 1 PARTS

Assembly, 03-05 Engine: Radiator



03-05 Engine: Radiator Parts List

SECTION 1 PARTS

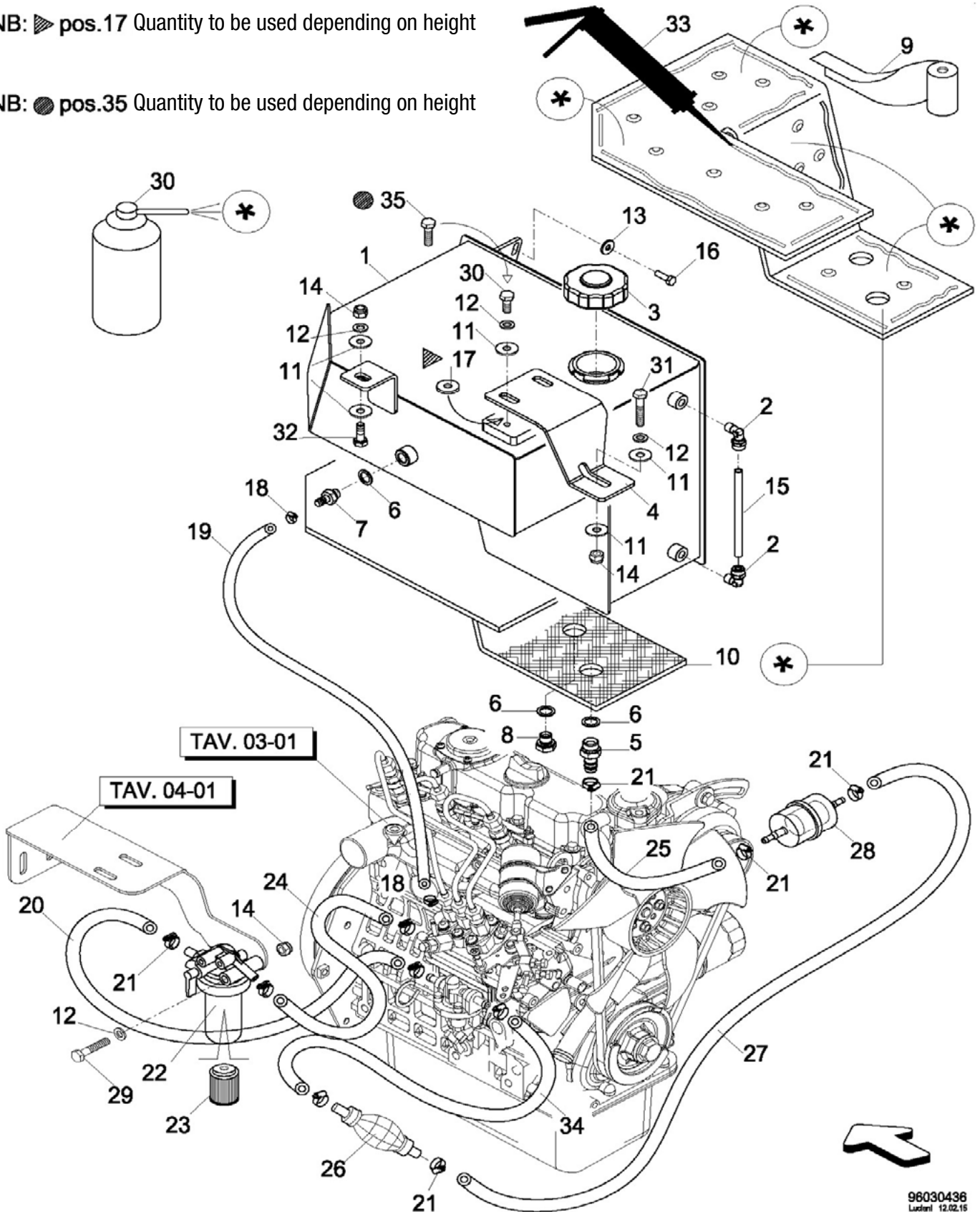
ITEM	PART #	DESCRIPTION	QTY
-	96030375	ENGINE: RADIATOR	-
1	33840538	RADIATOR	1
2	62845018	PLUG	1
3	03160008	WASHER	3
4	03150302	CONNECTOR	1
5	03150610	SCREW	1
6	13154000	13154000	1
7	03385401	WASHER	2
8	03385050	WASHER	2
9	03230701	SCREW	2
10	03160901	WASHER	1
11	13577100	CLAMP	2
12	13577300	CLAMP	2
13	03008715	SLEEVE	1
14	45500359	CLAMP	1
15	03385601	WASHER	4
16	03230501	SCREW	2
17	03365100	NUT	2
18	03009653	SLEEVE	1
19	03007007	FILTER	1
20	03007008	COLLAR	1
21	62009959	COVERING	1
22	62007054	CARTRIDGE	1
23	03009663	SLEEVE	1
24	13166010	PLUG	1
25	62662800	PLATE	1
26	13572740	CLAMP	1
27	13577201	CLAMP	3
28	20051799	SLEEVE	1
29	03230601	SCREW	2
30	03161502	GASKET	1
31	13572443	COLLAR	2

SECTION 1 PARTS

Assembly, 03-06 Engine: Fuel Tank

NB: ► pos.17 Quantity to be used depending on height

NB: ● pos.35 Quantity to be used depending on height



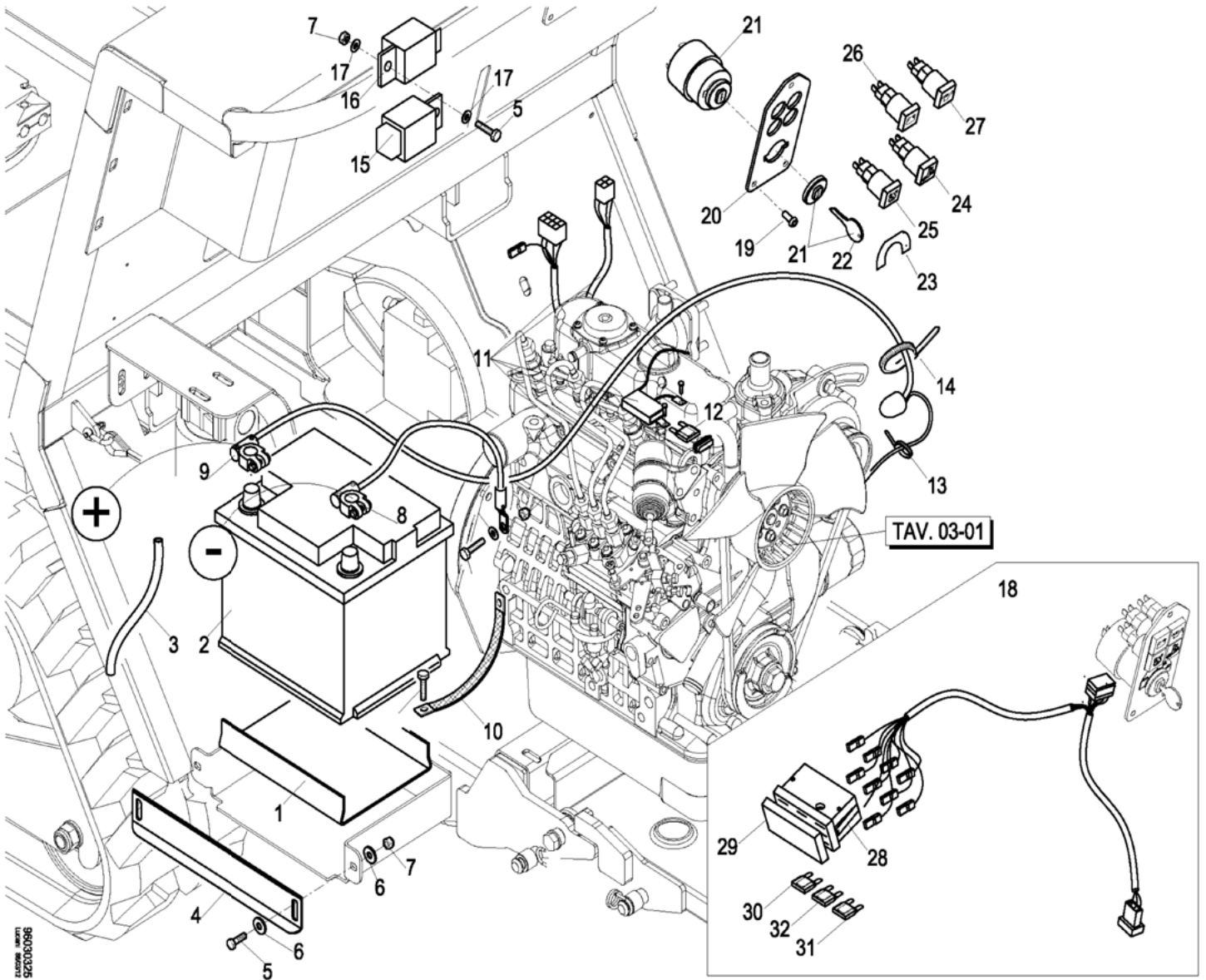
96030436
Ludani 12.02.15

03-06 Engine: Fuel Tank Parts List**SECTION 1
PARTS**

ITEM	PART #	DESCRIPTION	QTY
-	96030436	ENGINE: FUEL TANK	-
1	15101287	FUEL TANK	1
2	33982200	CONNECTOR	2
3	03841205	PLUG	1
4	45500358	CLAMP	1
5	33140017	CONNECTOR	1
6	03160901	WASHER	3
7	33143495	CONNECTOR	1
8	13166010	PLUG	1
9	20051354	ADHESIVE TAPE	1
10	30322217	PANEL	1
11	03385401	WASHER	6
12	03385050	WASHER	6
13	03383311	WASHER	2
14	03365100	NUT	6
15	25170167	PIPE	1
16	03220601	SCREW	2
17	03386300	WASHER	2
18	13577900	CLAMP	2
19	25170173	PIPE	1
20	25170171	PIPE	1
21	13577901	CLAMP	10
22	62007232	FILTER	1
23	62007213	CARTRIDGE	1
24	25170172	PIPE	1
25	25170136	PIPE	1
26	03008910	MANUAL PUMP	1
27	25170030	PIPE	1
28	03007200	FILTER	1
29	03231401	SCREW	1
30	03230501	SCREW	2
31	03230801	SCREW	1
32	03230601	SCREW	1
33	03709204	ADHESIVE	1

SECTION 1 PARTS

Assembly, 03-07 Engine: Electrical System



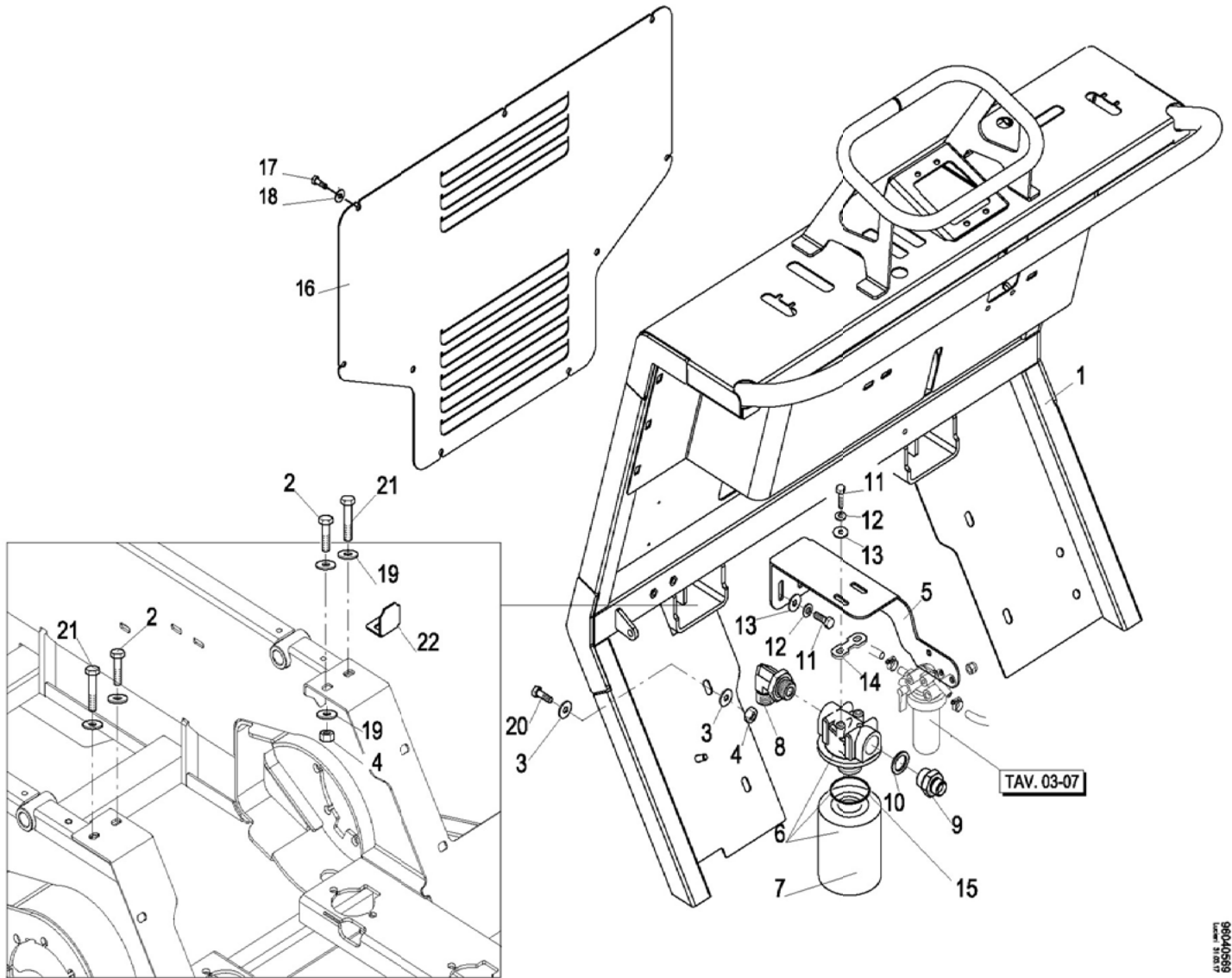
03-07 Engine: Electrical System Parts List

SECTION 1 PARTS

ITEM	PART #	DESCRIPTION	QTY
-	96030377	ENGINE: ELECTRICAL SYSTEM	-
1	30013521	PROTECTION	1
2	03010017	BATTERY	1
3	25170034	PIPE	1
4	45500258	CLAMP	1
5	03220601	SCREW	3
6	03383311	WASHER	4
7	03364010	NUT	3
8	60031415	NEGATIVE POLE CABLE	1
9	60031380	POSITIVE POLE CABLE	1
10	13467900	EARTHING CABLE	1
11	60020092	ENGINE LINE	1
12	72482416	FUSE 50 A	1
13	13577500	CLAMP	1
14	13577501	CLAMP	1
15	03481810	PRE-HEATING STATION	1
16	72484407	ELECTRO-STOP TIMER	1
17	03383201	WASHER	2
18	60020098	DASHBOARD LINE	1
19	03227700	SCREW	2
20	60020053	DASHBOARD	1
21	73472709	DASHBOARD	1
22	73472708	KEY	1
23	63472722	PLATE	1
24	33480201	WATER TEMP. WARNING LIGHT	1
25	33480203	ENGINE PRE-HEATING WARNING	1
26	33480204	GENERATOR WARNING LIGHT	1
27	33480200	OIL PRESSURE WARNING LIGHT	1
28	03482602	FUSE CARRIER BOX	1
29	03482603	COVERING	1
30	72482415	FUSE 3 A	1
31	72482414	FUSE 5 A	1
32	67480001	FUSE 10 A	2
33	67480002	FUSE 15 A	1

SECTION 1 PARTS

Assembly, 04-01 Operator Control Panel



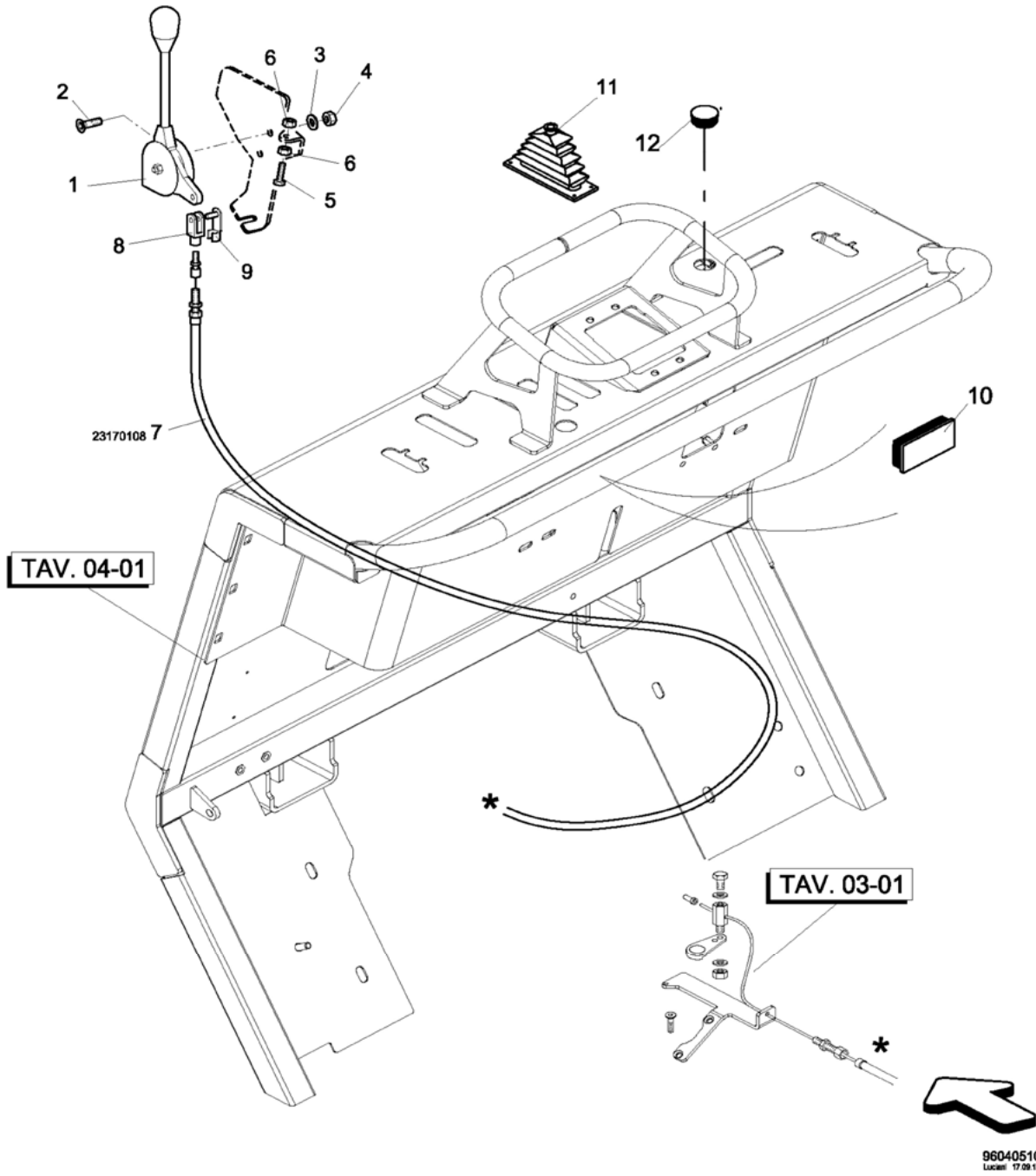
99040569
Laser 31.03.17

04-01 Operator Control Panel Parts List**SECTION 1
PARTS**

ITEM	PART #	DESCRIPTION	QTY
-	96040569	OPERATOR CONTROL PANEL	-
1	55030730	FRAME DRIVING PLACE	1
2	03240501	SCREW	2
3	03386011	WASHER	8
4	03366300	NUT	4
5	45152798	SUPPORT	1
6	03844812	OIL FILTER	1
7	62845011	OIL CARTRIDGE	1
8	13161205	CONNECTOR	1
9	13154000	CONNECTOR	1
10	03160008	WASHER	1
11	03230601	SCREW	4
12	03385050	WASHER	4
13	03385050	WASHER	4
14	45020348	SPACER	1
15	72162516	GASKET	1
16	30014770	CRANKCASE	1
17	03220601	SCREW	9
18	03383311	WASHER	9
19	03386300	WASHER	8
20	03240401	SCREW	4
21	03240712	SCREW	2
22	30015025	PROTECTION	4

SECTION 1 PARTS

Assembly, 04-02 Accelerator Control

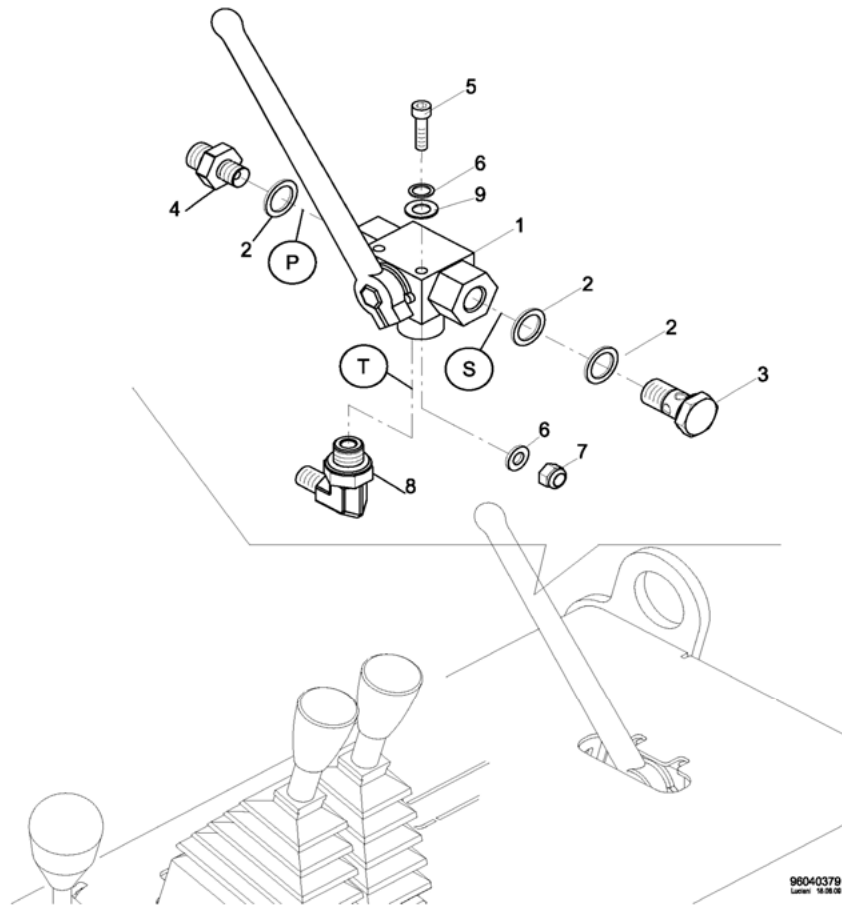


04-02 Accelerator Control Parts List**SECTION 1
PARTS**

ITEM	PART #	DESCRIPTION	QTY
-	96040510	ACCELERATOR CONTROL	-
1	03563106	HAND-LEVER	1
2	03227520	SCREW	2
3	03383311	WASHER	2
4	03364010	NUT	2
5	03220901	SCREW	1
6	03364001	NUT	2
7	23170108	CABLE	1
8	13430001	FORK	1
9	13439570	PIN	1
10	13480010	PLUG	1
11	03581001	PROTECTION	1
12	13480200	PLUG	2

SECTION 1 PARTS

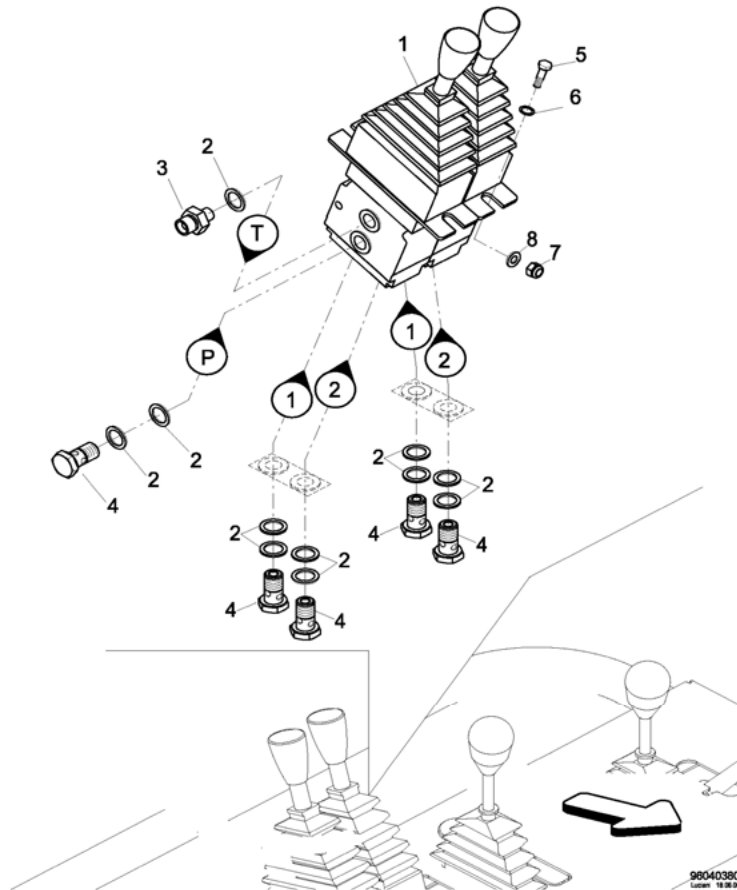
Assembly, 04-03 Operator Controls: Brake Lever



ITEM	PART #	DESCRIPTION	QTY
-	96040379	BRAKE LEVER	-
1	13840026	TAP	1
2	03168500	GASKET	3
3	03150006	SCREW	1
4	13150036	CONNECTOR	1
5	83390400	SCREW	2
6	03381000	WASHER	4
7	03363001	NUT	2
8	13161229	CONNECTOR	1
9	03383202	WASHER	2

Assembly, 04-04 Operator Controls: Hydraulic Servo Control

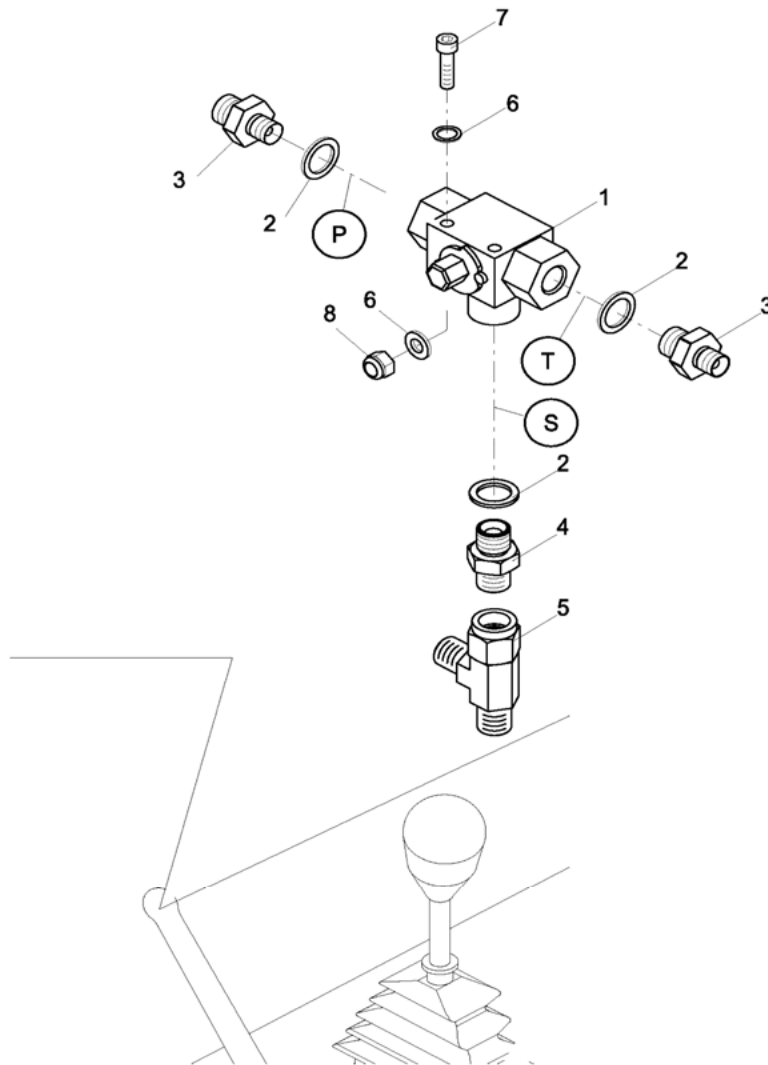
SECTION 1 PARTS



ITEM	PART #	DESCRIPTION	QTY
-	96040513	HYDRAULIC SERVO CONTROL	-
1	13184506	POWER ASSISTED CONTROL	1
2	03168500	GASKET	11
3	13150036	CONNECTOR	1
4	03150006	SCREW	5
5	03220601	SCREW	4
6	03383202	WASHER	4
7	03364010	NUT	4
8	03383311	WASHER	4

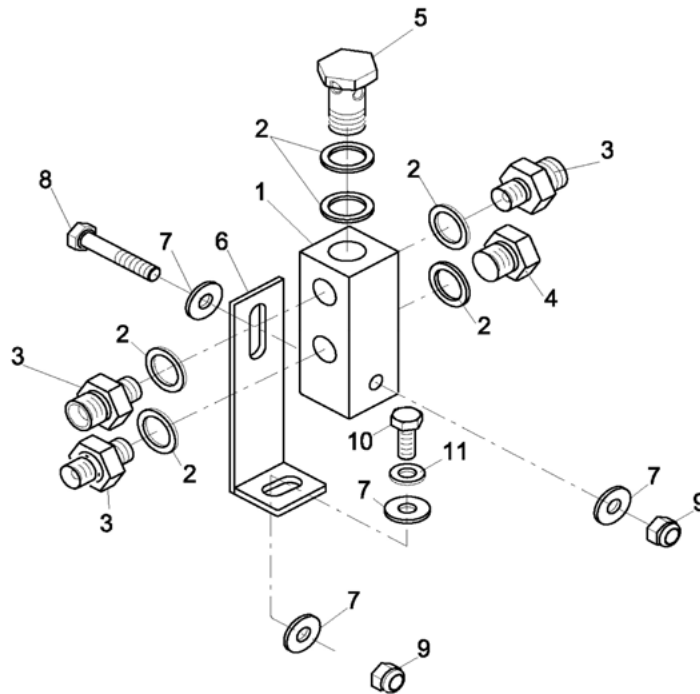
SECTION 1 PARTS

Assembly, 04-05 Operator Controls: Gear Lever



96040381
Lecan 24/08/08

ITEM	PART #	DESCRIPTION	QTY
-	96040511	BRAKE LEVER	-
1	25050071	TAP	1
2	03168500	GASKET	3
3	13150036	CONNECTOR	2
4	13152700	CONNECTOR	1
5	03631700	JUNCTION	1
6	03381000	WASHER	4
7	03245101	SCREW	2
8	03363001	NUT	2

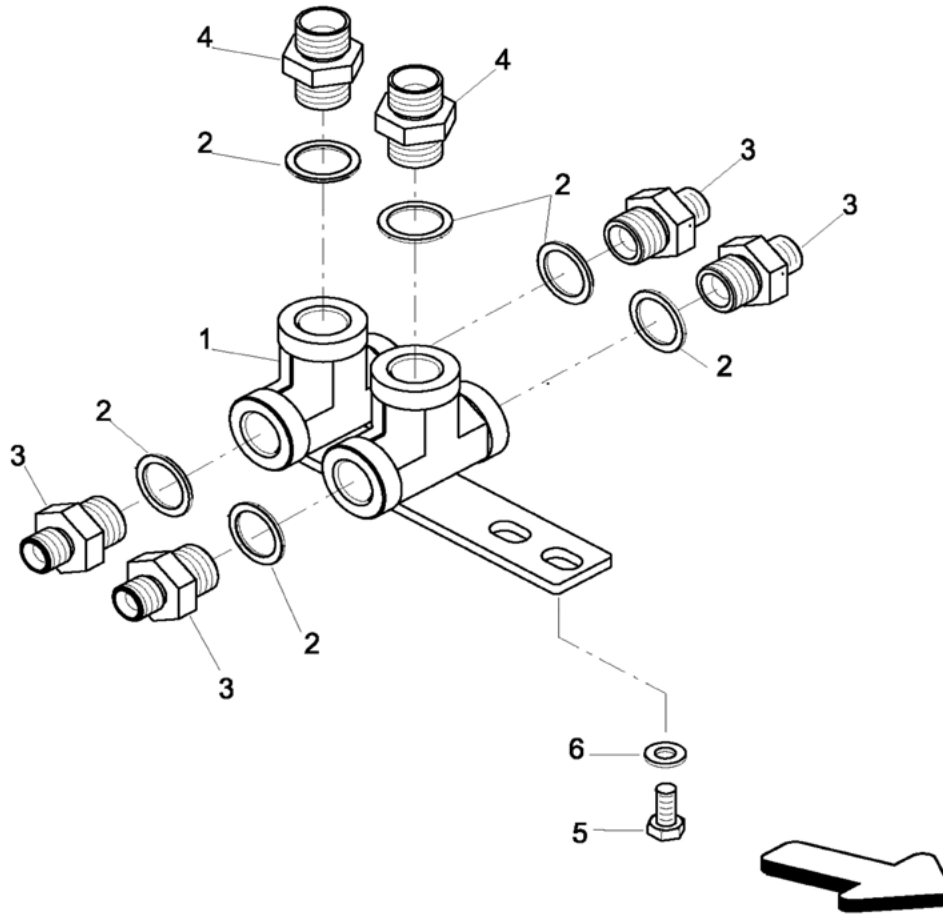


96040514
Lectra 18.12.13

ITEM	PART #	DESCRIPTION	QTY
-	96040514	BOX FOR DRAINAGES & SERVO CONTROLS	-
1	25200650	CONNECTOR	1
2	3168500	GASKET	8
3	13150036	CONNECTOR	2
4	13166010	PLUG	1
5	3150006	SCREW	1
6	45500134	SUPPORT	1
7	3383202	WASHER	4
8	3221001	SCREW	1
9	3364010	NUT	2
10	3220701	SCREW	1
11	3383000	WASHER	1

SECTION 1 PARTS

Assembly, 04-07 Operator Controls: Connector for Drainages



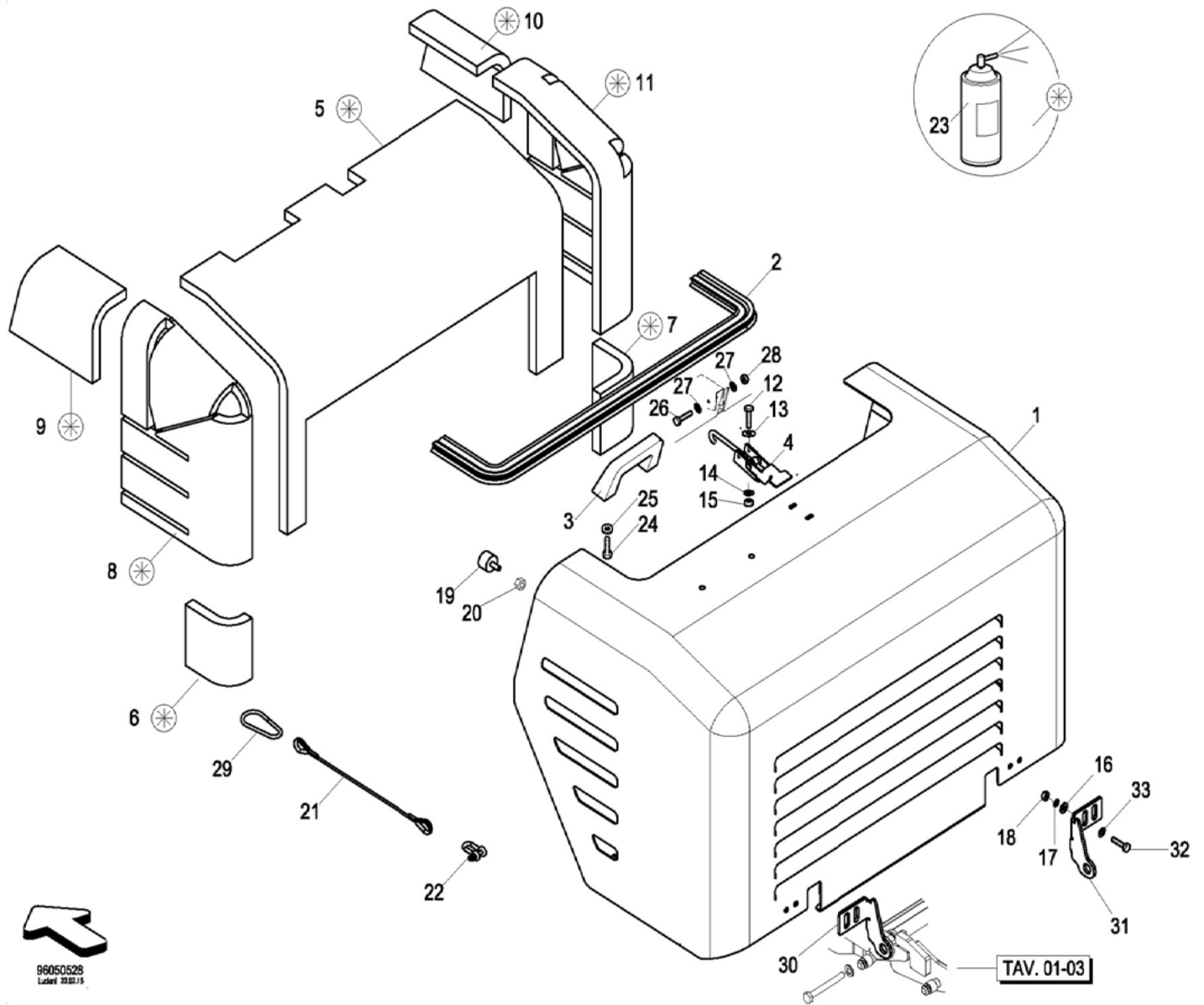
96040383
Lusimi 10/28/08

ITEM	PART #	DESCRIPTION	QTY
-	96040512	CONNECTOR FOR DRAINAGES	-
1	25200637	CONNECTOR	1
2	03168200	GASKET	6
3	13153950	CONNECTOR	4
4	13152800	CONNECTOR	2
5	03386050	WASHER	2
6	03230601	SCREW	2

PAGE LEFT BLANK INTENTIONALLY

SECTION 1 PARTS

Assembly, 05-01 Engine Hood



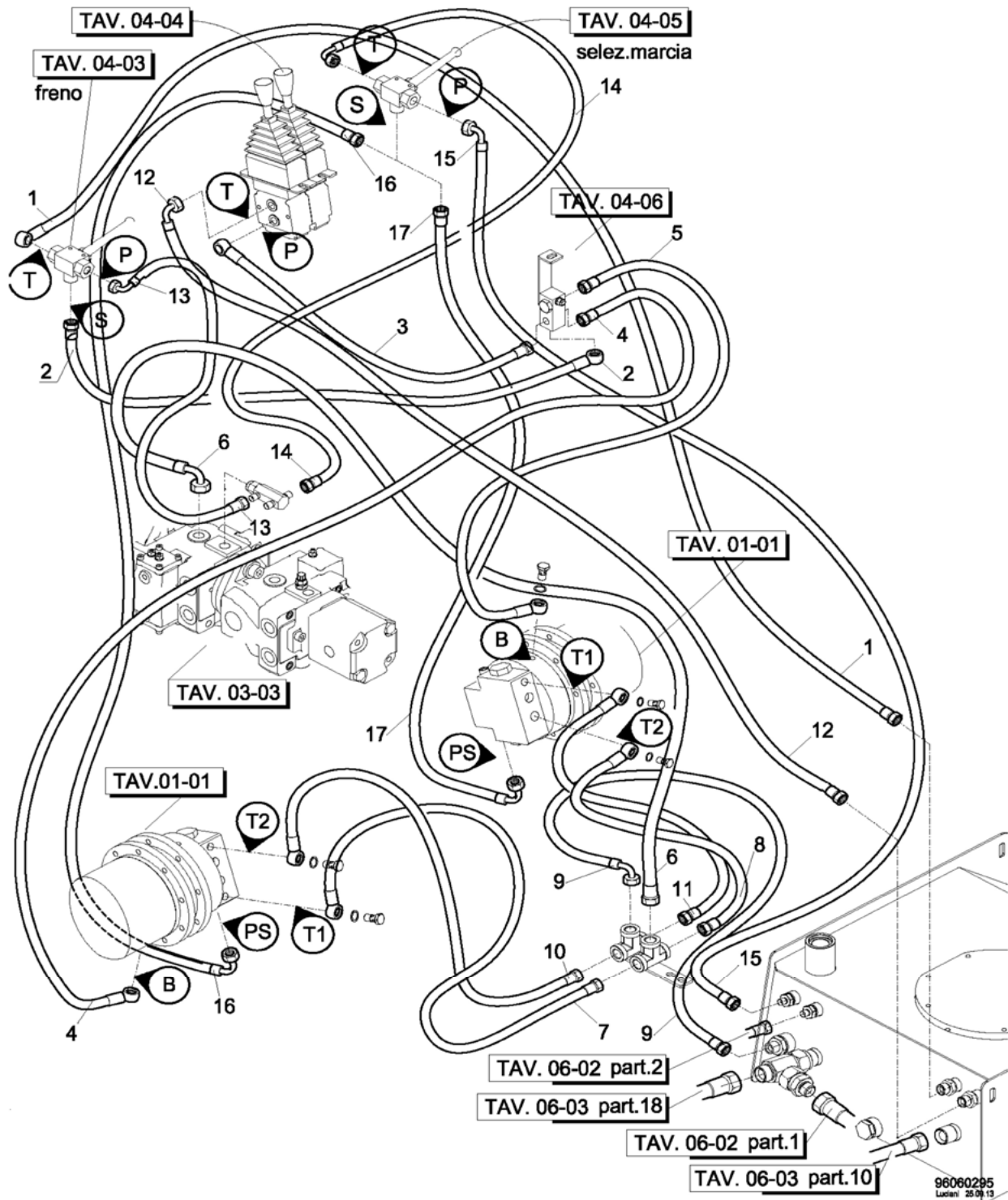
05-01 Engine Hood Parts List

SECTION 1 PARTS

ITEM	PART #	DESCRIPTION	QTY
-	96050528	ENGINE HOOD	-
1	30015227	HOOD	1
2	30322181	GASKET	1
3	03580100	HANDLE	1
4	03572026	LOCKING	1
5	30322182	PANEL	1
6	30322192	PANEL	1
7	30322191	PANEL	1
8	30322184	PANEL	1
9	30322190	PANEL	1
10	30322189	PANEL	1
11	30322183	PANEL	1
12	03220601	SCREW	2
13	03383201	WASHER	2
14	03383311	WASHER	2
15	03364010	NUT	2
16	03385601	WASHER	4
17	03385000	WASHER	4
18	03365100	NUT	4
19	03520306	VIBRATION-DAMPING	2
20	03365001	NUT	2
21	03564002	CABLE	1
22	03350005	CONNECTION	1
23	03709010	ADHESIVE	1
24	03230501	SCREW	2
25	03385601	SCREW	2
26	03221000	SCREW	1
27	03383311	WASHER	2
28	03364010	NUT	1
29	03350008	CARABINER	1
30	30015225	CLAMP	1
31	30015226	CLAMP	1
32	03230701	SCREW	4
33	03385600	WASHER	4

SECTION 1 PARTS

Assembly, 06-01 Oleodynamic System: Brake-Gear Lever



96060295
Lucani 25.09.13

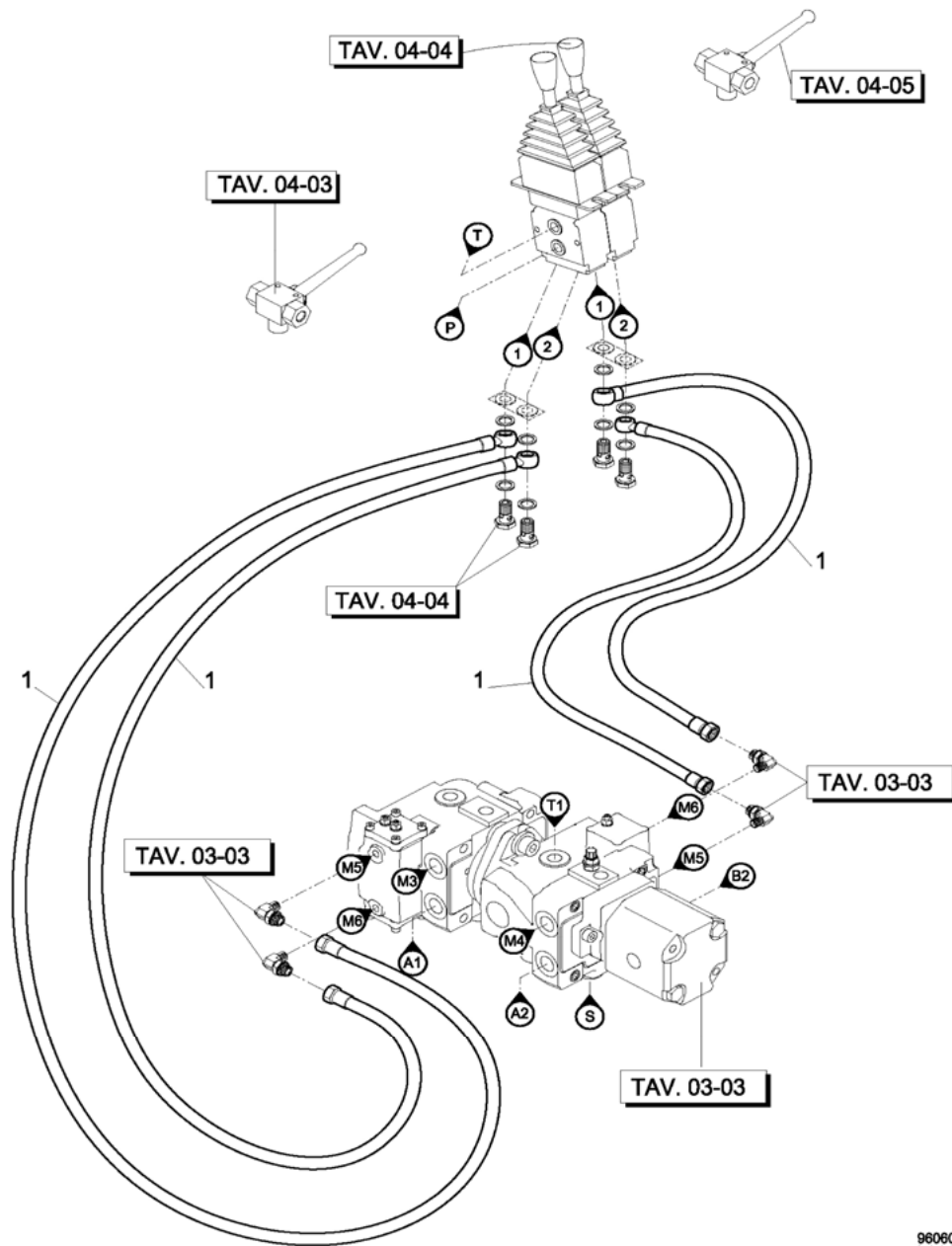
06-01 Oleodynamic System: Brake-Gear Lever Parts List

SECTION 1 PARTS

ITEM	PART #	DESCRIPTION	QTY
-	96060295	OPERATOR CONTROL PANEL	-
1	03122034	HOSE	1
2	03122020	HOSE	1
3	03122022	HOSE	1
4	03121962	HOSE	1
5	03121962	HOSE	1
6	03111846	HOSE	1
7	03112026	HOSE	1
8	03112026	HOSE	1
9	03111845	HOSE	1
10	03112026	HOSE	1
11	03112026	HOSE	1
12	03121862	HOSE	1
13	03121863	HOSE	1
14	03121863	HOSE	1
15	03121863	HOSE	1
16	03111883	HOSE	1
17	03111883	HOSE	1

SECTION 1 PARTS

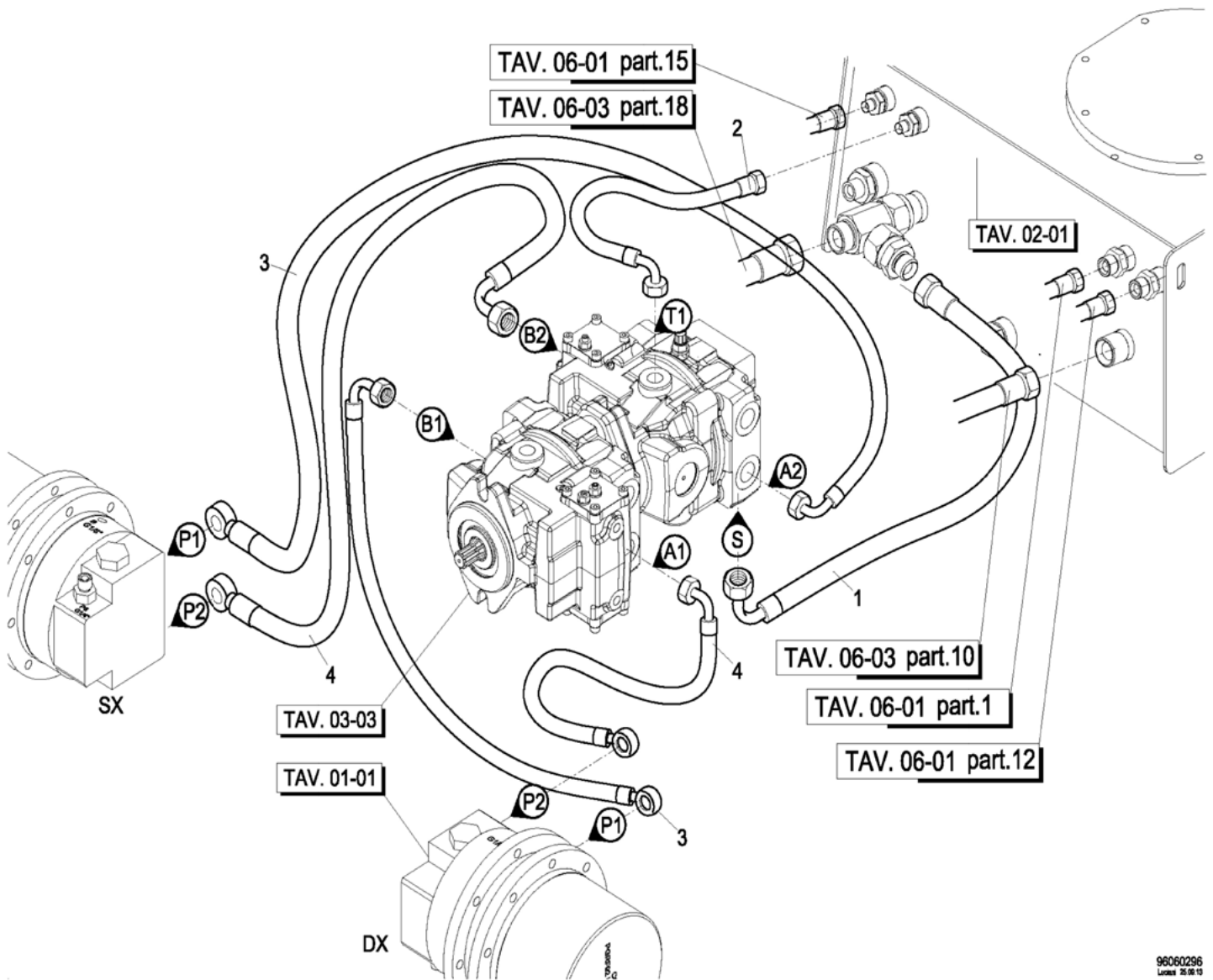
Assembly, 06-01A Oleodynamic System: Servo Control



ITEM	PART #	DESCRIPTION	QTY
-	96060222	SERVO CONTROL	-
1	03122031	HOSE	4

Assembly, 06-02 Hydraulic Transmission

SECTION 1 PARTS



96060296
Linet 2/2/13

ITEM	PART #	DESCRIPTION	QTY
-	96060296	HYDRAULIC TRANSMISSION	-
1	03120061	HOSE	1
2	03111963	HOSE	1
3	03112024	HOSE	2
4	03112079	HOSE	2

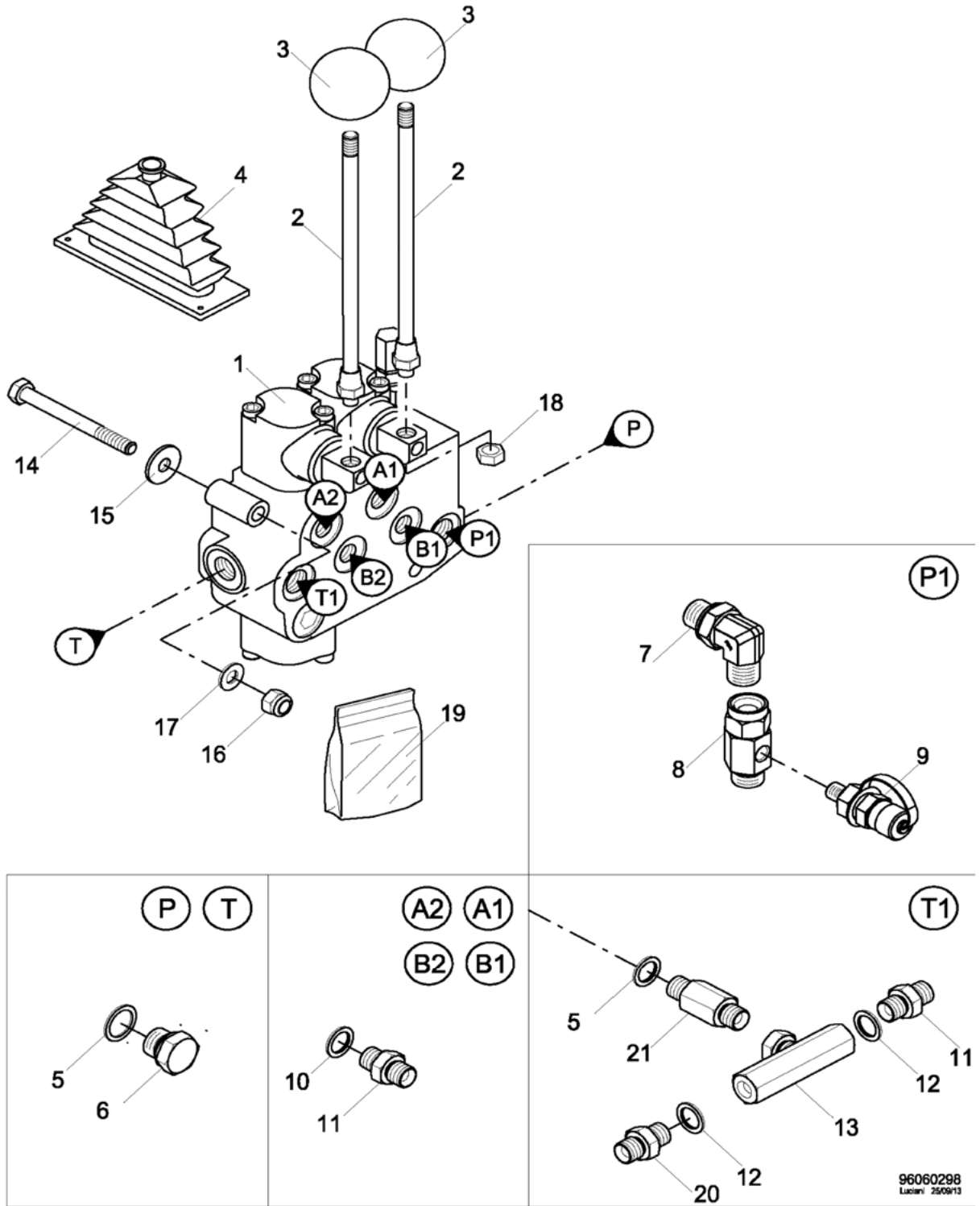
**06-03 Hydraulic System: Suction, Delivery, Recovery
Parts List**

**SECTION 1
PARTS**

ITEM	PART #	DESCRIPTION	QTY
-	96060297	HYD. SYSTEM SUCTION, DELIVERY, RECOVERY	-
1	13842802	VALVE	1
2	03168200	GASKET	2
3	13152800	CONNECTOR	2
4	20051306	PROTECTION	1
5	13161211	CONNECTOR	1
6	03221200	SCREW	2
7	03383311	WASHER	2
8	03383201	WASHER	2
9	03364010	NUT	2
10	03121420	HOSE	1
11	03111963	HOSE	1
12	03110230	HOSE	1
13	03111871	HOSE	1
14	13577501	CLAMP	2
15	03131815	HOSE	1
16	03111840	HOSE	1
17	13577500	CLAMP	2
18	03130904	HOSE	1

SECTION 1 PARTS

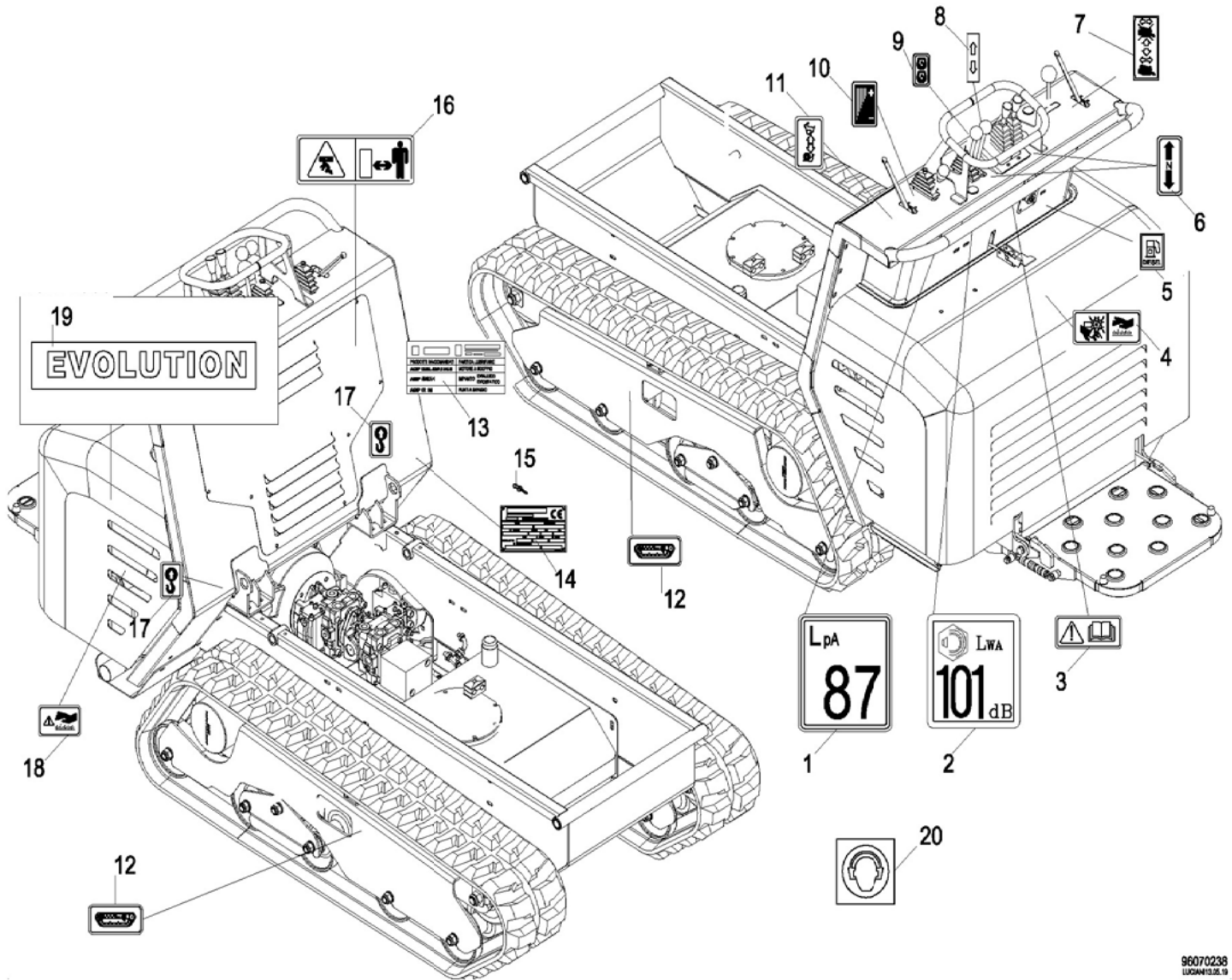
Assembly, 06-04 Undertruck Functions Distributor



ITEM	PART #	DESCRIPTION	QTY
-	96060298	UNDERTRUCK FUNCTIONS DISTRIBUTER	-
1	13180503	DISTRIBUTOR	1
2	23150286	LEVER	2
3	03581403	BALL	2
4	03581001	PROTECTION	2
5	03168200	GASKET	3
6	13160013	PLUG	2
7	13161203	CONNECTOR	1
8	25200603	CONNECTOR	1
9	13845200	CHECKING COUPLING	1
10	03168500	GASKET	4
11	13152700	CONNECTOR	4
12	03168400	GASKET	2
13	03631502	JUNCTION	1
14	03231301	SCREW	2
15	03385401	WASHER	2
16	03365100	NUT	2
17	03385201	WASHER	2
18	03366001	NUT	2
19	62497826	KIT SEALS	1
20	13153900	CONNECTOR	1
21	13150808	CONNECTOR	1

SECTION 1 PARTS

Assembly, 07-01 Decals: Undercarriage



96070238
LUCIAN13.05.19

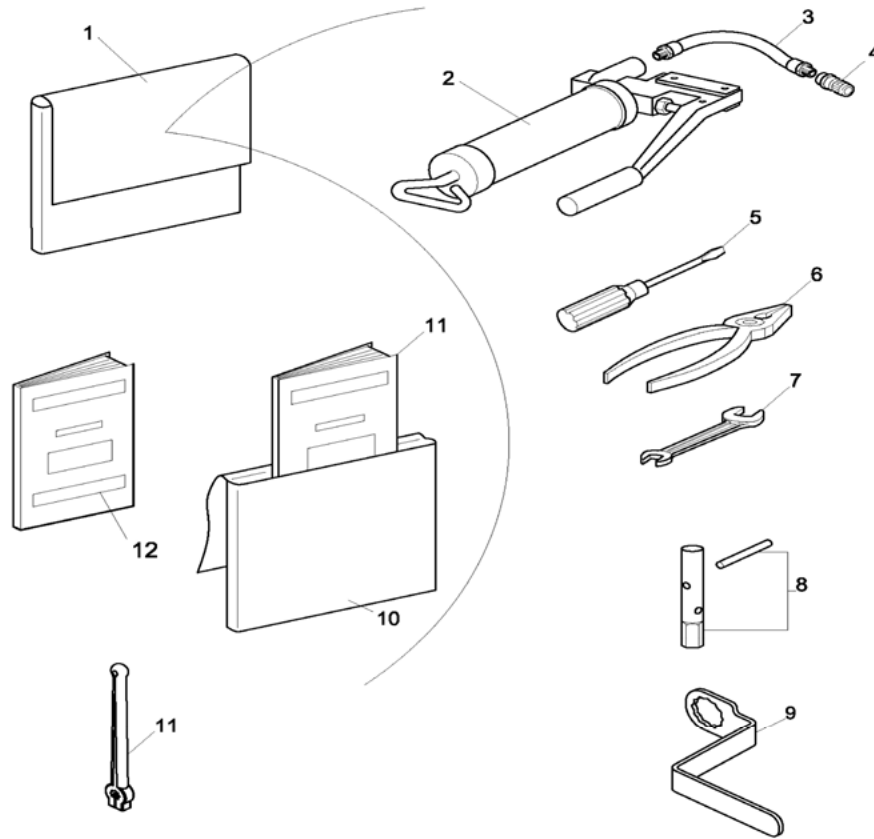
07-01 Decals: Undercarriage Parts List**SECTION 1
PARTS**

ITEM	PART #	DESCRIPTION	QTY
-	078331	AEC DECAL KIT	-

ITEM	PART #	DESCRIPTION	QTY
-	96070238	DECALS FOR UNDERCARRIAGE	-
1	03665027	PLATE	1
2	03665022	PLATE	1
3	03660170	PLATE	1
4	03660169	PLATE	1
5	03660229	PLATE	1
6	03666160	PLATE	1
7	03660213	STICKERS: DRIVER'S SEAT	1
8	03666162	PLATE	1
9	03666359	PLATE	1
10	03666101	PLATE	1
11	03660214	DECALS DRIVING PLACE	1
12	03666063	PLATE	2
13	03664402	PLATE	1
14	03664801	SERIAL NUMBER PLATE	1
15	03449900	PLATE	4
16	03660098	PLATE	1
17	03666024	PLATE	2
18	03660192	PLATE	2
19	03664875	MANUFACTURER'S PLATE	2
20	03665803	PLATE	1

SECTION 1 PARTS

Assembly, 07-02 Service Tools

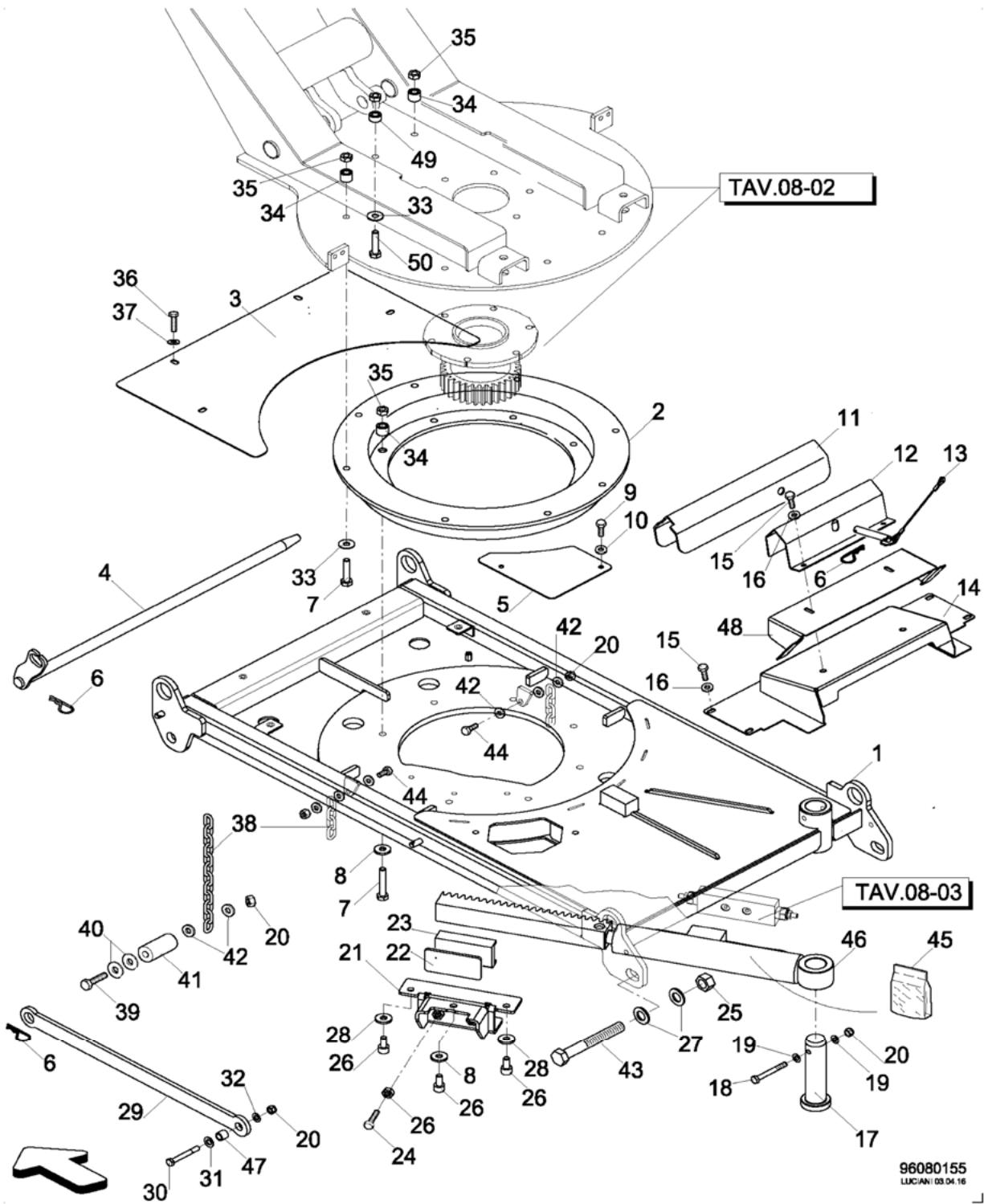


96070240
EUC/IAN 10 10 13

ITEM	PART #	DESCRIPTION	QTY
-	96070240	SERVICE TOOLS	-
1	03679000	HOLDER	1
2	03519600	GREASING PUMP	1
3	03519800	HOSE	1
4	03519900	HEAD	1
5	03572000	SCREWDRIVER	1
6	03572300	NIPPER	1
7	03570000	KEY 10-13 MM	1
8	99100028	KEY 13 MM	1
9	99100035	KEY	1
10	03679700	HOLDER	1
11	03672885	OPERATING MAINTENANCE	1
12	03679988	PARTS CATALOG	1

Assembly, 08-01 Bucket Frame

SECTION 1 PARTS



**SECTION 1
PARTS**

08-01 Bucket Frame Parts List

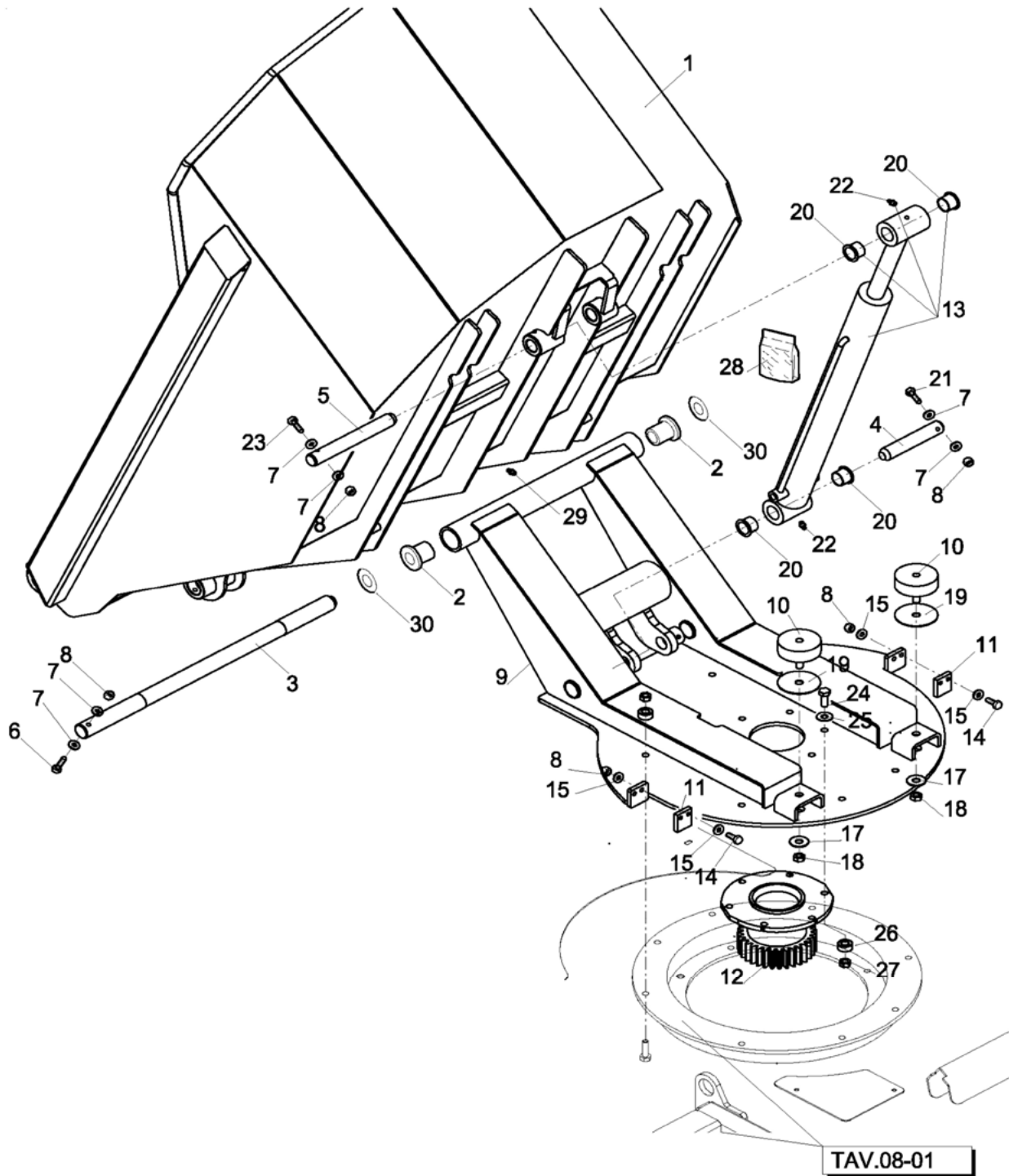
ITEM	PART #	DESCRIPTION	QTY
-	96080155	BUCKET FRAME	-
1	10012900	STEADY FRAME	1
2	45030044	BEARING DISK	1
3	30014677	CRANKCASE	1
4	45071318	PIN	1
5	10012918	DOOR	1
6	03739800	SPLIT PIN	3
7	03241000	SCREW	15
8	03386050	WASHER	9
9	03220601	SCREW	2
10	03383311	WASHER	2
11	99150038	SAFETY RAFTER	1
12	10012842	BEARING	1
13	99150026	PIN	1
14	30014680	CRANKCASE	1
15	03220610	SCREW	6
16	03383311	WASHER	6
17	45071316	PIN	1
18	03231501	SCREW	1
19	03385050	WASHER	2
20	03365101	NUT	2
21	45155438	SUPPORT	1
22	45155439	PLATE	1
23	45300076	GUIDE BLOCK	1
24	03245010	SCREW	2
25	03371110	NUT	2
26	03244810	SCREW	3
27	03390710	WASHER	4
28	03386300	WASHER	2
29	99150047	CONNECTING ROD	1
30	03230801	SCREW	1
31	03385401	WASHER	1
32	03385201	WASHER	1
33	03386300	WASHER	16

08-01 Bucket Frame Parts List Continued**SECTION 1
PARTS**

ITEM	PART #	DESCRIPTION	QTY
-	96080155	BUCKET FRAME	-
34	45020491	SPACER	15
35	03366300	NUT	16
36	03230510	SCREW	4
37	03385601	WASHER	4
38	45155442	CHAIN	2
39	03231501	SCREW	2
40	91221631	WASHER	4
41	45020413	SPACER	2
42	03385201	WASHER	10
43	03284001	SCREW	2
44	03230601	SCREW	2
45	72499852	GASKETS SET	1
46	03180073	CYLINDER	1
47	45020297	SPACER	1
48	30015034	PROTECTION	1
49	45020475	SPACER	1
50	03240802	SCREW	1

SECTION 1 PARTS

Assembly, 08-02 Bucket Tipping



96090156
LUCAS 17/03

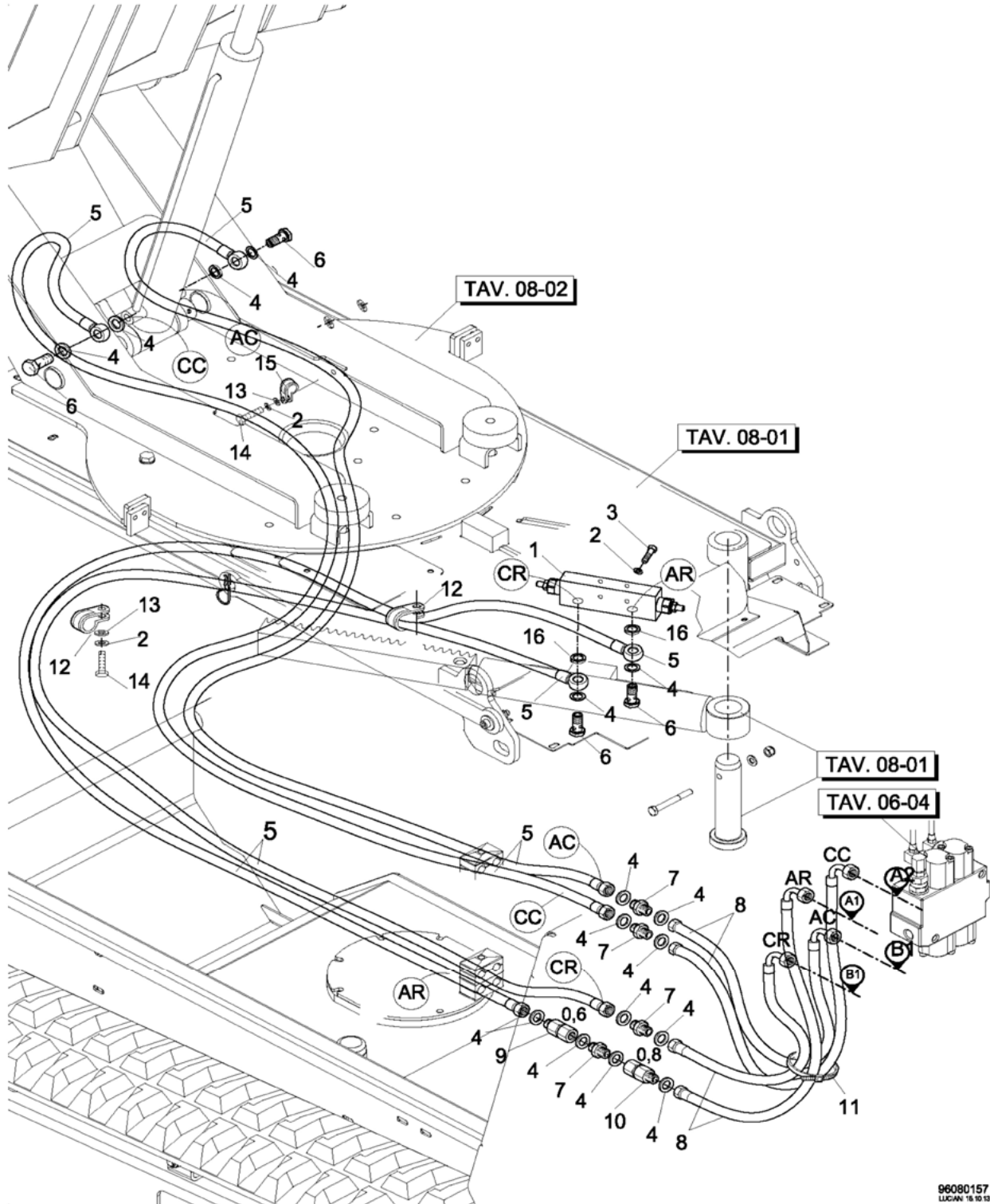
08-02 Bucket Tipping Parts List

SECTION 1 PARTS

ITEM	PART #	DESCRIPTION	QTY
-	96080156	BUCKET TIPPING ASSEMBLY	
1	078482	BUCKET, STEEL SWIVEL	1
2	33593670	BUSH	2
3	45071314	PIN	1
4	45071313	PIN	1
5	45071315	PIN	1
6	03221500	SCREW	1
7	03383202	WASHER	6
8	03364010	NUT	7
9	55020760	EVOLUTION FRAME	1
10	03520304	VIBRATION-DAMPING	2
11	45250025	RABBET	2
12	45060072	PINION	1
13	03181074	CYLINDER	1
14	03220800	SCREW	4
15	03383300	WASHER	8
16	03364010	NUT	4
17	03387051	WASHER	2
18	03367001	NUT	2
19	45020283	SPACER	2
20	33593618	BUSH	4
21	03221000	SCREW	1
22	03511200	LUBRICATOR	2
23	03221400	SCREW	1
24	03241000	SCREW	6
25	03386300	WASHER	6
26	45020475	SPACER	6
27	03366300	WASHER	6
28	72499853	GASKETS SET	1
29	03511100	LUBRICATOR	1
30	03424906	WASHER	2

SECTION 1 PARTS

Assembly, 08-03 Bucket Frame: Hydraulics



96080157
LUCIAN 16 10 13

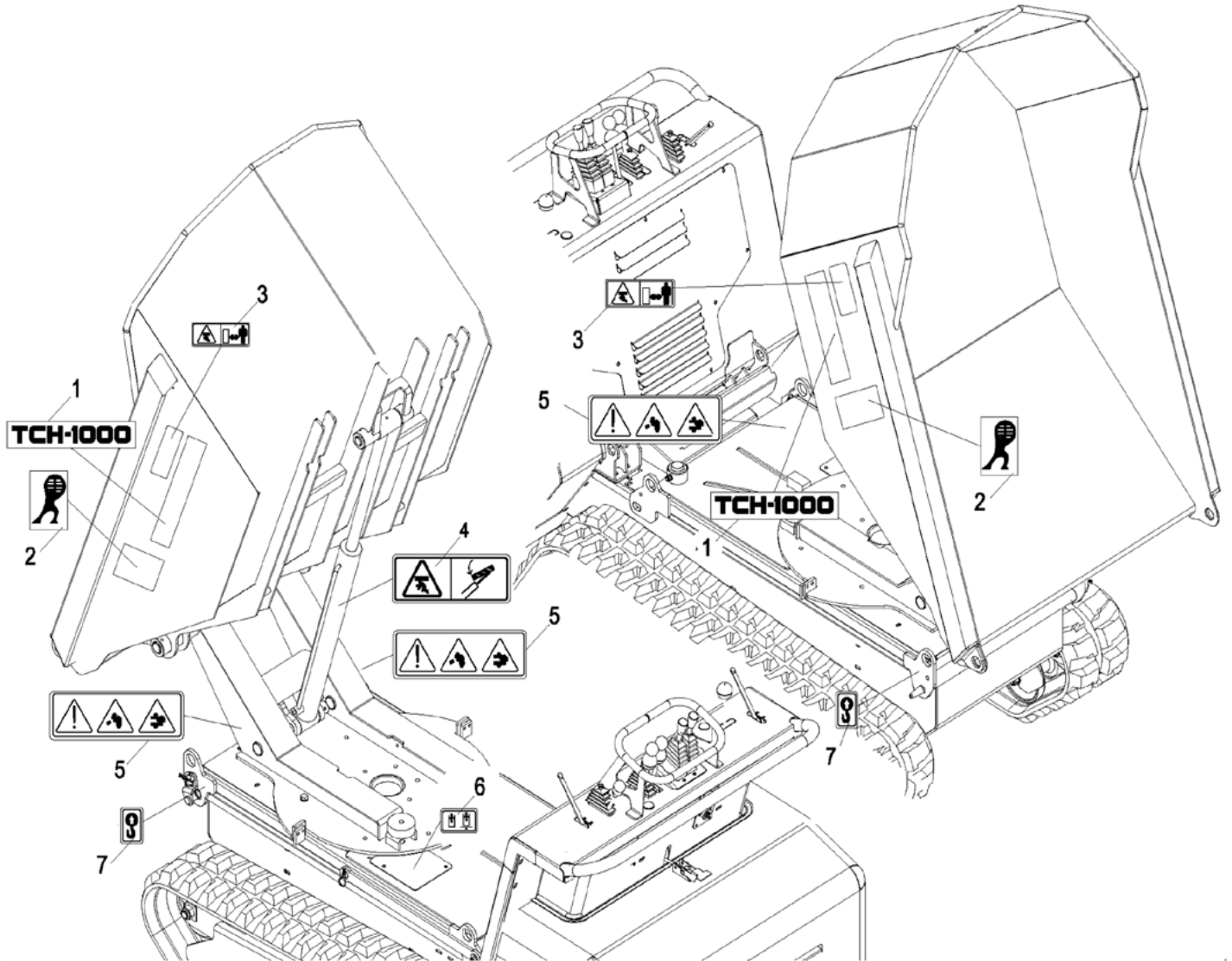
08-03 Bucket Frame: Hydraulics Parts List

SECTION 1 PARTS

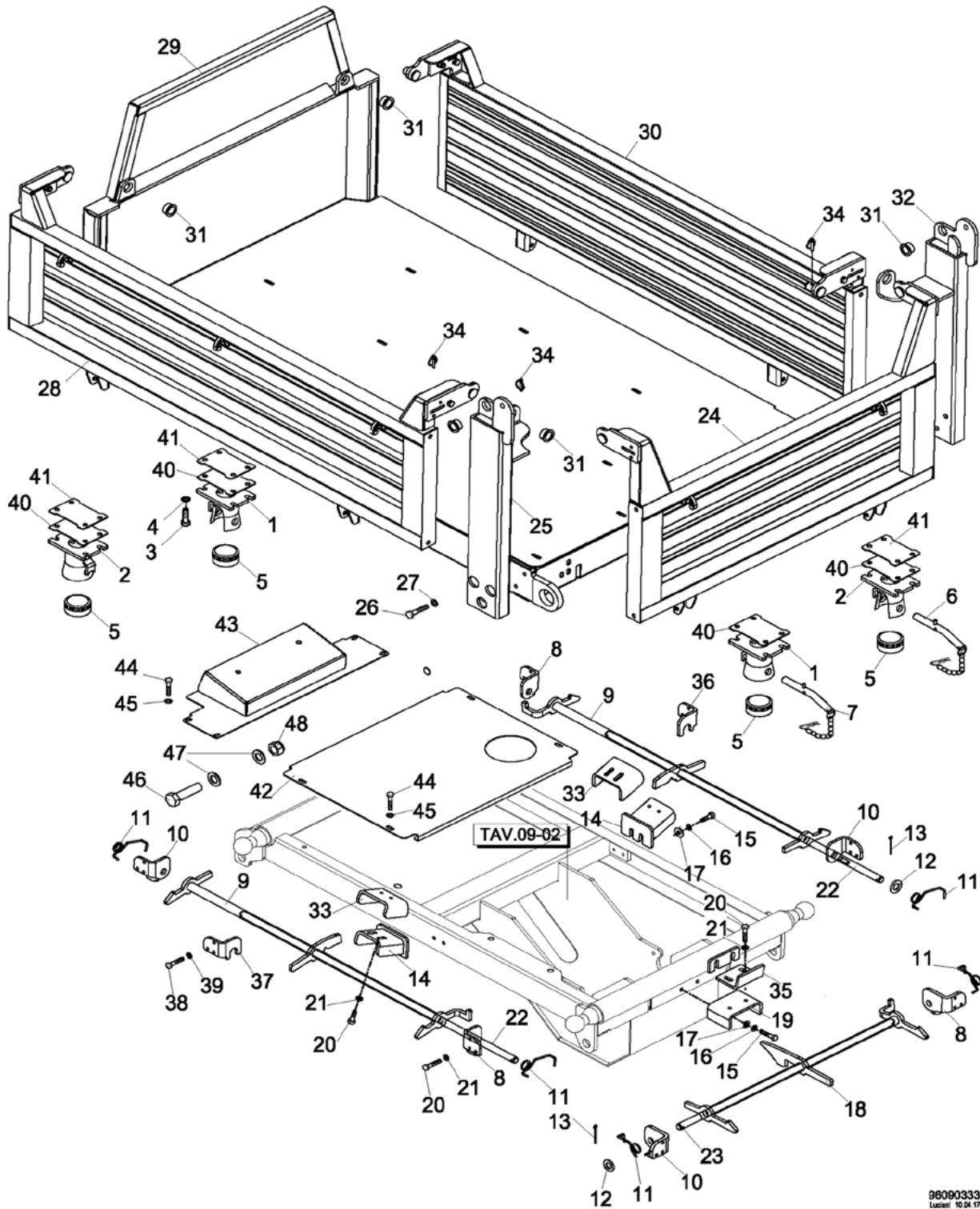
ITEM	PART #	DESCRIPTION	QTY
-	96080157	BUCKET FRAME HYDRAULICS	-
1	13843209	VALVE	1
2	03383000	WASHER	8
3	03220901	SCREW	4
4	03168500	GASKET	16
5	03112032	HOSE	4
6	03150006	SCREW	4
7	13152700	CONNECTOR	4
8	03111750	HOSE	4
9	13843507	VALVE	1
10	13843506	VALVE	1
11	13572201	CLAMP	1
12	13572428	COLLAR	1
13	03383201	WASHER	4
14	03225300	SCREW	4
15	13572414	COLLAR	2
16	03168510	GASKET	2

SECTION 1 PARTS

Assembly, 08-04 Bucket Frame: Decals



ITEM	PART NO.	DESCRIPTION	QTY
-	96080157	3 WAY BUCKET DECALS	-
1	03660123	MANUFACTURER'S PLATE	2
2	03660113	MANUFACTURER'S PLATE	2
3	03660098	PLATE	2
4	03660062	PLATE	1
5	03660099	PLATE	3
6	03660005	PLATE	1
7	03666024	PLATE	2



96090333
Lectra 10.04.17

**SECTION 1
PARTS**

**Assembly, 09-01 Tank with Trilateral Dumping Parts
List**

ITEM	PART NO.	DESCRIPTION	QTY
-	96090333	TANK WITH TRILATERAL DUMPING	-
1	13642406	ARTICULATION	2
2	13642407	ARTICULATION	2
3	03230601	SCREW	16
4	03385050	WASHER	16
5	13642404	PLUG	4
6	10013057	PIN	1
7	10013058	PIN	1
8	10013023	SUPPORT	2
9	10013029	HOOK	2
10	10013022	SUPPORT	2
11	03735002	SPRING	6
12	03389100	WASHER	6
13	03432900	SPLIT PIN	6
14	10013342	RABBET	2
15	03230601	SCREW	6
16	03385000	WASHER	6
17	03385601	WASHER	6
18	10013017	HOOK	1
19	10011750	RABBET	1
20	03230501	SCREW	24
21	03385050	WASHER	24
22	10011734	PIN	2
23	10013051	PIN	1
24	10013107	EDGE	1
25	10013101	POST	1
26	03244900	SCREW	6
27	03385050	WASHER	6
28	10013118	EDGE	1
29	10013123	TANK WITH TRILATERAL DUMPING	1
30	10013112	EDGE	1
31	33592604	BUSH	6
32	10013072	POST	1
33	10013343	RABBET	2
34	03403002	PIN	3
35	10011753	RABBET	1

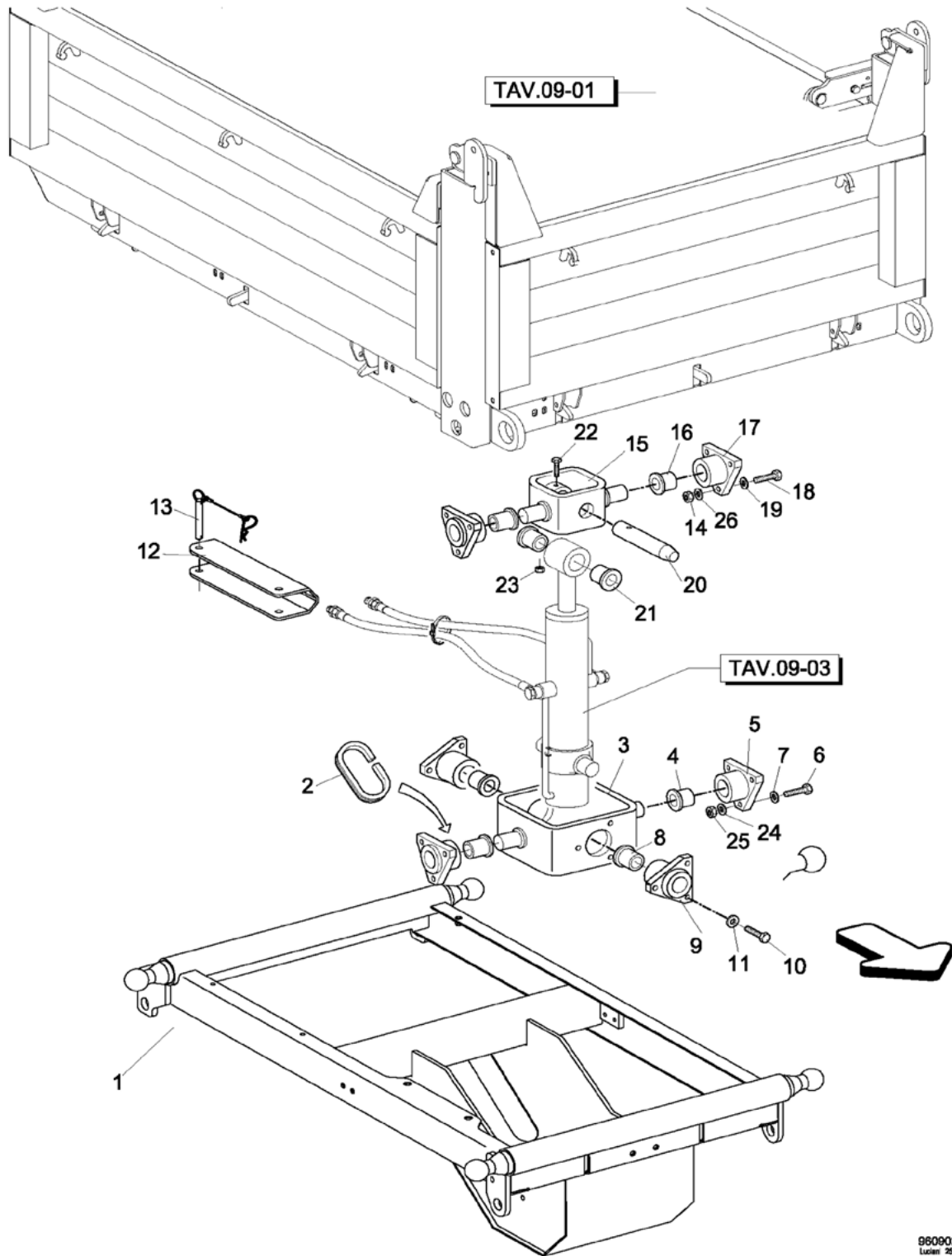
09-01 Tank with Trilateral Dumping Parts List Continued

SECTION 1 PARTS

ITEM	PART NO.	DESCRIPTION	QTY
36	10013025	SUPPORT	1
37	10013024	SUPPORT	1
38	03230501	SCREW	6
39	03385050	WASHER	6
40	10011897	SPACER	4
41	10011898	SPACER	4
42	30014863	CRANKCASE	1
43	30014680	CRANKCASE	1
44	03220610	SCREW	8
45	03383311	WASHER	8
46	03284001	SCREW	2
47	03391000	WASHER	4
48	03371110	NUT	2

SECTION 1 PARTS

Assembly, 09-02 Counter Frame



96090282
Lucini 25/02/15

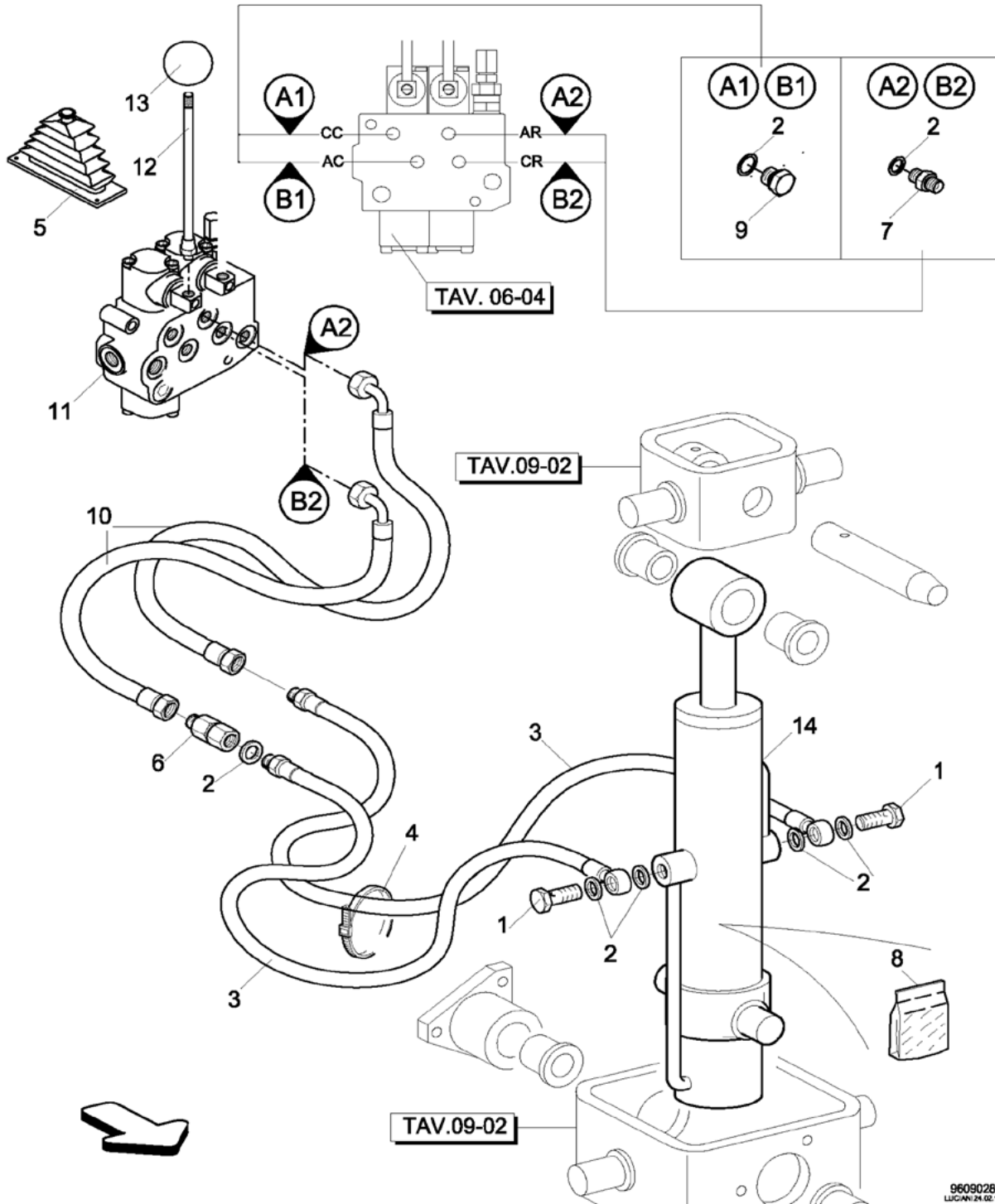
09-02 Counter Frame Parts List

SECTION 1 PARTS

ITEM	PART NO.	DESCRIPTION	QTY
-	96090282	COUNTER FRAME	-
1	10013000	COUNTER-FRAME	1
2	30320092	GASKET	1
3	45350005	SUPPORT	1
4	33593670	BUSH	2
5	45350010	BUSH	2
6	03230501	SCREW	6
7	03385050	WASHER	6
8	33593670	BUSH	2
9	45350007	BUSH	2
10	03230601	SCREW	6
11	03385050	WASHER	6
12	99150009	SAFETY RAFTER	1
13	99150005	LATCH	2
14	03365100	NUT	6
15	45350001	SUPPORT	1
16	33593670	BUSH	2
17	45350010	BUSH	2
18	03230501	SCREW	6
19	03385050	WASHER	6
20	45070886	PIN	1
21	33593670	BUSH	2
22	03221400	SCREW	1
23	03364010	NUT	1
24	03385201	WASHER	6
25	03365100	NUT	6
26	03385201	WASHER	6

SECTION 1 PARTS

Assembly, 09-03 Tank Oleodynamic System

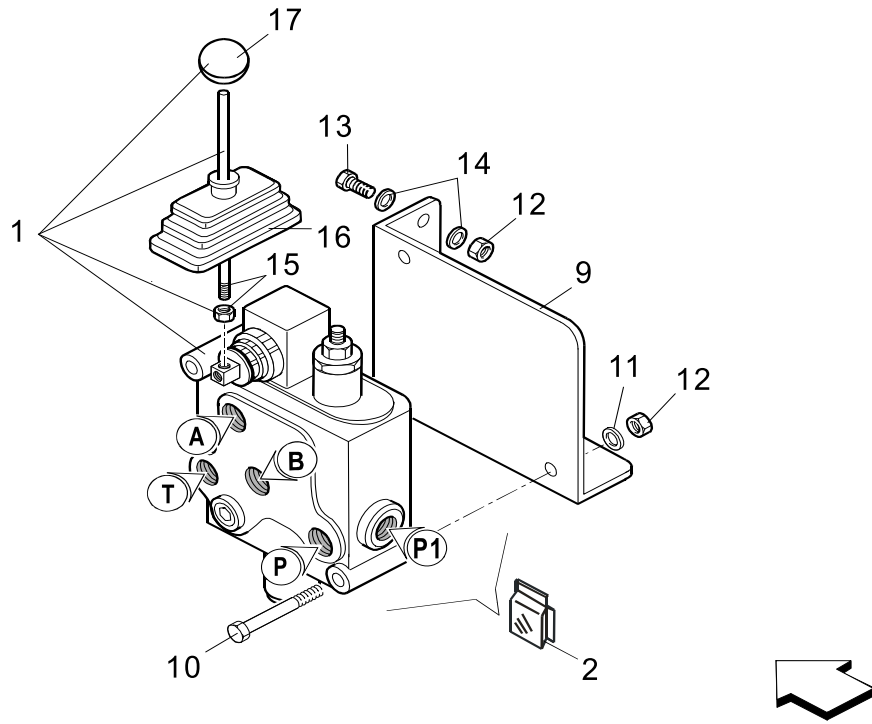


96090283
LUCIANI 24.02.16

ITEM	PART NO.	DESCRIPTION	QTY
-	96090283	TANK OLEODYNAMIC SYSTEM	-
1	03150006	GASKET	2
2	03160901	GASKET	7
3	03112102	PIPE	2
4	13572201	CLAMP	1
5	03581001	PROTECTION	1
6	13843502	VALVE	1
7	13152700	JUNCTION	2
8	72498060	GASKETS SET	1
9	13166010	PLUG	2
10	03111750	PIPE	2
11	13180503	DISTRIBUTOR	1
12	23150286	LEVER	1
13	03581403	BALL	1
14	03181041	CYLINDER	1

SECTION 1 PARTS

Assembly, 12-01 PTO Hyd System Main Valve



<p>(A)</p>	<p>(P T)</p>
<p>(B)</p>	<p>(P1)</p>

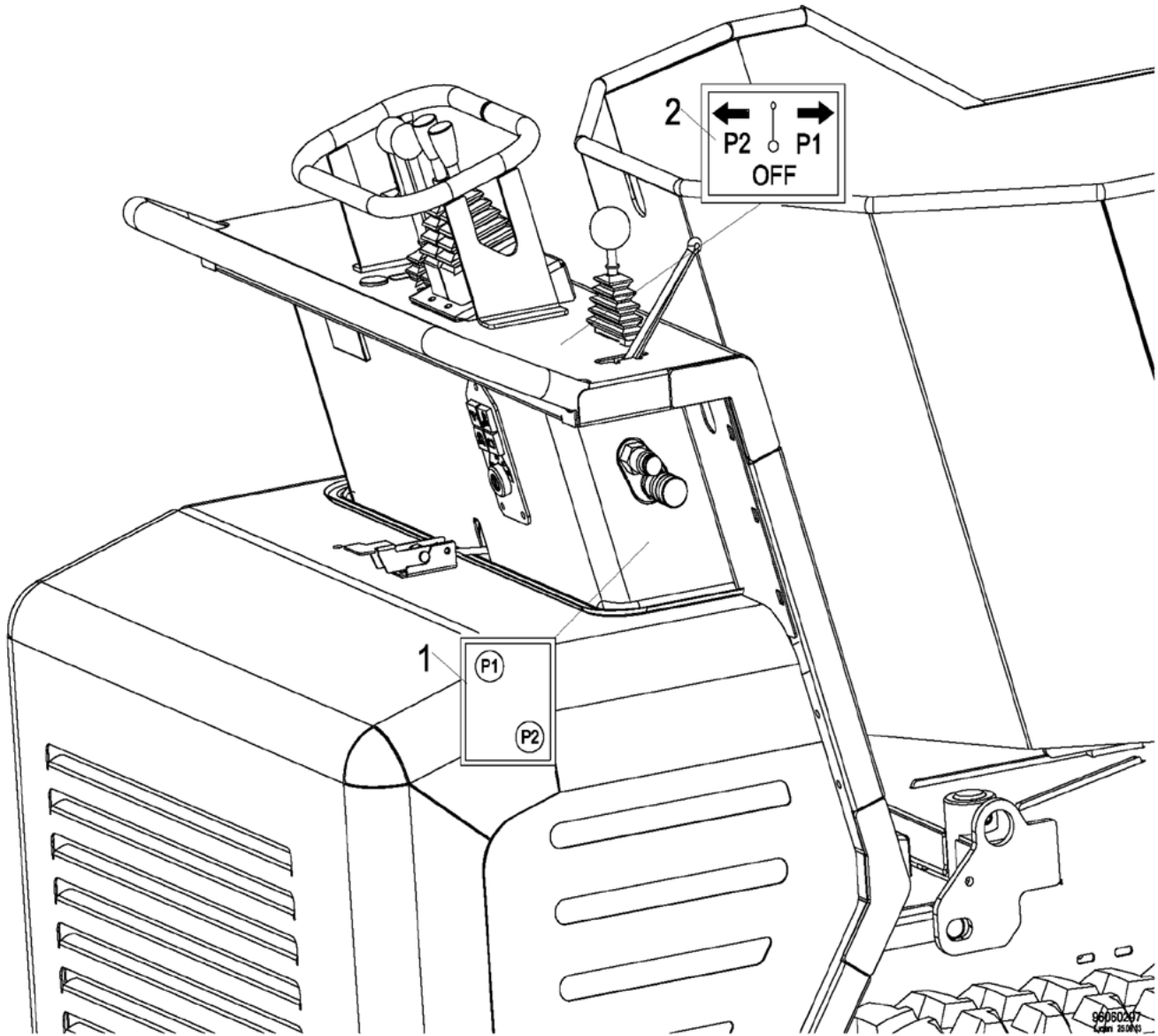
12-01 PTO Hyd System Main Valve Parts List

SECTION 1 PARTS

ITEM	PART NO.	DESCRIPTION	QTY
-	96120002	HYDRAULIC SYSTEM MAIN VALVE	-
1	13180028	DISTRIBUTOR	1
2	62497825	KIT SEALS	1
3	03168200	GASKET	5
4	03628010	CONNECTOR	2
5	13845015	QUICK COUPLING	1
6	13845017	QUICK COUPLING	1
7	13161203	CONNECTOR	2
8	13152800	CONNECTOR	1
9	45152763	SUPPORT	1
10	03231301	SCREW	2
11	03385201	WASHER	2
12	03365100	NUT	4
13	03230601	SCREW	2
14	03385401	WASHER	4
15	63187213	LEVER	1
16	03581001	PROTECTION	1
17	03581203	HANDGRIP	1

**SECTION 1
PARTS**

Assembly, 12-03 PTO Decals



ITEM	PART NO.	DESCRIPTION	QTY
-	96120016	DECALS FOR POWER TAKE OFF	-
1	03666210	PLATE	1
2	03666209	PLATE	1

MANUAL REVISION DETAIL

REVISION #	REVISION DATE	REVISION REFERENCE #	REVISION BY
-	05/24	Initial Release	MK
A	12/25	Added additional illustrations	MK

Copyright © 2024 Allen Engineering Corporation
All rights reserved

All information, specifications, and illustrations in this manual are subject to change without notice and are based on the latest information at the time of publication. No part of this manual may be reproduced or transmitted in any form or by any means, electronics or mechanical, for any purpose, without the express written permission of Allen Engineering Corporation (AEC). AEC assumes no responsibility or liability for any errors or inaccuracies that may appear in this manual.

Allen Products are covered under one or more of the following patent numbers:
10,100,537; 9,068,301; 9,068,300; 8,360,680; 7,690,864; 7,114,876B1; 6,857,815B2; 6,582,153
With other Patents Pending.

Printed in U.S.A.



AEC FACTORY & HEADQUARTERS

819 S. 5TH STREET
PARAGOULD, ARKANSAS 72450
870.236.7751
800.643.0095 (TOLL FREE (USA ONLY))

MAILING

PO BOX 819
PARAGOULD, ARKANSAS 72451

ALLENENG.COM

CONNECT WITH US ON SOCIAL

