

BRIDGE DECK FINISHERS

BDF6048B



PARTS & DECALS MANUAL

Manual Part #: 053016P | Revision: F
Language: English | Original Instructions



ALLEN
CONCRETE PAVERS

SECTION 1 INTRODUCTION

Table of Contents

Sect No.	Title	Page
1	Introduction	2
	Table of Contents.....	2
2	Parts	4
	Lower Carriage Assembly - 051240.....	4
	Auger Adjustment Assembly	6
	Carriage Wheel Assembly	7
	Top Carriage Assembly	8
	Drag Pan Assembly.....	10
	Roller Tamper Assembly	12
	Middle Carriage Assembly - 051239.....	14
	Carriage Fuel Tank Assembly.....	16
	Carriage Hydraulic Tank Assembly.....	17
	Carriage Fog Bar Assembly - 050749	18
	Skew Bar Assembly	20
	Skew Bar Sub-Assembly.....	21
	Crown Skew Brace Assembly: 3', 4', & 6'	22
	Crown Skew Brace Assembly, 5'	23
	Crown Skew Brace Assembly, 7'	24
	Carriage Shifting Mechanism Assembly	25
	Switch Slide Assembly.....	27
	Cam Follower Assembly.....	28
	Beacon Light Assembly (Updated).....	29
	Beacon Light Assembly, 069249 (OLD)	30
	Target Assembly	31
	Ladder Assembly	32
	6" Jack Swing Out Assembly (For Rigid Brkt Only).....	34
	6" Jack Swing Out Assembly (for Pivot Brkt Only).....	35
	6" Rigid Jack Plate Assembly	36
	6" Pivot Jack Plate Assembly	38
	6" Power Jack Assembly	40
	Leg Brace Assembly	42
	Idler Bogie Assembly	43
	Driver Bogie Assembly.....	44
	Idle End Chain Mount Assembly, 052512.....	46
	Drive End Chain Mount Assembly, 052513, Old	47
	Drive End Chain Mount Assembly, 052513, Updated	48
	Skew Brace Assembly	50
	18' Idle End Frame Assembly - 052442.....	52
	18' Idle End Assembly - 052442.....	53
	Upper Fog System Assembly	54
	Power Unit Assembly - 052529	56
	18' Drive Frame Assembly - 052515	58
	15' Frame Assembly - 051568	60
	12' Frame Assembly - 051569	62
	12' Frame Assembly - 051569	63
	12' Drive Frame Assembly - 052606	64
	12' Idle Frame Assembly - 052605.....	66
	6' Frame Assembly - 056703	68
	4' Frame Assembly - 051571	70

Sect No.	Title	Page
	3' Frame Assembly - 061456	72
	Mainframe Hydraulic Schematic	74
	Carriage Hydraulic Schematic	76
	Manual Crown Kit Assembly	78
	Power Crown Kit (Option) 052559	80
	Dual Drag Pan Assembly (Option)	82
	Mainframe Hydraulic Tank Assembly	83
	Mainframe Fuel Tank Assembly	84
	Boggie Wheel Options	85
	15' Transition Assembly - 058970	86
	15', 66" Frame Assembly - 058983	88
	6', 66" Frame Assembly - 058975	90
	Spare Engine Kit, Gasoline	92
	Optional Toolkit	93
3	Decals	94
	Decals, BDF6048B	94
A	Addendum A Parts	
	Kubota Engine Assembly- 058988	99
	Kubota Power Unit Assembly- 065090	102
	Kubota Carriage Power Unit Assembly- 065086	105
	Revision Detail	109

ALL INFORMATION, SPECIFICATIONS, AND ILLUSTRATIONS IN THIS MANUAL ARE SUBJECT TO CHANGE WITHOUT NOTICE AND ARE BASED ON THE LATEST INFORMATION AT THE TIME OF PUBLICATION.

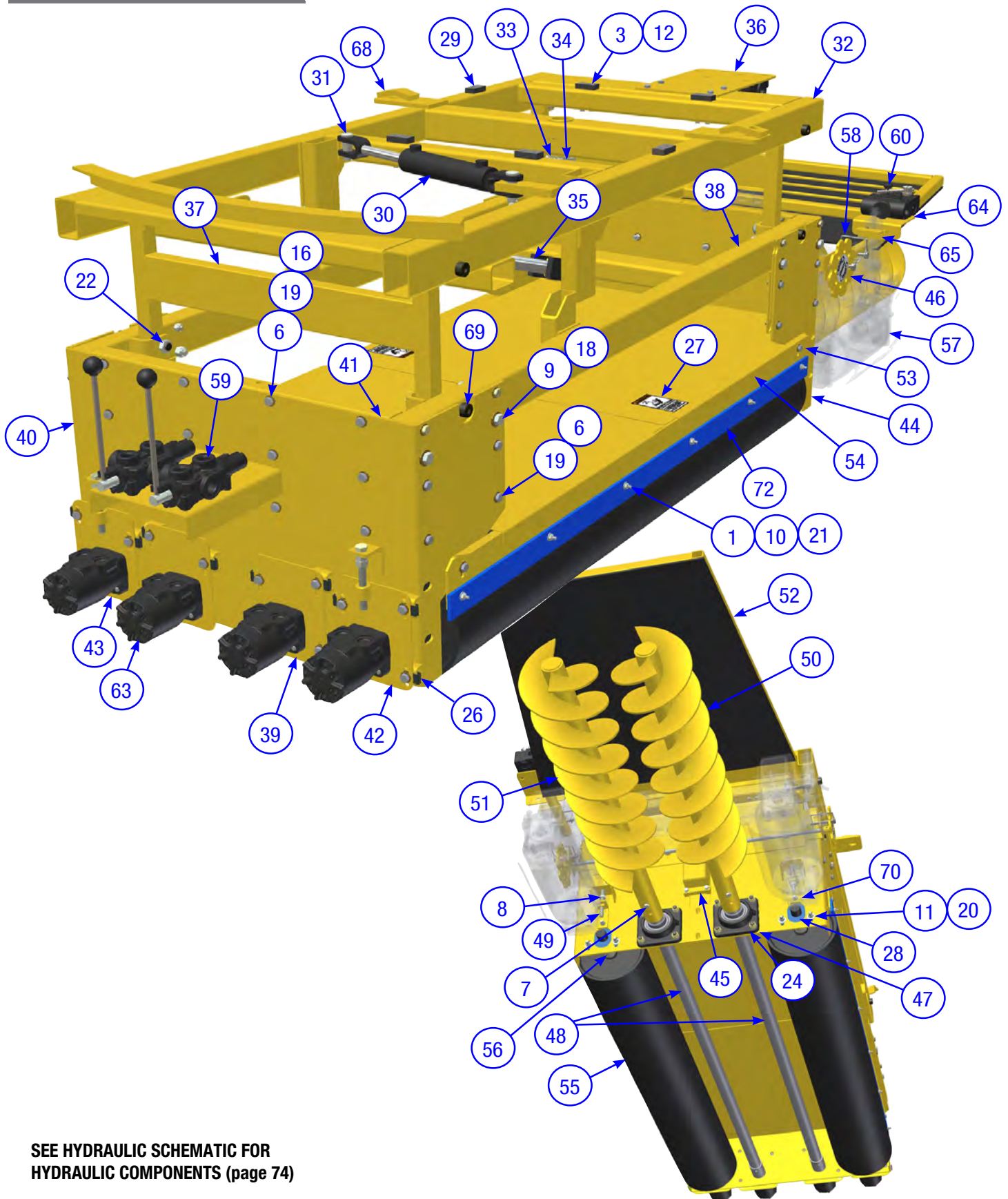
The "PARTS MANUAL" contain illustrated parts lists for help in ordering replacement parts for your machine. Follow the instructions below when ordering parts to insure prompt and accurate delivery:

1. All orders for service parts - include the serial number for the machine. Shipment will be delayed if this information is not available.
2. Include correct description and part number from the "PARTS & DECALS MANUAL"
3. Specify exact shipping instructions, including the preferred routing and complete destination address.
4. **DO NOT** return parts to AEC without receiving written authorization from AEC. All authorized returns must be shipped pre-paid.
5. When placing an order, please contact the AEC dealer nearest you.

Allen Engineering offers a limited Two year warranty on all products. Please see the "Safety and Operations Manual" for full warranty details.

SECTION 2 PARTS

Lower Carriage Assembly - 051240



SEE HYDRAULIC SCHEMATIC FOR
HYDRAULIC COMPONENTS (page 74)

Lower Carriage Assembly - 051240

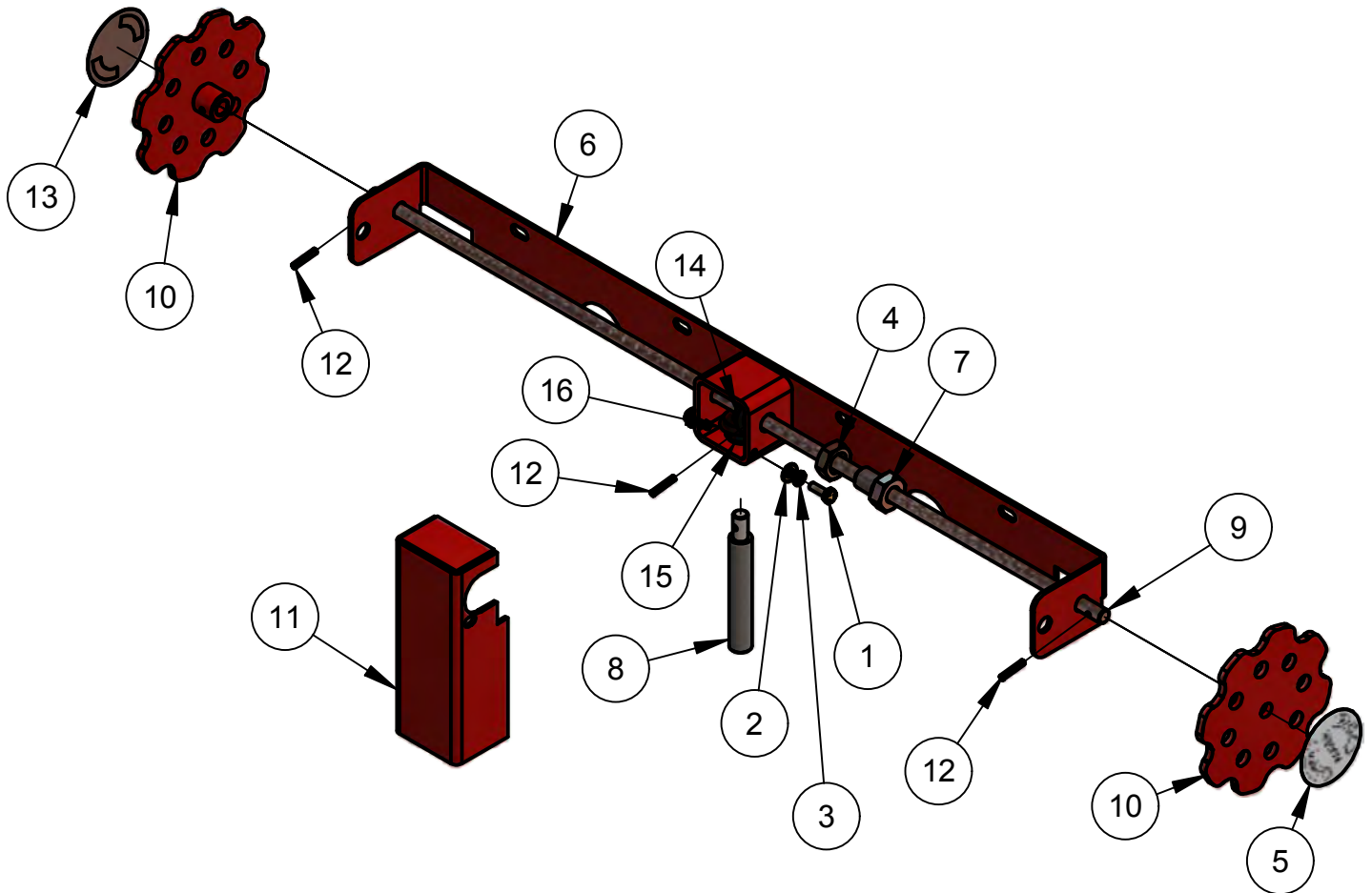
SECTION 2 PARTS

ITEM	PART #	DESCRIPTION	QTY
1	010003	FSTN, HHCS 1/4-20 X 1	12
2	010009	FSTN, HHCS 1/4-20 X 2 1/2	8
3	010013	FSTN, HHCS 1/4-20 X 3 1/2" GR5 ZINC	4
4	010021	FSTN, HHCS 5/16-18 X 1-1/4 GR5	2
5	010036	FSTN, HHCS 3/8-16 X 1	36
6	010037	FSTN, HHCS 3/8-16 X 1-1/4 GR 5	38
7	010043	FSTN, HHCS 3/8-16 X 2-3/4	2
8	010050	FSTN, NUT HEX JAM 1/2-13	2
9	010076	FSTN, HHCS 1/2-13 X 3 GR 5	8
10	010081	FSTN, FW 1/4	12
11	010083	FSTN, FW 3/8	4
12	010089	FSTN, LW 1/4	12
13	010090	FSTN, LW 5/16	2
14	010091	FSTN, LW 3/8	16
15	010106	FSTN, NUT HEX 1/2-13	4
16	010464	FSTN, NUT NYLOK 3/8-16	56
17	011238	FSTN, NUT HEX NYLOK 1/2-13	8
18	011490	FSTN, FW HARDENED 1/2	8
19	017751	FSTN, FW HARD A325 3/8	102
20	020514	FSTN, NUT STOVER LOCK 3/8-16	6
21	020542	FSTN, NUT STOVER LOCK 1/4-20	12
22	025888	FSTN, JAM NUT HEX 5/8-11	8
23	028216	FSTN, CABLT 1/2-13 X 1-1/2 GR8	8
24	029223	BEARING, 1 3/4" 4 BOLT FLANGE	2
25	040663	FSTN, HHCS 3/8-16 X 3 GR8	8
26	047548	FSTN, 3/8-16 PAL SNAP NUT	12
27	069196	DECAL, WARNING CRUSHING HAZARD	2
28	050235	BEARING, 3 BOLT FLANGE 1 1/4"	2
29	050265	WEAR STRIP COMPOSITE CARRIAGE CLAMP 6048	6
30	050303	CYLINDER, SKEW FOR BRIDGE DECK PAVER	1
31	050304	CLEVIS PIN 3/4" X 2" LONG	2
32	050320	LOWER MIDDLE CARRIAGE FRAME WELDMENT	1
33	050323	WASHER, 1.500 I.D. X 2.250 O.D. CARRIAGE PIVOT PIN	1
34	050324	FSTN, NUT, HEX, HEAVY SLOTTED , 1 1/2-12 UNF	1
35	050326	CYLINDER, CARRIAGE LIFT	1
36	050329	PLATE, VALVE MNT. CARRIAGE LIFT	1
37	050333	HINGE, CARRIAGE LIFT	2

ITEM	PART #	DESCRIPTION	QTY
38	050340	BOTTOM CARRIAGE WELDMENT	1
39	050343	HYD. MOTOR PLATE, AUGER & FINISH TUBES	2
40	050345	REAR CHANNEL MNT WELDMENT, FOR LOWER CARRIAGE ASSEMBLY	1
41	050346	SPACER PLATE FOR BOTTOM CARRIAGE BDF	4
42	050348	MOUNT, HYD LEFT HAND FINISH TUBE MOTOR BDF CARRIAGE	1
43	050349	MOUNT, HYD RH FINISH TUBE MOTOR BDF CARRIAGE	1
44	050353	FRONT PLATE OUTER WELDMENT, 6048/ BRF CARRIAGE ASSEMBLY	1
45	050357	BAR, HOLD DOWN AUGER ADJUST	1
46	050368	AUGER ADJUST GEAR ASSEMBLY	1
47	050369	AUGER TEE MOUNT 6048B	1
48	050373	SHAFT, 6048 AUGER DRIVE	2
49	050375	FSTN, HHCS1/2-13 X 4 1/2 BOLT TAP GRADE 8 ZIC PLATED	4
50	050379	AUGER RH, 6048B WELDMENT	1
51	050380	AUGER LH, 6048B WELDMENT	1
52	050392	AUGER COVER ASSEMBLY BDF CARRIAGE	1
53	050393	TUBE SCRAPPER 6048B CARRIAGE	2
54	050394	COVER, LOWER CARRIAGE 6048B	2
55	050396	FINISH TUBE FOR 6048 BDF	2
56	050397	TUBE SPACER, FOR FINISH TUBES	2
57	050420	ROLLER TAMPER ASSEMBLY	1
58	050443	3/8 X 2-3/4 Quick Pin	5
59	050450	VALVE, FINISH TUBES A0100T4LD	3
60	050451	FLOW CONTROL, (FC-10SAE)	1
61	050454	CARTRIDGE, CHECK (MODULAR CV1-10P015)	1
62	050456	CARTRIDGE, CHECK	1
63	050464	HYD MOTOR	4
64	050489	BRACKET, FLOW CONTROL FOR ROLLER TAMPER	1
65	050490	ANGLE, FLOW CONTROL MNT FOR ROLLER TAMPER	1
66	050491	FST, CARRIAGE BOLT 3/8-16 X 1 1/2"	6
67	050492	FSTN, SPLIT LOCK NUT 1/2-13	8
68	050815	TAB, HOLD DOWN CARRIAGE ASSEMBLY	2
69	050874	FSTN, SHLDR 3/4 X 3 1/2" LONG	8
70	050942	BRACKET, TUBE ADJUST 4836&6048 CARRIAGE	2
71	050985	PIN, CLEVIS FOR LIFT CYL. PIN, Ø1" x 3"	2
72	051241	SCRAPER TIVAR FOR 4836B CARRIAGE	2

SECTION 2 PARTS

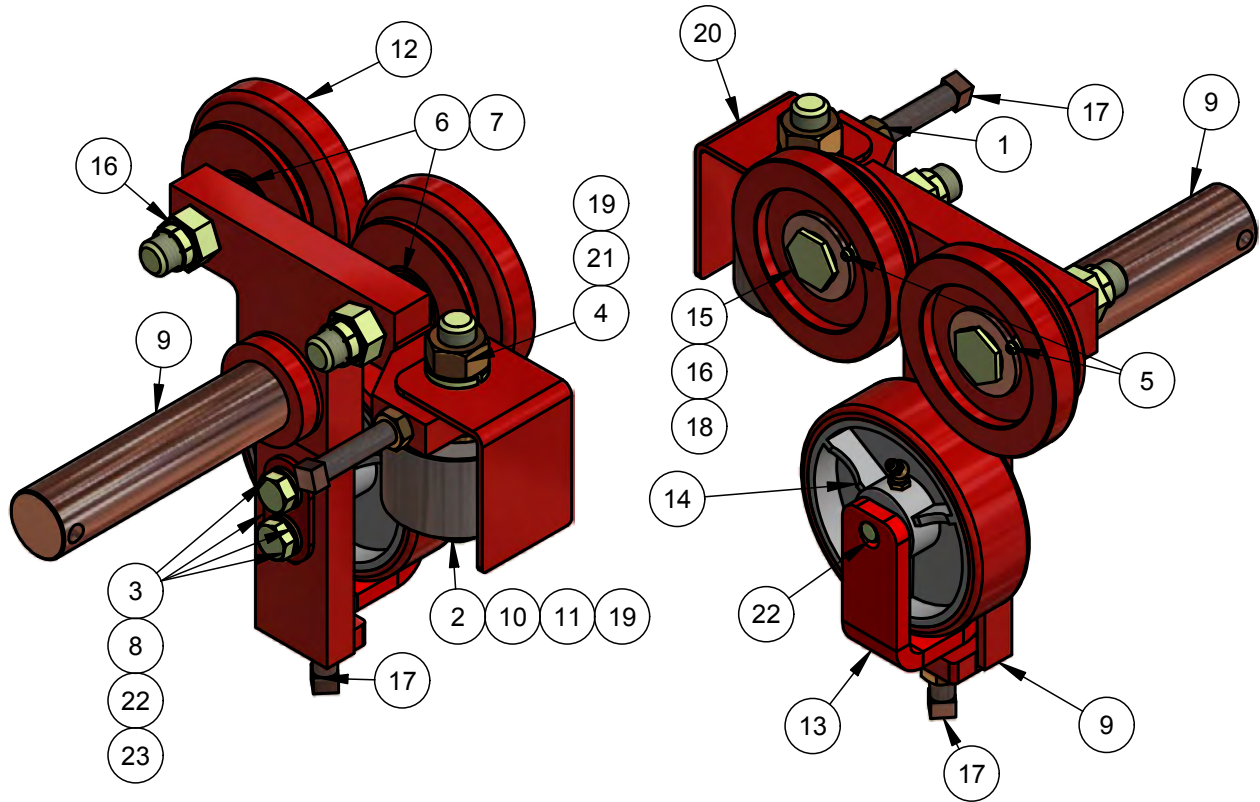
Auger Adjustment Assembly



ITEM	PART #	DESCRIPTION	QTY
-	050368		-
1	010002	FASTENER, BOLT, HHCS 1/4"-20 X 3/4"	2
2	010081	FASTENER, FLAT WASHER, 1/4"	2
3	010089	FASTENER, LOCK WASHER, 1/4"	2
4	035565	FASTENER, JAM NUT 3/4-10	1
5	069148	DECAL, AUGER RAISE LOWER	1
6	050360	AUGER ADJUST BRACKET FOR CARRIAGE ASSEMBLY	1
7	050361	BOLT CARRIAGE LIFT TENSION BOLT	1
8	050363	SHAFT, ACME FOR AUGER ADJUST ASSEMBLY	1
9	050364	ROD, AUGER ADJUST SHAFT BDF CARRIAGE	1
10	050367	KNOB, AUGER ADJUST BDF CARRIAGE	2
11	050401	COVER FOR AGUGER ADJUST	1
12	050676	PIN, ROLL 3/16 X 1-3/8 SPIROL	4
13	069224	DECAL, RH AUGER RAISE LOWER	1
14	050866	GEAR MITER 20 DEGREE 12 PITCH 1/2 BORE FOR 4836 & 6048B	1
15	050867	FLANGED BUSHING BEARING, AUGER LIFT DRIVE SYSTEM FF609-1	1
16	050992	HORIZONTAL GEAR MITER 20 DEGREE 12 PITCH 1/2 BORE FOR 4836 & 6048B	1

Carriage Wheel Assembly

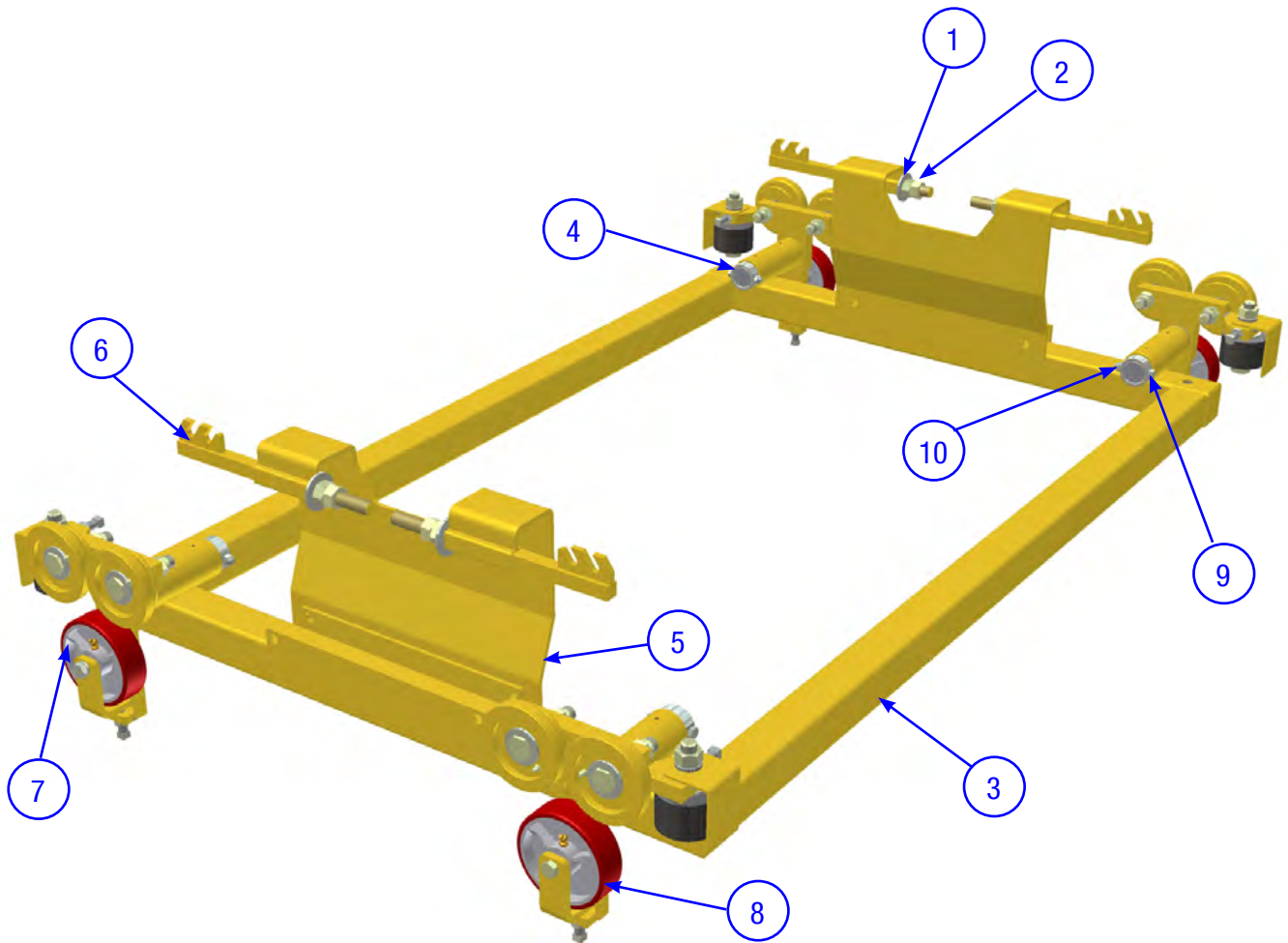
SECTION 2 PARTS



ITEM	PART #	DESCRIPTION	QTY
-	050240	ASSEMBLY, CARRIAGE WHEEL & BRACKET, LEFT HAND	-
-	050241	ASSEMBLY, CARRIAGE WHEEL & BRACKET, RIGHT HAND	-
1	010050	FASTENER, NUT HEX JAM 1/2-13	2
2	010074	FASTENER, HHCS 1/2-13 X 2-3/4	1
3	010085	FASTENER, FLAT WASHER, 1/2"	1
4	010087	FASTENER, FLAT WASHER, 3/4"	2
5	010093	FASTENER, LOCK WASHER, 1/2"	2
6	010112	FASTENER, NUT HEX 3/4-10	1
7	010513	FITTING, 1/4-28 STR GREASE	2
8	018097	FASTENER, LOCK WASHER, 3/4"	1
9	035205	BEARING, MR16 MCGILL	2
10	035206	RACE, IR1220 MCGILL	2
11	043444	FASTENER, HHCS 1/2-13 X 1 GRADE 8	1
12	050221	LEFT HAND CARRIAGE WHEEL TROLLEY	1
	050222	RIGHT HAND CARRIAGE WHEEL TROLLEY	1
13	050223	ROLLER, SIDE FOR CARRIAGE WHEEL TROLLEY	1
14	050224	SPACER TUBE, SIDE ROLLER FOR CARRIAGE WHEEL TROLLEY	1
15	050225	WHEEL, CARRIAGE TRACK	2
16	050228	SIDE CARRIAGE WHEEL & BRACKET ASSEMBLY	1
17	050230	SIDE ROLLER WHEEL FOR CARRIAGE	1
18	050231	BOLT, CARRIAGE WHEEL BRIDGE DECK	2
19	050232	FASTENER, SPLIT LOCK NUT 3/4-10 GR 5	2
20	050233	FASTENER, SQSS (SQ. HEAD SET SCREW) 1/2-13 X 2" LONG	2
21	050236	FASTENER, FLAT WASHER LARGE 3/4"	2
22	050237	FASTENER, HHCS 3/4-10 X 4 1/2" GRADE 8 ZINC	1
23	050765	GUARD, FOR CARRIAGE SIDE ROLLER	1

**SECTION 2
PARTS**

Top Carriage Assembly



**SEE HYDRAULIC SCHEMATIC FOR
HYDRAULIC COMPONENTS (page 74)**

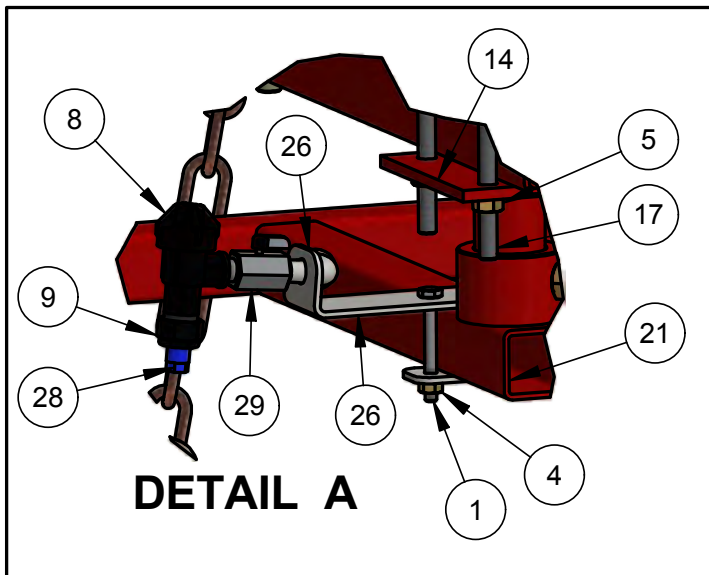
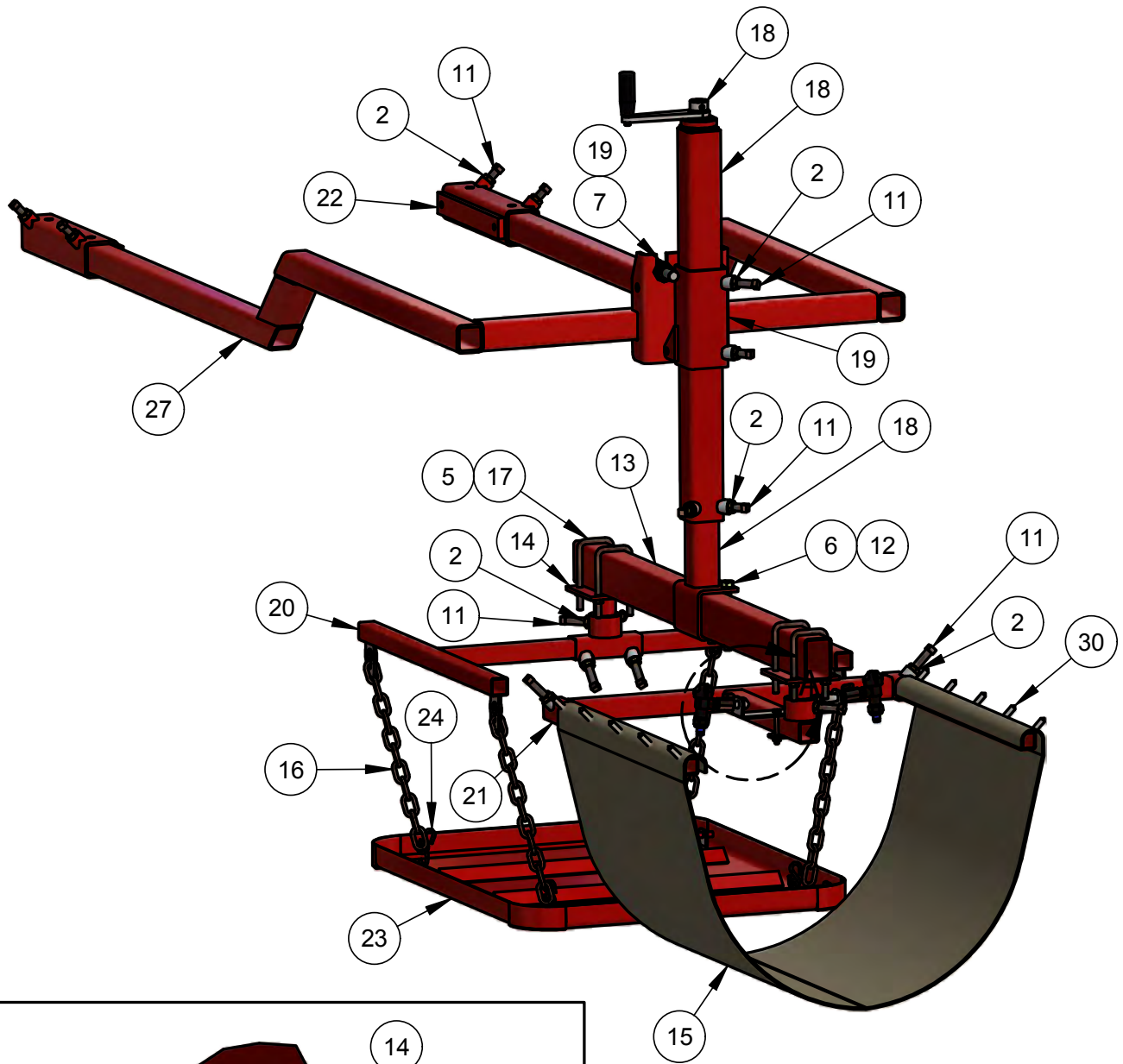
Top Carriage Assembly

SECTION 2 PARTS

ITEM	PART #	DESCRIPTION	QTY
-	051238	ASSEMBLY, CARRIAGE TOP 6048BDF	-
1	010087	FSTN, FW 3/4	4
2	010112	FSTN, NUT HEX 3/4-10	8
3	050201	CARRIAGE TOP BRIDGE DECK FINISHER	1
4	050209	KEEPER, FOR CARRIAGE WHEEL TO TOP CARRIAGE	4
5	050212	CHAIN TENSIONAR BRACKET	2
6	050215	CHAIN ADJUSTER	4
7	050240	LEFT HAND CARRIAGE WHEEL & BRACKET ASSEMBLY	2
8	050241	RH HAND CARRIAGE WHEEL & BRACKET ASSEMBLY	2
9	010042	FSTN, HHCS 3/8-16 X 2-1/2 GR 5	4
10	020514	FSTN, NUT STOVER LOCK 3/8-16	4

SECTION 2 PARTS

Drag Pan Assembly



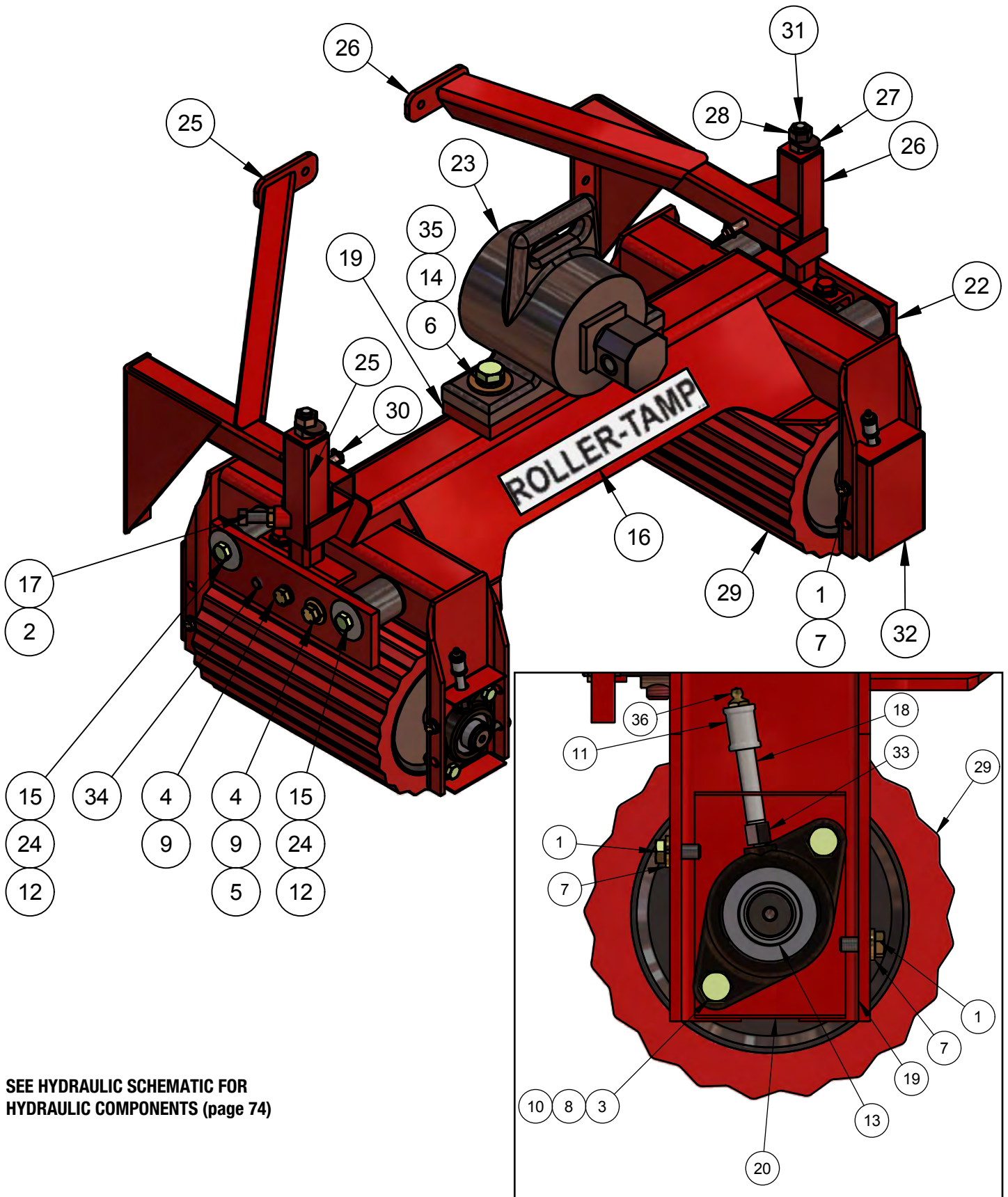
Drag Pan Assembly

SECTION 2 PARTS

ITEM	PART NO.	DESCRIPTION	QTY
-	051237	Assembly, Drag Pan	-
1	010008	FASTENER, HHCS 1/4-20 X 2-1/4 GR 5	2
2	010050	FASTENER, NUT HEX JAM 1/2-13	16
3	010089	FASTENER, LW 1/4	2
4	010098	FASTENER, NUT HEX 1/4-20	2
5	010102	FASTENER, NUT HEX 3/8-16	8
6	033771	FASTENER, HHCS 1/2-13 X 4 1/2" GR 5	2
7	035565	FASTENER, JAM NUT 3/4-10	8
8	041604	VALVE, CHECK BODY	2
9	041624	RETAINER, NYLON SPRAY TIP	2
10	047579	STRAINER, POLY 100 μ MESH	2
11	050233	FASTENER, SQSS (SQ. HEAD SET SCREW) 1/2-13 X 2" LONG	16
12	050492	FASTENER, SPLIT LOCK NUT 1/2-13	2
13	050495	DRAG PAN TUBE, BRIDGE DECK	1
14	050498	DRAG PAN RET. BRACKET	2
15	050680	BURLAP CUT FOR DRAG PAN ASSEMBLY BRIDGE DECK	1
16	050682	CHAIN, CUT TO SIZE DRAG PAN ASSEMBLY 20" LONG	4
17	050885	U BOLT SQUARE 2" WIDE	4
18	050900	JACK ASSEMBLY, DRAG PAN	1
19	050904	RECIEVER TUBE WELDMENT FOR DRAG PAN JACK	1
20	050910	HANGER, DRAG PAN	1
21	050914	HANGER BRACKET FOR BURLAP	1
22	050923	RECIEVER TUBE WELDMENT DRAG PAN	2
23	050937	DRAG PAN WELDMENT	1
24	050943	S HOOK #117 3/16" DIA.	4
25	050958	PLATE, CLAMP FOR SPRAY NOZZLE BRACKET BURLAP	1
26	050961	BRACKET, SPRAY FOR BURLAP	1
27	050980	DRAG PAN MNT FRAME 4836B	1
28	051286	TIP, SPRAY TXV-S1	2
29	053024	1/4" NPT BALL VALVE, MINATURE CHROME PLATE FEMALE TO MALE	2
30	059728	SPIKED BURLAP DRAG TUBE BDF	2

SECTION 2 PARTS

Roller Tamper Assembly



SEE HYDRAULIC SCHEMATIC FOR
HYDRAULIC COMPONENTS (page 74)

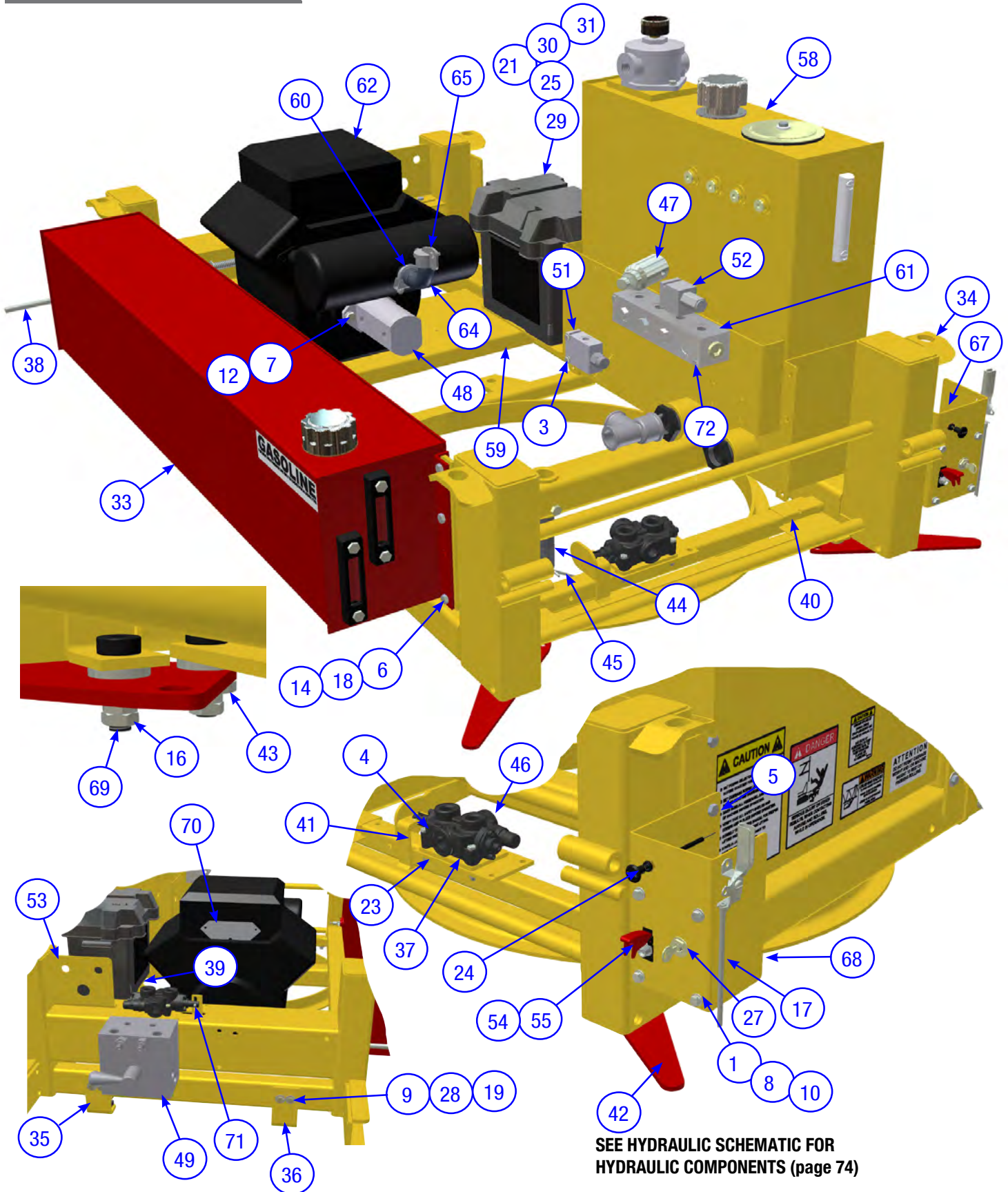
Roller Tamper Assembly

SECTION 2 PARTS

ITEM	PART NO.	DESCRIPTION	QTY
-	050420		-
1	010019	FASTENER, HHCS 5/16-18 X 3/4 GR 5	8
2	010050	FASTENER, NUT HEX JAM 1/2-13	2
3	010054	FASTENER, HHCS 7/16-14 X 1 1/2" LONG GR	8
4	010069	FASTENER, HHCS 1/2-13 X 1-1/2 GRADE 8	4
5	010085	FASTENER, FLAT WASHER, 1/2", GRADE 8	2
6	010087	FASTENER, FLAT WASHER, 3/4"	2
7	010091	FASTENER, LOCK WASHER, 3/8"	8
8	010092	FASTENER, LOCK WASHER, 7/16", GRADE 8	8
9	010093	FASTENER, LOCK WASHER, 1/2", GRADE 8	4
10	010104	FASTENER, HEX NUT, 7/16"-14, GRADE 8	8
11	010333	COUPLING 1\8 NPT STD PIPE	4
12	012725	RUBBER ISOLATOR, 2" WITH 1/2-13 UNC	4
13	019334	BEARING, Ø1 ID SCJT-1 FLANGE	4
14	038677	FASTENER, HHCS 3/4-10 X 2 1/2 GR. 8	2
15	043444	FASTENER, HHCS 1/2-13 X 1 GRADE 8	4
16	075410	DECAL, ROLLER-TAMP	1
17	050233	FASTENER, SQSS (SQ. HEAD SET SCREW) 1/2-13 X 2" LONG	2
18	050374	1/8" NPT NIPPLE 2" LONG	4
19	050408	FRAME, ROLLER TAMPER MOUNT	1
20	050410	PLATE, BEARING INNER MOUNT ROLLER TAMPER	4
21	050414	INNER JACK TUBE WELDMENT FOR ROLLER TAMPER	2
22	050415	PLATE, ADJUSTMENT FOR ROLLER VIBRATOR	2
23	050418	VIBRATOR, FOR ROLLER TAMPER	1
24	050419	SPACER, FOR ROLLER TAMPER MOUNTING	4
25	050428	BRACKET LEFT HAND ROLLER TAMPER JACK MOUNT	1
26	050429	BRACKET, RIGHT HAND ROLLER TAMPER MOUNT	1
27	050431	TAB, INDICATOR FOR ROLLER TAMPER ADJUSTMENT	2
28	050433A	FASTENER, ACME 1/2-10 HEX NUT	4
29	050438	ROLLER, FOR ROLLER TAMPER	2
30	050443	3/8 X 2-3/4 Quick Pin	2
31	050445	SCREW SHAFT WELDMENT, FOR ROLLER TAMPER JACK MOUNT	2
32	050448	COVER, BEARING FOR ROLLER TAMP	4
33	050449	GREASE FITTING ADAPTER 1/4-28 STRAIGHT	4
34	052108	ADJUST BOLT, BRIDGE DECK TRACK	2
35	055043	FASTENER, LW 3/4 GRADE 8 YELLOW ZINC	2
36	201163	FITTING, 1/8-27 PTF STR GREASE	4

SECTION 2 PARTS

Middle Carriage Assembly - 051239



Middle Carriage Assembly - 051239

SECTION 2 PARTS

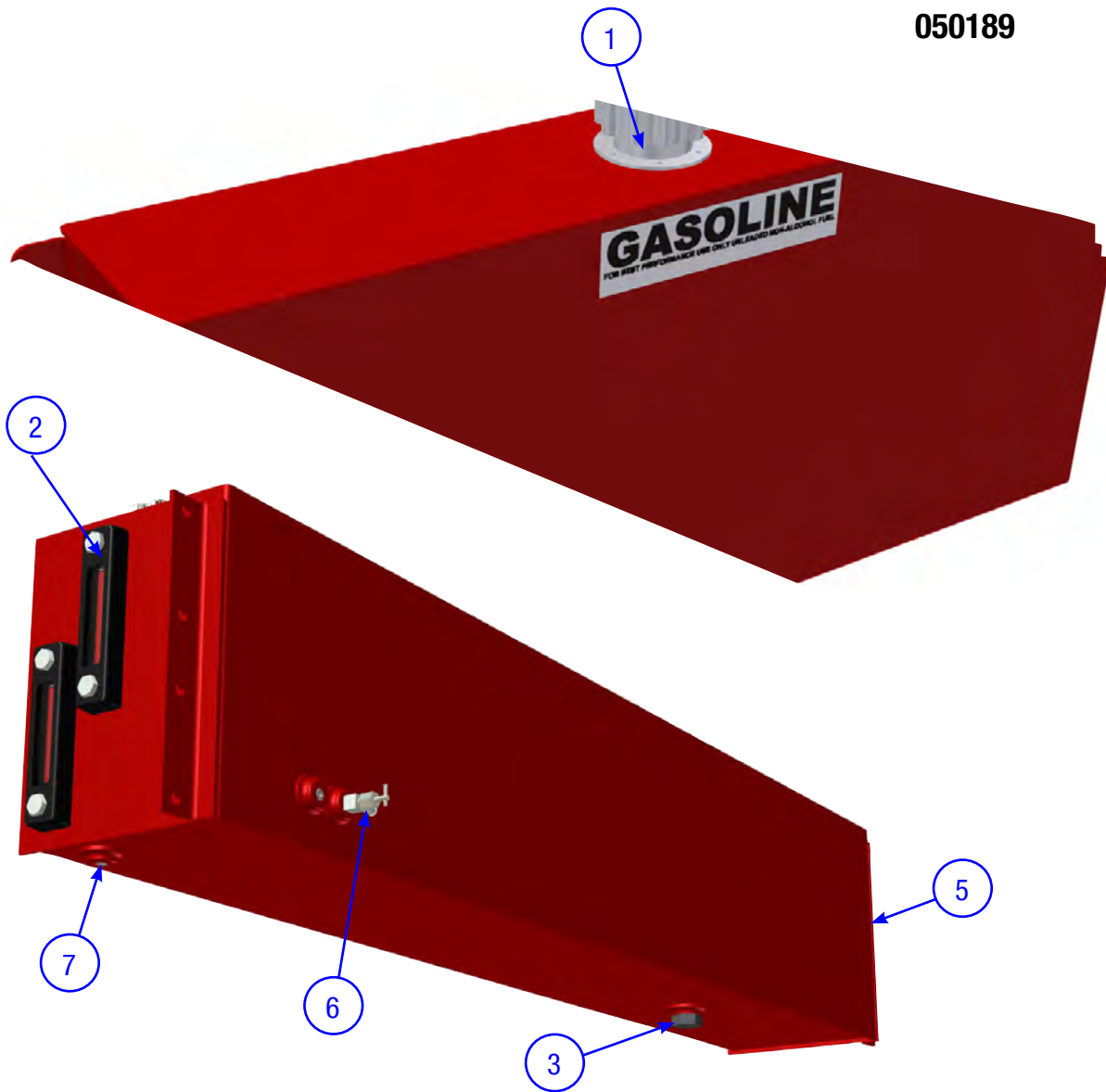
ITEM	PART #	DESCRIPTION	QTY
1	010002	FSTN, HHCS 1/4-20 X 3/4	4
2	010005	FSTN, HHCS 1/4-20 X 1-1/2 GR 8	3
3	010006	FSTN, HHCS 1/4-20 X 1-3/4	2
4	010007	FSTN, HHCS 1/4-20 X 2	3
5	010036	FSTN, HHCS 3/8-16 X 1	12
6	010037	FSTN, HHCS 3/8-16 X 1-1/4 GR 5	10
7	010068	FSTN, HHCS 1/2-13 X 1-1/4 GR 5	2
8	010081	FSTN, FW 1/4	7
9	010083	FSTN, FW 3/8	7
10	010089	FSTN, LW 1/4	4
11	010091	FSTN, LW 3/8	16
12	010093	FSTN, LW 1/2	7
13	010102	FSTN, NUT HEX 3/8-16	8
14	010464	FSTN, NUT NYLOK 3/8-16	6
15	011238	FSTN, NUT HEX NYLOK 1/2-13	2
16	015684	FSTN, NUT HEX JAM 3/8-16	8
17	015735	THROTTLE AND CABLE ASSEMBLY	1
18	017751	FSTN, FW HARD A325 3/8	6
19	020514	FSTN, NUT STOVER LOCK 3/8-16	4
20	020542	FSTN, NUT STOVER LOCK 1/4-20	7
21	023869	BATTERY TERMINAL	2
22	024629	GROMMET, 1 5/8 OD X 7/8 ID	1
23	029671	FSTN, NUT HEX 1/4-20 NYLOC	3
24	029928	CHOKE CABLE ASSEMBLY	1
25	037771	BATTERY, 12 V GRAY 655CA	1
26	038781	FSTN, HHCS 1/2-13 X 3 3/4 GR 8	4
27	039750	KEY SWITCH KOHLER ENGINE	1
28	040663	FSTN, HHCS 3/8-16 X 3 GR8	4
29	046696	BOX, STANDARD BATTERY	1
30	047251	PAD, 10-7/8x7-1/4x1 BARRIER	1
31	047294	PAD, 7-7/16x5-11/16x1-1/2 BARRIER	2
32	-	-	1
33	050189	FUEL TANK ASSEMBLY	1
34	050260	MIDDLE CARRIAGE , SECTION WELDMENT	1
35	050266	LEFT HAND CARRIAGE CLAMP BRACKET ASSEMBLY	1
36	050267	RH HAND CARRIAGE CLAMP BRACKET ASSEMBLY	1

ITEM	PART #	DESCRIPTION	QTY
37	050269	PLATE, SPACER FOR AUGER ON/OFF VALVE	1
38	050292	PLUNGER ASSEMBLY	1
39	050293	BATTERY TRAY CARRIAGE POWER UNIT	1
40	050295	COVER, AUGER ON/OFF CARRIAGE POWER UNIT	2
41	050298	AUGER ON /OFF VALVE SHIFTER BRACKET WELDMENT	1
42	050300	HANDLE SHIFTER AUGER ON/OFF	2
43	050301	SPACER, FOR AUGER ON/OFF HANDLE ASSEMBLY	8
44	050322	SHAFT, CENTER PIVOT CARRIAGE	1
45	050325	FSTN, 1/4" X 3" COTTER KEY	1
46	050452	VALVE, CONTROL FOR CARRIAGE SKEW	2
47	050453	VALVE, RELIEF	1
48	050459	PUMP TANEM, BRIDGE DECK	1
49	050462	MANIFOLD, AUTOMATIC CONTROL	1
50	050465	VALVE, PILOTED DIRECTIONAL	1
51	050466	BLOCK, CIRCUIT	1
52	050473	VALVE, DIRECT ACTING RELIEF	1
53	050516	SMALL BULKHEAD CLIP	1
54	050603	SWITCH TOGGLE, ON/OFF 12VDC	1
55	050604	COVER, TOGGLE, SAFETY	1
56		DUAL POWER LINK CONTACT-5628 DEL CITY	4
57	050606	DUAL POWER LINK COUPLER RED- 5638 DEL CITY	2
58	050655	HYDRAULIC TANK ASSEMBLY, FOR 6048B CARRIAGE	1
59	050660	ENGINE MNT PLATE FOR 6048B CARRIAGE	1
60	050667	1 1/4" MUFFLER CLAMP	1
61	050848	MANIFOLD, TANK/PRESSURE HEADER BRIDGE DECK FINISHER	1
62	050850	ENGINE, 25 HP KOHLER WITH 13 TOOTH SPLINE SHAFT "B" MOUNT	1
63	050856	MUFFLER, CENTER OUTLET KOHLER 1205402-S	1
64	050857	ELBOW FOR, CENTER OUTLET KOHLER 1205402-S	1
65	050868	RAIN CAP, MUFFLER 1 7/16 TAIL PIPE EXHAUST	1
66	050987	FSTN, HHCS 1/2-13 X 4 GR. 8 YELLO ZINC	2
67	051346	WELDMENT, COVER FOR ENGINE CONTROL PANEL 6048	1
68	051348	CONTROL BOX FOR 6048B ENGINE CARRIAGE	1
69	052336	SHOULDER BOLT, 1/2 X 3/4	4
70	052389	COVER PLATE	1
71	052934	CLEVIS PIN, 3/16" DIA. X 1" OAL ZINC PLATED	2
72	010011	FSTN, HHCS 1/4-20 X 3	2

**SECTION 2
PARTS**

Carriage Fuel Tank Assembly

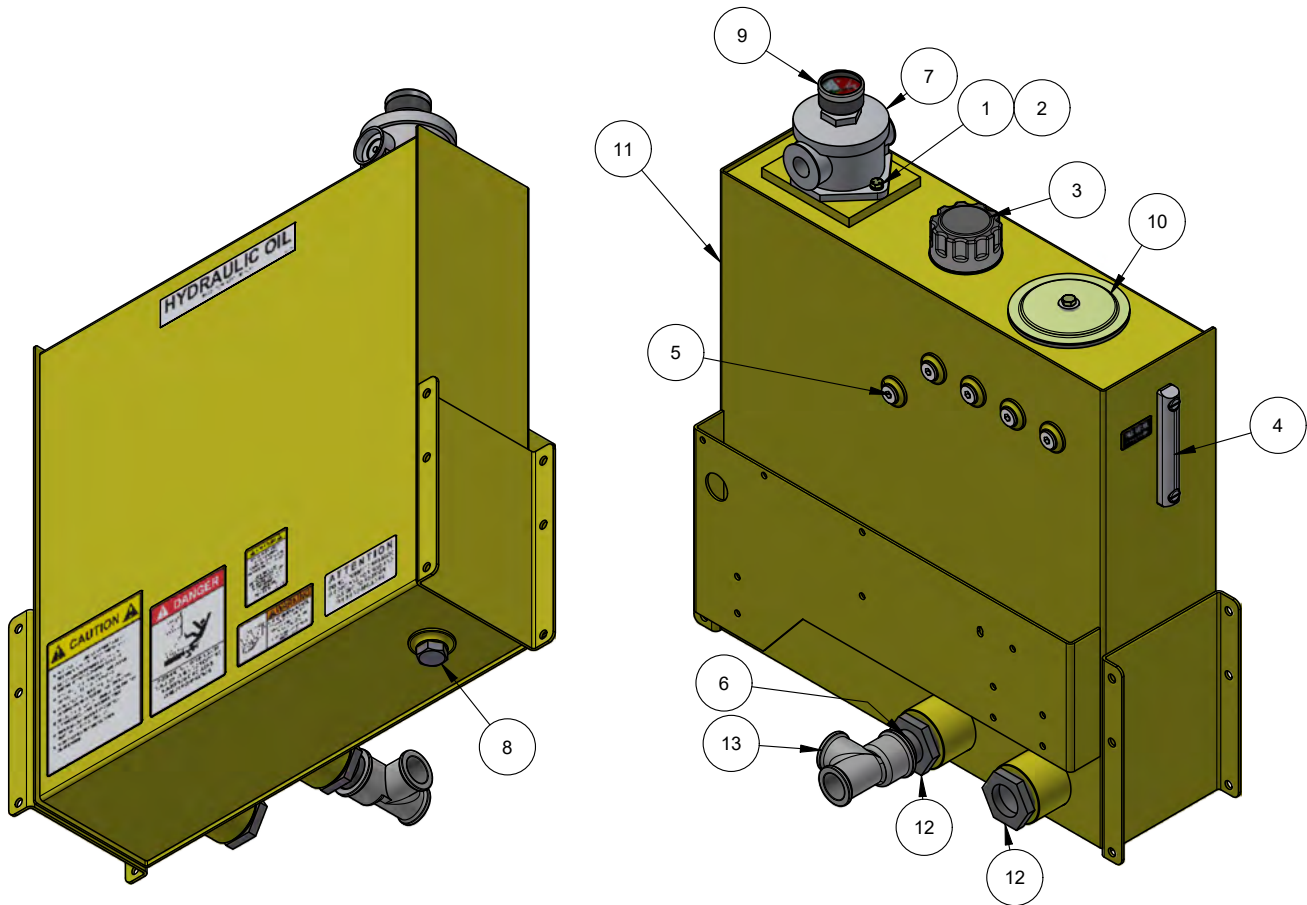
050189



ITEM	PART #	DESCRIPTION	QTY
1	032268	UNIT, CHROME LOCKABLE GAS-HYDRA TANK CAP	1
2	041402	GAUGE, 5" CENTER 1/2" BOLT CLEAR SNA-127-V-N-O-U-0001	2
3	045948	FITTING, 7574051 MAGNETIC PLUG	1
4	-	-	1
5	050248	FUEL TANK WELDMENT CARRAIGE 6048 BDF	1
6	050470	SHUTOFF, FUEL (MISC CONTR 07-400)	1
7	050963	PLUG, 18" NPT HEX SOCKET COATED	2

Carriage Hydraulic Tank Assembly

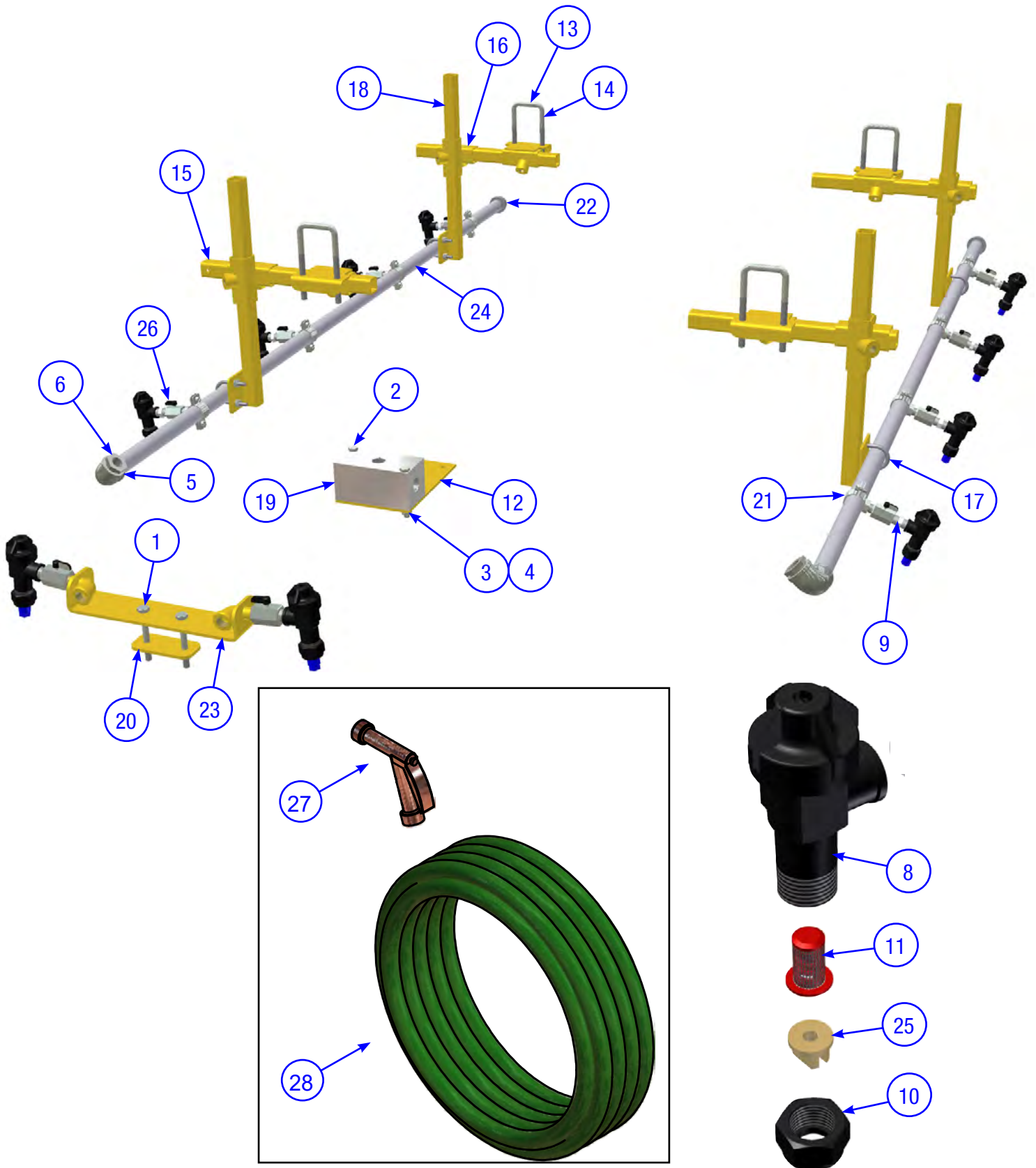
SECTION 2 PARTS



ITEM	PART #	DESCRIPTION	QTY
-	050655	ASSEMBLY, HYDRAULIC TANK	-
1	010019	FSTN, HHCS 5/16-18 X 3/4 GR 5	2
2	010090	FSTN, LW 5/16	2
3	032268	UNIT, CHROME GAS-HYDR TANK CAP	1
4	042844	5" SIGHT GAUGE WITH THERMOMETER	1
5	044077	FTG, SAE #8 HEX PLUG WITH O-RING	5
6	044156	FTG, 1 1/4 GALV CLOSE NIPPLE	1
7	045134	FILTER, RETURN LINE	1
8	045948	FITTING, 7574051 MAGNETIC PLUG	1
9	046241	GAUGE, RETURN FILTER	1
10	050479	DOOR, CLEAN-OUT 6" (VESCOR 1917)	1
11	050650	WELDMENT, HYD. TANK FOR 6048B CARRIAGE	1
12	050657	FTG, BLACK HEX REDUCER 2" TO 1 1/4" NPT	2
13	051764	1 1/4 X 1 X 1 REDUCING TEE ON RUN	1

SECTION 2 PARTS

Carriage Fog Bar Assembly - 050749



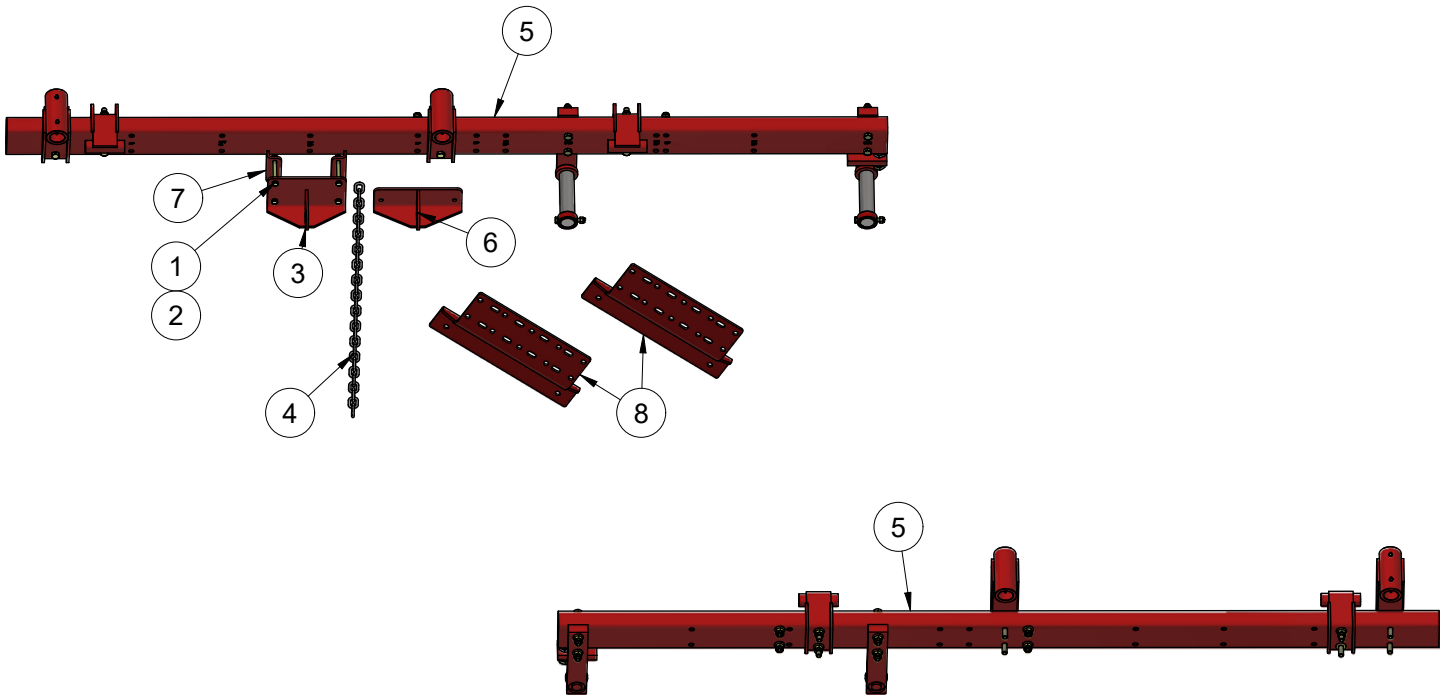
Carriage Fog Bar Assembly - 050749

SECTION 2 PARTS

ITEM	PART #	DESCRIPTION	QTY
1	010008	FSTN, HHCS 1/4-20 X 2-1/4 GR 5	2
2	010009	FSTN, HHCS 1/4-20 X 2 1/2	2
3	010089	FSTN, LW 1/4	10
4	010098	FSTN, NUT HEX 1/4-20	10
5	010244	3/4 ELBOW, 90 DEG, NPT	2
6	012944	3/4 x 3/8 BUSHING, REDUCING, NPT	2
7	020542	FSTN, NUT STOVER LOCK 1/4-20	2
8	041604	VALVE, CHECK BODY	10
9	041606	PLASTIC 1/4 NPT CLOSE NIPPLE	8
10	041624	RETAINER, NYLON SPRAY TIP	10
11	047579	STRAINER, POLY 100 MESH	10
12	050661	PLATE, MANIFOLD MNT. FOR FOG SPRAY SYSTEM.	1
13	050885	U BOLT SQUARE 2" WIDE	4
14	050948	RECIEVER TUBE WELDMNT FOR SPRAY BAR SUPPORT	4
15	050949	TUBE, HORIZONTAL FOR FOG SPRAY SYSTM.	4
16	050950	BRACKET, HORIZONTAL AND VERTICAL	4
17	050952	U-BOLT, 1 1/8"	4
18	050954	VERTICAL ADJUST SPRAY BAR BRACKET MNT.	4
19	050956	MANAFOLD FOR FOG BAR SYSTEM	1
20	050958	PLATE, CLAMP FOR SPRAY NOZZLE BRACKET BURLAP	1
21	050959	SPLIT EYELET CONNECTOR 1/4" NPT	8
22	050960	3/4 CAP, PIPE, STEEL GALV. NPT	2
23	050961	BRACKET, SPRAY FOR BURLAP	1
24	050991	BAR, SPRAY FOR 6048/6036 CARRIAGE SPRAY SYS.	2
25	051286	TIP, SPRAY TXV-S1	10
26	053024	1/4" NPT BALL VALVE, MINATURE CHROME PLATE FEMALE TO MALE	10
27	039961	NOZZLE, SPRAY, FOR HOSE	1
28	038944	HOSE, WATER, 50'	1

SECTION 2 PARTS

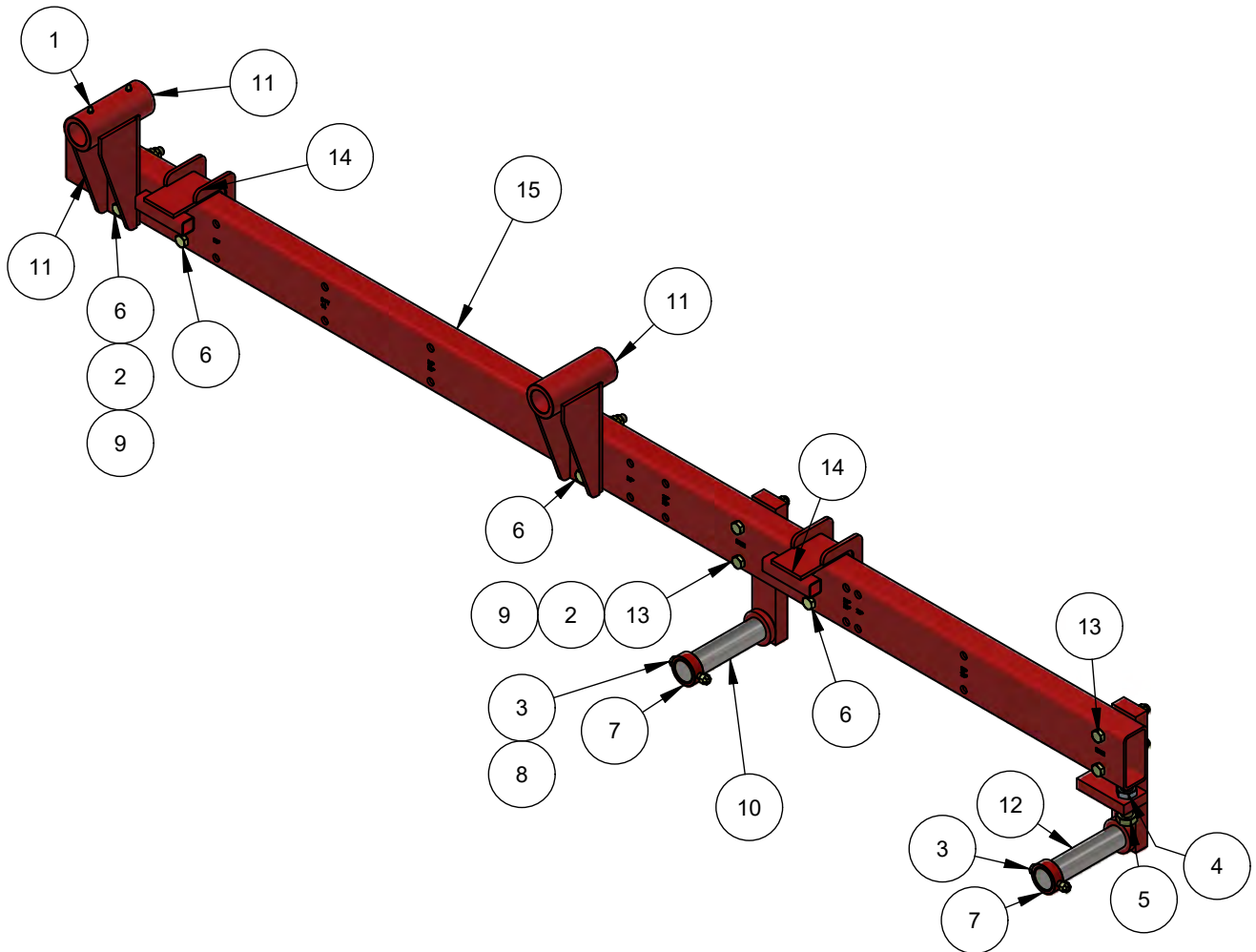
Skew Bar Assembly



ITEM	PART NO.	DESCRIPTION	QTY
-	051573	ASSEMBLY, SKEW BAR ASSEMBLY 6048BDF	-
1	010046	FASTENER, HHCS 3/8"-16 X 3-1/2"	4
2	010464	FASTENER, HEX NUT NYLOK 3/8"-16	4
3	062942	BRACKET, CHAIN CONNECTION UPPER BRKT SKEW CARRIAGE SUPPORT	1
4	062947	CHAIN, CUT TO SIZE 48" LONG F/ CARRIAGE SKEW SETUP	1
5	062960	SUB-ASSEMBLY, 6048 SKEW BAR	2
6	063397	BRACKET, BOTTOM CHAIN CONNECTION	1
7	063399	BRACKET, CARRIAGE TOP SKEW SUPPORT ANGLE	2
8	079297	BRACKET, CHAIN MOUNT F/ SKEW KIT 6048	2

Skew Bar Sub-Assembly

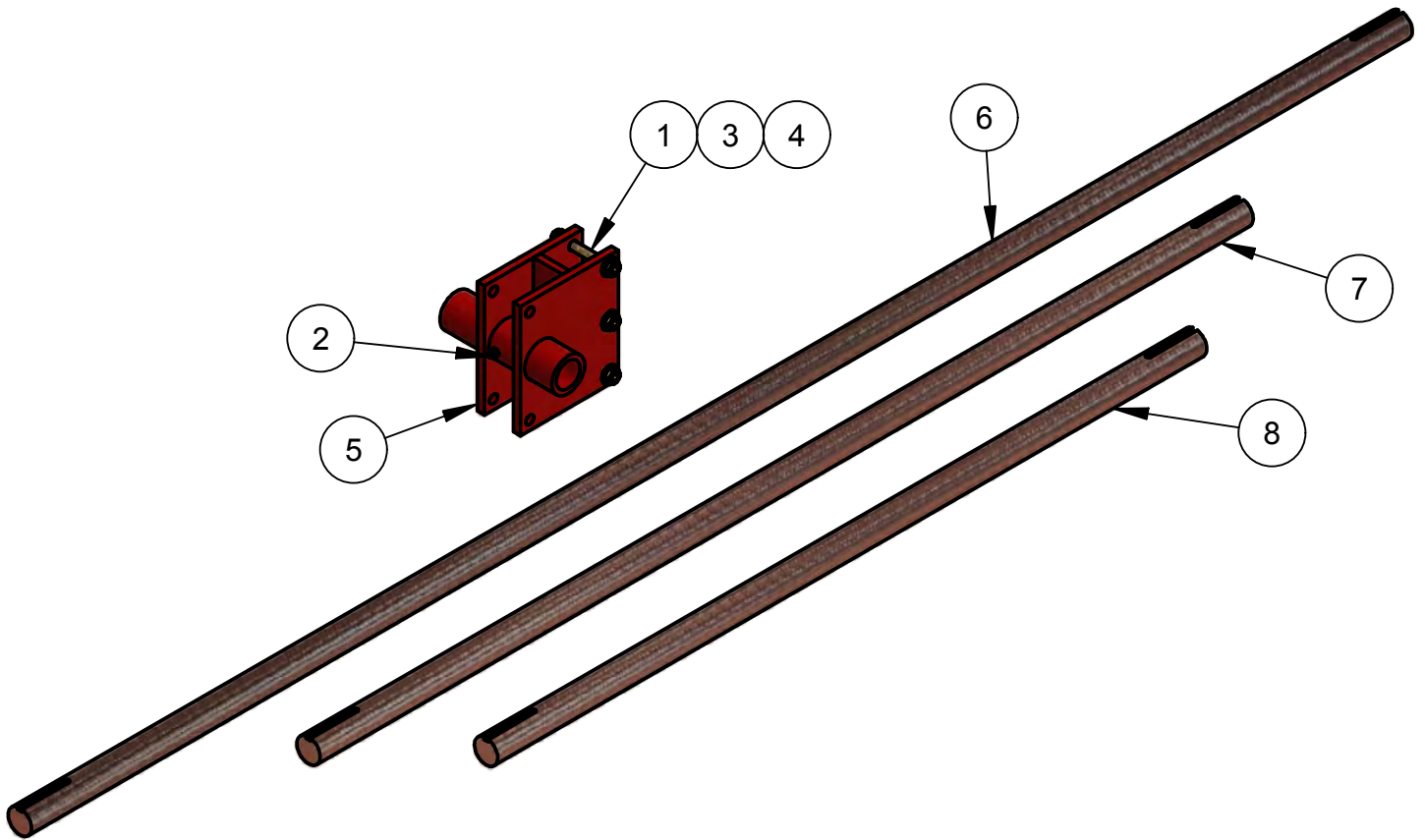
SECTION 2 PARTS



ITEM	PART NO.	DESCRIPTION	QTY
-	062960	SUB-ASSEMBLY, SKEW BAR	-
1	010513	FITTING, 1/4"-28, STRAIGHT, GREASE	4
2	011490	FASTENER, FLAT WASHER, HARDENED, 1/2"	12
3	028898	FASTENER, HHCS 3/8-16 X 2-3/4 GRADE 8	2
4	035565	FASTENER, JAM NUT 3/4-10	1
5	038677	FASTENER, HHCS 3/4" X 2-1/2"	1
6	045855	FASTENER, HHCS 1/2-13 X 3-1/2 GRADE 8	8
7	050209	KEEPER, FOR CARRIAGE WHEEL TO TOP CARRIAGE	2
8	050239	FASTENER, SPLIT LOCK NUT 3/8-16 GR 5	2
9	050492	FASTENER, SPLIT LOCK NUT 1/2-13	12
10	050966	SKEW BAR MOUNT BRACKET	1
11	050970	WHEEL BRACKET EXTENSION FOR SKEW BAR ASSEMBLY	2
12	050972	SKEW BAR MOUNT. BRACKET REAR	1
13	050987	FASTENER, HHCS 12"-13 X 4"	4
14	062961	BRACKET, CHAIN TENSIONER 6048 SKEW BAR ASSEMBLY	2
15	066183	TUBE, SKEW BAR BEAM	1

**SECTION 2
PARTS**

Crown Skew Brace Assembly: 3', 4', & 6'

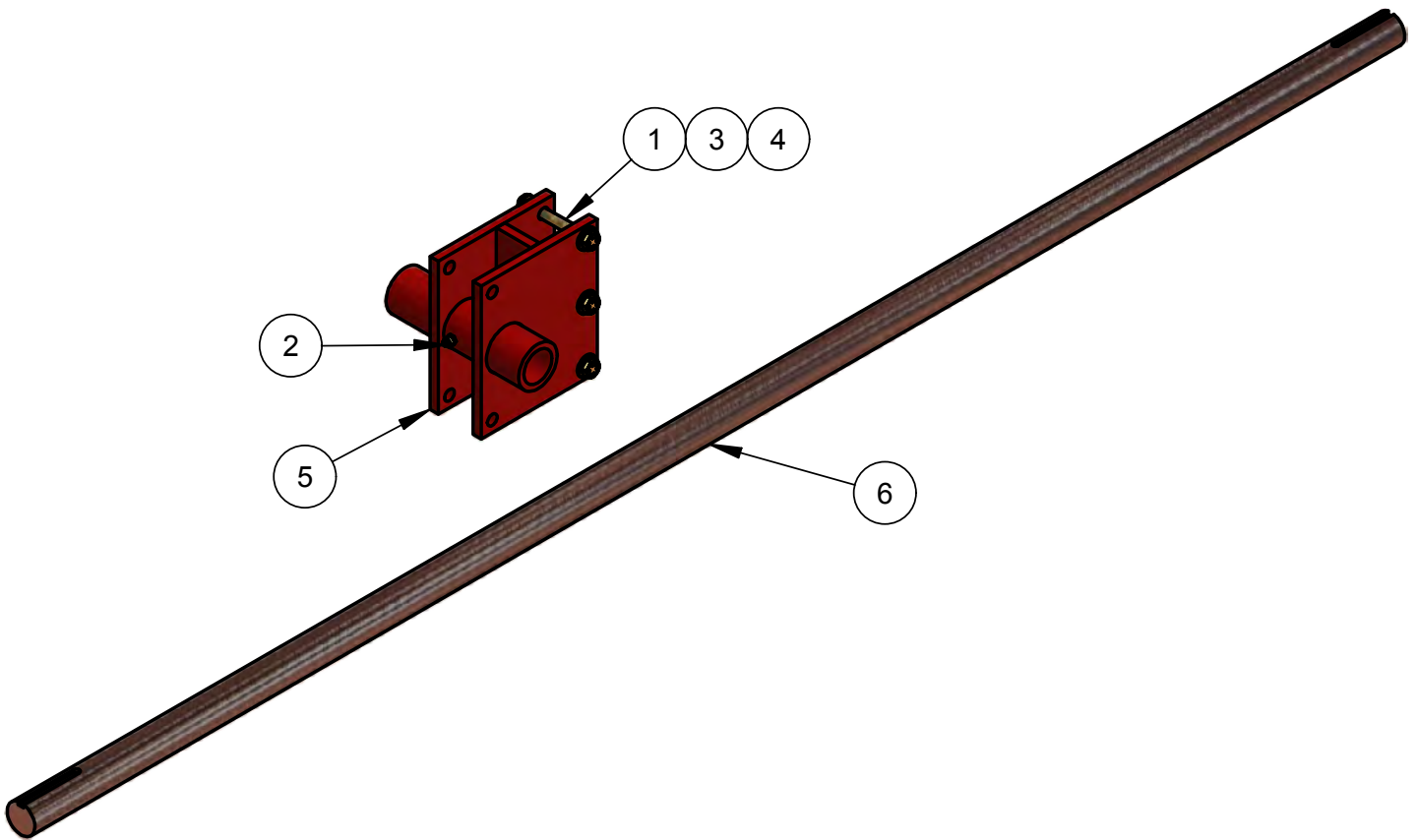


ITEM	PART NO.	DESCRIPTION	QTY
-	050494	ASSEMBLY, CROWN SKEW BRACE 3', 4', & 6'	-
1	010464	FASTENER, NUT, NYLOK, 3/8"-16, GRADE 8	3
2	010513	FITTING, 1/4"-28, STRAIGHT, GREASE	1
3	017751	FASTENER, FLAT WASHER, HARD, A325 3/8 (p)	6
4	040663	FASTENER, HHCS, 3/8"-16 X 3", GRADE 8	3
5	052240	WELDMENT, CROWNER	1
6	052326	SHAFT, CROWN ADJ 6' BDF FRAME WITH SKEW AND CROWN	1
7	052327	SHAFT, CROWN ADJ 4'	1
8	052328	SHAFT, CROWN ADJ 3'	1

OTHER CROWN SKEW BRACE ASSEMBLIES			
ITEM	PART NO.	DESCRIPTION	QTY
A	052484	ASSEMBLY, CROWN SKEW BRACE, 3 FOOT (INCLUDES ONLY ABOVE ITEM #'s: 1,2,3,4,5,8)	-
B	052483	ASSEMBLY, CROWN SKEW BRACE, 4 FOOT (INCLUDES ONLY ABOVE ITEM #'s: 1,2,3,4,5,7)	-
C	052484	ASSEMBLY, CROWN SKEW BRACE, 6 FOOT (INCLUDES ONLY ABOVE ITEM #'s: 1,2,3,4,5,6)	-

Crown Skew Brace Assembly, 5'

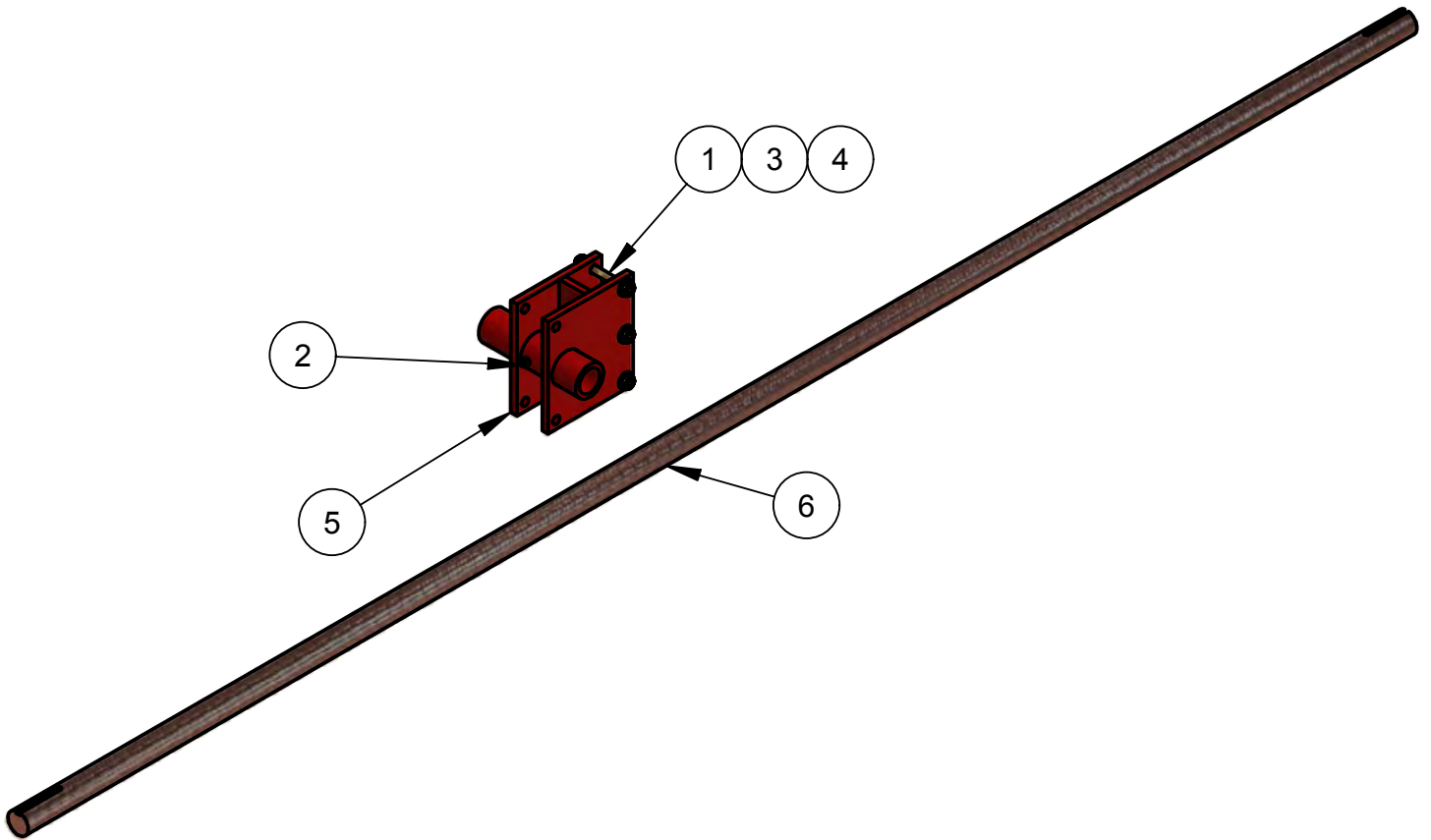
SECTION 2 PARTS



ITEM	PART NO.	DESCRIPTION	QTY
-	056831	ASSEMBLY, CROWN SKEW BRACE, 5'	-
1	010464	FASTENER, NUT, NYLOK, 3/8"-16, GRADE 8	3
2	010513	FITTING, 1/4"-28, STRAIGHT, GREASE	1
3	017751	FASTENER, FLAT WASHER, HARD, A325 3/8 (p)	6
4	040663	FASTENER, HHCS, 3/8"-16 X 3", GRADE 8	3
5	052240	WELDMENT, CROWNER	1
6	056830	SHAFT, CROWN ADJUSTMENT, 5'	1

**SECTION 2
PARTS**

Crown Skew Brace Assembly, 7'

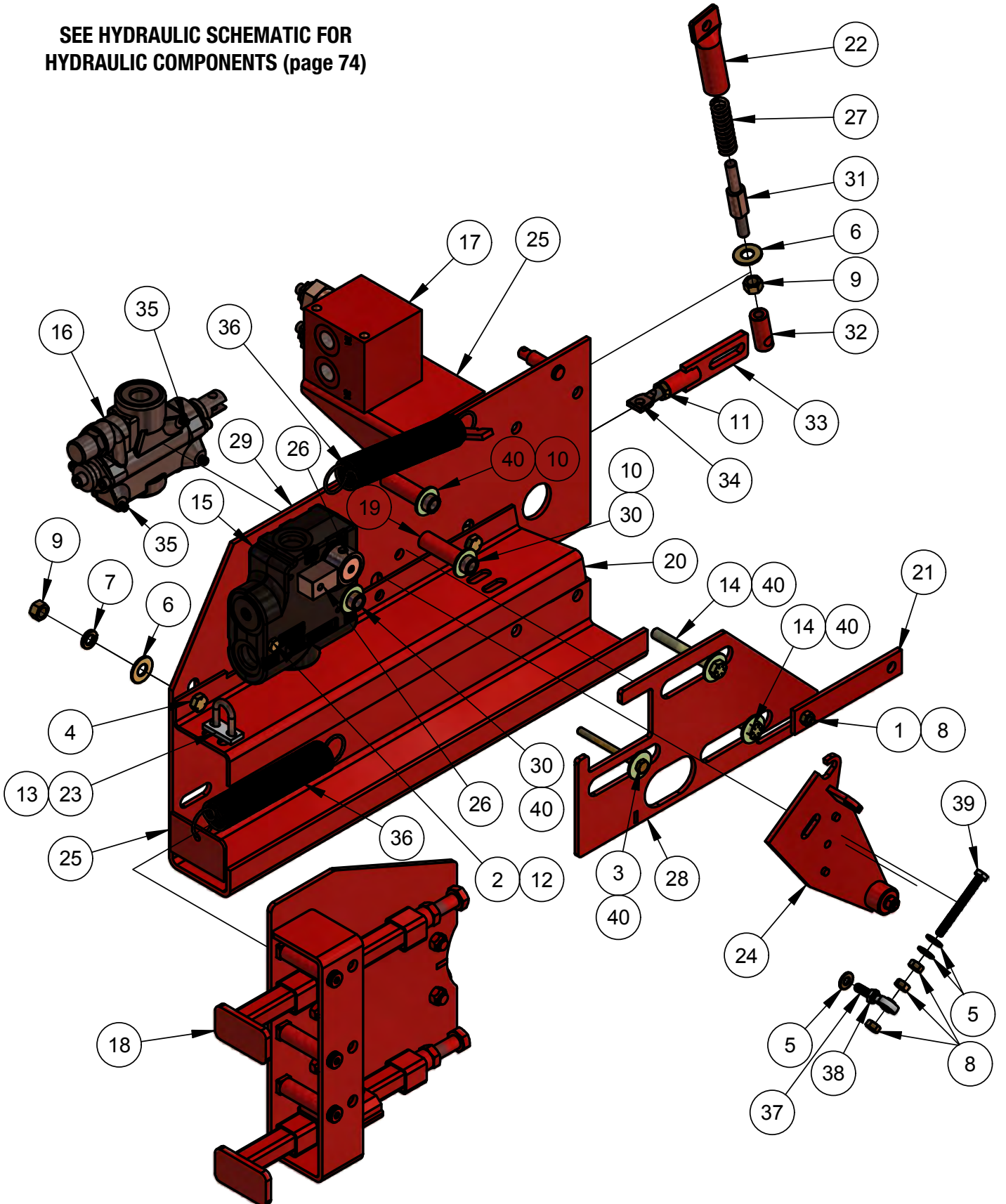


ITEM	PART NO.	DESCRIPTION	QTY
-	058513	ASSEMBLY, CROWN SKEW BRACE, 7'	-
1	010464	FASTENER, NUT, NYLOK, 3/8"-16, GRADE 8	3
2	010513	FITTING, 1/4"-28, STRAIGHT, GREASE	1
3	017751	FASTENER, FLAT WASHER, HARD, A325 3/8 (p)	6
4	040663	FASTENER, HHCS, 3/8"-16 X 3", GRADE 8	3
5	052240	WELDMENT, CROWNER	1
6	058514	SHAFT, CROWN ADJUSTMENT, 7'	1

Carriage Shifting Mechanism Assembly

SECTION 2 PARTS

SEE HYDRAULIC SCHEMATIC FOR
HYDRAULIC COMPONENTS (page 74)



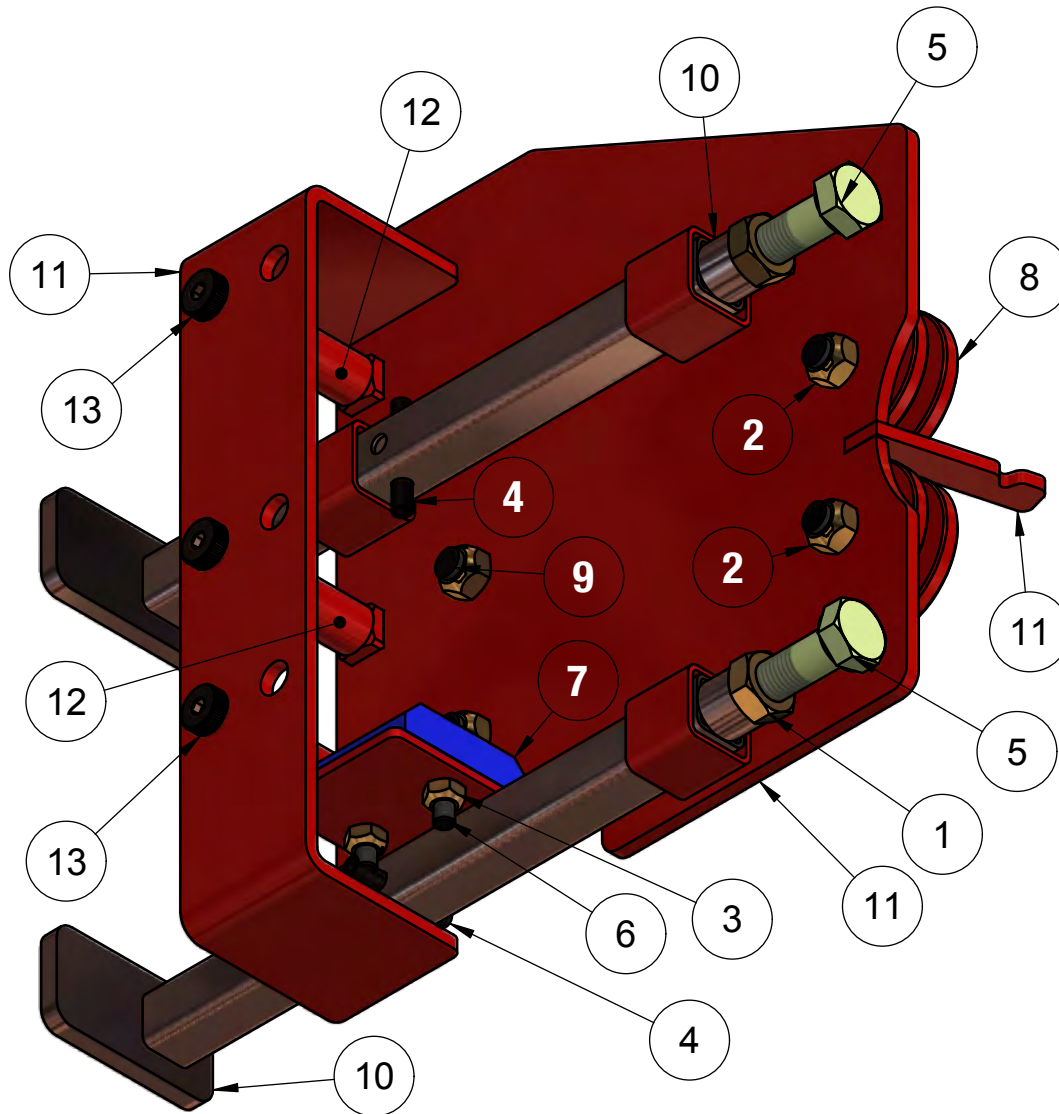
SECTION 2 PARTS

Carriage Shifting Mechanism Assembly

ITEM	PART NO.	DESCRIPTION	QTY
1	010002	FASTENER, HHCS 1/4-20 X 3/4	1
2	010009	FASTENER, HHCS 1/4-20 X 2 1/2	1
3	010011	FASTENER, HHCS 1/4-20 X 3	1
4	010036	FASTENER, HHCS 3/8-16 X 1 GRADE 8	3
5	010081	FASTENER, FLAT WASHER, 1/4"	3
6	010083	FASTENER, FLAT WASHER, 3/8"	4
7	010091	FASTENER, LOCK WASHER, 3/8"	3
8	010098	FASTENER, NUT, HEX, 1/4"-20	4
9	010102	FASTENER, NUT, HEX, 3/8"-16	4
10	010464	FASTENER, NUT, NYLOK, 3/8"-16, GRADE 8	2
11	015684	FASTENER, NUT, HEX, JAM, 3/8"-16	1
12	020542	FASTENER, NUT, STOVER, LOCK 1/4"-20	2
13	038444	FASTENER, U-BOLT	1
14	040663	FASTENER, HHCS 3/8"-16 X 3", GRADE 8	2
15	050451	VALVE, FLOW CONTROL (BRAND: FC-10SAE)	1
16	050452	VALVE, CONTROL FOR CARRIAGE SKEW (BRAND: AO1004ANR35)	1
17	050488	VALVE, CROSS PORT RELIEF	1
18	052347	ASSEMBLY, SWITCH SLIDE	1
19	052348	SPACER, 5/8" X 12 GAUGE	2
20	052355	TRACK, TOP CONTROL CABLE MOUNT	1
21	052357	LINK, MANUAL CONTROL CARRIAGE	1
22	052360	HOUSING, SPRING	1
23	052361	PLATE, CONTROL CABLE SPACER	1
24	052364	ASSEMBLY, CAM FOLLOWER	1
25	052365	RAIL, DUAL CHAIN CONTROLLER	1
26	052368	WELDMENT, CAM SPACER CARRIAGE CONTROL	1
27	052380	SPRING, COMPRESSION, 2-3/8"	1
28	052383	WELDMENT, CARRIAGE CONTROL SLIDE	1
29	052384	PLATE, FLOW CONTROL MOUNT	1
30	052385	SPACER, CARRIAGE CONTROL SLIDE	3
31	052387	BUSHING, OUTER FOR CARRIAGE CONTROL	1
32	052388	PIN, CARRIAGE CONTROL OVER CENTER PIVOT	1
33	052396	WELDMENT, ADJUSTMENT LINKAGE CARRIAGE CONTROL	1
34	052491	EYE BOLT, 3/8" -16 MODIFIED FOR BRIDGE DECK	1
35	058771	FASTENER, SHCS 1/4-20 X 1 1/4 LONG	3
36	060766	SPRING, EXTENSION 1" O.D. X 5" LONG X .100 SPRING STEEL WIRE	2
37	061449	ROD END, 1/4-28 X 1	1
38	061450	FASTENER, HEX NUT 1/4-28	1
39	061451	FASTENER, HHCS 1/4-20 X 2-1/2 (P)	1
40	062425	WASHER, SPECIAL FOR BDF TRAVEL AND CARRIAGE DIRECTION	6

Switch Slide Assembly

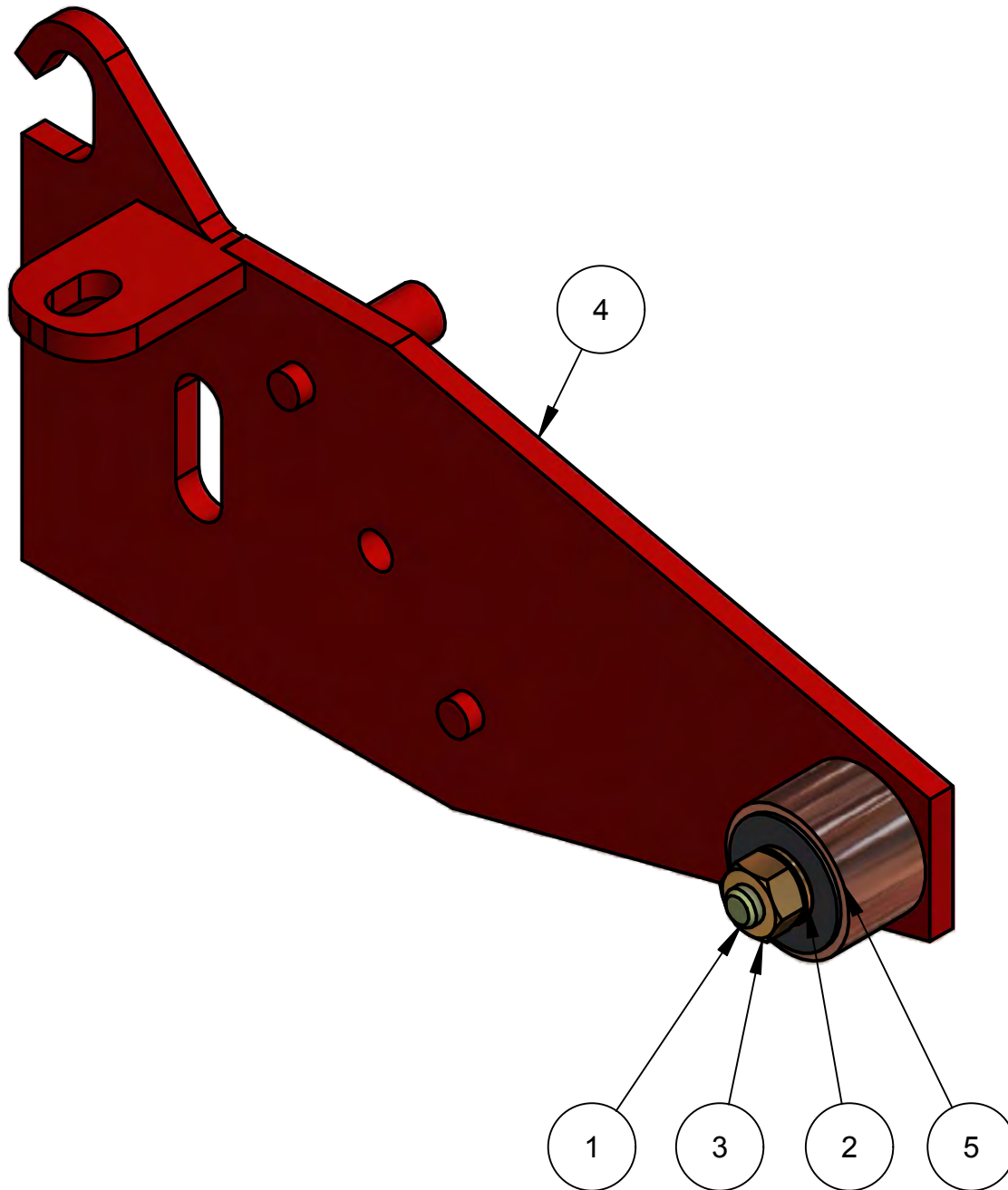
SECTION 2 PARTS



ITEM	PART #	DESCRIPTION	QTY
-	052347	ASSEMBLY, SWITCH SLIDE	-
1	010050	FASTENER, NUT HEX JAM 1/2-13	2
2	020514	FASTENER, NUT, STOVER LOCK, 3/8"-16	4
3	020542	FASTENER, NUT, STOVER LOCK, 1/4"-20	2
4	040276	PIN, ROLL, 1/4" X 1-1/2", SPIRAL	2
5	044035	FASTENER, BOLT, HHCS, 1/2"-13 X 1-3/4", GRADE 8	2
6	049352	FASTENER, SCREW, 1/4"-20 X 1", SKT FLT HD CAP	2
7	052254	WEAR PLATE, CHAIN GUIDE	1
8	052335	GUIDE WHEEL, 2"	4
9	052336	SHOULDER BOLT, 1/2 X 3/4	4
10	052341	PLUNGER TUBE WELDMENT	2
11	052346	SWITCH HSNG WELDMENT	1
12	052348	SPACER, 5/8 X 12 GA	3
13	062447	FASTENER, SHOULDER BOLT, 3/8" X 2-1/2"	3

**SECTION 2
PARTS**

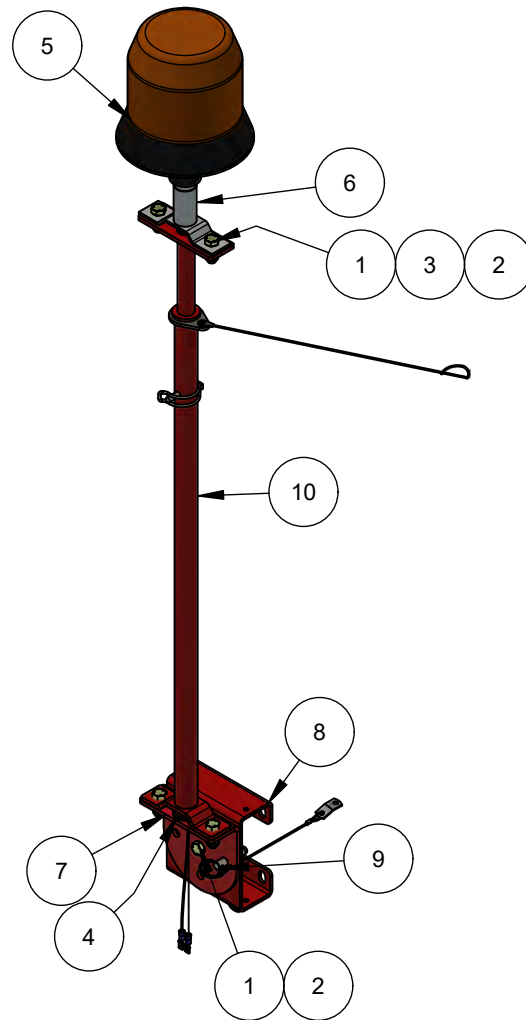
Cam Follower Assembly



ITEM	PART #	DESCRIPTION	QTY
-	052364	ASSEMBLY, CAM FOLLOWER F/ BDF	-
1	010004	FASTENER, BOLT, HHCS, 1/4"-20 X 1-1/4"	1
2	010089	FASTENER, LOCK WASHER, 1/4"	1
3	010098	FASTENER, NUT, HEX, 1/4-20"	1
4	052363	ARM, CAM FOLLOWER	1
5	052378	BEARING, CAM FOLLOWER	1

Beacon Light Assembly (Updated)

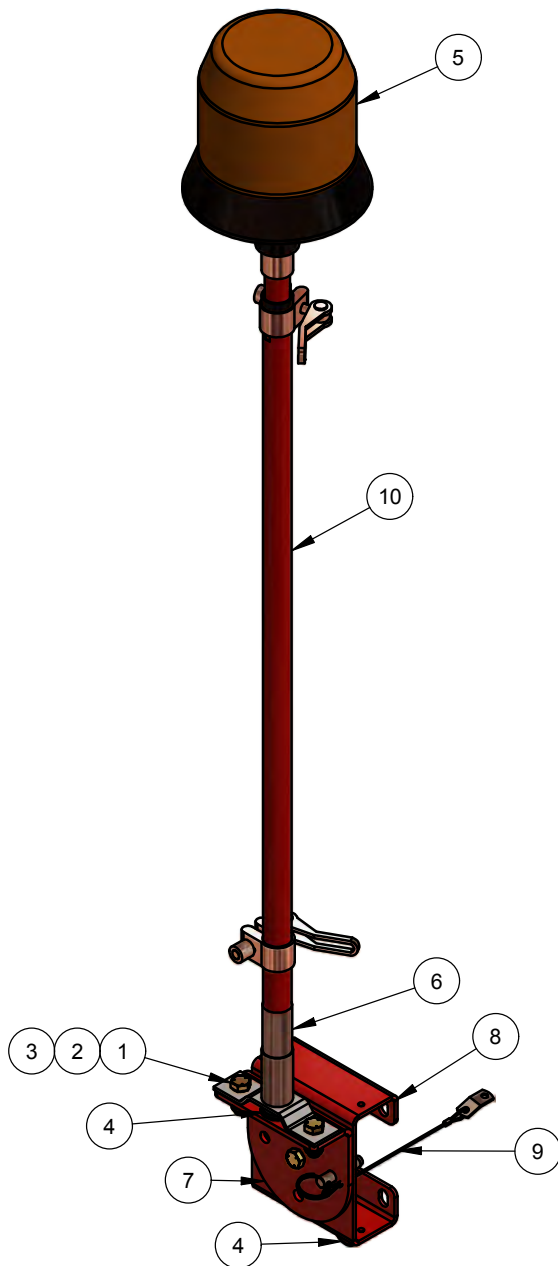
SECTION 2 PARTS



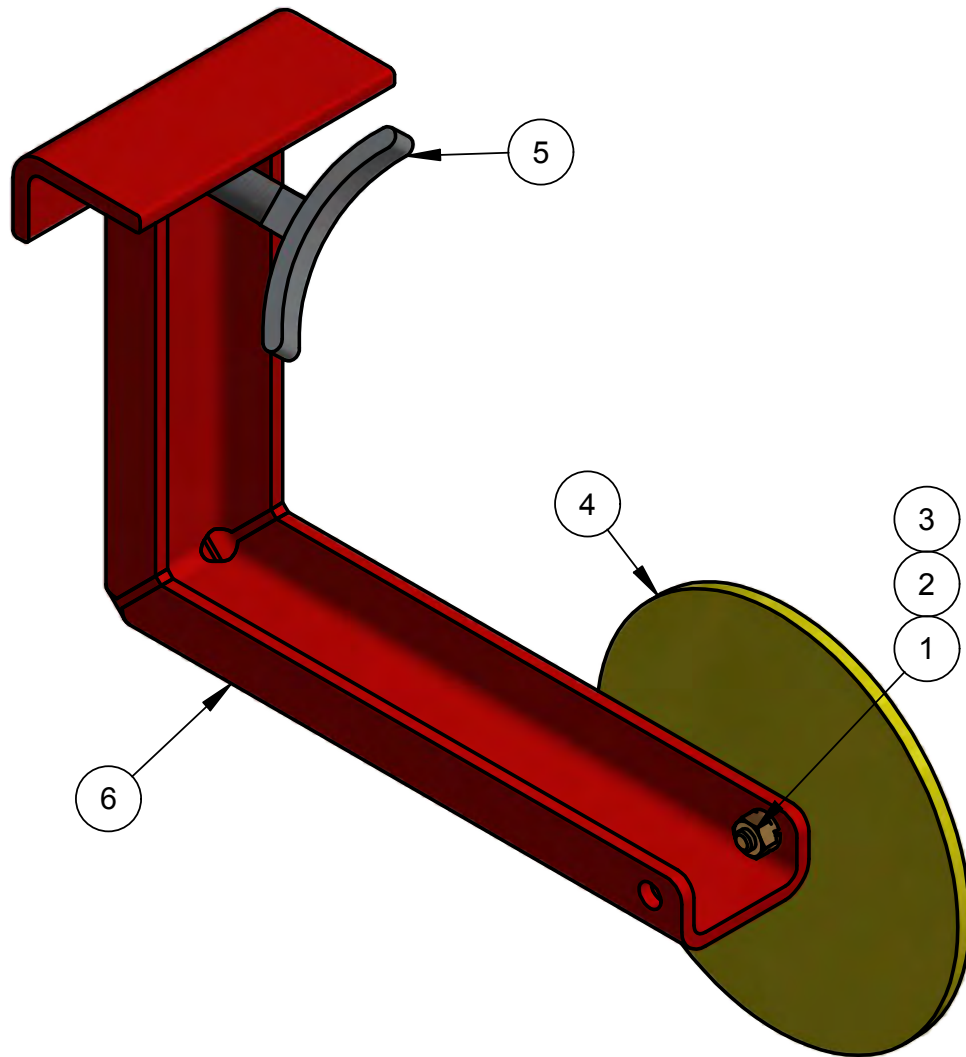
ITEM	PART NO.	DESCRIPTION	QTY
-	069249	ASSEMBLY, BEACON LIGHT	1
1	010036	FASTENER, BOLT, HHCS, 3/8"-16 X 1", GRADE 8	3
2	010464	FASTENER, NUT, NYLOCK, 3/8"-16, GRADE 8	3
3	017751	FASTENER, FLAT WASHER, HARD, A325, 3/8"	2
4	048959	GROMMET, 1/2" RUBBER HOSE	2
5	052955	LIGHT, BEACON, AMBER, 12 VDC	1
6	052956	BRACKET, QUICK-CHANGE STROBE LIGHT	1
7	069246	BRACKET, BEACON LIGHT MOUNT, OUTSIDE PIVOT	1
8	069247	MOUNT, CHANNEL FOR BEACON LIGHT POLE	1
9	069248	PIN, 3/8" X 1", QUICK RELEASE WITH LANYARD	1
10	078195	ASSEMBLY, BEACON LIGHT POLE F/ BDF	1

SECTION 2 PARTS

Beacon Light Assembly, 069249 (OLD)



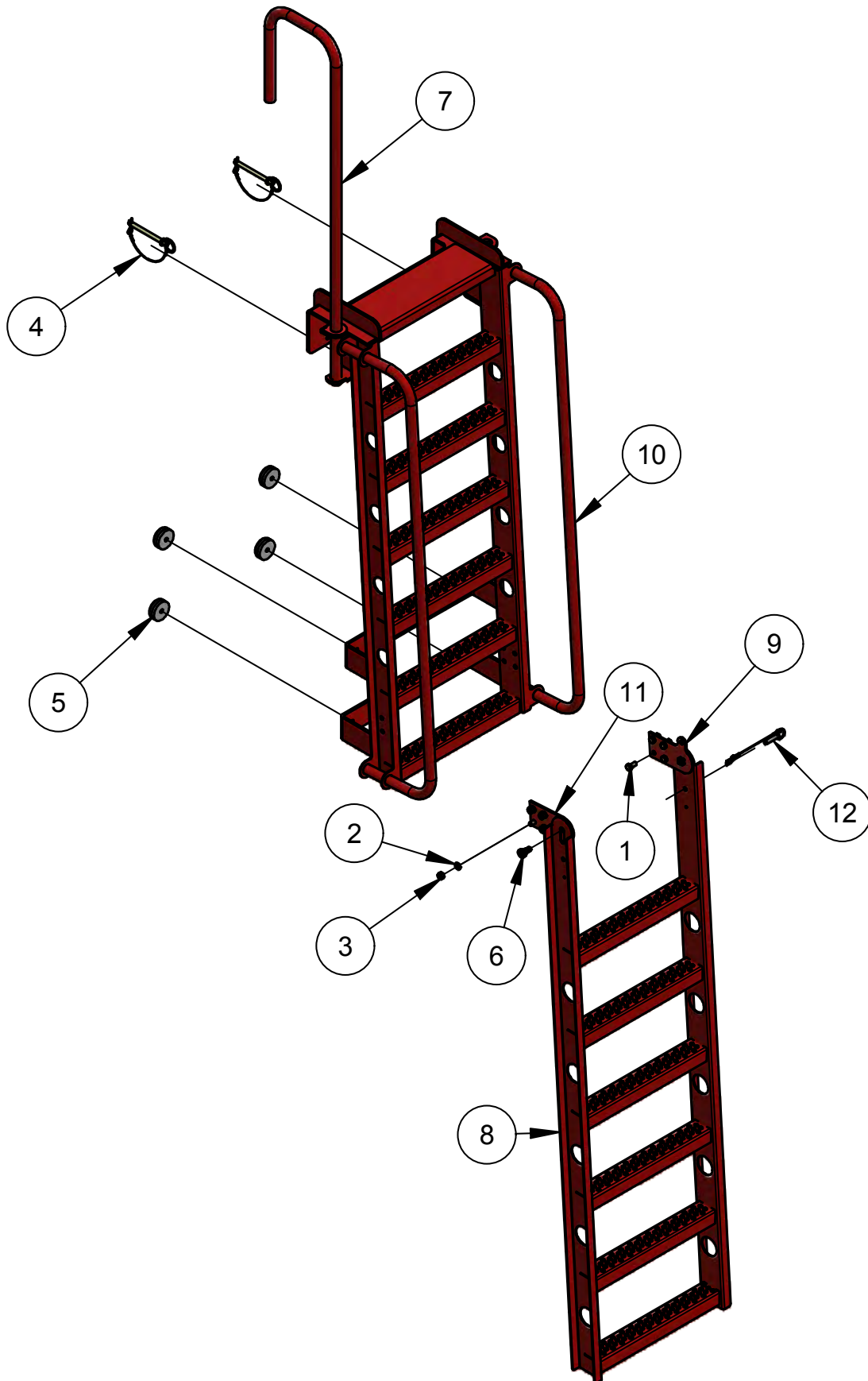
ITEM	PART NO.	DESCRIPTION	QTY
1	010036	FASTENER, BOLT, HHCS, 3/8"-16 X 1", GRADE 8	3
2	010464	FASTENER, NUT, NYLOCK, 3/8"-16, GRADE 8	3
3	017751	FASTENER, FLAT WASHER, HARD, A325, 3/8"	2
4	048959	GROMMET, 1/2" RUBBER HOSE	2
5	052955	LIGHT, BEACON, AMBER, 12 VDC	1
6	052956	BRACKET, QUICK-CHANGE STROBE LIGHT	1
7	068945	TUBE, TELESCOPIC, FOR BEACON LIGHT	1
8	069246	BRACKET, BEACON LIGHT MOUNT, OUTSIDE PIVOT	1
9	069247	MOUNT, CHANNEL FOR BEACON LIGHT POLE	1
10	069248	PIN, 3/8" X 1", QUICK RELEASE WITH LANYARD	1



ITEM	PART NO.	DESCRIPTION	QTY
-	052333	ASSEMBLY, TARGET F/ BDF	-
1	010002	FASTENER, HHCS 1/4-20 X 3/4	1
2	010089	FASTENER, LOCK WASHER, 1/4"	1
3	010098	FASTENER, NUT, HEX, 1/4"-20	1
4	052317	PLATE, TARGET BDF	1
5	052320	WELDMENT, SET SCREW TARGET	1
6	052332	WELDMENT, TARGET PLATE BRACKET	1

SECTION 2
PARTS

Ladder Assembly



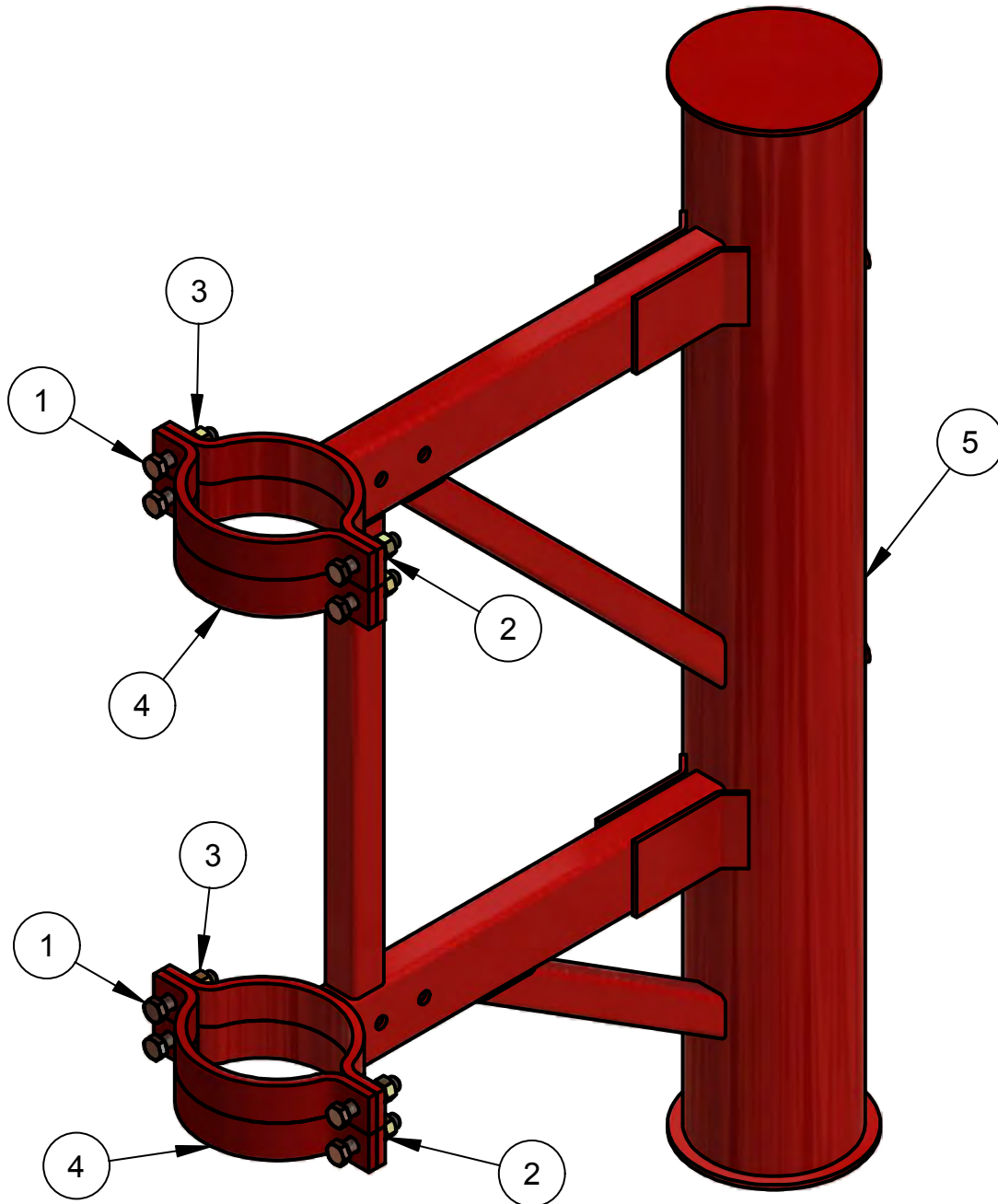
Ladder Assembly

SECTION 2 PARTS

ITEM	PART NO.	DESCRIPTION	QTY
-	069064	ASSEMBLY, LADDER, FOR 4836 & 6036 BDF	-
1	010035	FASTENER, BOLT, HHCS, 3/8"-16 X 3/4"	8
2	010091	FASTENER, WASHER, LOCK, 3/8"	8
3	010102	FASTENER, NUT, HEX, 3/8"-16	8
4	069040	PIN, 3/8" X 4", WITH LANYARD	2
5	069041	BUMPER, RUBBER, 2" WITH THRU-HOLE	4
6	069042	FASTENER, BOLT, SHOULDER, 1/2" X 3/8"	2
7	069054	WELDMENT, LADDER, HANDLE	1
8	069061	SECTION, BOTTOM	1
9	069065	BRACKET, LOWER LADDER, RIGHT HAND CONNECTOR	1
10	069066	SECTION, UPPER	1
11	069223	BRACKET, LOWER LADDER, LEFT HAND CONNECTOR	1
12	069248	PIN, 3/8" X 1", QUICK RELEASE, WITH LANYARD	1

SECTION 2 PARTS

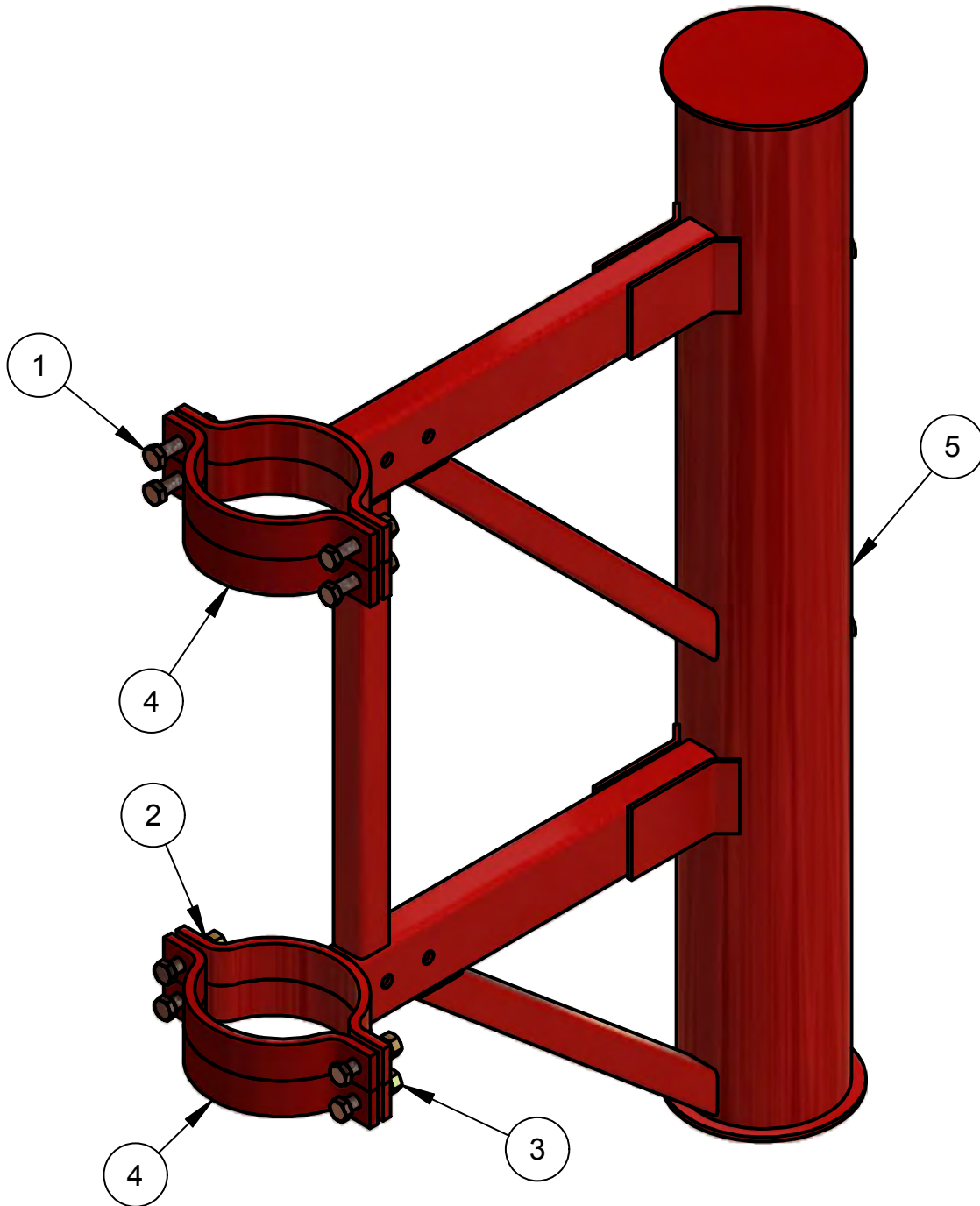
6" Jack Swing Out Assembly (For Rigid Brkt Only)



ITEM	PART NO.	DESCRIPTION	QTY
-	068356	ASSEMBLY, 6" SWING OUTS [SET OF 2] (WORKS ONLY WITH RIGID BRACKETS)	-
1	010073	FASTENER, BOLT, HHCS, 1/2"-13 X 2-1/2", GRADE 5	16
2	010093	FASTENER, WASHER, LOCK, 1/2", GRADE 8	16
3	010106	FASTENER, NUT, HEX, 1/2"-13, GRADE 8	16
4	052043	CLAMP, 6"	8
5	065145	WELDMENT, LEG SWING	2

6" Jack Swing Out Assembly (for Pivot Brkt Only)

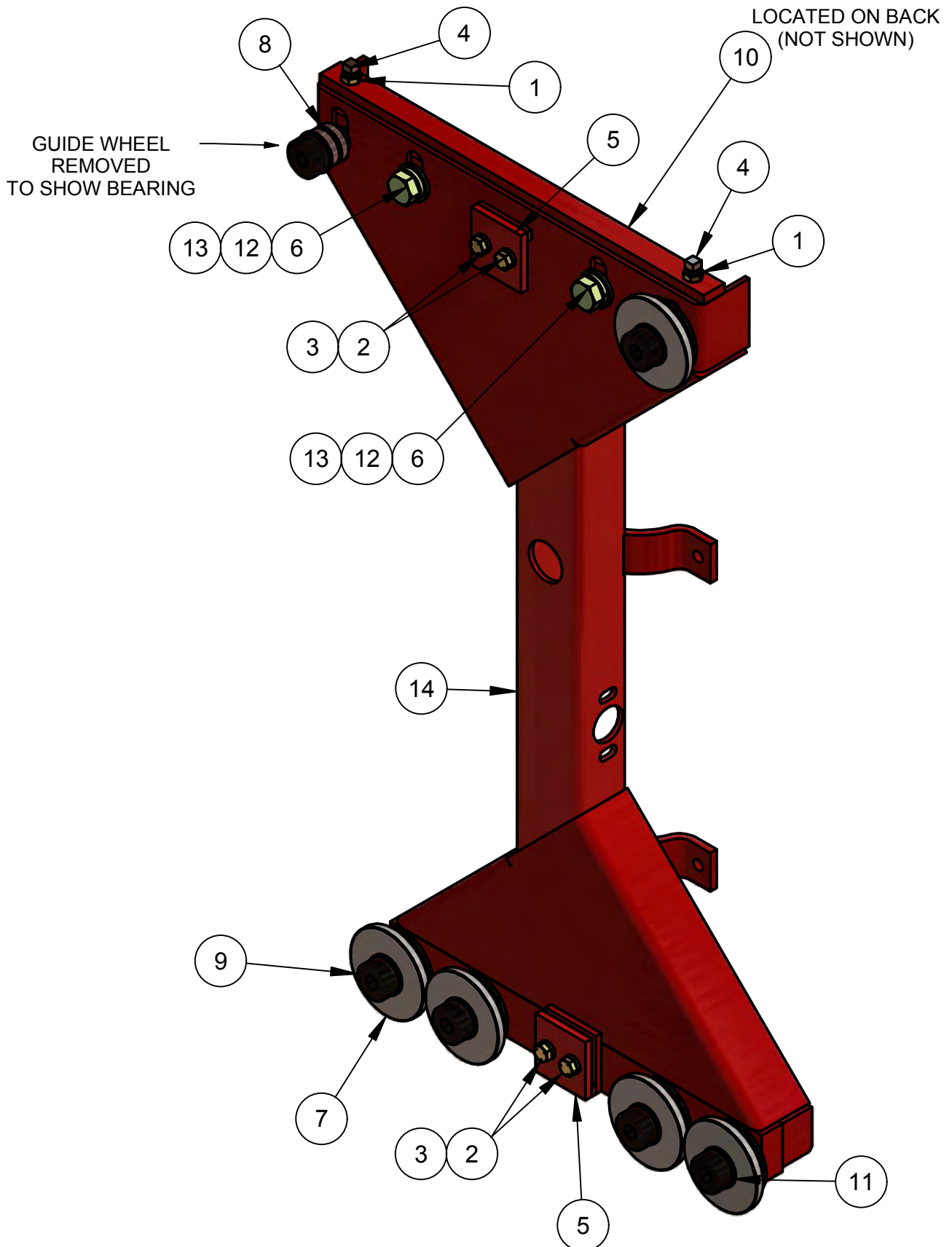
SECTION 2 PARTS



ITEM	PART NO.	DESCRIPTION	QTY
-	052585	ASSEMBLY, 6" SWING OUTS [SET OF 2] (WORKS ONLY WITH PIVOT BRACKETS)	-
1	010073	FASTENER, BOLT, HHCS, 1/2"-13 X 2-1/2", GRADE 5	16
2	010093	FASTENER, WASHER, LOCK, 1/2", GRADE 8	16
3	010106	FASTENER, NUT, HEX, 1/2"-13, GRADE 8	16
4	052043	CLAMP, 6"	8
5	052586	WELDMENT, LEG SWING	2

SECTION 2 PARTS

6" Rigid Jack Plate Assembly



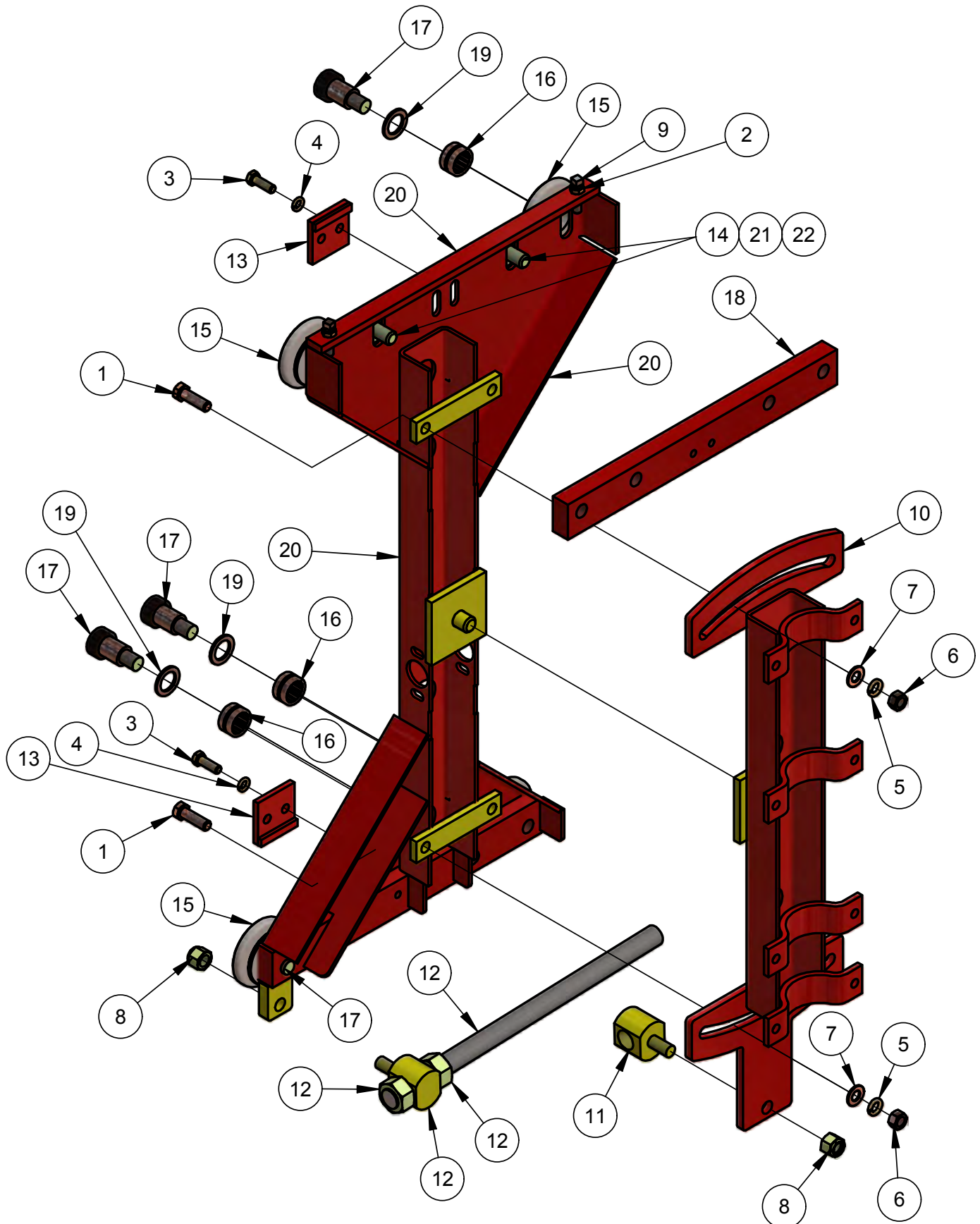
6" Rigid Jack Plate Assembly

SECTION 2 PARTS

ITEM	PART NO.	DESCRIPTION	QTY
-	065038	SET, 6" RIGID JACK PLATE (RIGHT HAND X 2, LEFT HAND X 2)	-
-	065037	ASSEMBLY, LEFT HAND, RIGID PLATE, 6"	-
-	065036	ASSEMBLY, RIGHT HAND, RIGID PLATE, 6"	-
1	010050	FASTENER, NUT, HEX, JAM, 1/2"-13	2
2	010069	FASTENER, BOLT, HHCS, 1/2"-13 X 1-1/2", GRADE 8	4
3	010093	FASTENER, LOCK WASHER, 1/2", GRADE 8	4
4	050233	FASTENER, SCREW, SQSS, 1/2"-13 X 2"	2
5	052166	WELDMENT, CLAMP PLATE	2
6	053379	FASTENER, BOLT, HHCS, 7/8"-9 X 1-3/4"	2
7	053401	WHEEL, GUIDE	6
8	053402	BEARING, MR-20-N	6
9	053404	FASTENER, BOLT, SHOULDER, 1-1/4" X 1-1/2"	6
10	053405	MOUNT, ROLLER, BDF (NOT SHOWN)	1
11	053411	WASHER, FOR JACK PLATE WHEEL	6
12	055038	FASTENER, WASHER, LOCK, 7/8", GRADE 8, YELLOW ZINC	2
13	064810	FASTENER, WASHER, FLAT, 7/8", GRADE 8, YELLOW ZINC	2
14	065035	WELDMENT, LEG PLATE, LEFT HAND, 36", FOR 6" JACK	1
	065034	WELDMENT, LEG PLATE, RIGHT HAND, 36", FOR 6" JACK	1

SECTION 2 PARTS

6" Pivot Jack Plate Assembly



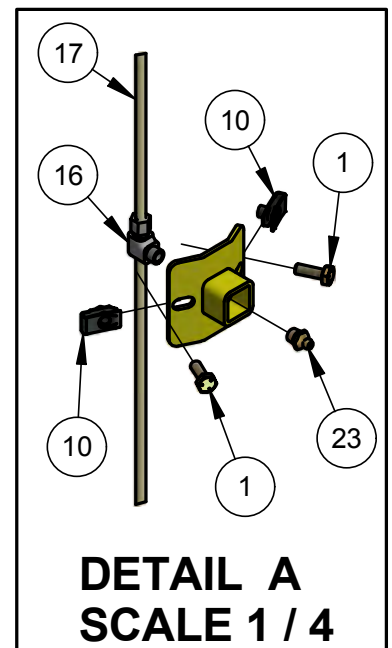
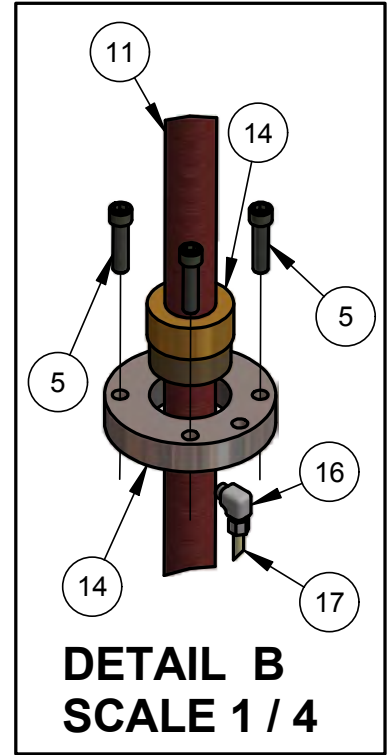
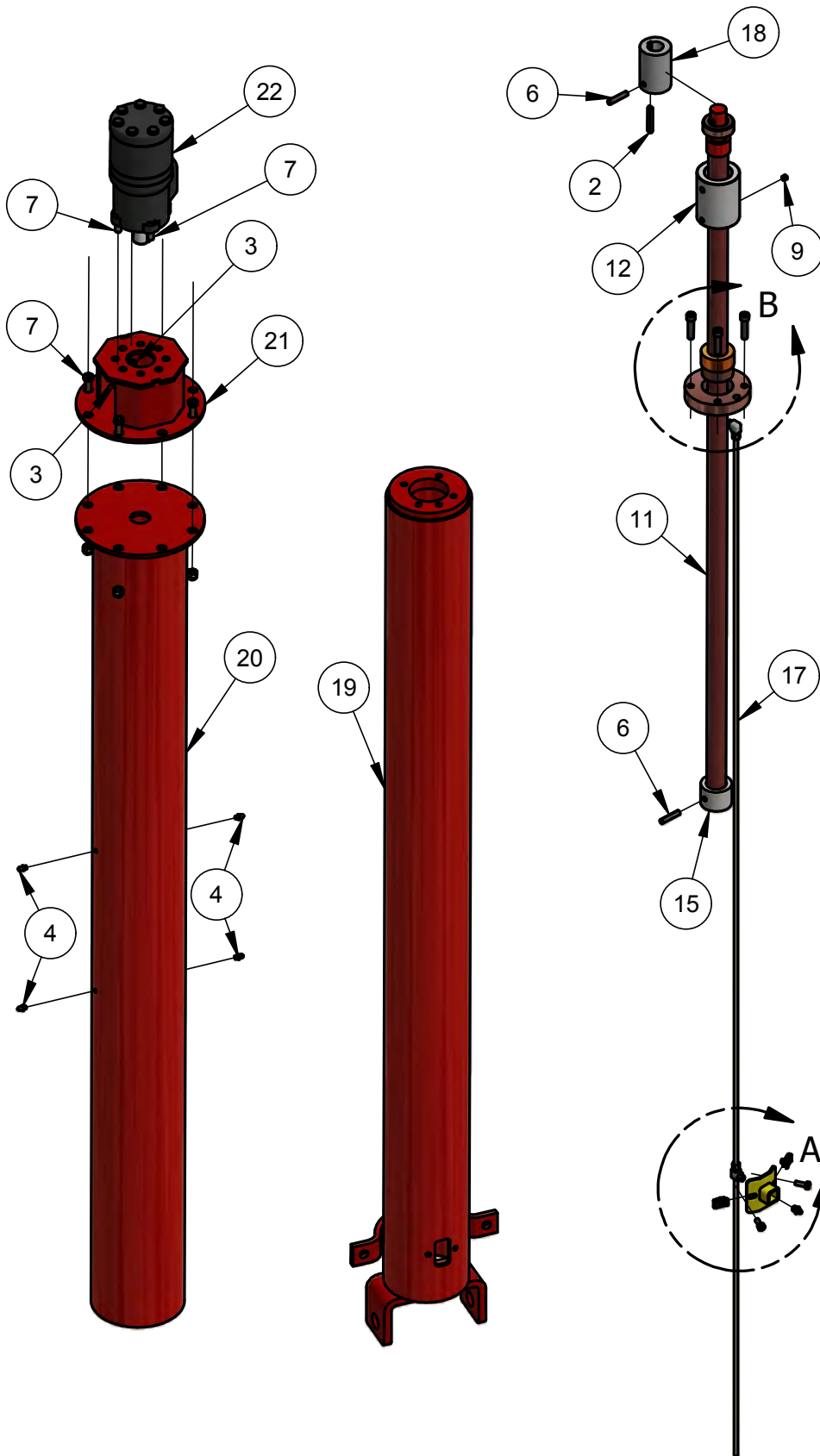
6" Pivot Jack Plate Assembly

SECTION 2 PARTS

ITEM	PART NO.	DESCRIPTION	QTY
-	053406	SET, PIVOT LEG (RIGHT HAND X 2, LEFT HAND X 2)	-
-	053407	ASSEMBLY, LEFT HAND, PIVOT LEG (SHOWN)	-
-	053408	ASSEMBLY, RIGHT HAND, PIVOT LEG	-
1	010002	FASTENER, HHCS, 1/4-20 X 3/4 (p)	4
2	010050	FASTENER, NUT, HEX, JAM, 1/2"-13	2
3	010069	FASTENER, HHCS, 1/2"-13 X 1-1/2", GRADE 8	4
4	010093	FASTENER, LOCK WASHER, 1/2", GRADE 8	4
5	010095	FASTENER, LOCK WASHER, 5/8"	4
6	010110	FASTENER, NUT, HEX 5/8"-11, GRADE 8	4
7	012982	FASTENER, FLAT WASHER, 5/8"	4
8	049351	FASTENER, NUT, HEX, NYLOCK, 3/4"-10, GRADE 8	2
9	050233	FASTENER, SQSS (SQ. HEAD SET SCREW) 1/2"-13 X 2" LONG	2
10	052734	WELDMENT, PIVOT BRACKET, 6", 4836B/6036B	1
11	052153	LUG, ADJUSTING, THREADED	1
12	052159	WELDMENT, ADJUSTING ROD	1
13	052166	WELDMENT, CLAMP PLATE	2
14	053379	FASTENER, BOLT, HHCS, 7/8"-9 X 1-3/4"	2
15	053401	WHEEL, GUIDE	6
16	053402	BEARING, MR-20-N	6
17	053404	FASTENER, BOLT, SHOULDER, 1-1/4" X 1-1/2"	6
18	053405	MOUNT, ROLLER BAR, BDF	1
19	053411	FASTENER, WASHER, FOR JACK PLATE	6
20	053409	WELDMENT, LEG PLATE, LEFT HAND, PIVOT	1
	053410	WELDMENT, LEG PLATE, RIGHT HAND, PIVOT	
21	055038	FASTENER, WASHER, LOCK, 7/8", GRADE 8, YELLOW ZINC	2
22	064810	FASTENER, WASHER, FLAT, 7/8", GRADE 8, YELLOW ZINC	2

SECTION 2 PARTS

6" Power Jack Assembly



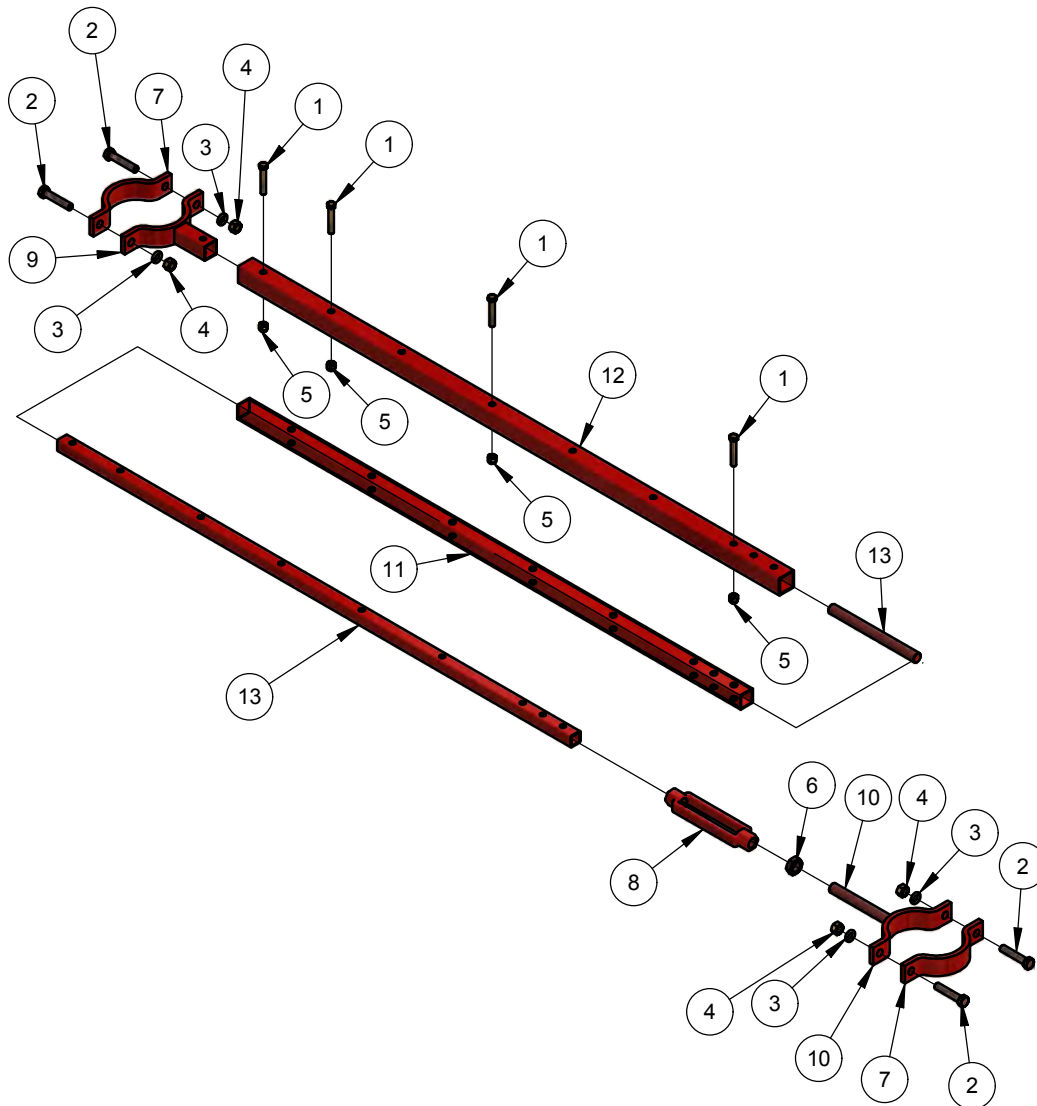
6" Power Jack Assembly

SECTION 2 PARTS

ITEM	PART NO.	DESCRIPTION	QTY
-	052583	ASSEMBLY, POWER JACK, 6"	-
1	010002	FASTENER, HHCS 1/4-20 X 3/4	2
2	010307	KEY, 1/4" X 2" LONG	1
3	010464	FASTENER, NUT NYLOK 3/8-16 GRADE 8	8
4	010513	FITTING, 1/4-28 STRAIGHT GREASE	4
5	016877	FASTENER, SHCS 3/8-16 X 1-1/2	4
6	029092	FASTENER, PIN ROLL 5/16 X 1 1/2	2
7	032875	FASTENER, HHCS 3/8-16 X 1-1/4 GRADE 8	8
8	040280	BEARING, THRUST	1
9	046698	FASTENER, 5/16-18 x 1/4 SELF-LOCK SET SCR	1
10	047546	PAL NUT- 1/4-20	2
11	052120	ADJUSTING SCREW WELDMNT, 1 1/4 ACME	1
12	052121	STOP, UPPER	1
13	052142	GREASE PLATE WELDMNT	1
14	052434	BUSHING ASSEMBLY	1
15	052436	STOP F/ ADJ SCR	1
16	052439	COMP FITTING 90 DEG	2
17	052440	NYLON TUBING 1/4"	1
18	052460	SHAFT COUPLER	1
19	052579	LOWER LEG WELDMNT, F/ 6" JACK, 4836	1
20	052581	UPPER LEG WELDMNT, 6" F/ 4836	1
21	053413	WELDMNT, MOTOR MOUNT	1
22	059707	MOTOR, HYDRAULIC BDF	1
23	201163	FITTING, 1/8-27 PTF STR GREASE	1

SECTION 2 PARTS

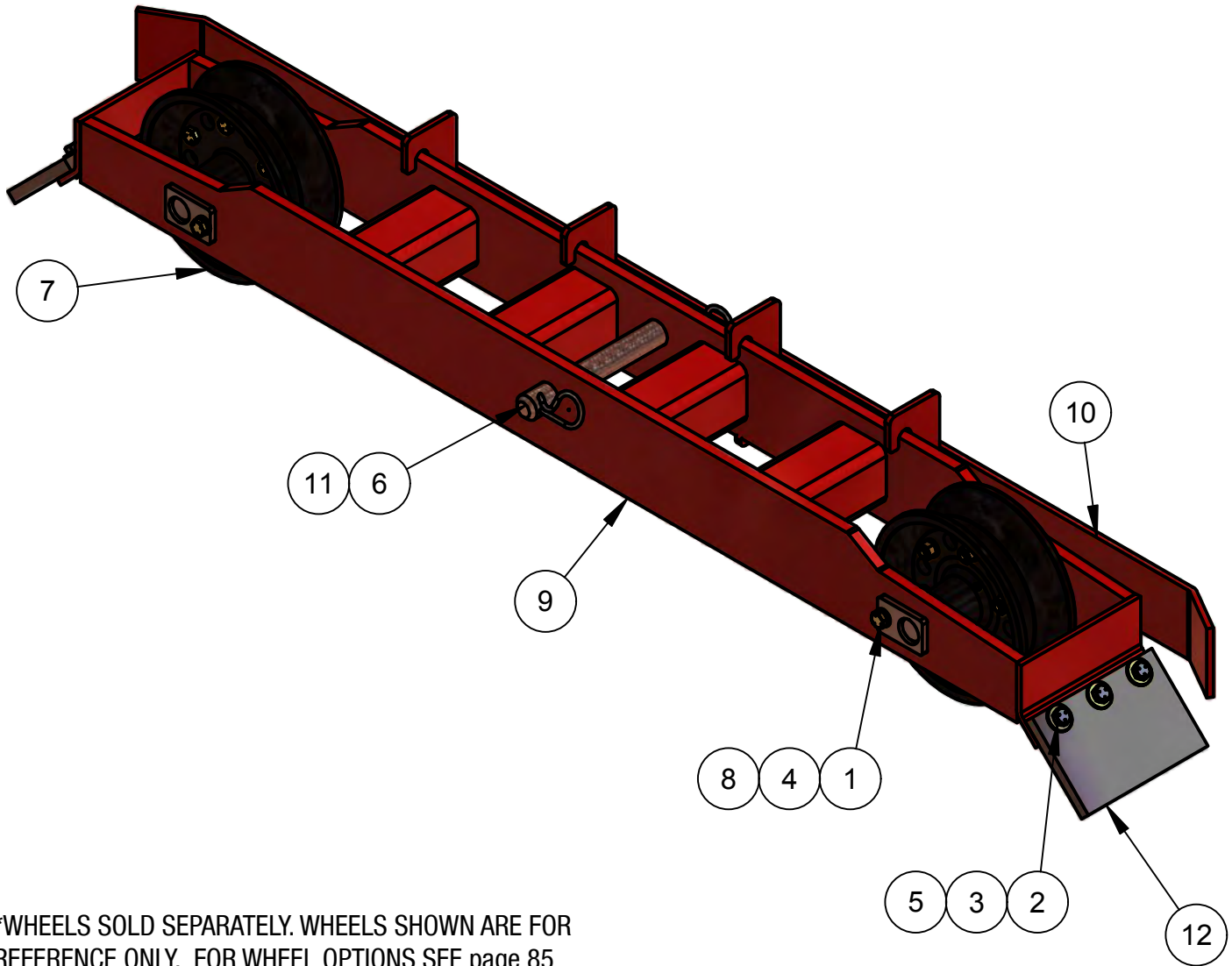
Leg Brace Assembly



ITEM	PART NO.	DESCRIPTION	QTY
-	052270	ASSEMBLY, LEG BRACE	-
1	010040	FASTENER, BOLT, HHCS, 3/8"-16 X 2", GRADE 5	4
2	010073	FASTENER, BOLT, HHCS, 1/2"-13 X 2-1/2", GRADE 5	4
3	010093	FASTENER, LOCK WASHER, 1/2", GRADE 8	4
4	010106	FASTENER, NUT HEX 1/2"-13, GRADE 8	4
5	010464	FASTENER, NUT NYLOK 3/8"-16, GRADE 8	4
6	035565	FASTENER, JAM NUT 3/4"-10	1
7	052022	CLAMP, 4"	2
8	052198	3/4" x 6" TURNBUCKLE	1
9	052262	CLAMP, JACK STABILIZER SQUARE END	1
10	052264	CLAMP, JACK STABILIZER ADJUSTMENT	1
11	052265	TUBE, MIDDLE JACK STABILIZER	1
12	052267	OUTER TUBE	1
13	052269	TUBE WELDMENT	1

Idler Bogie Assembly

SECTION 2 PARTS



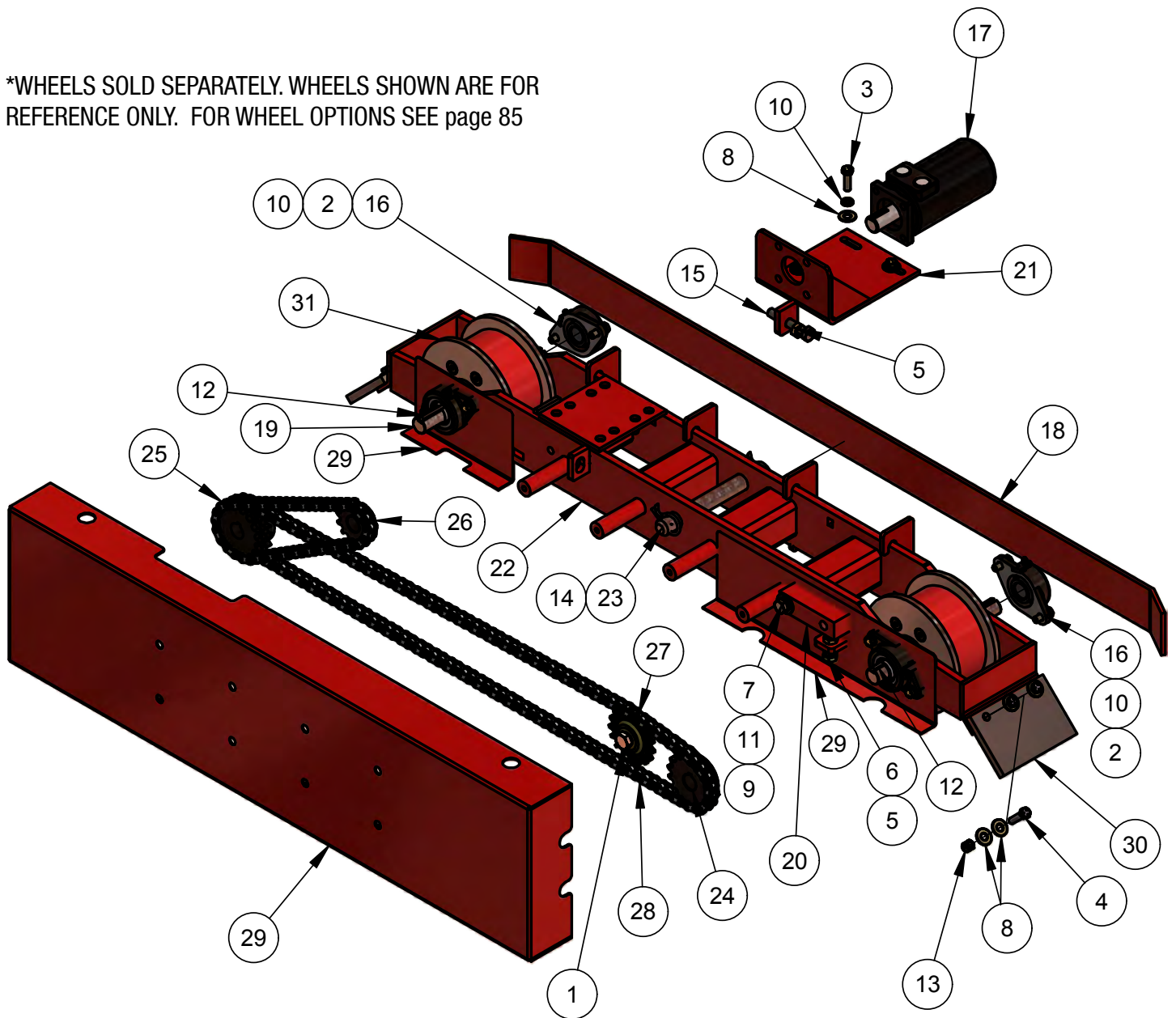
*WHEELS SOLD SEPARATELY. WHEELS SHOWN ARE FOR REFERENCE ONLY. FOR WHEEL OPTIONS SEE page 85

ITEM	PART #	DESCRIPTION	QTY
-	052018	ASSEMBLY, IDLER BOGIE	1
1	010036	FASTENER, BOLT, HHCS 3/8"-16 X 1"	2
2	010038	BOLT, 3/8-16x1-1/2 GR 5 HHCS	6
3	010083	FASTENER, FLAT WASHER, Ø3/8 ID USS	12
4	010091	FASTENER, LW 3/8	2
5	010464	FASTENER, NUT NYLOK 3/8-16	6
6	022110	COTTERS, HAIRPIN	2
7	052001	WHEEL ASSEMBLY (SOLD SEPARATELY; SEE page 85 FOR OTHER WHEEL OPTIONS)	2
8	052008	AXLE F/ PIPE WHEEL	2
9	052016	BOGIE WELDMENT	1
10	052017	REBAR PUSHER	1
11	052136	PIN, 1 X 8 1/2	1
12	052589	RUBBER SCRAPER	2

SECTION 2 PARTS

Driver Bogie Assembly

*WHEELS SOLD SEPARATELY. WHEELS SHOWN ARE FOR REFERENCE ONLY. FOR WHEEL OPTIONS SEE page 85



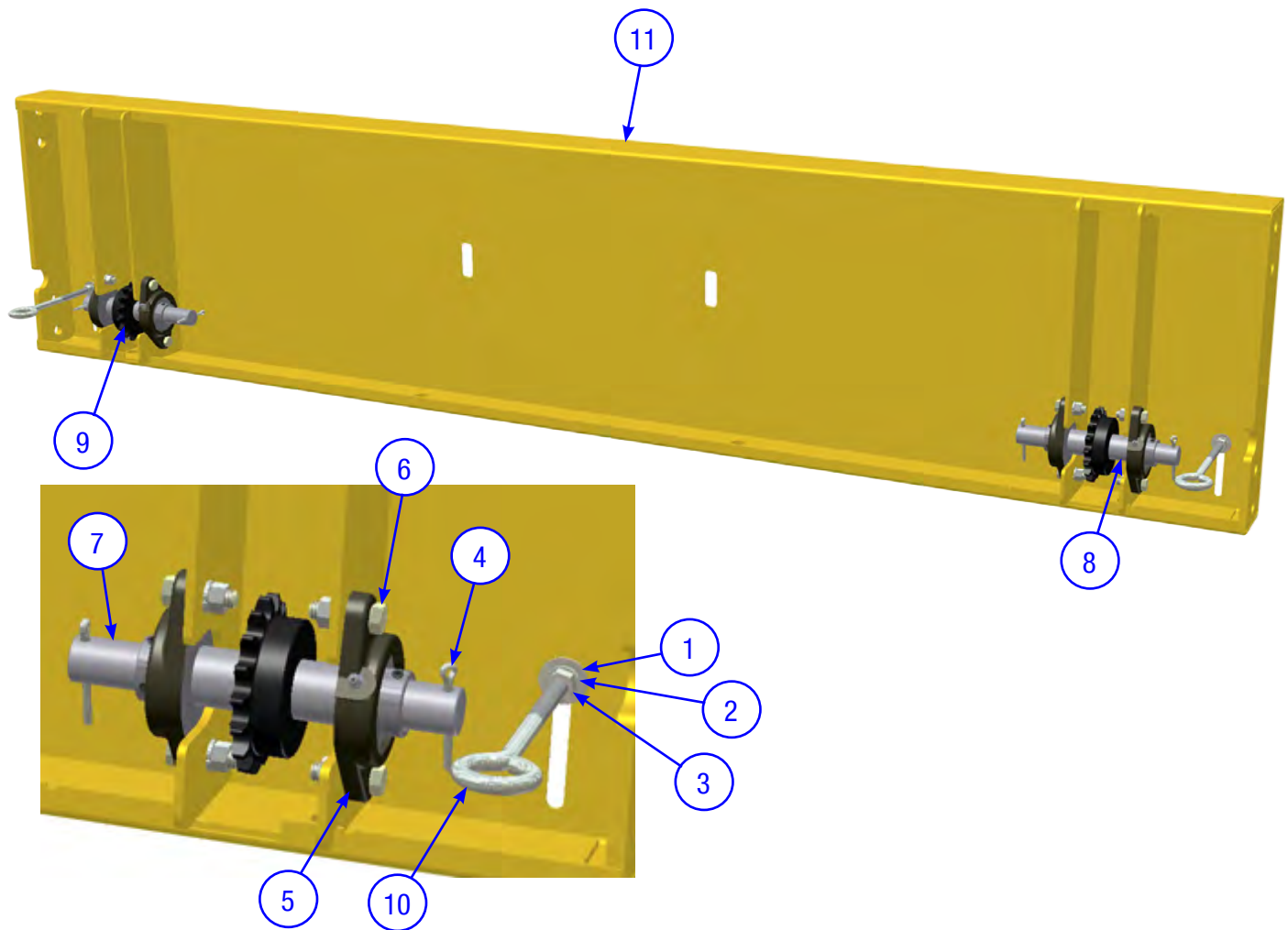
Driver Bogie Assembly

SECTION 2 PARTS

ITEM	PART NO.	DESCRIPTION	QTY
-	065030	ASSEMBLY, BOGIE, LEFT HAND, 36" DRIVER	-
-	065031	ASSEMBLY, BOGIE, RIGHT HAND, 36" DRIVER	-
1	010002	FASTENER, BOLT, HHCS, 1/4"-20 X 3/4" (p)	1
2	010036	FASTENER, BOLT, HHCS, 3/8"-16 X 1" GRADE 8	8
3	010037	FASTENER, BOLT, HHCS, 3/8"-16 X 1-1/4" GRADE 5	4
4	010038	FASTENER, BOLT, HHCS, 3/8"-16 X 1-1/2" GRADE 5	6
5	010050	FASTENER, NUT, HEX, JAM 1/2-13	2
6	010070	FASTENER, HHCS 1/2"-13 X 2-1/4", GRADE 5	1
7	010072	FASTENER, HHCS 1/2"-13 X 2-1/4", GRADE 5	1
8	010083	FASTENER, FLAT WASHER, 3/8"	16
9	010085	FASTENER, FLAT WASHER, 1/2", GRADE 8	1
10	010091	FASTENER, LOCK WASHER, 3/8"	12
11	010093	FASTENER, LOCK WASHER, 1/2", GRADE 8	1
12	010307	KEY, 1/4" X 2" LONG	3
13	010464	FASTENER, NUT, NYLOK, 3/8"-16, GRADE 8	6
14	022110	COTTERS, HAIRPIN	2
15	038388	FASTENER, HHCS, 1/2"-13 X 3", TAP BOLT	1
16	046904	BEARING, Ø1 ID RCJT-1 FLANGE	4
17	050468	MOTOR, HYDRAULIC VICKERS146-1233-002	1
18	052017	REBAR PUSHER	1
19	052032	AXLE, DRIVE F/ BOGIE	2
20	052034	BLOCK, CHAIN TENSIONING	1
21	052037	MOTOR MOUNT BRACKET	1
22	052033	BOGIE WELDMENT, DRIVER, LEFT HAND	1
	052052	BOGIE WELDMENT, DRIVER, RIGHT HAND	1
23	052136	PIN, 1 X 8 1/2	1
24	052189	SPROCKET, 50BS17HT	1
25	052191	SPROCKET, D50BS17H	1
26	052195	SPROCKET, 50BS13HT 1" (MARTIN)	1
27	052197	PULLEY, IDLER AG 2416 (AETNA)	1
28	052273	CHAIN, 50 AQUA RIV, 10'	1
29	052465	COVER, LEFT HAND, BOGIE DRIVE	1
30	052589	SCRAPER	2
31	065015	DOUBLE FLANGE WITH POLYURETHANE COATING (SOLD SEPARATELY; SEE page 85 FOR OTHER WHEEL OPTIONS)	2

SECTION 2 PARTS

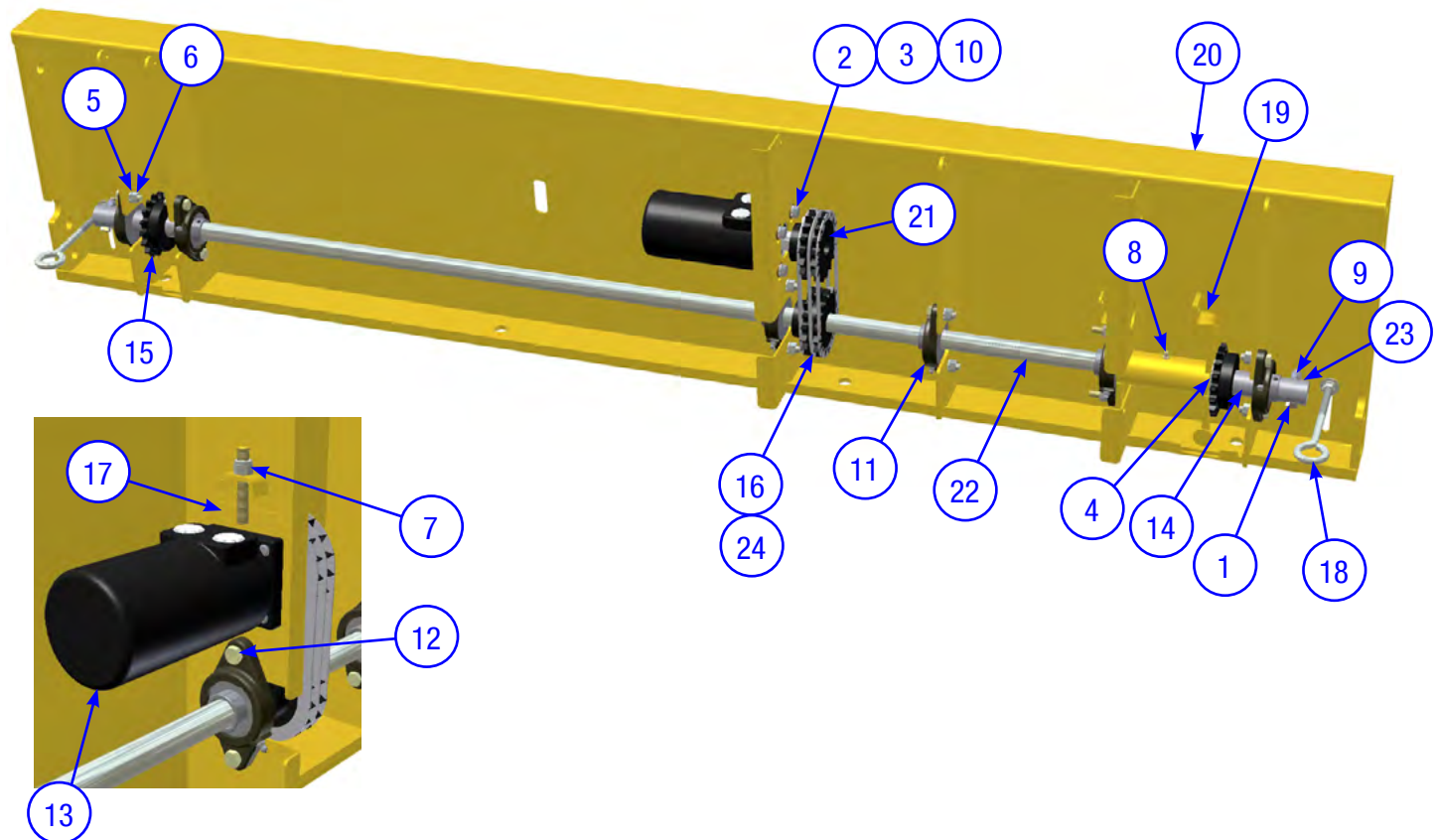
Idle End Chain Mount Assembly, 052512



ITEM	PART #	DESCRIPTION	QTY
1	010083	FSTN, FW 3/8	4
2	010091	FSTN, LW 3/8	12
3	010102	FSTN, NUT HEX 3/8-16	12
4	010133	PIN, Ø3/16 X 2 ZP STL COTTER	4
5	019334	BEARING, Ø1 ID SCJT-1 FLANGE	4
6	032875	FSTN, HHCS 3/8-16 X 1-1/2 GR 8	8
7	052071	AXLE, 1" X 7"	2
8	052096	SPACER, 1 1/4 X 1 1/16	4
9	052189	SPROCKET, 50BS17HT	2
10	052315	I-BOLT	2
11	052415	END PANEL WMNT, 6048	1

Drive End Chain Mount Assembly, 052513, Old

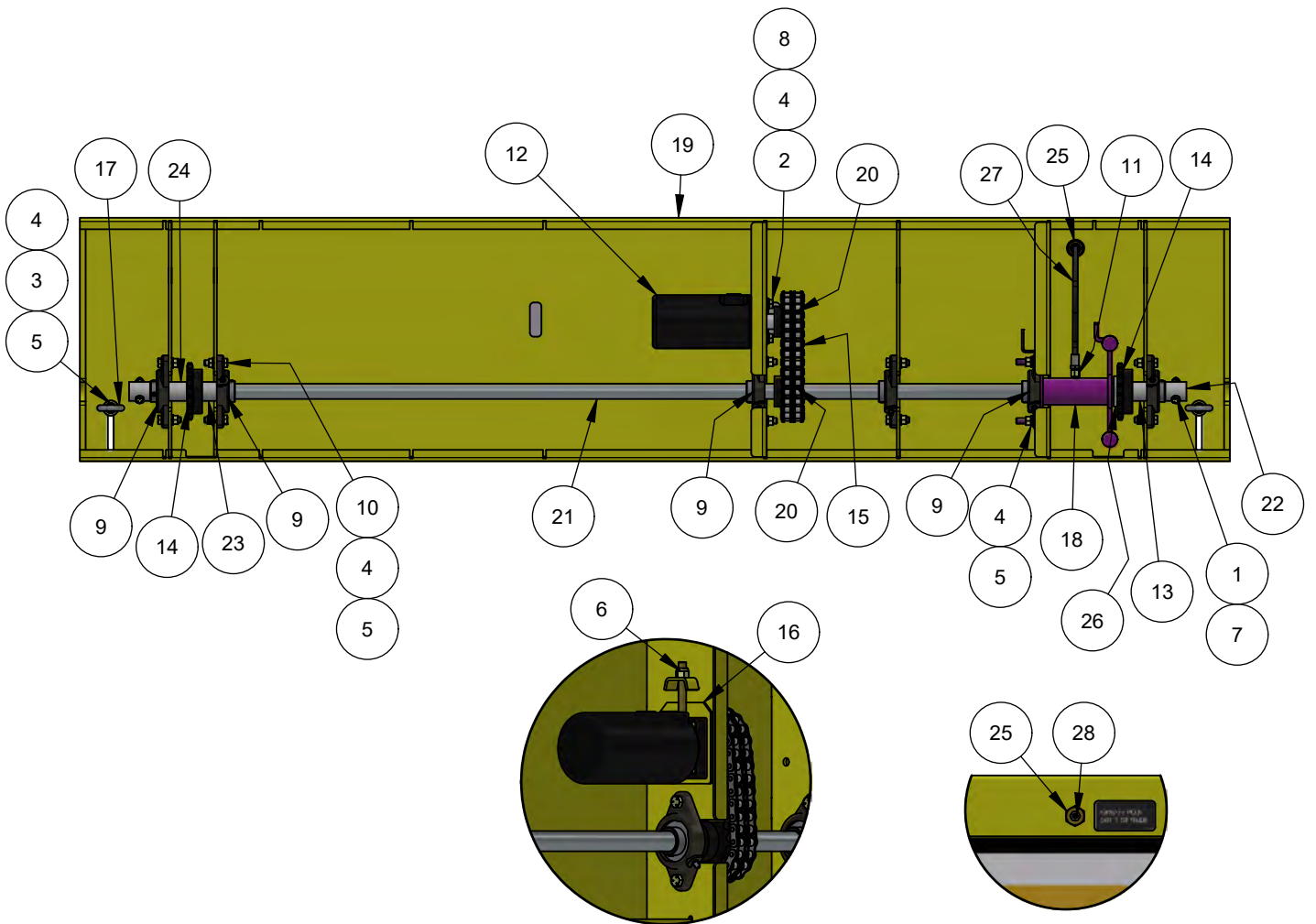
SECTION 2 PARTS



ITEM	PART #	DESCRIPTION	QTY
1	010023	FSTN, HHCS 5/16-18 X 3/4 GR 5	2
2	010036	FSTN, HHCS 3/8-16 X 1	4
3	010083	FSTN, FW 3/8	6
4	010088	FSTN, FW 1	1
5	010091	FSTN, LW 3/8	20
6	010102	FSTN, NUT HEX 3/8-16	16
7	010464	FSTN, NUT NYLOK 3/8-16	1
8	010513	FITTING, 1/4-28 STR GREASE	1
9	012612	FSTN, NUT HEX NYLOCK 5/16-18	2
10	017751	FSTN, FW HARD A325 3/8	4
11	019334	BEARING, Ø1 ID SCJT-1 FLANGE	6
12	032875	FSTN, HHCS 3/8-16 X 1-1/2 GR 8	10
13	050469	HYD MOTOR	1
14	052096	SPACER, 1 1/4 X 1 1/16	3
15	052189	SPROCKET, 50BS17HT	2
16	052190	CHAIN ROLLER, 50-2	1.7'
17	052300	ADJUSTING PLATE	1
18	052315	I-BOLT	2
19	052374	VALVE ACTUATING ARM	1
20	052417	END PANEL WMNT, DRIVER, 6048	1
21	052502	SPROCKET, 50 2R17 TOOTH 2" HUB	2
22	052514	SHAFT, 1 X 52	1
23	052718	SPACER, 1 1/4 X 1 1/16	2
24	052990	MASTER LINK F/ 50-2	1

SECTION 2 PARTS

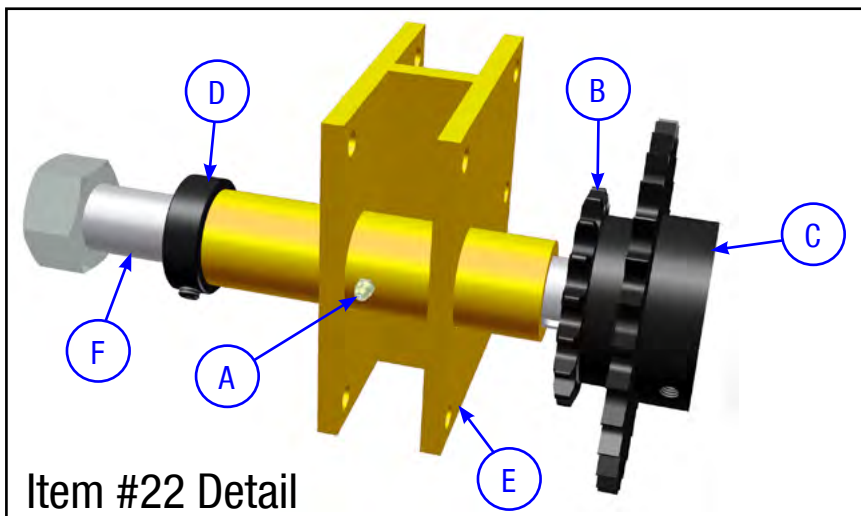
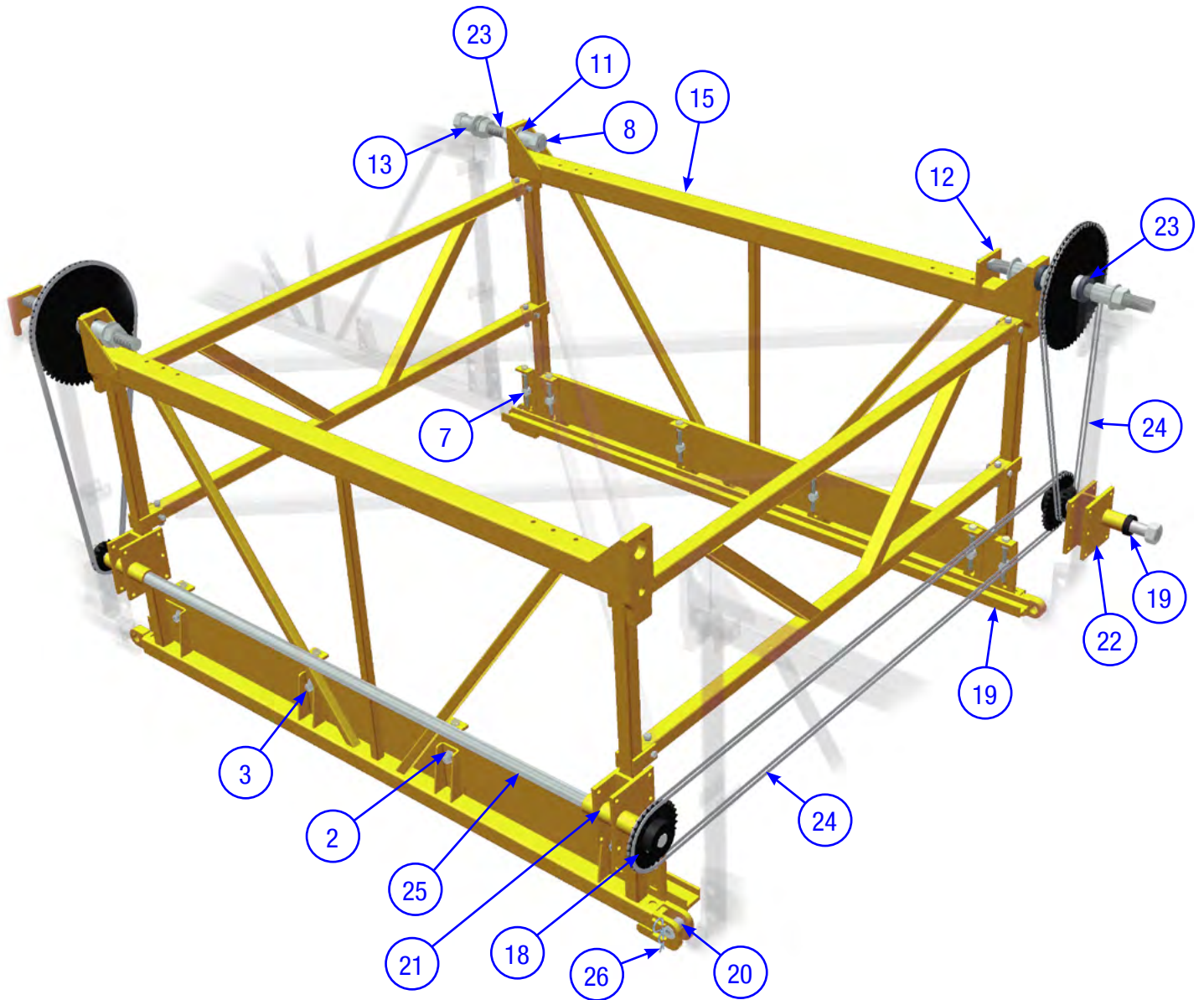
Drive End Chain Mount Assembly, 052513, Updated



ITEM	PART #	DESCRIPTION	QTY
-	052513	ASSEMBLY, DRIVE END PANEL 6048BDF	-
1	010023	FSTN, HHCS 5/16-18 X 3/4 GR 5	2
2	010036	FSTN, HHCS 3/8-16 X 1	4
3	010083	FSTN, FW 3/8	6
4	010091	FSTN, LW 3/8	20
5	010102	FSTN, NUT HEX 3/8-16	16
6	010464	FSTN, NUT NYLOK 3/8-16	1
7	012612	FSTN, NUT HEX NYLOCK 5/16-18	2
8	017751	FSTN, FW HARD A325 3/8	4
9	019334	BEARING, Ø1 ID SCJT-1 FLANGE	6
10	032875	FSTN, HHCS 3/8-16 X 1-1/2 GR 8	10
11	050449	FITTING, ADAPTER MALE 1/4"-28 TAPER X 1/8" NPTF	2
12	050469	HYD MOTOR	1
13	052096	SPACER, 1 1/4 X 1 1/16	3
14	052189	SPROCKET, 50BS17HT	2
15	052190	CHAIN ROLLER, 50-2	1.7'
16	052300	ADJUSTING PLATE	1
17	052315	I-BOLT	2
18	052374	VALVE ACTUATING ARM	1
19	052417	END PANEL WMNT, DRIVER, 6048	1
20	052502	SPROCKET, 50 2R17 TOOTH 2" HUB	2
21	052514	SHAFT, 1 X 52	1
22	052718	SPACER, 1 1/4 X 1 1/16	2
23	060486	SPACER TUBE FOR IDLE AND DRIVE END SPROCKETS	1
24	060487	OUTER SPACER TUBE FOR IDLE AND DRIVE SPROCKET	1
25	062423	FITTING, BULK HEAD 1/8"NPT X 5/8"-18 OD	1
26	062922	SPACER FOR END PANEL ASSEMBLY DRIVER	1
27	063085	GREASE HOSE, 12" LONG W/ 1/8" NPT MALE ENDS	1
28	201163	GREASE FITTING, 1/8"-27	1

**SECTION 2
PARTS**

Skew Brace Assembly



Item #22 Detail

Skew Base Assembly

SECTION 2 PARTS

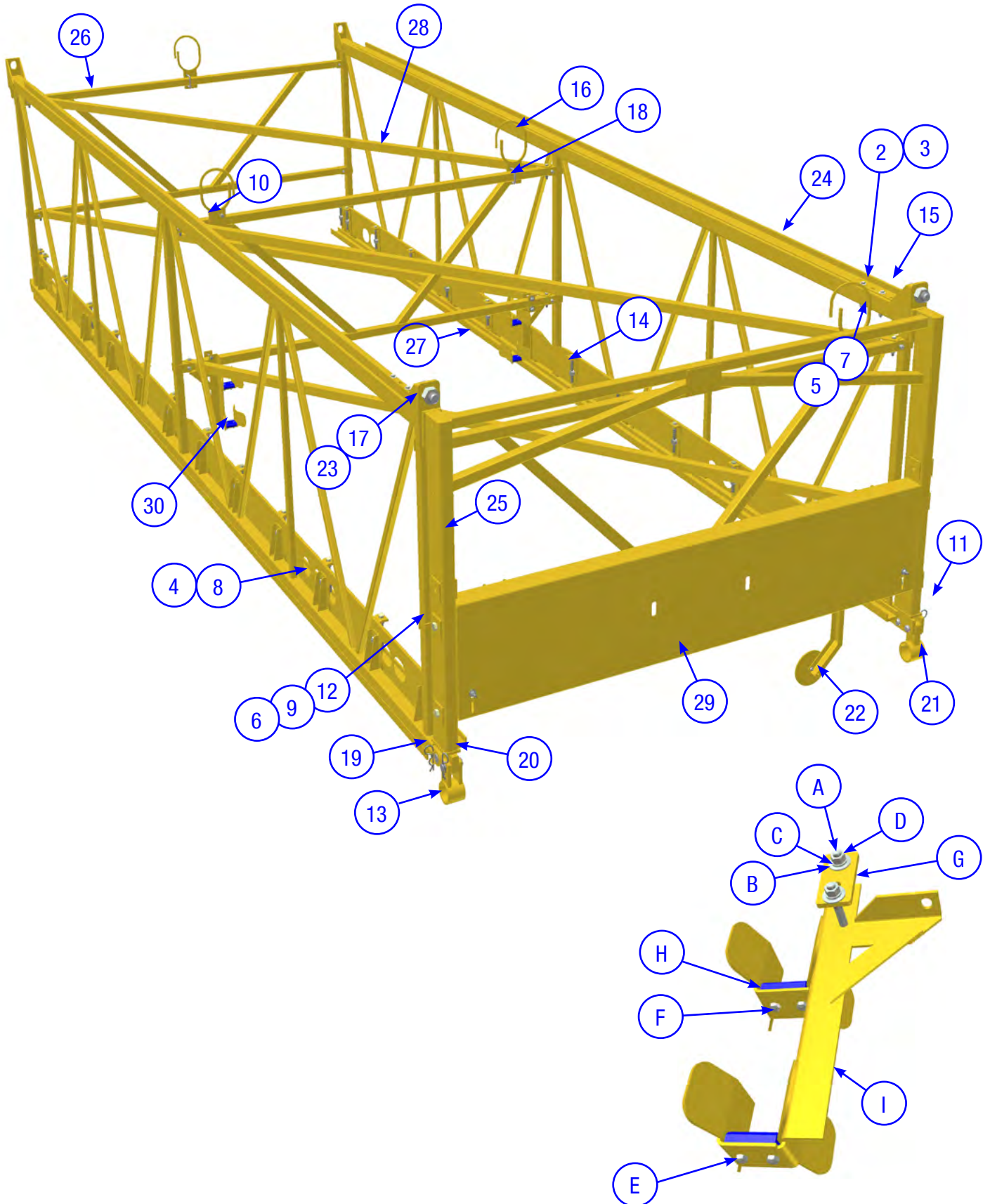
ITEM	PART #	DESCRIPTION	QTY
1	010042	FASTENER, HHCS 3/8-16 X 2-1/2 GR 5	16
2	010085	FASTENER, FLAT WASHER, 1/2"	12
3	010106	FASTENER, NUT HEX 1/2-13	12
4	010464	FASTENER, NUT NYLOK 3/8-16	16
5	052021	SPROCKET ASSEMBLY	2
6	052085	CROSS FRAME, 3648	2
7	052108	ADJUST BOLT, BRIDGE DECK TRACK	12
8	052156	HEX NUT, 1-1/4-7	8
9	052167	CROWN ADJ BOLT	2
10	052168	SPHERICAL WASHER SET, 1-1/4"	4
11	052169	FLAT WASHER, 1 1/4	8
12	052170	BOLT RETAINER	2
13	052171	SPACER, 1 1/2 X 3/16 X 2	6
14	052172	THRUST BEARING, 1 1/4"	2
15	052180	FRAME WELDMENT, 72 X 36	8
16	052186	ANGLE BRACE, 85 3/4"	4
17	052189	SPROCKET, 50BS17HT	1
18	052192	SPROCKET, 50BS30HT 1-1/4 (MARTIN)	1
19	052207	RAIL ASSEMBLY, 6'	2
20	052233	PIN, 1"	2
21	052240	WELDMENT, CROWN ADJ BDF	2
22	052241	CROWNER ASSEMBLY (SEE BELOW)	1
23	052472	ALL THREAD, 1 1/4-7 X 13 BDF	1
24	052271	CHAIN, AQUA C2050AQ RIV	1
25	052326	SHAFT, CROWN ADJ	1
26	022110	FASTENER, PIN HAIR 3/16 X 3-3/4	1

ITEM # 22 - CROWNER ASSEMBLY

ITEM	PART #	DESCRIPTION	QTY
A	010513	FITTING, 1/4-28 STRAIGHT GREASE	1
B	052189	SPROCKET, 50BS17HT 1 MARTIN	1
C	052192	SPROCKET, 50BS30HT 1-1/4 (MARTIN)	1
D	052200	COLLAR, SHAFT 1C-125 SPLIT (CLIMAX)	1
E	052240	WELDMENT, CROWN ADJ BDF	1
F	052242	WELDMENT, CROWN ADJ SHAFT BDF	1

**SECTION 2
PARTS**

18' Idle End Frame Assembly - 052442



18' Idle End Assembly - 052442

SECTION 2 PARTS

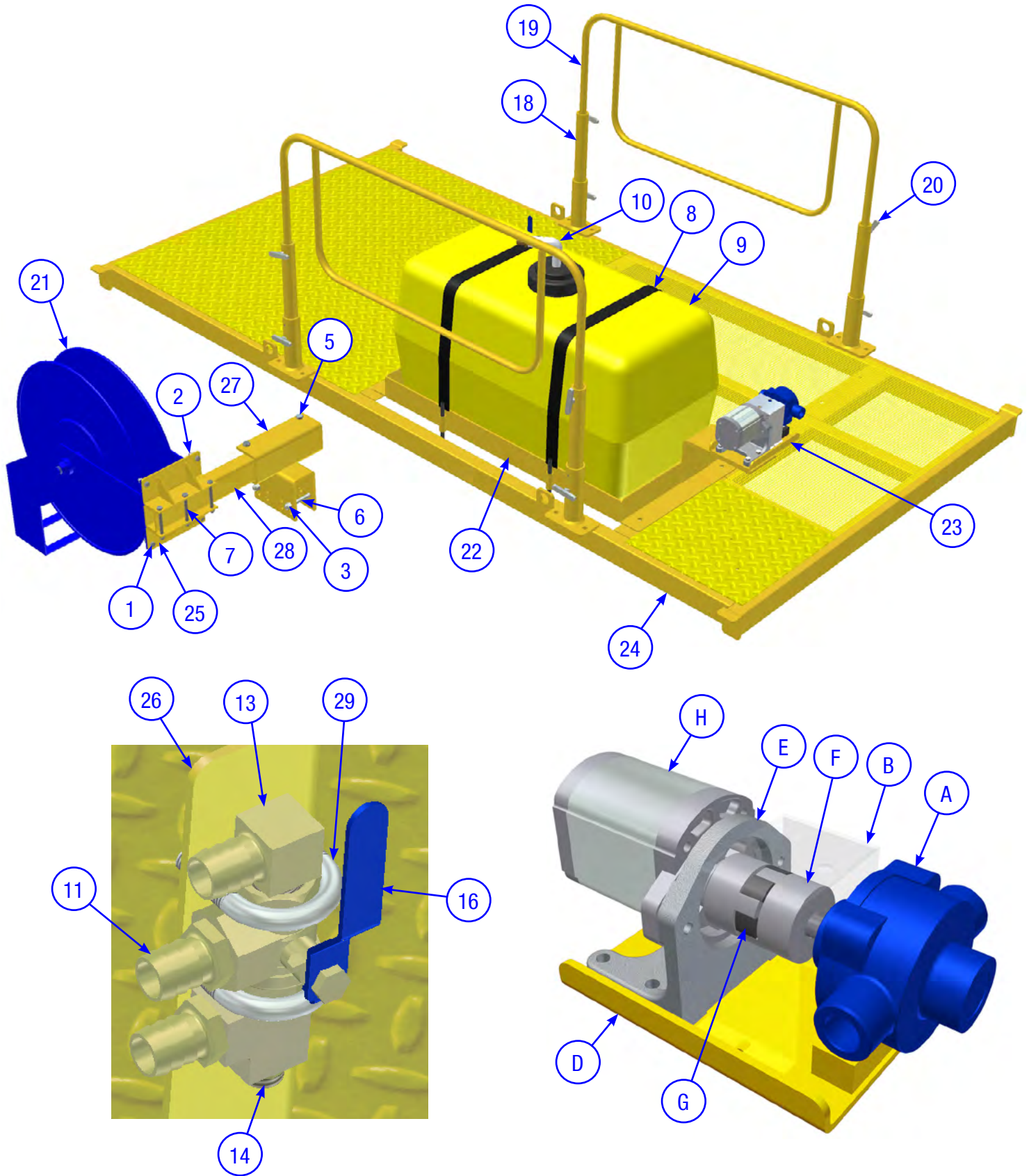
ITEM	PART #	DESCRIPTION	QTY
1	010042	FSTN, HHCS 3/8-16 X 2-1/2 GR 5	20
2	010046	FSTN, HHCS 3/8-16 X 3-1/2	4
3	010083	FSTN, FW 3/8	8
4	010085	FSTN, FW 1/2	28
5	010091	FSTN, LW 3/8	4
6	010095	FSTN, LW 5/8	4
7	010102	FSTN, NUT HEX 3/8-16	4
8	010106	FSTN, NUT HEX 1/2-13	28
9	010110	FSTN, NUT HEX 5/8-11 GR 8	4
10	010464	FSTN, NUT NYLOK 3/8-16	28
11	022110	COTTERS, HAIRPIN	5
12	049346	FSTN, HHCS 5/8-11x3-3/4 GR 8	4
13	052088	LIFTING RING	1
14	052108	ADJUST BOLT, BRIDGE DECK TRACK	28
15	052114	ANGLE FILLER	2
16	052137	HOSE HANGER	4
17	052156	HEX NUT, 1 1/4-7	2
18	052162	U-BOLT	4
19	052233	PIN, 1"	4
20	052275	CLEVIS PIN, 1"	1
21	052302	LIFTING RING	1
22	052322	TARGET ASSEMBLY, 6048	1
23	052323	HEX BOLT, 1 1/4 X 3	2
24	052400	FRAME WMNT, 48" X 18'	2
25	052411	END FRAME WMNT	1
26	052418	CROSS FRAME, 18"	3
27	052420	RAIL ASSEMBLY	2
28	052467	ANGLE BRACE, 128"	4
29	052512	END PANEL ASSEMBLY, IDLE, 6048	1
30	052516	CHAIN HANGER	2

ITEM #30 PARTS LIST

ITEM	PART #	DESCRIPTION	QTY
A	010042	FSTN, HHCS 3/8-16 X 2-1/2 GR 5	2
B	010083	FSTN, FW 3/8	2
C	010091	FSTN, LW 3/8	2
D	010102	FSTN, NUT HEX 3/8-16	2
E	020542	FSTN, NUT STOVER LOCK 1/4-20	4
F	043265	BOLT, FLAT HD, ALLEN, 1/4-20	4
G	052250	CLAMP PLATE	1
H	052254	WEAR PLATE, CHAIN GUIDE	2
I	052257	CHAIN SUPPORT, 4860	1

SECTION 2 PARTS

Upper Fog System Assembly



Upper Fog System Assembly

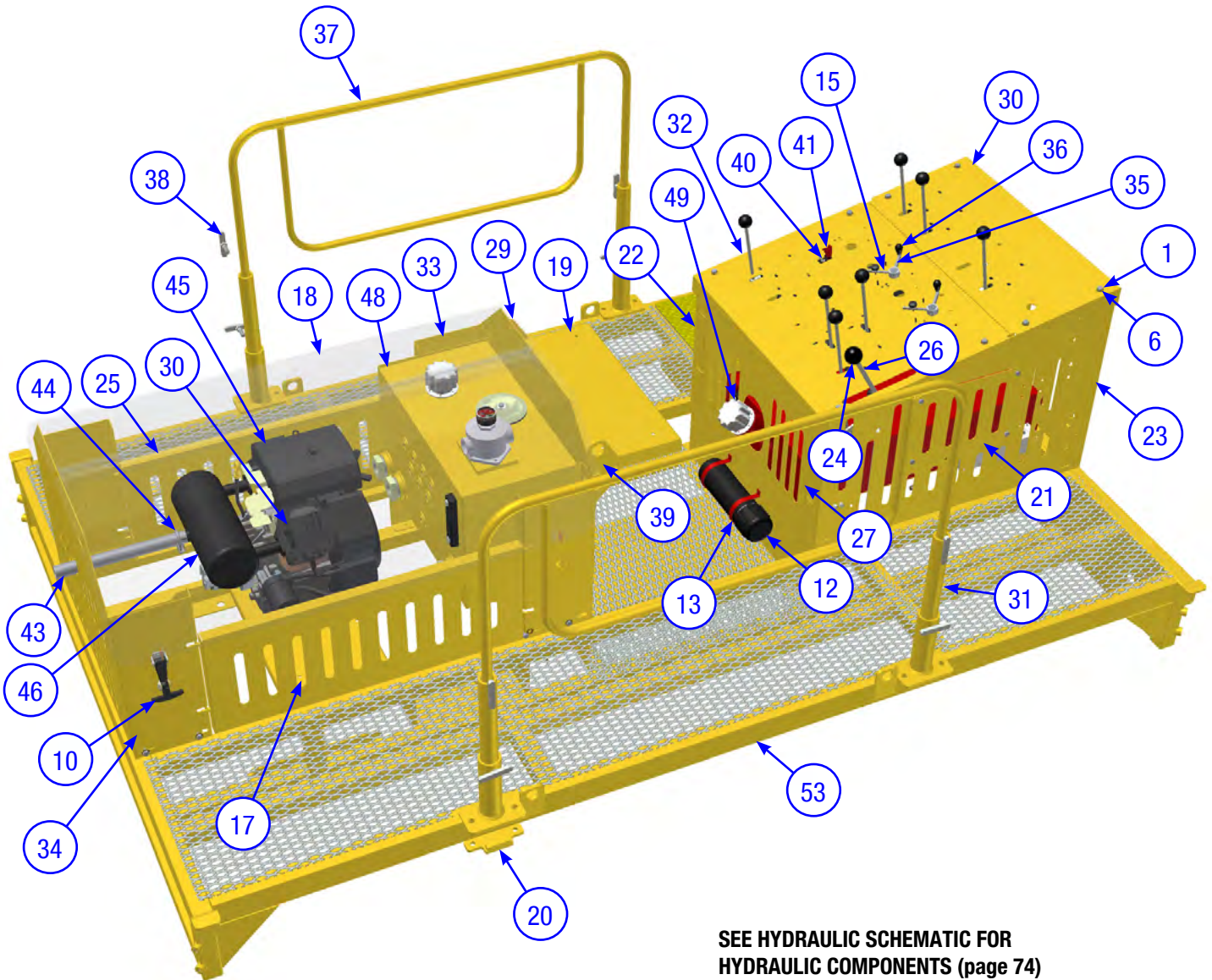
SECTION 2 PARTS

ITEM	PART #	DESCRIPTION	QTY
1	010037	FSTN, HHCS 3/8-16 X 1-1/4 GR 5	4
2	010464	FSTN, NUT NYLOK 3/8-16	7
3	011238	FSTN, NUT HEX NYLOK 1/2-13	4
4	017751	FSTN, FW HARD A325 3/8	4
5	019541	HHCS 1/2-13 X 5	2
6	023003	FSTN, HHCS 1/2-13 X 4	2
7	026737	FSTN, HHCS 3/8-16 X 4" LONG GR5	3
8	029139	STRAP, BARREL BRACKET TRTF	2
9	029317	TANK, WATER 55 GAL W/ HOLE IN CAP	1
10	038233	ASSEMBLY, RETURN TUBE F/ TRTP	1
11	040108	FTG, 3/4 MPT x 3/4 HOSE BARB	2
12	040109	FTG, 3/4 MPT x 3/4 GARDEN	1
13	040110	FTG, 3/4 MPT x 3/4 90° HOSE BARB	1
14	040114	FTG, 3/4 FPT TEE	1
15	040116	FTG, 3/4 CLOSE NIPPLE	1
16	047412	VALVE, 3-WAY BALL 3/4"	1
17	048382	Y-STRAINER, POLY 3/4 NPT F/ TRTP	1
18	050582	HANDRAIL EXT TUBE	4
19	050599	HANDRAIL WELDMNT	2
20	050601	TEE BOLT WELDMNT	8
21	050607	HOSE REEL W/ BLUE HOSE	1
22	050609	BRKT, MOD 255BD BARREL	1
23	050614	PUMP ASSY SPRAY SYSTEM	1
24	050627	MAIN DECK WELDMNT	1
25	050666	HOSE REEL MOUNTING BRACKET	2
26	050697	PLATE, BALL VALVE MOUNT F/ SPRAY	1
27	052498	MNT BRKT F/ HOSE REEL	1
28	052499	EXTEN TUBE F/ HOSE REEL	1
29	116008	FSTN, CLAMP U-BOLT #320	2

ITEM # 23 PARTS LIST			
ITEM	PART #	DESCRIPTION	QTY
A	029418	PUMP, HYPRO 6500C-R	1
B	039788	GUARD, F/HYD. WATER PUMP TRTP	1
C	039789	SPACER, BLOCK F/WATER PUMP F/TRTP	1
D	039790	PLATE, F/HYD. MOTOR & H2O PUMP F/TRTP	1
E	040059	FOOT BRACKET, WATER PUMP TRTP	1
F	040060	COUPLER, JAW F/ WATER PUMP (TRTP)	2
G	040061	INSERT, JAW COUPLER WATER PUMP TRTP	1
H	040065	MOTOR, WATER PUMP (TRTP)	1

SECTION 2 PARTS

Power Unit Assembly - 052529



**SEE HYDRAULIC SCHEMATIC FOR
HYDRAULIC COMPONENTS (page 74)**

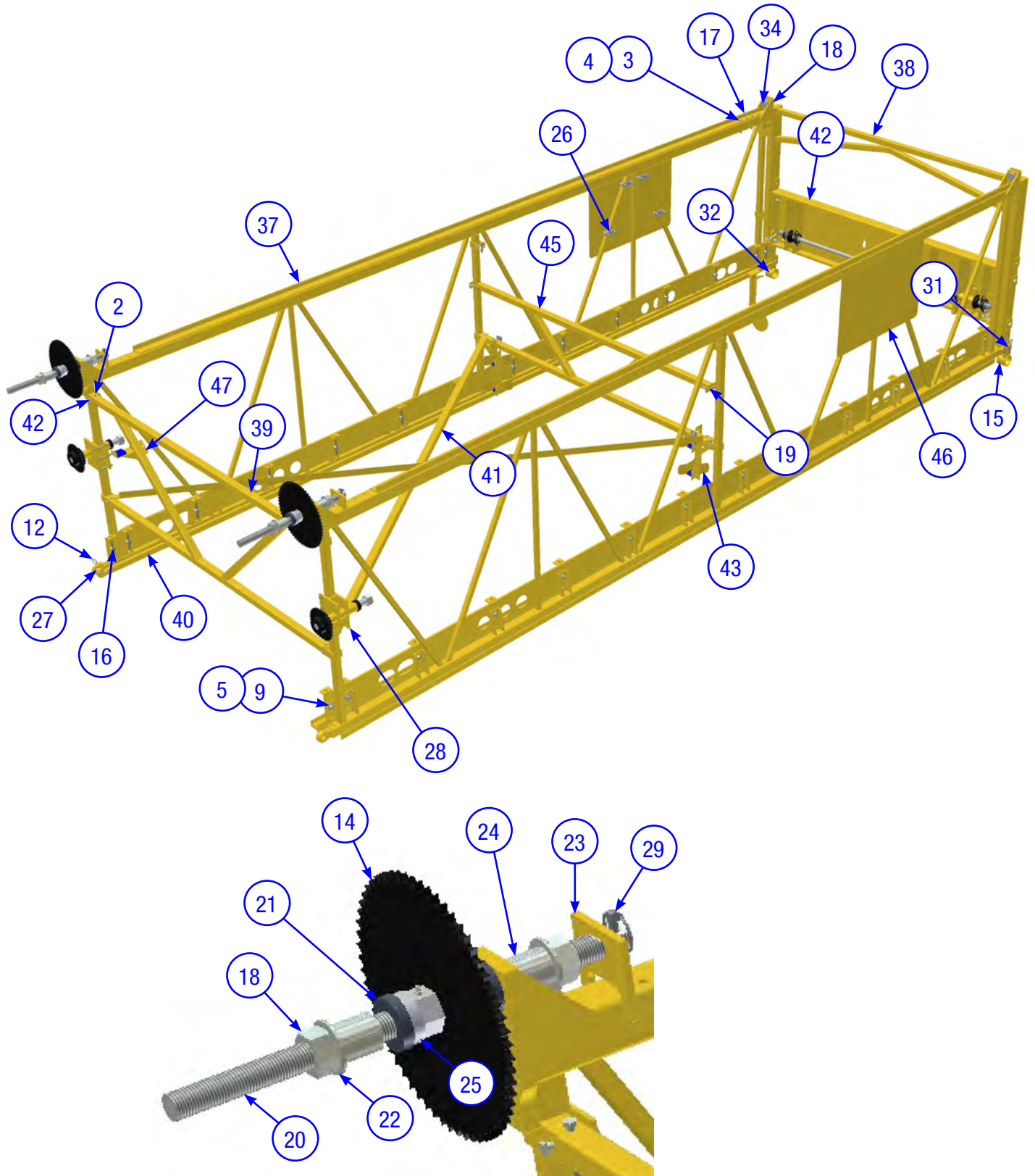
Power Unit Assembly - 052529

SECTION 2 PARTS

ITEM	PART #	DESCRIPTION	QTY
1	010036	FSTN, HHCS 3/8-16 X 1	24
2	010089	FSTN, LW 1/4	6
3	010098	FSTN, NUT HEX 1/4-20	2
4	011238	HEX NYLOK, 1/2-13	8
5	011490	FLAT WASHER, 1/2, HARD	8
6	017751	FSTN, FW HARD A325 3/8	25
7	019429	5/16" FUEL LINE	10'
8	019541	HHCS, 1/2-13 X 5 FR5	8
9	023869	BATTERY TERMINAL	2
10	042260	LATCH, T-HANDLE EXTRA-LARGE DRAW	4
11	048658	PUMP, AUXILLARY X1	1
12	066255	MANUAL TUBE, LARGE	1
13	-	N/A	-
14	050450	VALVE, FINISH TUBES AO100T4LD	3
15	050458	VALVE, FLOW CONTROL	2
16	050473	RELIEF CARTRIGE, VALVE	2
17	050544	ENGINE PLATE F/ 4836B	1
18	050550	ENGINE COVER WELDMNT	1
19	050552	SEAT PLATE WELDMNT	1
20	050555	WMNT, PU CLAMP PLATE BDF	1
21	050558	SIDE PANEL OPERATOR CONSOLE	2
22	050561	LEFT HAND CONSOLE PANEL WELDMNT	1
23	050562	RIGHT CONSOLE PANEL WELDMNT	1
24	050567	KNOB, 2" BLACK PHENOLIC BALL	1
25	050569	LOWER ENGINE SIDE PANEL WELDMNT	2
26	050570	SHIFT LEVER WELDMNT	1
27	050577	REAR HYD CONSOLE PANEL WELDMNT	1
28	050578	FRONT HYD CONSOLE PANEL WELDMNT	1
29	050580	SEAT MNT BRKT RH	1
30	050581	UPPER CONTROL PANEL POWER UNIT	1
31	050582	HANDRAIL EXT TUBE	4
32	050583	CONTROL PANEL F/ MAIN FRAME	1
33	050586	HYD TANK SIDE WELDMNT	1
34	050587	REAR HOOD MNT WELDMNT	1
35	050595	FLOW CONTROL LEVER	2
36	050596	KNOB, TEARDROP, 3/8-16	2
37	050599	HANDRAIL WELDMNT	2
38	050601	TEE BOLT WELDMNT	8
39	050602	SEAT MNT BRKT LH	1
40	050603	SWITCH TOGGLE, ON/OFF 12VDC	1
41	050604	COVER, TOGGLE, SAFETY	1
42	050632	TERMINAL STRIP 6 GANG BLOCK	1
43	050662	TUBE, EXHAUST EXTENTION FOR MAIN FRAME POWER UNIT ENGINE	1
44	050667	1 1/4" MUFFLER CLAMP	1
45	050850	ENGINE, 25 HP KOHLER	1
46	050856	MUFFLER, CENTER OUTLET KOHLER 1205402-S	1
47	050988	FITTING KIT	1
48	051047	HYD TANK ASSEMBLY	1
49	051048	ASSEMBLY, FUEL TANK F/ BDF MAINFRAME	1
50	051344	LOAD CONTROL VALVE ASS'Y	1
51	052361	PLATE, CONTROL CABLE SPACER	1
52	052481	U BOLT	1
53	052517	WELDMNT POWER UNIT MAIN FRAME	1

**SECTION 2
PARTS**

18' Drive Frame Assembly - 052515



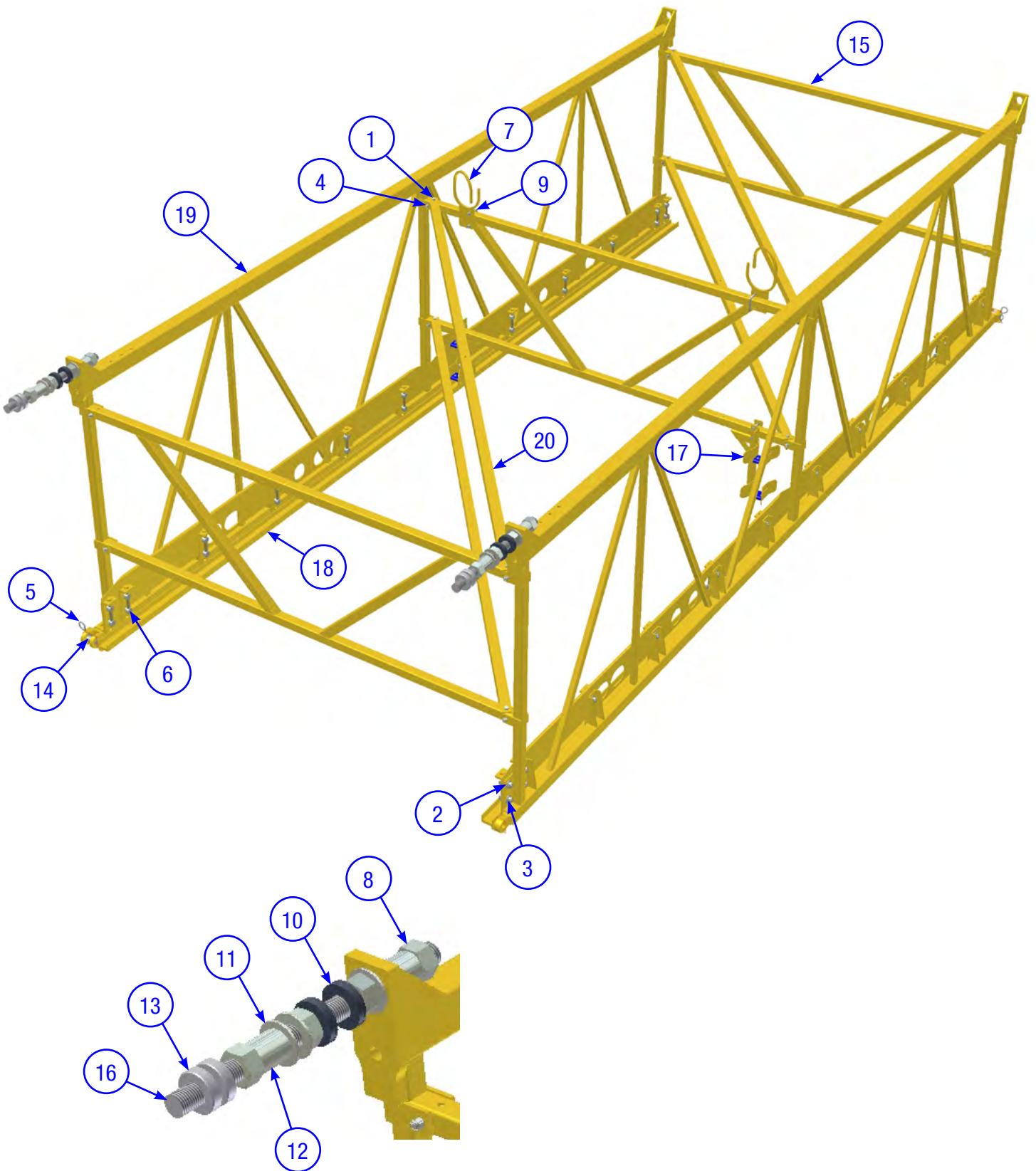
18' Drive Frame Assembly - 052515

SECTION 2 PARTS

ITEM	PART #	DESCRIPTION	QTY
1	010036	FSTN, HHCS 3/8-16 X 1	4
2	010042	FSTN, HHCS 3/8-16 X 2-1/2 GR 5	16
3	010046	FSTN, HHCS 3/8-16 X 3-1/2	4
4	010083	FSTN, FW 3/8	8
5	010085	FSTN, FW 1/2	28
6	010091	FSTN, LW 3/8	8
7	010095	FSTN, LW 5/8	4
8	010102	FSTN, NUT HEX 3/8-16	8
9	010106	FSTN, NUT HEX 1/2-13	28
10	010110	FSTN, NUT HEX 5/8-11 GR 8	4
11	010464	FSTN, NUT NYLOK 3/8-16	36
12	022110	COTTERS, HAIRPIN	5
13	049346	FSTN, HHCS 5/8-11x3-3/4 GR 8	4
14	052021	SPROCKET ASSEMBLY	2
15	052088	LIFTING RING	1
16	052108	ADJUST BOLT, BRIDGE DECK TRACK	28
17	052114	ANGLE FILLER	2
18	052156	HEX NUT, 1 1/4-7	8
19	052162	U-BOLT	2
20	052167	CROWN ADJ BOLT	2
21	052168	SPHERICAL WASHER SET, 1 1/4	4
22	052169	FLAT WASHER, 1 1/4	4
23	052170	BOLT RETAINER	2
24	052171	SPACER, 1 1/2 X 3/16 X 2	4
25	052172	THRUST BEARING, 1 1/4"	2
26	052223	CLAMP PLATE	8
27	052233	PIN, 1"	4
28	052241	CROWNER ASSEMBLY	2
29	052244	7/16 x 1 3/4 Lynch Pin	2
30	052271	CHAIN, AQUA C2050AQ (NOT SHOWN)	173'
31	052275	CLEVIS PIN, 1"	1
32	052302	LIFTING RING	1
33	052322	TARGET ASSEMBLY, 6048	1
34	052323	HEX BOLT, 1 1/4 X 3	2
35	052386	REVERSING LUG	2
36	052390	CARRIAGE SHIFTING MECHANISM (NOT SHOWN)	1
37	052400	FRAME WMNT, 48" X 18'	2
38	052411	END FRAME WMNT	1
39	052418	CROSS FRAME, 18"	1
40	052420	RAIL ASSEMBLY	2
41	052467	ANGLE BRACE, 128"	2
42	052513	END PANEL ASMBLY, DRIVER END, 3648	1
43	052516	CHAIN HANGER	2
44	052529	POWER UNIT, 6048 (NOT SHOWN)	1
45	052533	CROSS FRAME, 18"	1
46	052537	SIGN WELDMENT, 6048	2
47	052548	CHAIN HANGER ASSEMBLY F/ CROWNER	1
48	052550	SPARE PARTS KIT	1

**SECTION 2
PARTS**

15' Frame Assembly - 051568



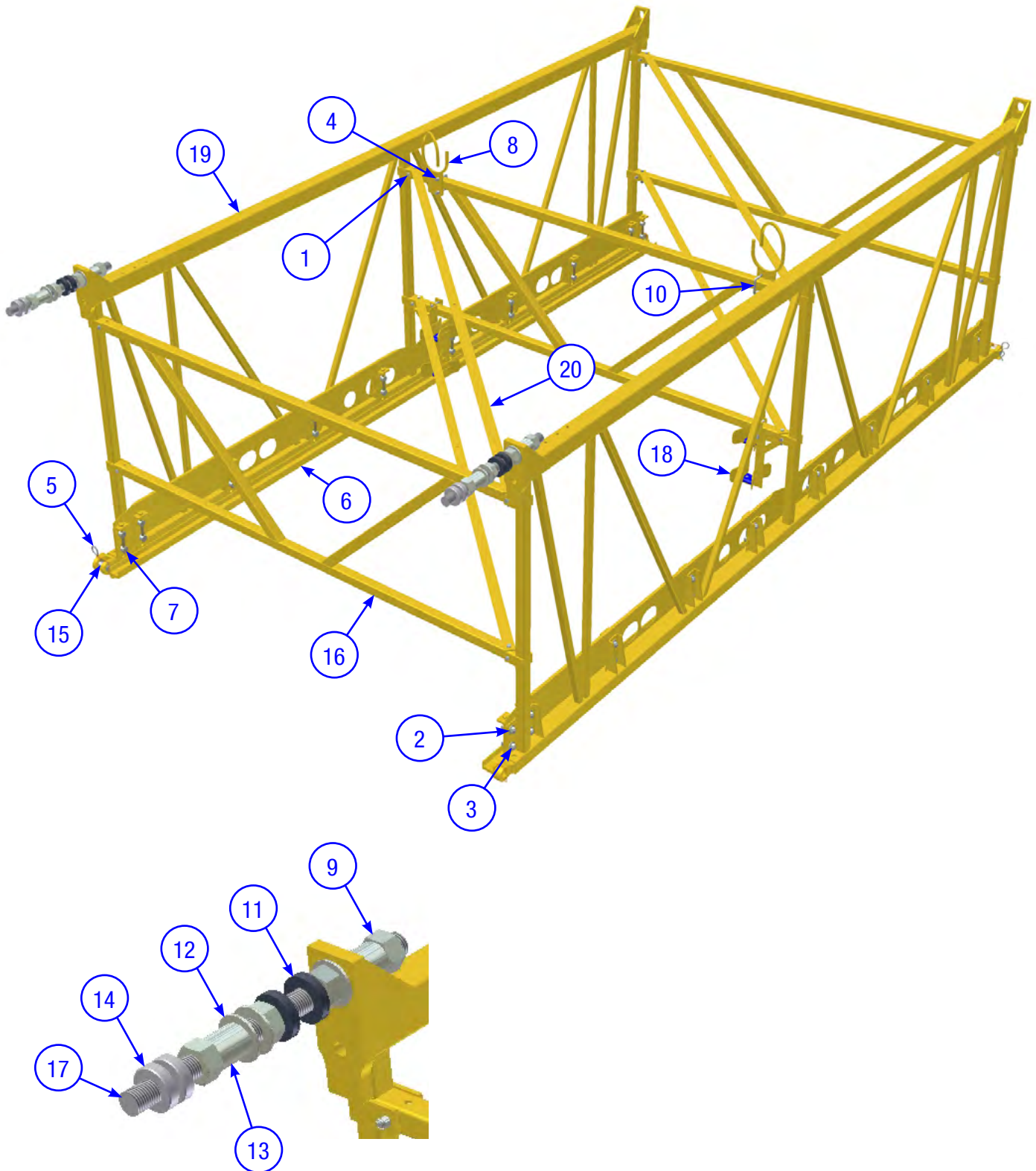
15' Frame Assembly - 051568

SECTION 2 PARTS

ITEM	PART #	DESCRIPTION	QTY
1	010042	FSTN, HHCS 3/8-16 X 2-1/2 GR 5	20
2	010085	FSTN, FW 1/2	48
3	010106	FSTN, NUT HEX 1/2-13	48
4	010464	FSTN, NUT NYLOK 3/8-16	24
5	022110	COTTERS, HAIRPIN	2
6	052108	ADJUST BOLT, BRIDGE DECK TRACK	48
7	052137	HOSE HANGER	2
8	052156	HEX NUT, 1 1/4-7	8
9	052162	U-BOLT	2
10	052168	SPHERICAL WASHER SET, 1 1/4	4
11	052169	FLAT WASHER, 1 1/4	8
12	052171	SPACER, 1 1/2 X 3/16 X 2	4
13	052172	THRUST BEARING, 1 1/4"	4
14	052233	PIN, 1"	2
15	052418	CROSS FRAME, 18"	3
16	052472	ALL THREAD, 1 1/4-7 X 18	2
17	052516	CHAIN HANGER	2
18	052573	RAIL ASSEMBLY, 15'	2
19	052598	FRAME WMNT, 48" X 15'	2
20	052601	ANGLE BRACE, 113.23"	4

**SECTION 2
PARTS**

12' Frame Assembly - 051569



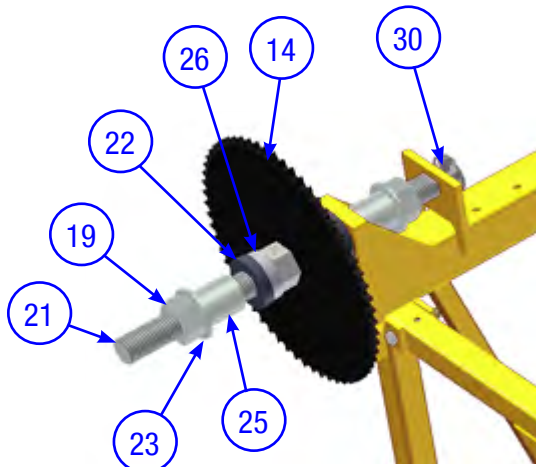
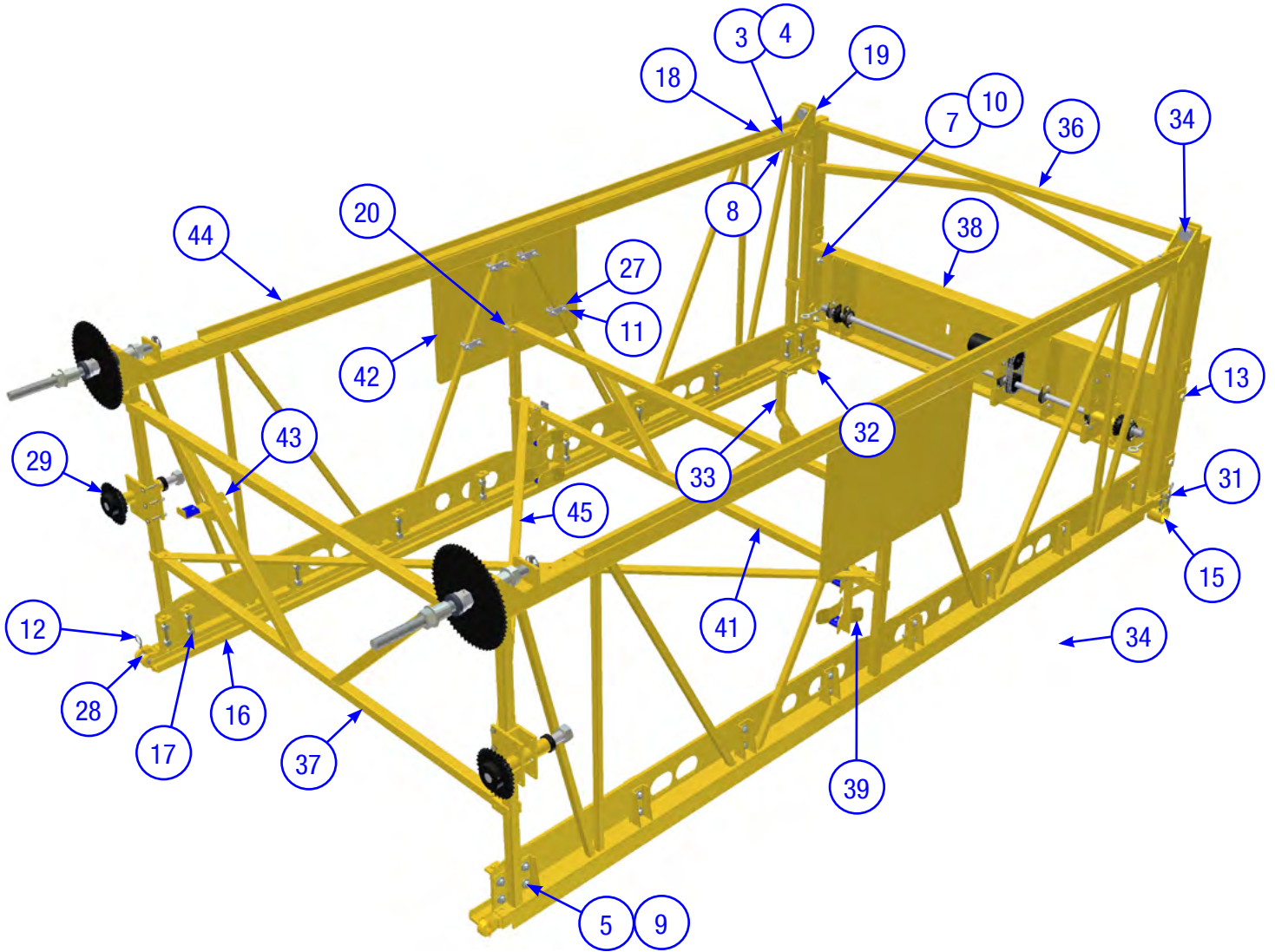
12' Frame Assembly - 051569

SECTION 2 PARTS

ITEM	PART #	DESCRIPTION	QTY
1	010042	FSTN, HHCS 3/8-16 X 2-1/2 GR 5	20
2	010085	FSTN, FW 1/2	40
3	010106	FSTN, NUT HEX 1/2-13	40
4	010464	FSTN, NUT NYLOK 3/8-16	24
5	022110	COTTERS, HAIRPIN	2
6	052107	RAIL ASSEMBLY	2
7	052108	ADJUST BOLT, BRIDGE DECK TRACK	40
8	052137	HOSE HANGER	2
9	052156	HEX NUT, 1 1/4-7	8
10	052162	U-BOLT	2
11	052168	SPHERICAL WASHER SET, 1 1/4	4
12	052169	FLAT WASHER, 1 1/4	8
13	052171	SPACER, 1 1/2 X 3/16 X 2	4
14	052172	THRUST BEARING, 1 1/4"	4
15	052233	PIN, 1"	2
16	052418	CROSS FRAME, 18"	3
17	052472	ALL THREAD, 1 1/4-7 X 18	2
18	052516	CHAIN HANGER	2
19	052600	FRAME SIDE WMNT, 3648 X 12'	2
20	052604	ANGLE BRACE, 113.23"	4

SECTION 2 PARTS

12' Drive Frame Assembly - 052606



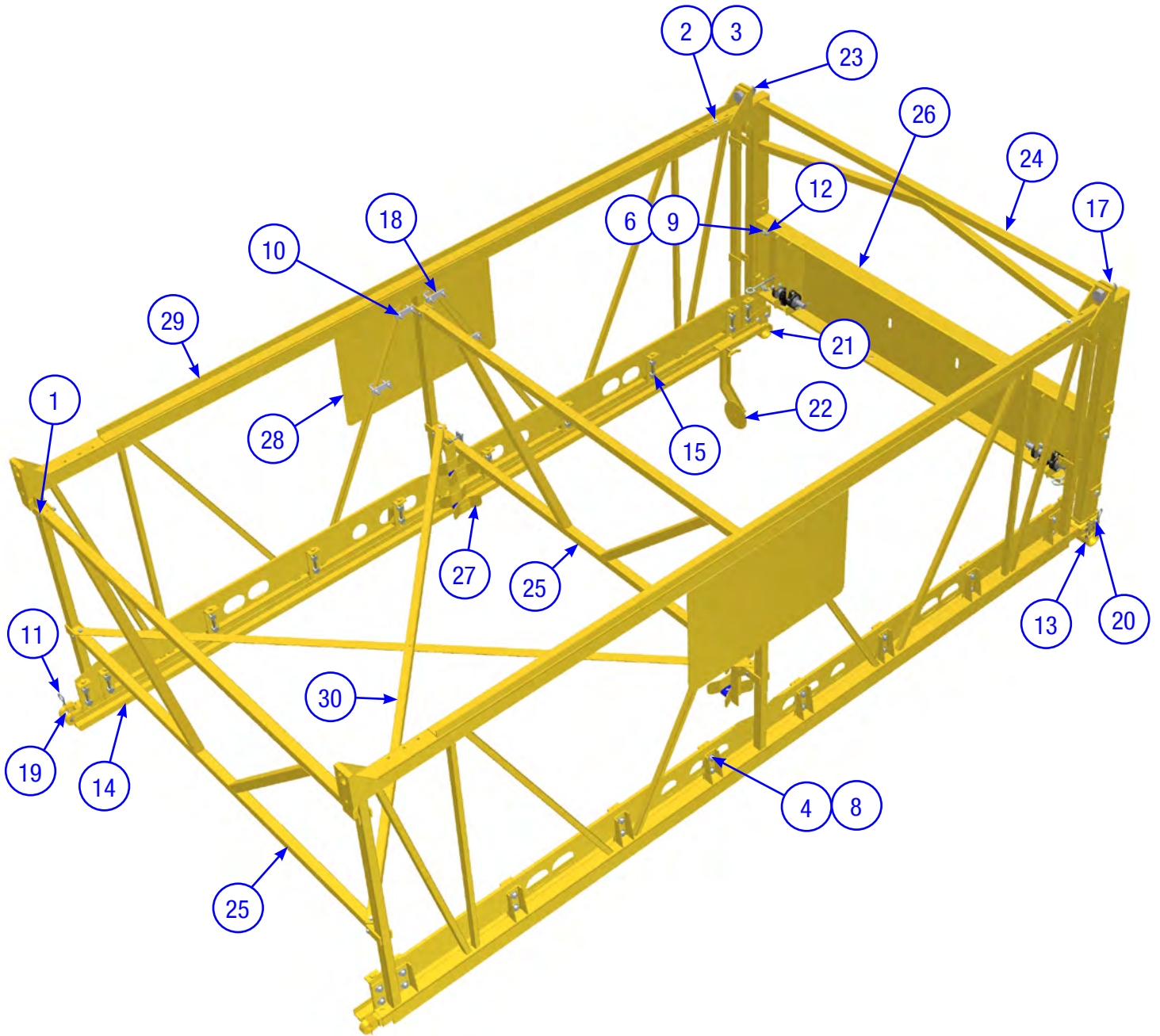
12' Drive Frame Assembly - 052606

SECTION 2 PARTS

ITEM	PART #	DESCRIPTION	QTY
1	010036	FSTN, HHCS 3/8-16 X 1	4
2	010042	FSTN, HHCS 3/8-16 X 2-1/2 GR 5	4
3	010046	FSTN, HHCS 3/8-16 X 3-1/2	2
4	010083	FSTN, FW 3/8	4
5	010085	FSTN, FW 1/2	41
6	010091	FSTN, LW 3/8	6
7	010095	FSTN, LW 5/8	4
8	010102	FSTN, NUT HEX 3/8-16	6
9	010106	FSTN, NUT HEX 1/2-13	41
10	010110	FSTN, NUT HEX 5/8-11 GR 8	4
11	010464	FSTN, NUT NYLOK 3/8-16	24
12	022110	COTTERS, HAIRPIN	5
13	049346	FSTN, HHCS 5/8-11x3-3/4 GR 8	4
14	052021	SPROCKET ASSEMBLY	2
15	052088	LIFTING RING	1
16	052107	RAIL ASSEMBLY	2
17	052108	ADJUST BOLT, BRIDGE DECK TRACK	41
18	052114	ANGLE FILLER	2
19	052156	HEX NUT, 1 1/4-7	8
20	052162	U-BOLT	2
21	052167	CROWN ADJ BOLT	2
22	052168	SPHERICAL WASHER SET, 1 1/4	4
23	052169	FLAT WASHER, 1 1/4	4
24	052170	BOLT RETAINER	2
25	052171	SPACER, 1 1/2 X 3/16 X 2	4
26	052172	THRUST BEARING, 1 1/4"	2
27	052223	CLAMP PLATE	8
28	052233	PIN, 1"	4
29	052241	CROWNER ASSEMBLY	2
30	052244	7/16 x 1 3/4 Lynch Pin	2
31	052275	CLEVIS PIN, 1"	1
32	052302	LIFTING RING	1
33	052322	TARGET ASSEMBLY, 6048	1
34	052323	HEX BOLT, 1 1/4 X 3	2
35	052390	CARRIAGE SHIFTING MECHANISM (NOT SHOWN)	1
36	052411	END FRAME WMNT	1
37	052418	CROSS FRAME, 18"	1
38	052513	END PANEL ASMBLY, DRIVER END, 3648	1
39	052516	CHAIN HANGER	2
40	052529	POWER UNIT, 6048 (NOT SHOWN)	1
41	052533	CROSS FRAME, 18"	1
42	052537	SIGN WELDMENT, 6048	2
43	052548	CHAIN HANGER ASSEMBLY F/ CROWNER	1
44	052600	FRAME SIDE WMNT, 6048 X 12'	2
45	052604	ANGLE BRACE, 100.15"	2

**SECTION 2
PARTS**

12' Idle Frame Assembly - 052605



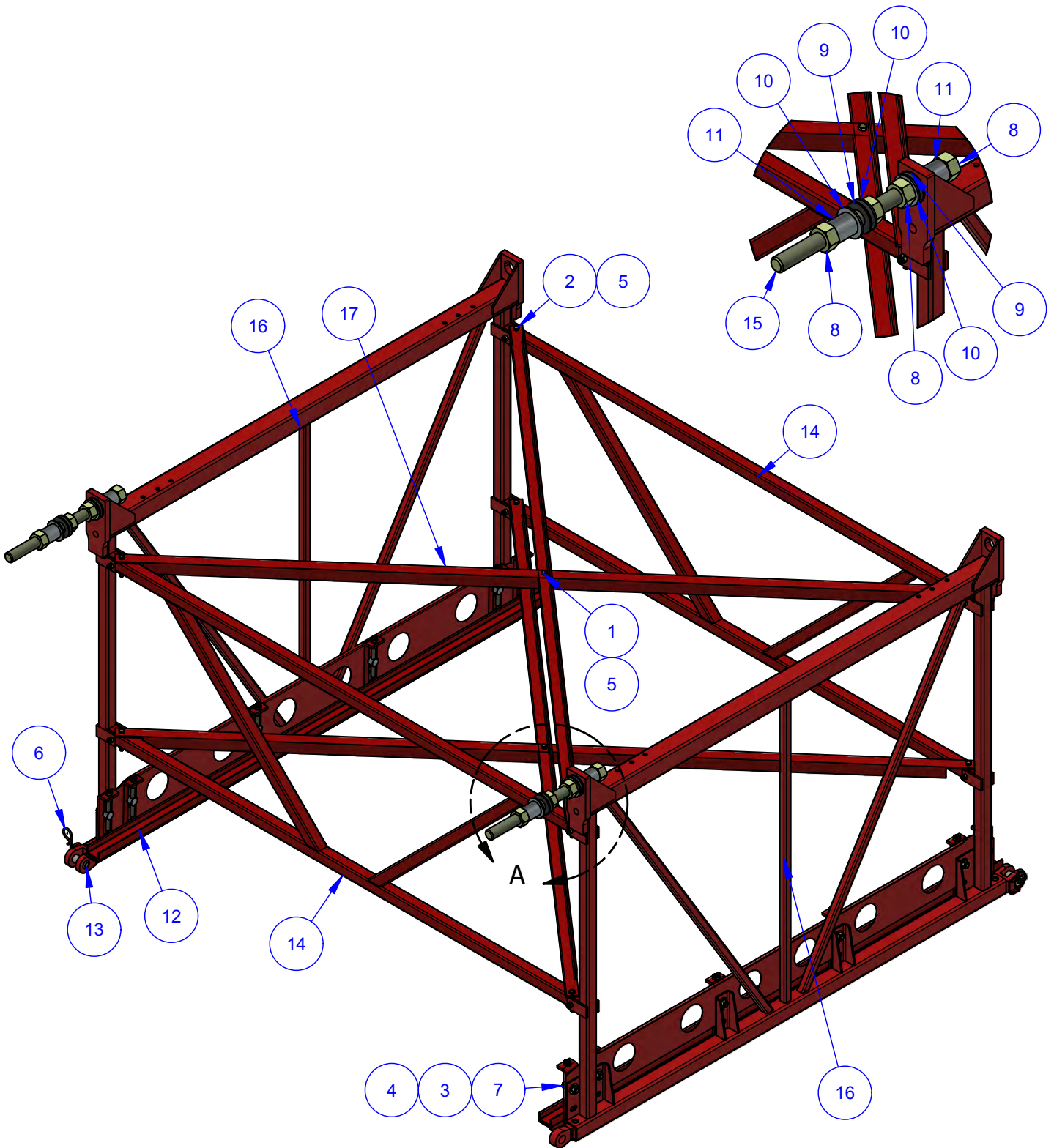
12' Idle Frame Assembly - 052605

SECTION 2 PARTS

ITEM	PART #	DESCRIPTION	QTY
1	010042	FSTN, HHCS 3/8-16 X 2-1/2 GR 5	11
2	010046	FSTN, HHCS 3/8-16 X 3-1/2	2
3	010083	FSTN, FW 3/8	4
4	010085	FSTN, FW 1/2	41
5	010091	FSTN, LW 3/8	2
6	010095	FSTN, LW 5/8	4
7	010102	FSTN, NUT HEX 3/8-16	2
8	010106	FSTN, NUT HEX 1/2-13	41
9	010110	FSTN, NUT HEX 5/8-11 GR 8	4
10	010464	FSTN, NUT NYLOK 3/8-16	27
11	022110	COTTERS, HAIRPIN	5
12	049346	FSTN, HHCS 5/8-11x3-3/4 GR 8	4
13	052088	LIFTING RING	1
14	052107	RAIL ASSEMBLY	2
15	052108	ADJUST BOLT, BRIDGE DECK TRACK	41
16	052114	ANGLE FILLER	2
17	052156	HEX NUT, 1 1/4-7	2
18	052223	CLAMP PLATE	8
19	052233	PIN, 1"	4
20	052275	CLEVIS PIN, 1"	1
21	052302	LIFTING RING	1
22	052322	TRGET ASSEMBLY, 6048	1
23	052323	HEX BOLT, 1 1/4 X 3	2
24	052411	END FRAME WMNT	1
25	052418	CROSS FRAME, 18"	2
26	052512	END PANEL ASSEMBLY, IDLE, 3648	1
27	052516	CHAIN HANGER	2
28	052537	SIGN WELDMENT, 6048	2
29	052600	FRAME SIDE WMNT, 3648 X 12'	2
30	052604	ANGLE BRACE, 100.15"	2

**SECTION 2
PARTS**

6' Frame Assembly - 056703



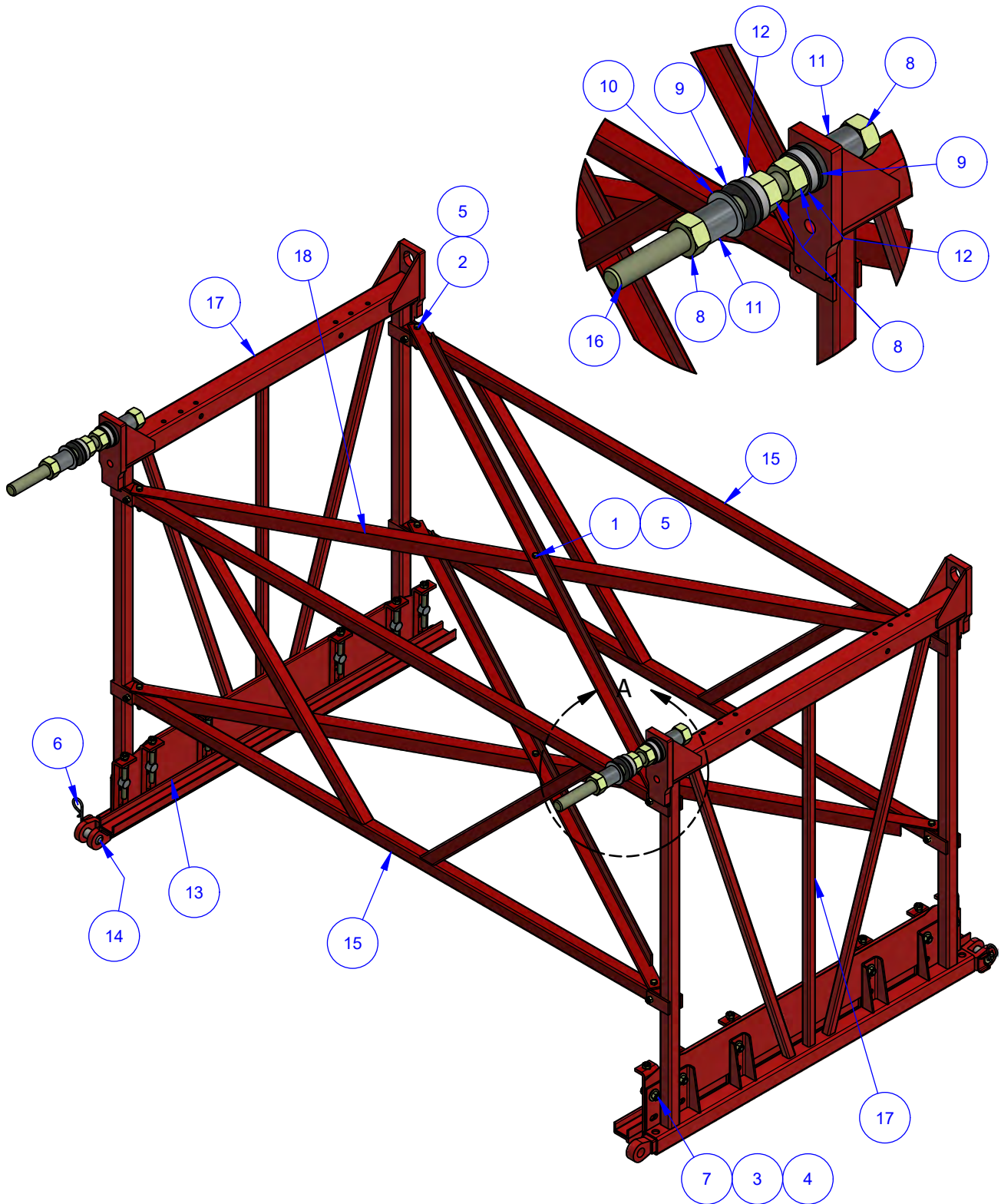
6' Frame Assembly - 056703

SECTION 2 PARTS

ITEM	PART #	DESCRIPTION	QTY
-	056703	ASSEMBLY, 6FT SECTION F/ 6048 BDF	-
1	010036	FASTENER, HHCS 3/8-16 X 1	2
2	010042	FSTN, HHCS 3/8-16 X 2-1/2	16
3	010085	FSTN, FW 1/2	12
4	010106	FSTN, NUT HEX 1/2-13	12
5	010464	FSTN, NUT NYLOK 3/8-16	18
6	022110	COTTER, HAIRPIN	2
7	052108	ADJUST BOLT, BRIDGE DECK TRACK	12
8	052156	HEX NUT, 1 1/4-7	8
9	052168	SPHERICAL WASHER SET, 1 1/4	4
10	052169	FLAT WASHER, 1 1/4	8
11	052171	SPACER, 1 1/2 X 3/16 X 2	4
12	052207	RAIL ASSEMBLY, 6'	2
13	052233	PIN, 1"	2
14	052418	CROSS FRAME, 18"	2
15	052472	ALL THREAD, 1 1/4-7 X 18	2
16	052608	FRAME WMTN, 72 X 48	2
17	056704	ANGLE BRACE, 97-7/16"	4

SECTION 2
PARTS

4' Frame Assembly - 051571



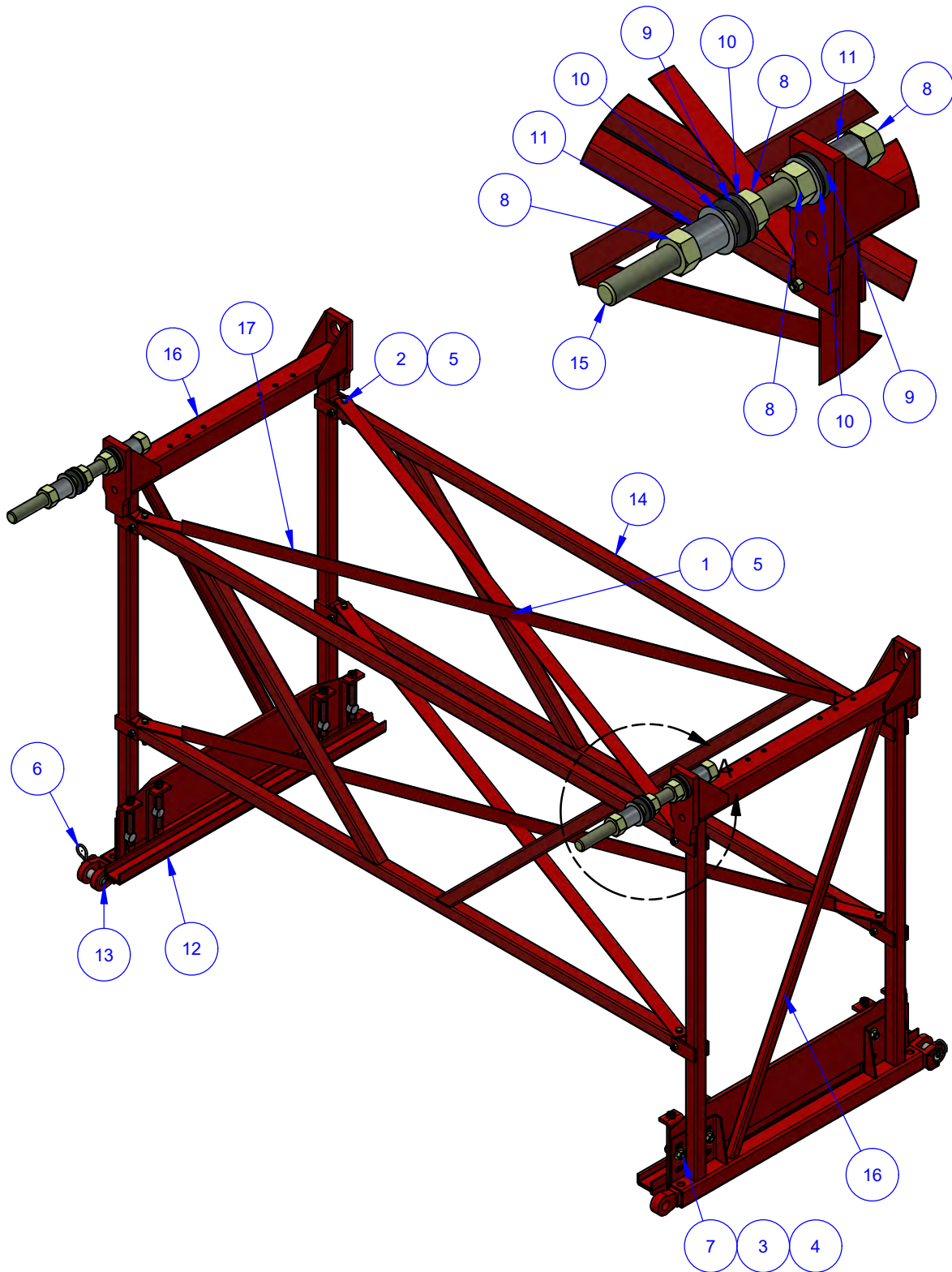
4' Frame Assembly - 051571

SECTION 2 PARTS

ITEM	PART #	DESCRIPTION	QTY
-	051571	ASSEMBLY, 4FT SECTION F/ 6048 BDF	-
1	010036	FASTENER, HHCS 3/8-16 X 1	2
2	010042	FSTN, HHCS 3/8-16 X 2-1/2 GR 5	16
3	010085	FSTN, FW 1/2	12
4	010106	FSTN, NUT HEX 1/2-13	12
5	010464	FSTN, NUT NYLOK 3/8-16	18
6	022110	COTTER, HAIRPIN	2
7	052108	ADJUST BOLT, BRIDGE DECK TRACK	12
8	052156	HEX NUT, 1 1/4-7	8
9	052168	SPHERICAL WASHER SET, 1 1/4	4
10	052169	FLAT WASHER, 1 1/4	4
11	052171	SPACER, 1 1/2 X 3/16 X 2	4
12	052172	THRUST BEARING, 1 1/4"	4
13	052208	RAIL ASSEMBLY, 4'	2
14	052233	PIN, 1"	2
15	052418	WELDMENT, CROSS FRAME 18"	2
16	052472	ALL THREAD, 1 1/4-7 X 18	2
17	071570	WELDMENT, FRAME SECTION 4FT W/O RAIL	2
18	071572	ANGLE BRACE F/ 4FT SECTIONS	4

**SECTION 2
PARTS**

3' Frame Assembly - 061456



3' Frame Assembly - 061456

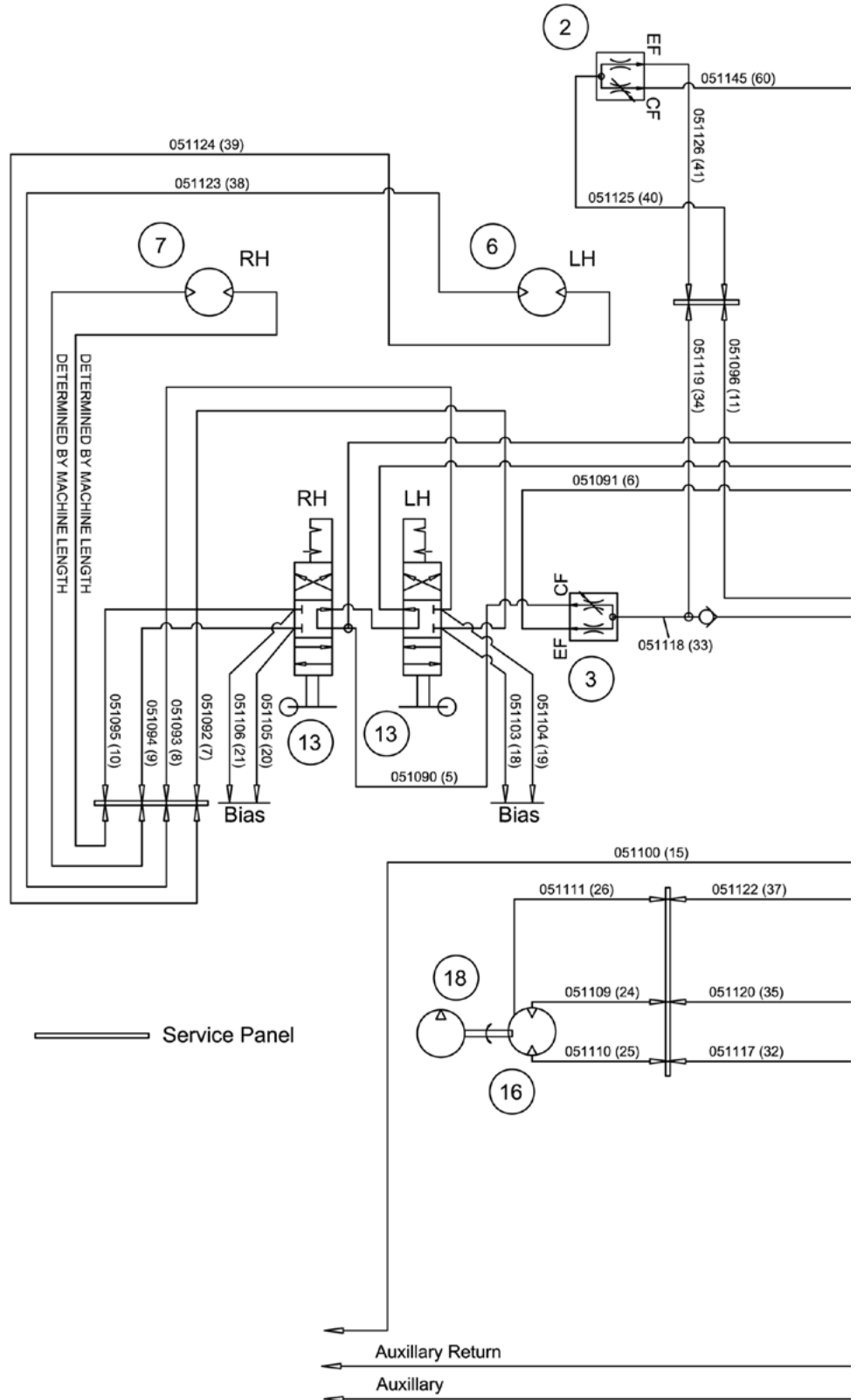
SECTION 2 PARTS

ITEM	PART #	DESCRIPTION	QTY
-	061456	ASSEMBLY, 3FT SECTION F/ 6048 BDF	-
1	010036	FASTENER, HHCS 3/8-16 X 1	2
2	010042	FSTN, HHCS 3/8-16 X 2-1/2 GR 5	16
3	010085	FSTN, FW 1/2	8
4	010106	FSTN, NUT HEX 1/2-13	8
5	010464	FSTN, NUT NYLOK 3/8-16	18
6	022110	COTTER, HAIRPIN	2
7	052108	ADJUST BOLT, BRIDGE DECK TRACK	8
8	052156	HEX NUT, 1 1/4-7	8
9	052168	SPHERICAL WASHER SET, 1 1/4	4
10	052169	FLAT WASHER, 1 1/4	8
11	052171	SPACER, 1 1/2 X 3/16 X 2	4
12	052209	RAIL ASSEMBLY, 3'	2
13	052233	PIN, 1"	2
14	052418	WELDMENT, CROSS FRAME 18"	2
15	052472	ALL THREAD, 1 1/4-7 X 18	2
16	061463	FRAME WMNT, 48 X 36	2
17	061465	ANGLE BRACE, 78-3/8"	4

SECTION 2 PARTS

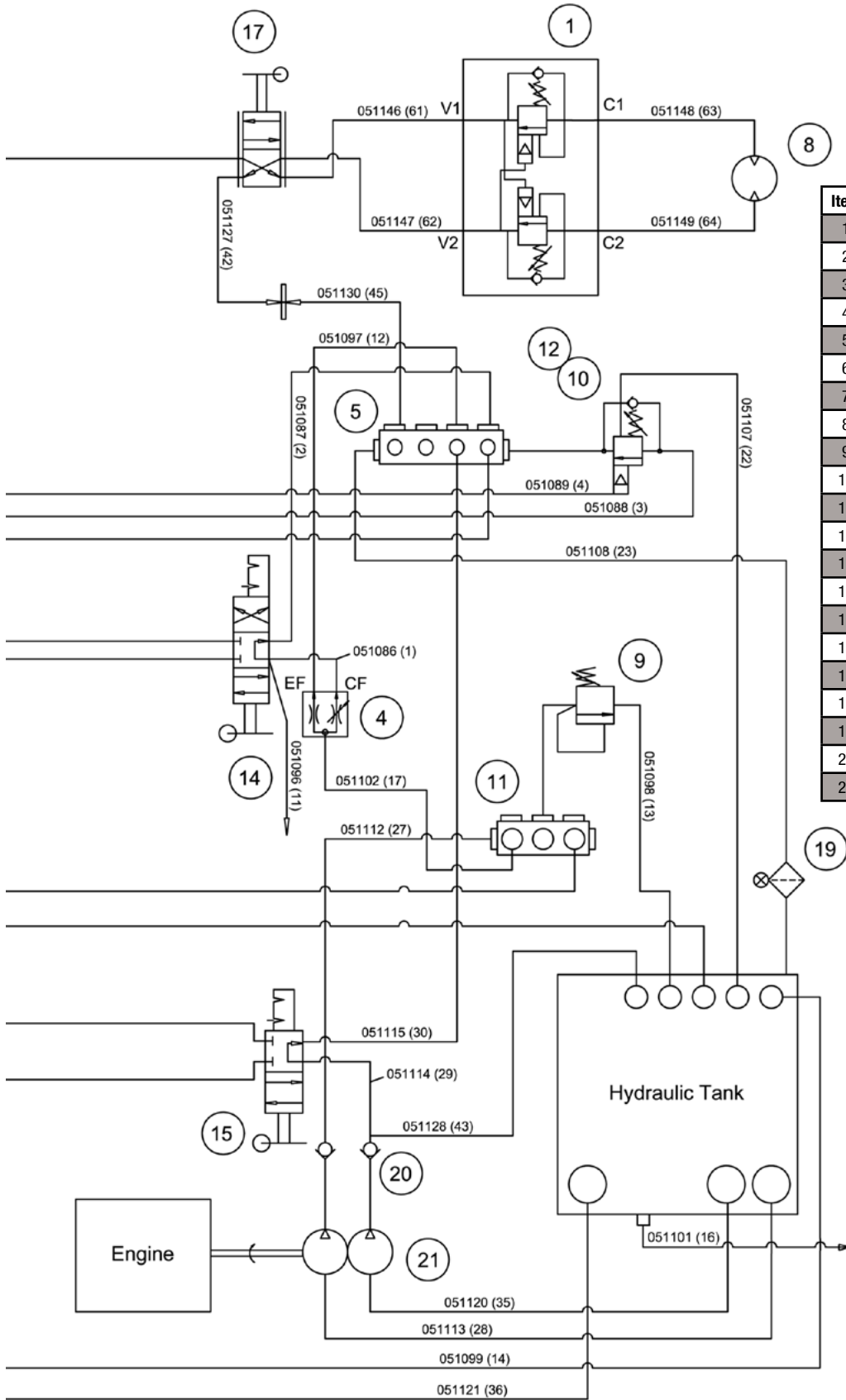
Mainframe Hydraulic Schematic

Item	Part #	Description	QTY
1	050452	Travel Holding Valve	1
2	050458	Travel Control Valve	1
3	050458	Machine Travel Speed Valve	1
4	050458	Carriage Speed Valve	1
5	050460	Return Header	1
6	050468	Bogie Motor/Drive End	1
7	050468	Bogie Motor/Idler End	1
8	050469	Carriage Travel Motor	1
9	050473	Relief Valve Carriage	1
10	050477	Counterbalance Valve	1
11	050478	Pressure Header	1
12	050481	Counterbalance Valve Housing	1
13	050485	Machine Travel Valves	2
14	050485	Power Selector Valve	1
15	050485	Water Spray Control Valve	1
16	050486	Water Spray Motor	1
17	050488	Reversing Valve	1
18	029418	Water Spray Pump	1
19	045134	Return Filter	1
20	050686	Pump Check Valves	1
21	050459	Hydraulic Pumps	1



Mainframe Hydraulic Schematic

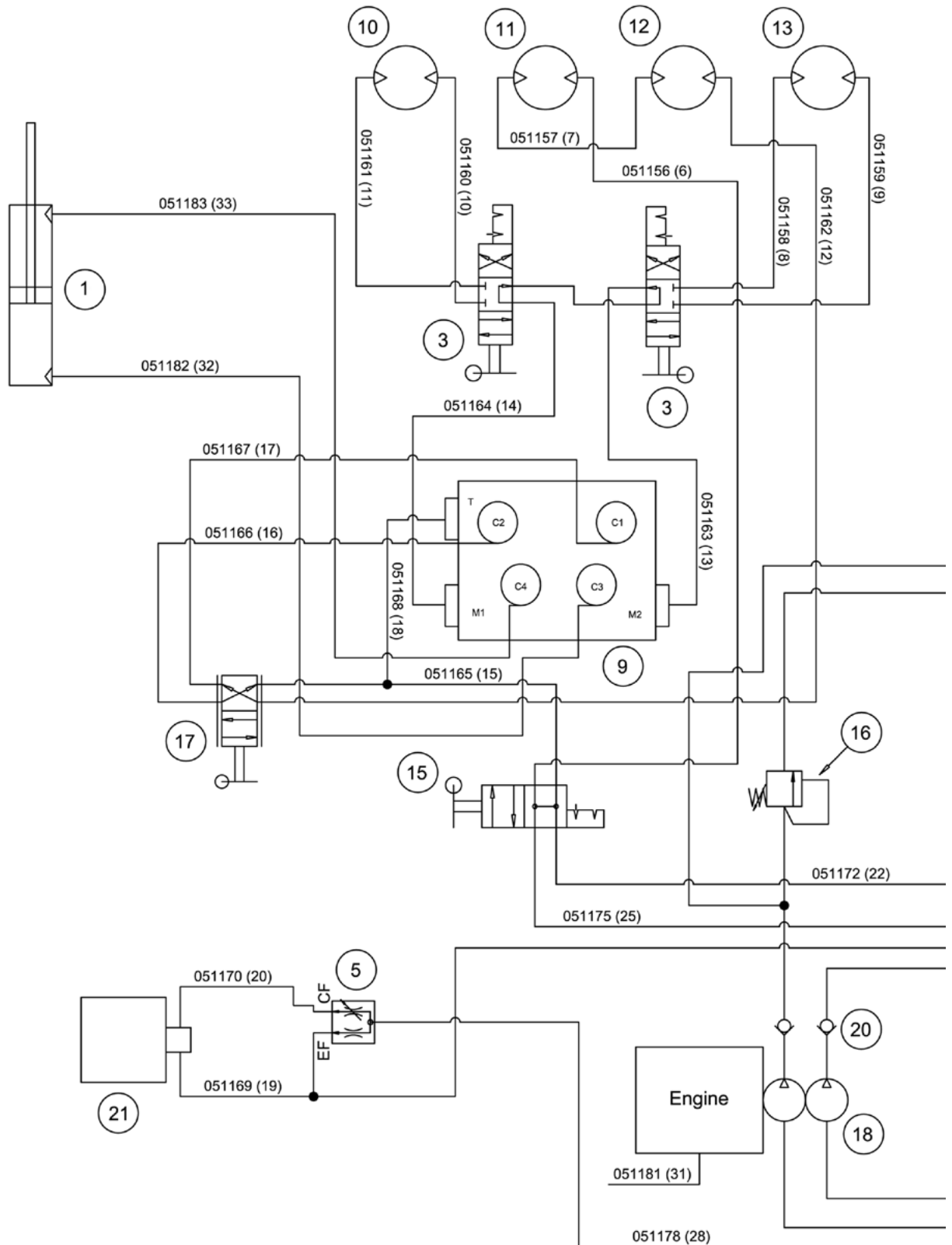
SECTION 2 PARTS



Item	Part #	Description	QTY
1	050452	Travel Holding Valve	1
2	050458	Travel Control Valve	1
3	050458	Machine Travel Speed Valve	1
4	050458	Carriage Speed Valve	1
5	050460	Return Header	1
6	050468	Bogie Motor/Drive End	1
7	050468	Bogie Motor/Idler End	1
8	050469	Carriage Travel Motor	1
9	050473	Relief Valve Carriage	1
10	050477	Counterbalance Valve	1
11	050478	Pressure Header	1
12	050481	Counterbalance Valve Housing	1
13	050485	Machine Travel Valves	2
14	050485	Power Selector Valve	1
15	050485	Water Spray Control Valve	1
16	050486	Water Spray Motor	1
17	050488	Reversing Valve	1
18	029418	Water Spray Pump	1
19	045134	Return Filter	1
20	050686	Pump Check Valves	1
21	050459	Hydraulic Pumps	1

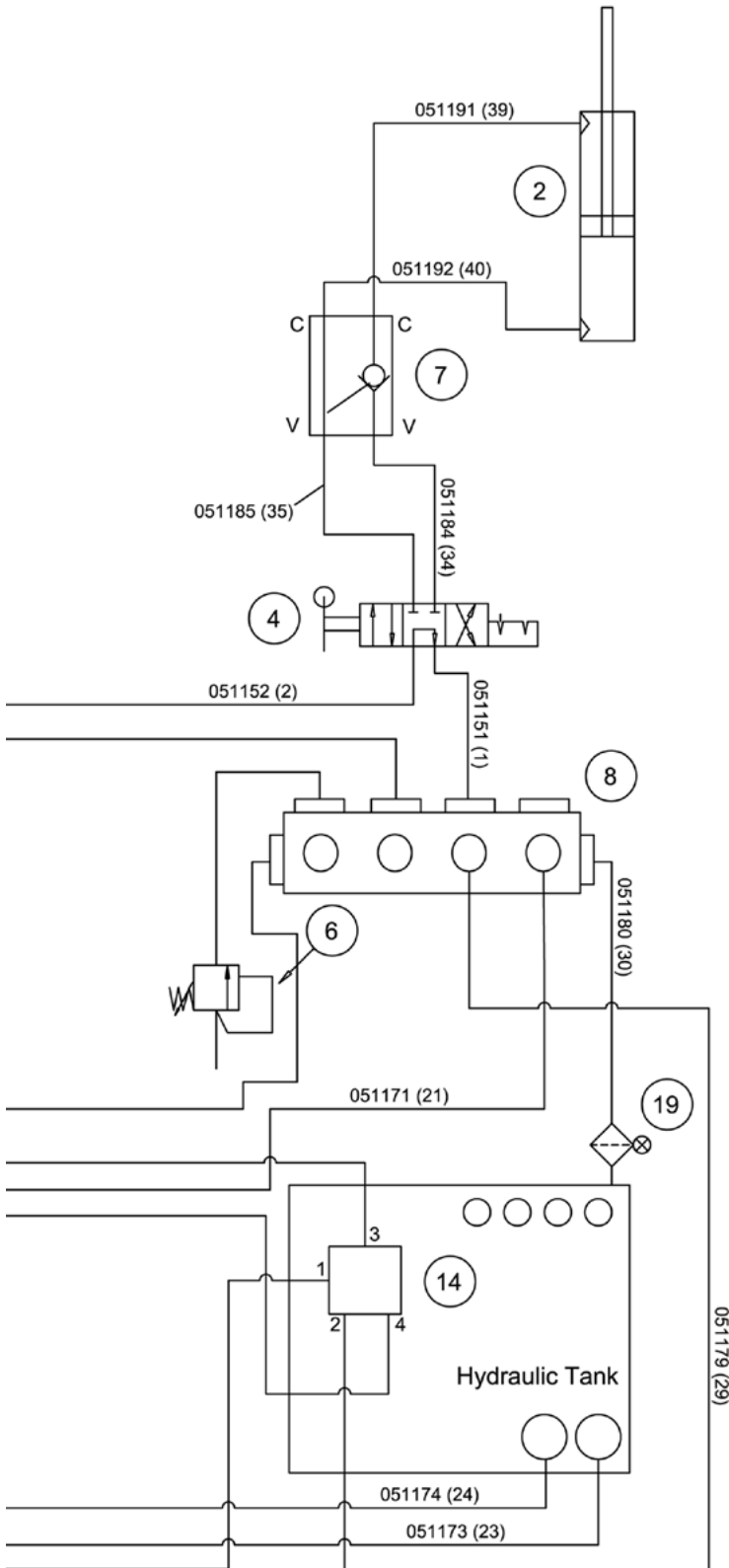
SECTION 2 PARTS

Carriage Hydraulic Schematic



Carriage Hydraulic Schematic

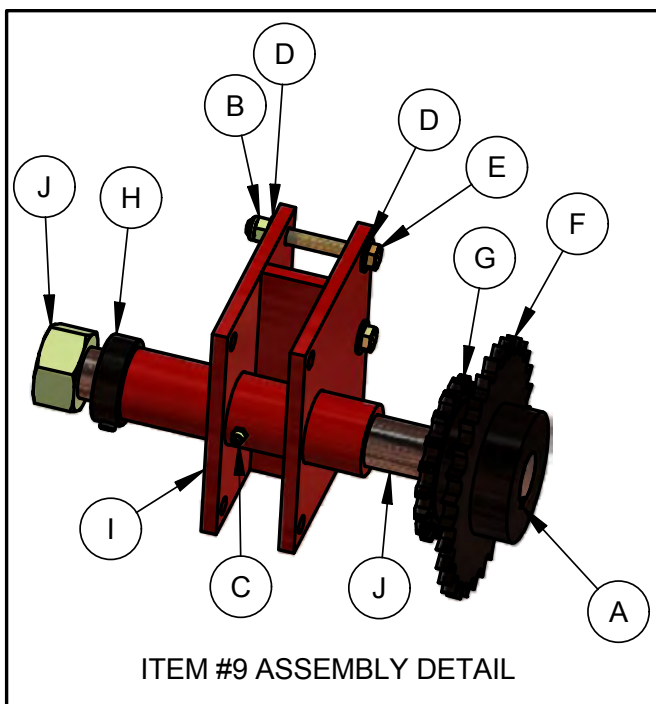
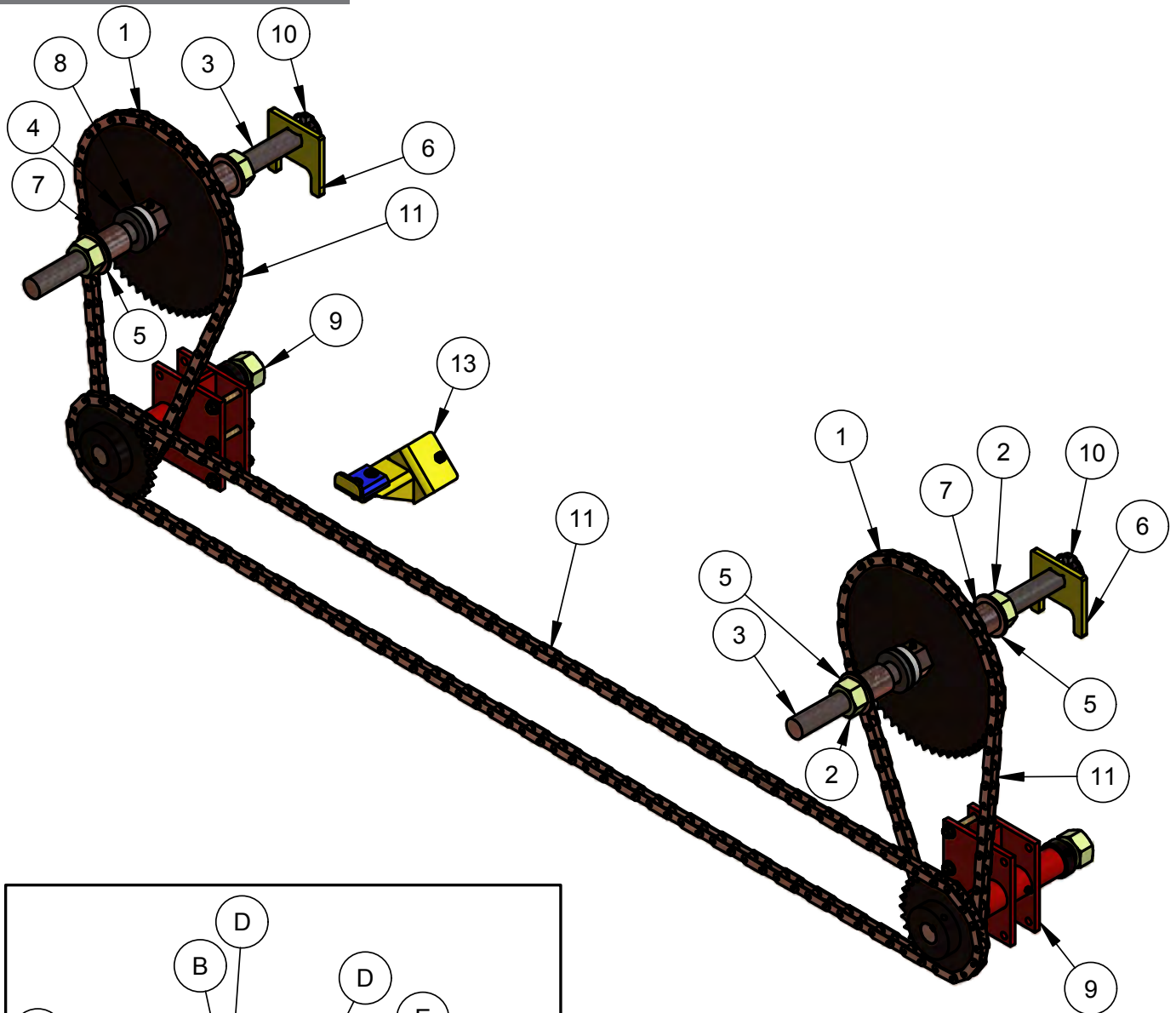
SECTION 2 PARTS



Item	Part #	Description	QTY
1	050303	Lock Cylinder	1
2	050326	Skew Cylinder	1
3	050450	Roller Directional Valves	2
4	050450	Carriage Lift Valve	1
5	050451	Roller Tamper Speed Control	1
6	050453	Roller Tamper Relief Valve	1
7	050455	Lock Valve	1
8	050460	Return Header	1
9	050462	Reversing Manifold	1
10	050464	LH Paver Motor	1
11	050464	LH Auger Motor	1
12	050464	RH Auger Motor	1
13	050464	RH Paver Motor	1
14	050466	Directional Valve	1
15	050467	Carriage On/Off Valve	1
16	050473	Carriage Relief Valve	1
17	050542	Reversing Valve	1
18	050459	Hydraulic Pumps	1
19	045134	Return Filter	1
20	050686	Pump Check Valves	1
21	050418	Roller Tamper Vibrator	1

SECTION 2 PARTS

Manual Crown Kit Assembly



Manual Crown Kit Assembly

SECTION 2 PARTS

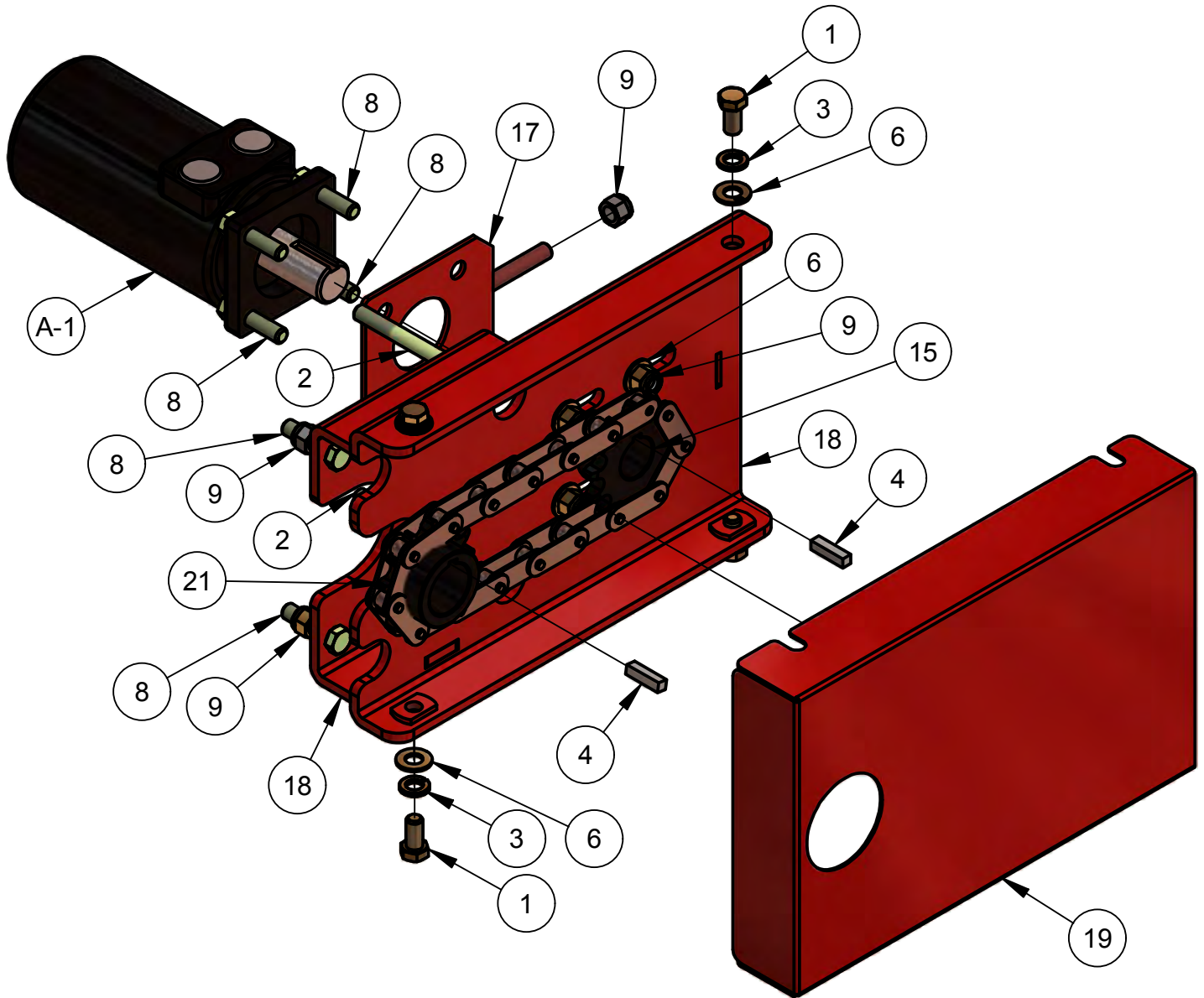
ITEM	PART NO.	DESCRIPTION	QTY
-	066708	ASSEMBLY, MANUAL CROWN KIT OPTION	-
1	052021	SPROCKET ASSEMBLY	2
2	052156	HEX NUT, 1 1/4-7	6
3	052167	CROWN ADJ BOLT	2
4	052168	SPHERICAL WASHER SET, 1 1/4	4
5	052169	FLAT WASHER, 1 1/4	4
6	052170	BOLT RETAINER	2
7	052171	SPACER, 1 1/2 X 3/16 X 2	4
8	052172	THRUST BEARING, 1 1/4"	2
9	052241	CROWNER ASSEMBLY	2
10	052244	PIN, LINCH, 7/16" X 1-3/4"	2
11	052271	CHAIN, AQUA, C2050AQ, RIV	3.24
12	052272	CHAIN, MASTER LINK, AQUA, C2050AQ	3
13	052548	CHAIN HANGER ASSEMBLY F/ CROWNER	1

ITEM # 9, 052241 - CROWNER ASSEMBLY BREAKDOWN

ITEM	PART NO.	DESCRIPTION	QTY
A	010307	KEY, 1/4" X 2" LONG	1
B	010464	FASTENER, NUT NYLOK 3/8-16 GRADE 8	3
C	010513	FITTING, 1/4-28 STR GREASE	1
D	017751	FASTENER, FW HARD A325 3/8 (p)	6
E	040663	FASTENER, HHCS 3/8-16 X 3 GRADE 8	3
F	052192	SPROCKET, 50BS30HT 1-1/4 (MARTIN)	1
G	052193	SPROCKET, 50BS18HT 1-1/4 (MARTIN)	1
H	052200	COLLAR, Ø1-1/4 ECCENTRIC LOCK	1
I	052240	WMNT, CROWNER	1
J	052242	SHAFT WMNT	1

SECTION 2 PARTS

Power Crown Kit (Option) 052559



POWER CROWNING HYDRAULIC COMPONENT KIT - ITEM #23

ITEM	PART #	DESCRIPTION	QTY
A-1	050468	MOTOR, HYDRAULIC, (255320F3110AAAAA)	1
A-2	051343	VALVE, BYPASS, SOLENOID, SP. 1676	1
A-3	057836	VALVE, DIRECTIONAL CONTROL, AO-100-T-4-L-S	1

POWER CROWNING HYDRAULIC HOSE KIT - ITEM #24

ITEM	PART #	DESCRIPTION	QTY
B-1	-	HS-JL-14 HOSE ASSEMBLY 8M3K/8G-8FJX/8G-8FJX/36" C.L.	1
B-2	-	HS-JL-15 HOSE ASSEMBLY 8M3K/8G-8FJX/8G-8FJX/46" C.L.	4
B-3	-	HS-JL-16 HOSE ASSEMBLY 8M3K/8G-8FJX/8G-8FJX/7'-0" C.L.	2

Power Crown Kit (Option) 052559

SECTION 2 PARTS

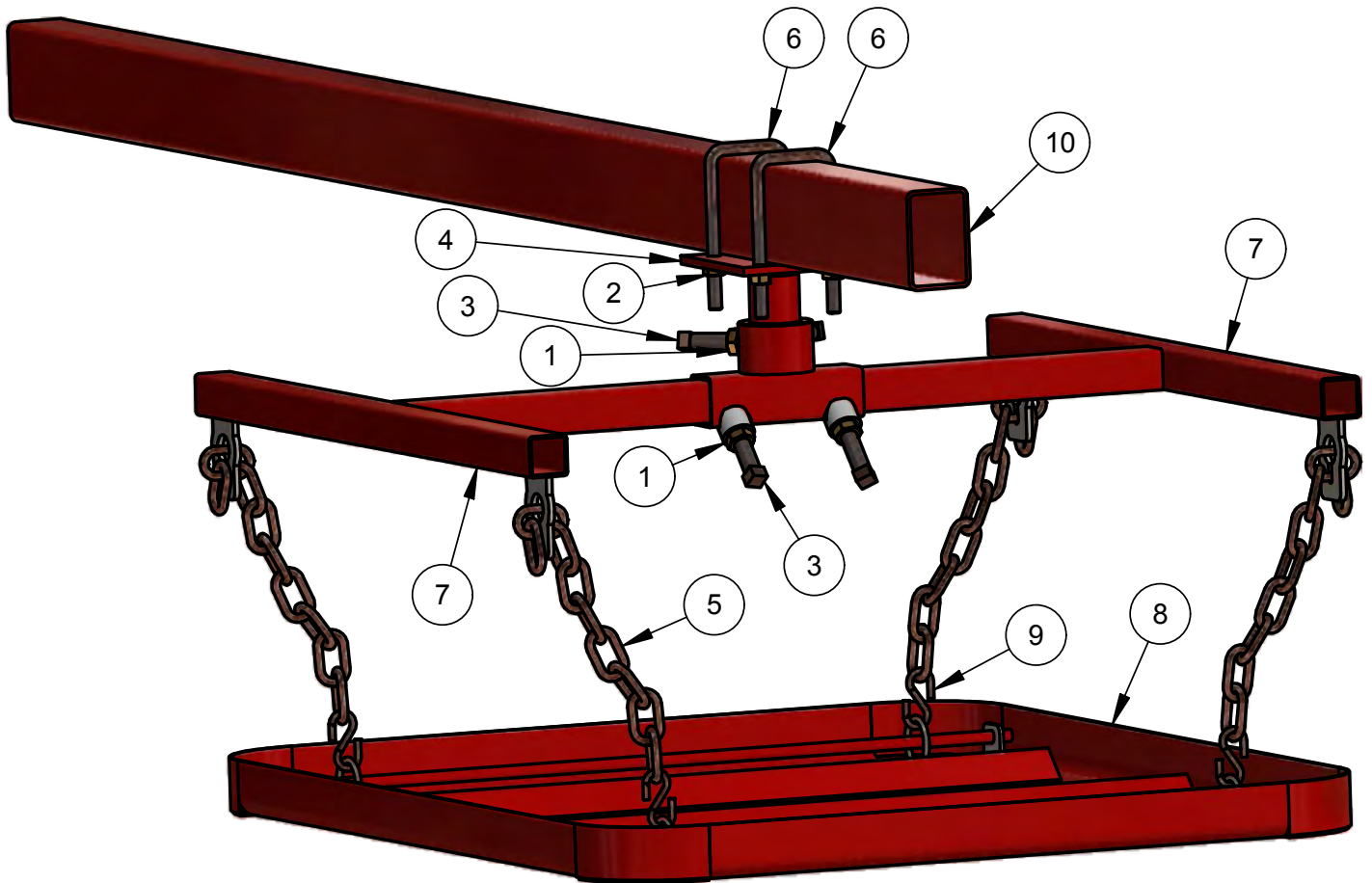
ITEM	PART NO.	DESCRIPTION	QTY
-	052559	KIT, ASSEMBLY, POWER CROWN	-
1	010035	FASTENER, HHCS 3/8"-16 X 3/4"	4
2	010046	FASTENER, HHCS 3/8"-16 X 3-1/2"	2
3	010091	FASTENER, LOCK WASHER, 3/8"	4
4	011791	KEY, 1/4" SQ X 1" LG MACHINE	2
5	016137	TERMINAL, RING, #10 STUD, 14-16 GA	4
6	017751	FASTENER, FLAT WASHER, HARD, A325, 3/8" (p)	8
7	025091	FASTENER, BOLT, SHOULDER, 5/16"-18 X 1/2" X Ø3/8" X 3/8"	4
8	028402	FASTENER, HHCS, 3/8"-16 x 1-1/2", GRADE 8	6
9	040630	FASTENER, NUT, LOCK, 3/8"-16, GRADE 8	7
10	075412	DECAL, POWER CROWN (LOCATED IN DECAL KIT, SEE DECAL SECTION OF MANUAL)	1
11	075417	DECAL, RAISE-LOWER (LOCATED IN DECAL KIT, SEE DECAL SECTION OF MANUAL)	1
12	050603	SWITCH, TOGGLE, ON-OFF (LOCATED ON CONTROL PANEL)	1
13	050604	COVER, SAFETY, FOR TOGGLE SWITCH (LOCATED ON CONTROL PANEL)	1
14	051076	RING, BLUE COLOR CODING, FOR HYDRAULIC HOSE (NOT SHOWN)	2
15	051077	RING, GREEN COLOR CODING, FOR HYDRAULIC HOSE (NOT SHOWN)	4
16	051079	RING, RED COLOR CODING, FOR HYDRAULIC HOSE (NOT SHOWN)	2
17	052195	SPROCKET, 50BS13HT 1" (MARTIN)	1
18	052271	CHAIN, AQUA C2050AQ	2.16'
19	052300	PLATE, ADJUSTING	1
20	052557	WELDMENT, MOTOR MOUNT	1
21	052564	CHAIN GUARD	1
22	052747	KIT, FITTING, HYDRAULIC, CROWING (SEE BELOW)	1
23	052991	SPROCKET, 50BS13HT 1 1/4" (MARTIN)	1
24	068188	KIT, COMPONENT, HYDRAULIC, CROWNING (SEE PREVIOUS PAGE)	1
25	068198	KIT, HOSE, HYDRAULIC, CROWNING (SEE PREVIOUS PAGE)	1

POWER CROWNING HYDRAULIC FITTING KIT - ITEM #21

ITEM	PART #	DESCRIPTION	QTY
C-1	NV-12-SAE-F	1/2 IN 3/4 - 16 ORB Quick CPLG	2
C-2	TF-12-R	1/2 IN Dust Cap	2
C-3	TM-12-R	1/2 IN Dust Plug	2
C-4	F2700-8-8-LN-0	Bulkhead Union Fitting	2
C-5	568-908	Non Std 1/4 Cross Section Buna N O'Ring	2
C-6	F6801-8-10 NWO	90 DEG Straight Thread Elbow Fitting	2
C-7	F6400-8-10-0	Straight Thread Connector Fitting	2
C-8	F6400-8-8-0	Straight Thread Connector Fitting	3
C-9	NV-12-SAE-M	1/2 IN 3/4 - 16ORB Push Pull DISC CPLG	2
C-10	F6804-8-8-8 NWO	Straight Thread Run Tee Fitting	1

**SECTION 2
PARTS**

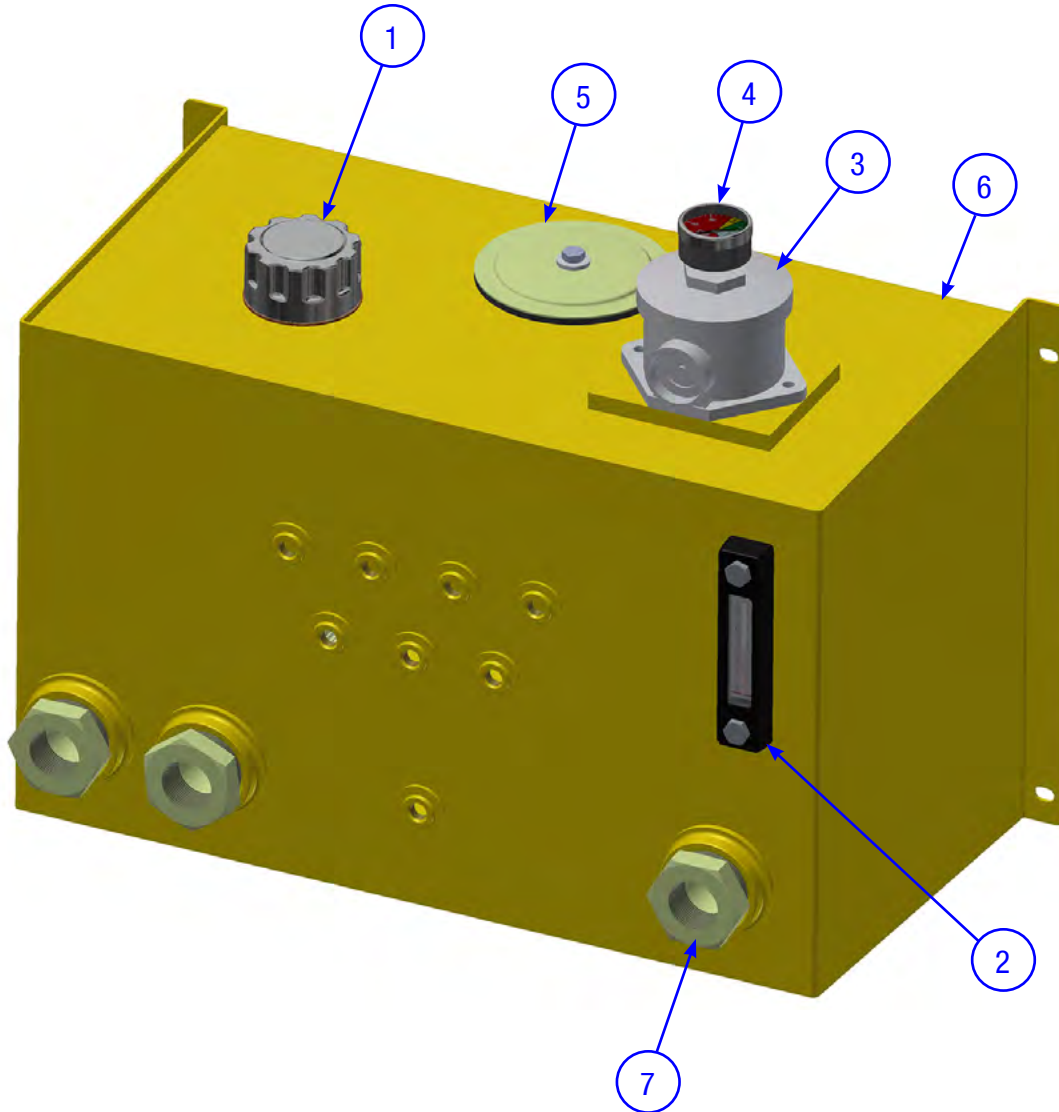
Dual Drag Pan Assembly (Option)



ITEM	PART NO.	DESCRIPTION	QTY
-	051994	ASSEMBLY, DUAL DRAG PAN	-
1	010050	FASTENER, NUT HEX JAM 1/2-13	4
2	010102	FASTENER, NUT HEX 3/8-16	4
3	050233	FASTENER, SQSS (SQ. HEAD SET SCREW) 1/2-13 X 2" LONG	4
4	050498	BRACKET, DRAG PAN RETAINING	1
5	050682	CHAIN, FOR DRAG PAN ASSEMBLY	4
6	050885	U BOLT SQUARE 2" WIDE	2
7	050910	HANGER, DRAG PAN	1
8	050937	DRAG PAN WELDMENT	1
9	050943	S HOOK #117 3/16" DIA.	4
10	051995	DUAL DRAG PAN TUBE, BRIDGE DECK	1

Mainframe Hydraulic Tank Assembly

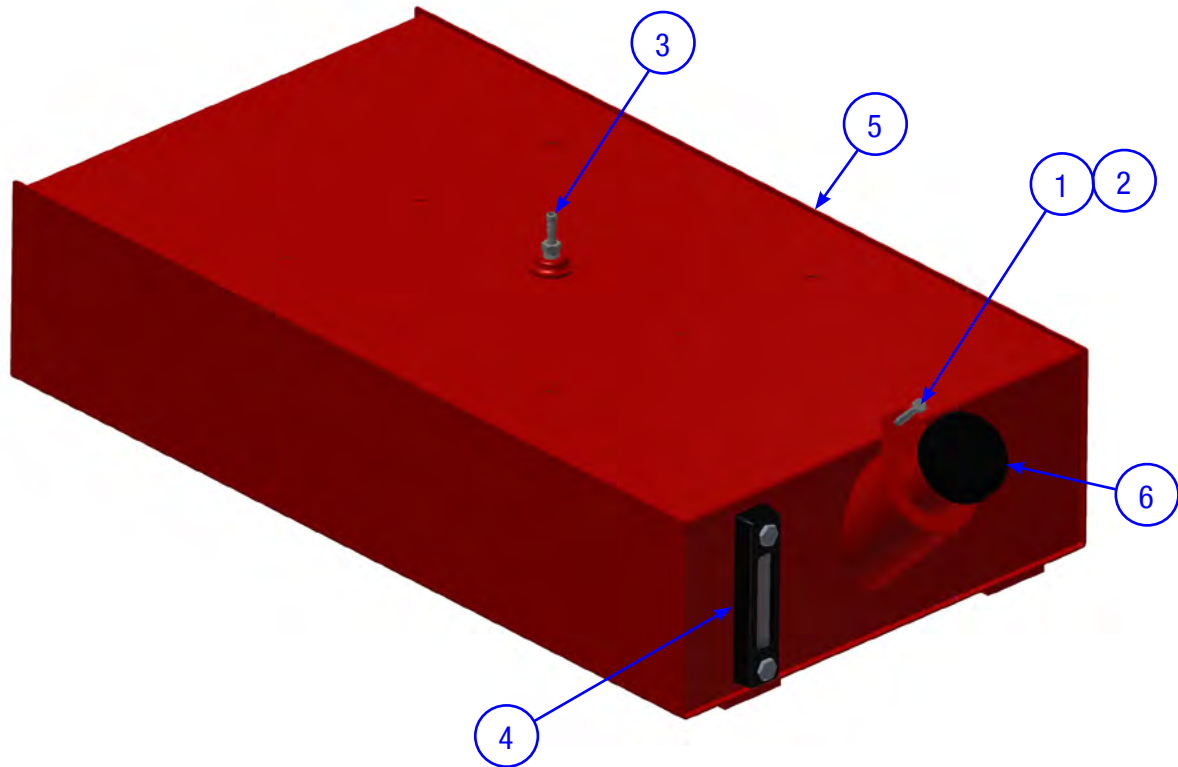
SECTION 2 PARTS



ITEM	PART NO.	DESCRIPTION	QTY
1	032268	UNIT, CHROME LOCKABLE GAS-HYDRA TANK CAP	1
2	042844	GAUGE, SNA HYDR LEVEL	1
3	045134	FILTER, RETURN LINE	1
4	046241	GAUGE, RETURN FILTER	1
5	050479	DOOR, CLEAN-OUT 6" (VESCOR 1917)	1
6	050591	HYD TANK WELDMENT FOR BRIDGE DECK POWER UNIT	1
7	050677	STRAINER 2" TO 1 1/4"	3

**SECTION 2
PARTS**

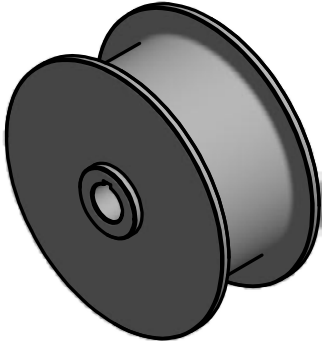
Mainframe Fuel Tank Assembly



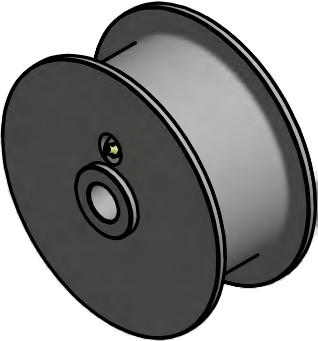
ITEM	PART NO.	DESCRIPTION	QTY
1	010007	FSTN, HHCS 1/4-20 X 2	1
2	029671	FSTN, NUT HEX 1/4-20 NYLOC	1
3	040112	HOSE BARB, 1/4 X 1/4	1
4	041402	GAUGE, 5" CENTER 1/2" BOLT CLEAR	1
5	053468	FUEL TANK WELDMENT FOR BRIDGE DECK POWER UNIT	1
6	053472	FUEL CAP, SMALL, EPA	1

Bogie Wheel Options

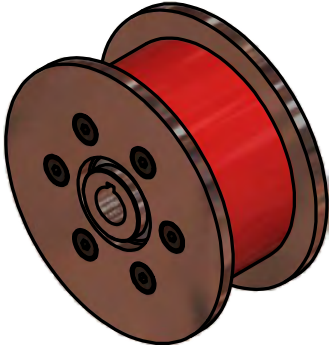
**SECTION 2
PARTS**



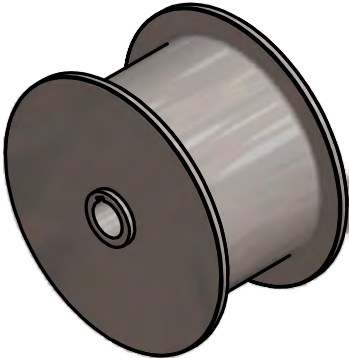
Part #: 052745
Steel, Double Flanged
Drive Wheel for 2" Forms



Part #: 052744
Steel, Double Flanged
Idle Wheel for 2" Forms



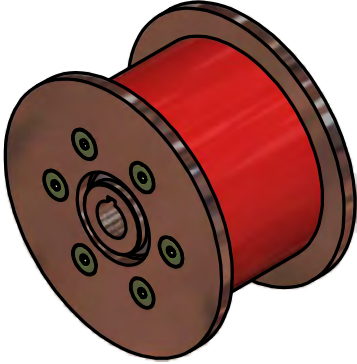
Part #: 065015
Poly Coated, Double Flanged
Drive Wheel for 2" Forms



Part #: 042562
Steel, Double Flanged
Drive Wheel for 3" Forms



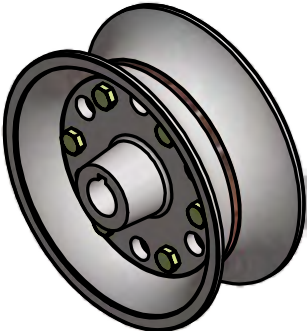
Part #: 042561
Steel, Double Flanged
Idle Wheel for 3" Forms



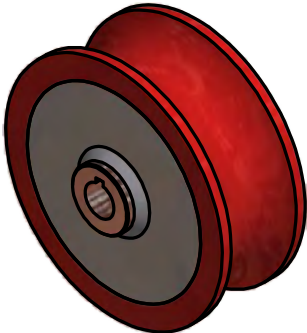
Part #: 065025
Poly Coated, Double Flanged
Drive Wheel for 3" Forms



Part #: 052004
Steel, 6" Cup Wheel
for 2", SCH 40 Pipe Rail



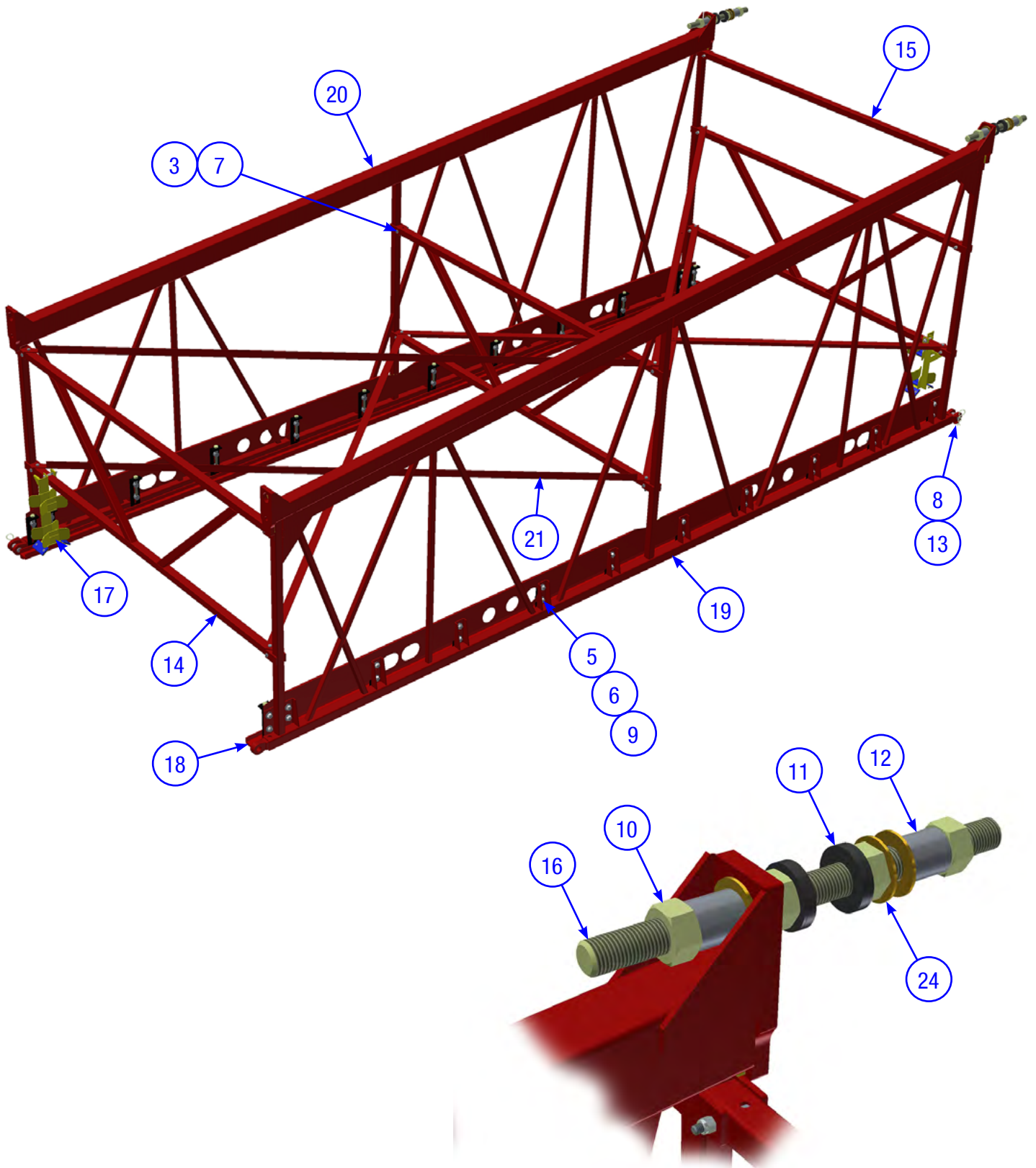
Part #: 062440
Steel, 6" Cup Wheel
for 2.5", SCH 40 Pipe Rail



Part #: 067440
Polyurethane Coated
6" Drive Cup Wheel

**SECTION 2
PARTS**

15' Transition Assembly - 058970



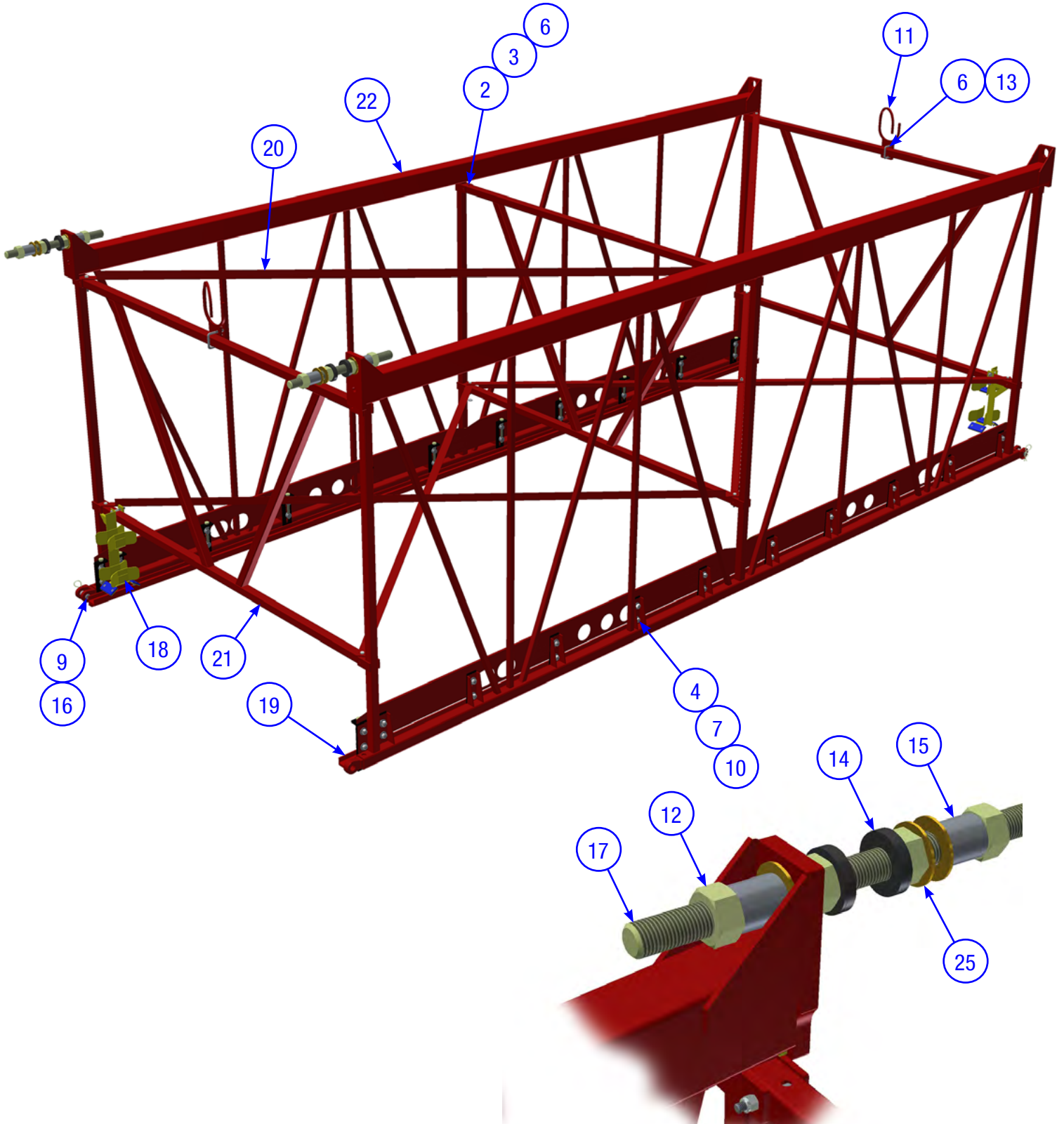
15' Transition Assembly - 058970

SECTION 2 PARTS

ITEM	PART NO.	DESCRIPTION	QTY
1	010041	FSTN, HHCS 3/8-16 X 2 GR 5	6
2	010042	FSTN, HHCS 3/8-16 X 2-1/2 GR 5	1
3	010043	FSTN, HHCS 3/8-16 X 2-3/4	17
4	010083	FSTN, FW 3/8	2
5	010085	FSTN, FW 1/2	48
6	010106	FSTN, NUT HEX 1/2-13	48
7	010464	FSTN, NUT NYLOK 3/8-16	23
8	022110	COTTERS, HAIRPIN	2
9	052108	ADJUST BOLT, BRIDGE DECK TRACK	48
10	052156	HEX NUT, 1 1/4-7	8
11	052168	SPHERICAL WASHER SET, 1 1/4	4
12	052171	SPACER, 1 1/2 X 3/16 X 2	4
13	052233	PIN, 1"	2
14	052418	CROSS FRAME, 18"	3
15	052468	CROSS TUBE	1
16	052472	ALL THREAD, 1 1/4-7 X 18	2
17	052516	CHAIN HANGER	2
18	052573	RAIL ASSEMBLY, 15'	2
19	058945	FRAME WMNT, RH 6048 15' LONG TRANSITION FRAME TO 66"	1
20	058965	FRAME WMNT, LH 6048 15' LONG TRANSITION FRAME TO 66"	1
21	058969	ANGLE BRACE, 113.230" FOR 15' BRIDGE SECT FRAME SECTION 6048	6
22	059717	ASSY, 15' HYD #8 HOSE F/ 15' 6048 MAIN FRAME SECTION (NOT SHOWN)	6
23	059718	ASSY, 15' HYD #4 HOSE F/ 15' 6048 MAIN FRAME SECTION (NOT SHOWN)	1
24	98023A041	Flat Washer SAE, 1-1/4" Screw Size, GR8	10

**SECTION 2
PARTS**

15', 66" Frame Assembly - 058983



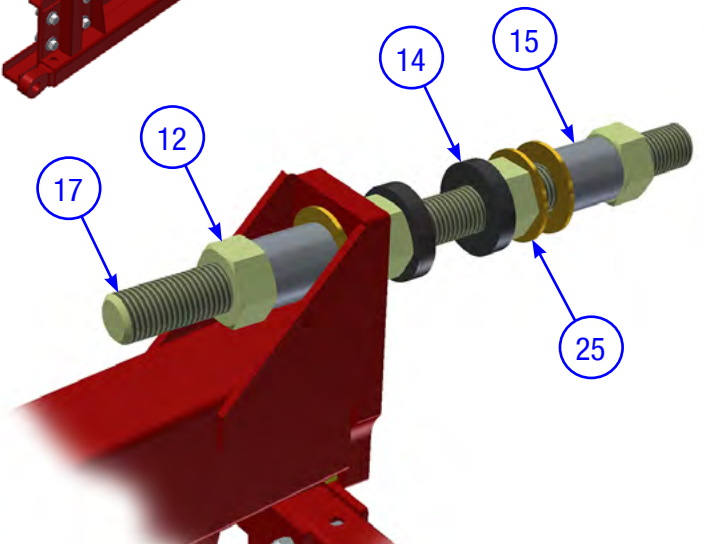
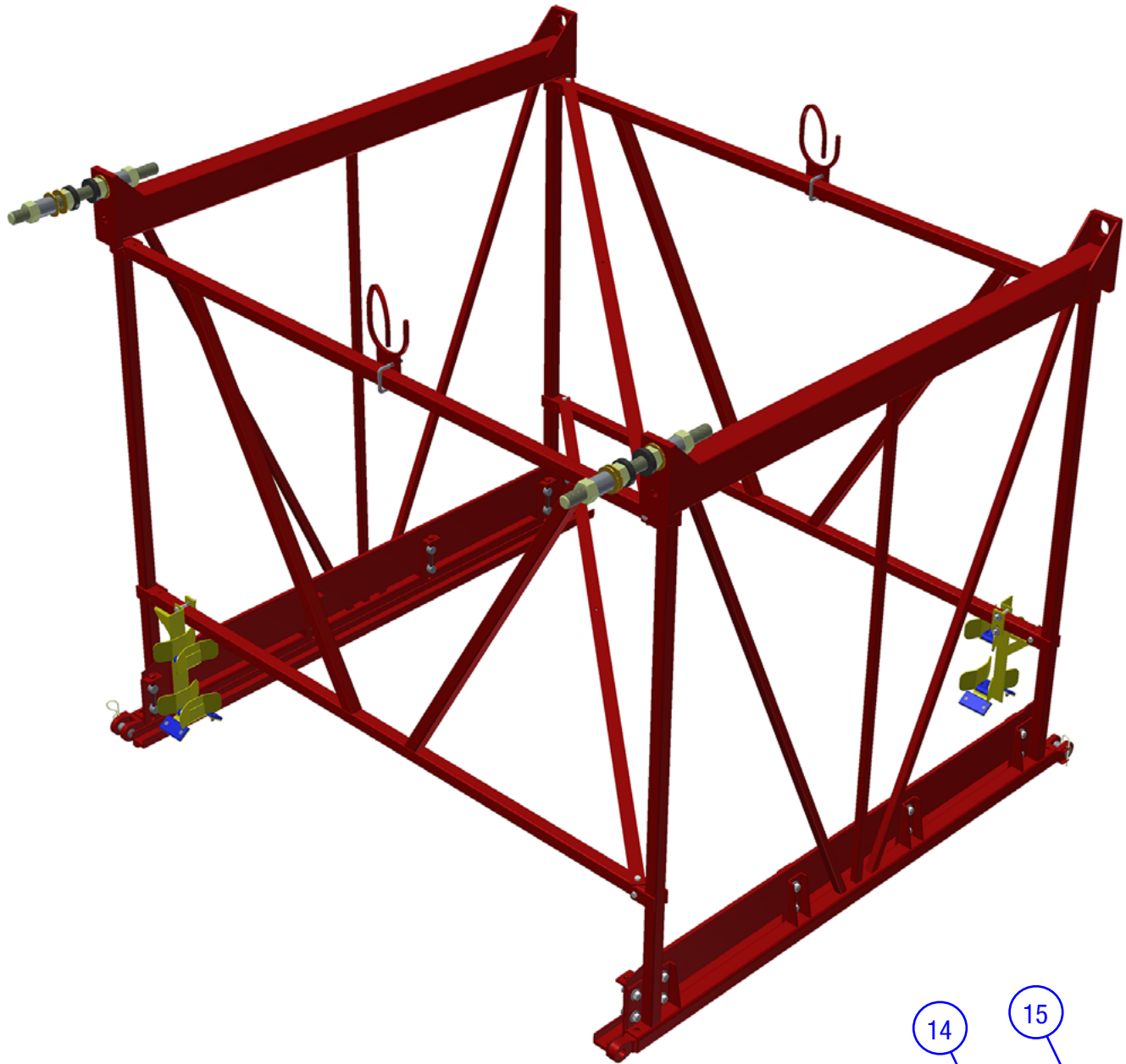
15', 66" Frame Assembly - 058983

SECTION 2 PARTS

ITEM	PART NO.	DESCRIPTION	QTY
1	010036	FSTN, HHCS 3/8-16 X 1	1
2	010042	FSTN, HHCS 3/8-16 X 2-1/2 GR 5	9
3	010083	FSTN, FW 3/8	6
4	010085	FSTN, FW 1/2	48
5	010091	FSTN, LW 3/8	4
6	010102	FSTN, NUT HEX 3/8-16	4
7	010106	FSTN, NUT HEX 1/2-13	48
8	010464	FSTN, NUT NYLOK 3/8-16	1
9	022110	COTTERS, HAIRPIN	2
10	052108	ADJUST BOLT, BRIDGE DECK TRACK	48
11	052137	HOSE HANGER	2
12	052156	HEX NUT, 1 1/4-7	8
13	052162	U-BOLT	2
14	052168	SPHERICAL WASHER SET, 1 1/4	4
15	052171	SPACER, 1 1/2 X 3/16 X 2	4
16	052233	PIN, 1"	2
17	052472	ALL THREAD, 1 1/4-7 X 18	2
18	052516	CHAIN HANGER	2
19	052573	RAIL ASSEMBLY, 15'	2
20	058969	ANGLE BRACE, 113.230" FOR 15' BRIDGE SECT FRAME SECTION 6048	6
21	058976	CROSS FRAME, FOR 66" FRAME	3
22	058978	FRAME WELDMENT, 15' LONG 66" BDF	2
23	059717	ASSY, 15' HYD #8 HOSE F/ 15' 6048 MAIN FRAME SECTION (NOT SHOWN)	6
24	059718	ASSY, 15' HYD #4 HOSE F/ 15' 6048 MAIN FRAME SECTION (NOT SHOWN)	1
25	98023A041	Flat Washer SAE, 1-1/4" Screw Size, GR8	8

**SECTION 2
PARTS**

6', 66" Frame Assembly - 058975



6', 66" Frame Assembly - 058975**SECTION 2
PARTS**

ITEM	PART NO.	DESCRIPTION	QTY
1	010042	FSTN, HHCS 3/8-16 X 2-1/2 GR 5	8
2	010085	FSTN, FW 1/2	24
3	010091	FSTN, LW 3/8	4
4	010102	FSTN, NUT HEX 3/8-16	4
5	010106	FSTN, NUT HEX 1/2-13	24
6	010464	FSTN, NUT NYLOK 3/8-16	8
7	022110	COTTERS, HAIRPIN	2
8	052108	ADJUST BOLT, BRIDGE DECK TRACK	24
9	052137	HOSE HANGER	2
10	052156	HEX NUT, 1 1/4-7	8
11	052162	U-BOLT	2
12	052168	SPHERICAL WASHER SET, 1 1/4	4
13	052171	SPACER, 1 1/2 X 3/16 X 2	4
14	052207	RAIL ASSEMBLY, 6'	2
15	052233	PIN, 1"	2
16	052472	ALL THREAD, 1 1/4-7 X 18	2
17	052516	CHAIN HANGER	2
18	052609	ANGLE BRACE, 97.089" FOR 6' BRIDGE SECT FRAME SECTION	2
19	058971	FRAME, 6' LONG BDF 66" WELDMENT	2
20	058976	CROSS FRAME, FOR 66" FRAME	2
21	059717	ASSY, 6' HYD #8 HOSE F/ 6' 6048 MAIN FRAME SECTION (NOT SHOWN)	6
22	059718	ASSY, 6' HYD #4 HOSE F/ 6' 6048 MAIN FRAME SECTION (NOT SHOWN)	1
23	98023A041		8

**SECTION 2
PARTS****Spare Engine Kit, Gasoline**

ITEM	PART NO.	PART DESCRIPTION	QTY
-	052552	SPARE ENGINE KIT, GASOLINE	-
1	019430	FASTENER, HOSE CLAMP, #4 MINI SIZE	2
2	029473	HOUR METER, TINY TACH	1
3	039155	HOSE, 1/4", FUEL (GATES 27313) [FEET]	0.72
4	040112	FITTING, HOSE, BARB, 1/4" MPT X 1/4"	1
5	045935	FITTING, F6400-12-10-0	2
6	050459	PUMP, TANDEM (BDP)	1
7	050686	VALVE, CHECK, BDP, FEMALE, #8 (1908C-1)	2
8	050850	ENGINE, 25 HP, KOHLER	1
9	050856	MUFFLER, KOHLER, CENTER OUTPUT	1
10	051181	HOSE, CARRIAGE ENGINE OIL DRAIN ASSEMBLY	1
11	052553	PLUG, DISCONNECT	1
12	052902	FITTING (6409-8)	2
13	066798	FITTING, NUT, CAP (304-C-12)	2
14	068636	BATTERY CABLE ASSEMBLY	1

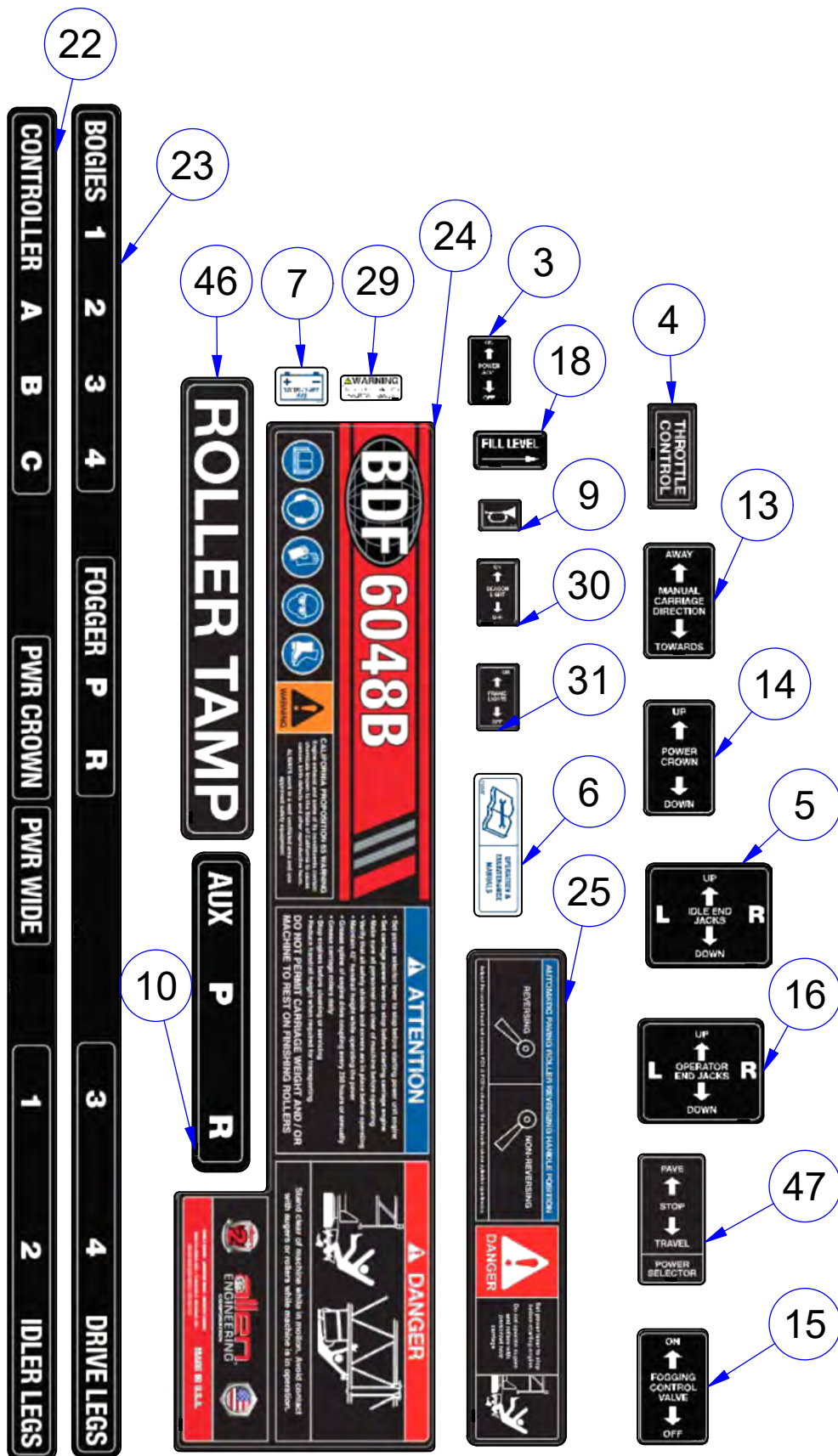
Optional Toolkit

SECTION 2 PARTS

ITEM	PART NO.	PART DESCRIPTION	QTY
-	052549	Kit, Tool Kit, Bridge Deck Finisher	-
1	-	Shim, 20GA, Wear Block for Carriage	5
2	-	Shim, 16GA, Wear Block for Carriage	5
3	-	Chain, Master Link, Aqua, C2050AQ	2
4	-	Chain, Connector Link, 50, Aqua	2
5	-	Wrench, Armstrong 27-599, WRRATBX12P	1
6	-	Cable Ties, 24" - 175# (50/PK)	1
7	-	Wrench, 1/2" x 9/16", 12-PT, Ratch-BO	1
8	-	Hex Key, Set, 51-3/16" - 3/8"	1
9	-	Hex Key, Set, 81.05" - 5/32"	1
10	-	Set, Wrench, Standard, 3/8" - 1-1/4", 14pc	1
11	-	Wrench, 12", Adjustable	1
12	-	Tachometer, Vibra-Tak, 2000-21000	1
13	-	Strap, Lifting, EN1-802 x 4FT	6
14	-	Twine, Nylon Braided, White	1 FT
15	-	Nipper, 00375 Cutting, B-10	1
16	-	Punch, 460, 1/4"	1
17	-	O-Ring, 012 Buna, 20-Pack	1
18	-	O-Ring, 014 Buna, 10-Pack	1
19	-	O-Ring, 115 Buna, 20-Pack	1
20	-	O-Ring, 117 Buna, 10-Pack	1
21	-	O-Ring, 120 Buna, 10-Pack	1
22	-	Wrench, Martin, 211A	1
23	-	Wrench, for Toolbox, Weldment	1
24	-	Fitting, HNV-14-M (HNV-04-04-N-NPT) 10-9-1	2
25	-	Fitting, Quick Disconnect Female (HNV-14-F)	2
26	-	Duffel Bag, 26"	1

SECTION 3 DECALS

Decals, BDF6048B





SECTION 3
DECALS

Decals, BDF6048B



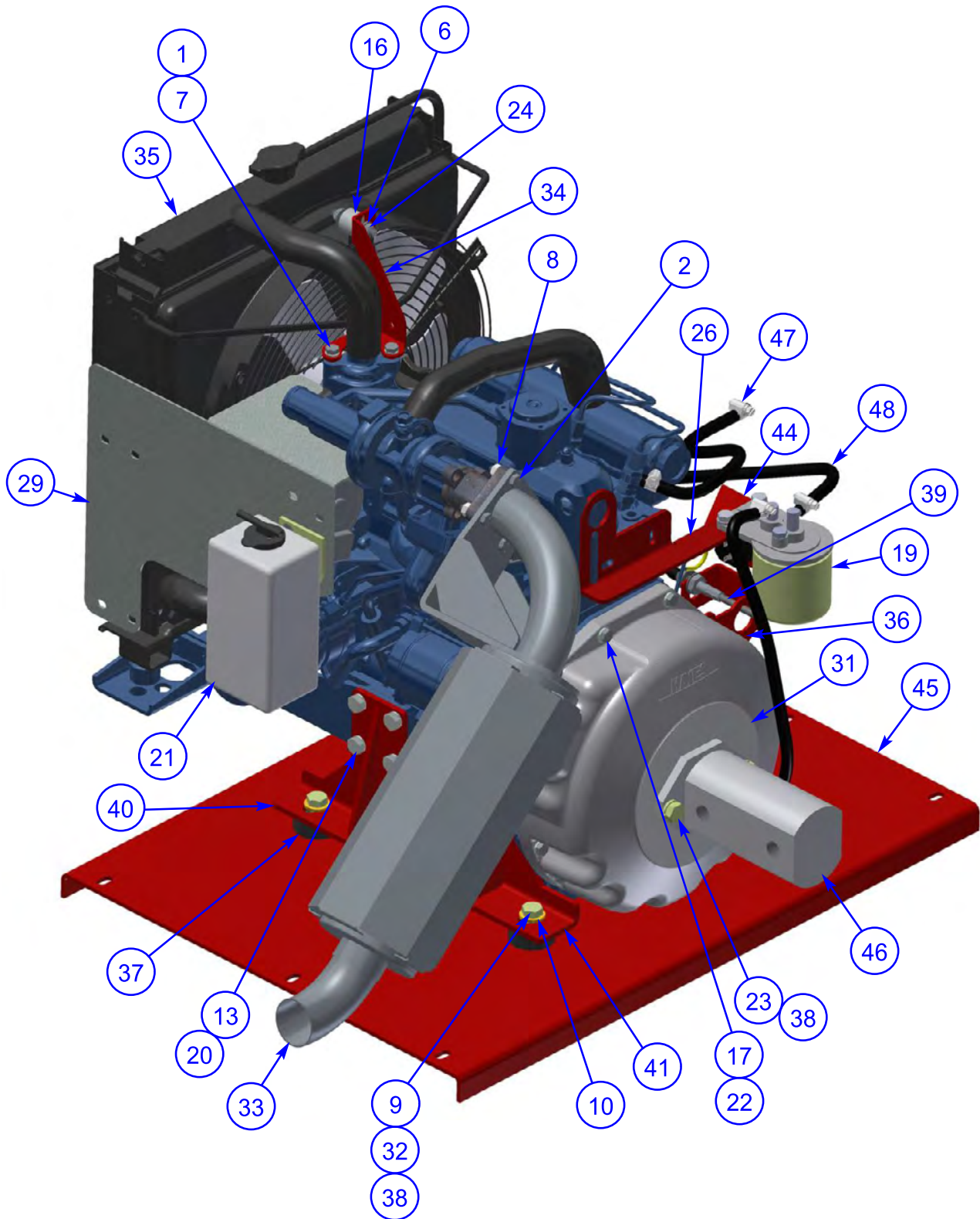
Decals, BDF6048B Parts List

SECTION 3 DECALS

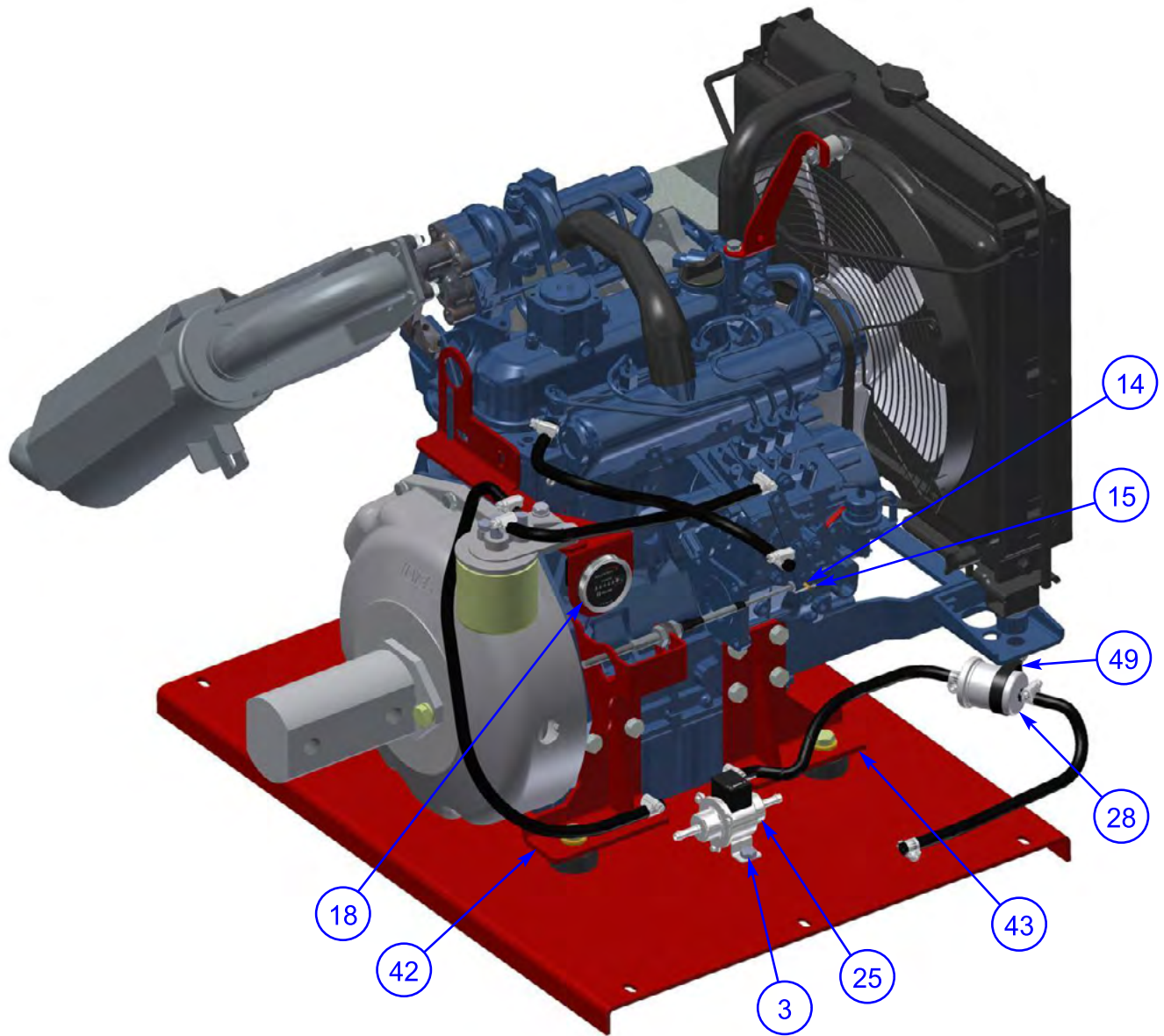
ITEM	PART NO.	PART DESCRIPTION	QTY
-	075360	KIT, BDF6036B DECALS	-
1	050150	AUGER POWER ON/OFF	1
2	069169	BDF LEG WARNING	4
3	069160	POWER ACC. ON/OFF	1
4	055592	THROTTLE CONTROL	1
5	069174	IDLE END JACK CONTROLS	1
6	065657	OPERATOR'S MANUAL	1
7	065919	12 VOLT DC / 5 AMP MAX	1
8	068459	TIE DOWN	4
9	068958	HORN	1
10	069144	BDF AUX	1
11	069148	LEFT AUGER CONTROL	1
12	069151	GASOLINE INSTRUCTIONS	1
13	069154	MANUAL CARRIAGE	1
14	069155	POWER CROWN	1
15	069156	FOGGING CONTROL	1
16	069158	POWER JACK OPERATOR END CONTROLS	1
17	069159	CARRIAGE SPEED/MACHINE TRAVEL DISTANCE	1
18	069161	FILL LEVEL ARROW	6
19	069162	BIAS VALVES, DRIVE END	2
20	069165	CARRIAGE GAS TANK WARNING	1
21	069167	LEG CRANK INFORMATION	4
22	069170	HYDRAULIC HOOK UPS BAR 1	1
23	069171	HYDRAULIC HOOK UPS BAR 2	2
24	069189	CONTROL PANEL WARNING	1
25	069190	AUTO PAVING	1
26	069191	CARRIAGE AUGER POWER	2
27	069193	CARRIAGE HYDRAULIC TANK WARNING	1
28	069224	AUGER CONTROL RIGHT	1
29	069225	PROPOSITION 65	1
30	069261	BEACON LIGHT	1
31	069278	FRAME LIGHTS	1
32	070402	DANGE, HIGH PRESSURE WARNING	1

**SECTION 3
DECALS****Decals, BDF6048B Parts List Continued**

ITEM	PART NO.	PART DESCRIPTION	QTY
-	075360	KIT, BDF6036B DECALS	-
33	072966	CHECK ENGINE LIGHT	1
34	072967	OIL PRESSURE	1
35	074008	TRAVEL, MANUAL/OFF/AUTO	1
36	074009	CARRIAGE ON/OFF	1
37	075277	MADE IN AMERICA	1
38	075373	AEC BRAND LOGO MARK 8" X 8"	4
39	075379	ALLEN CONCRETE PAVERS (END) 73" X 11-1/2"	2
40	075380	ALLEN CONCRETE PAVERS (SIDE) 51-1/4" X 11-1/2"	2
41	075641	PINCH POINT	10
42	075718	68 HYDRAULIC FLUID	1
43	075720	CARRIAGE LIFT	1
44	075721	CARRIAGE SPUD VIBRATOR	1
45	075722	SPLITTER COVER WARNING	1
46	075831	ROLLER TAMPER	1
47	075832	POWER SELECTOR	1



Correction: The Power Unit Assembly uses a Triple pump (075201) not the double shown.

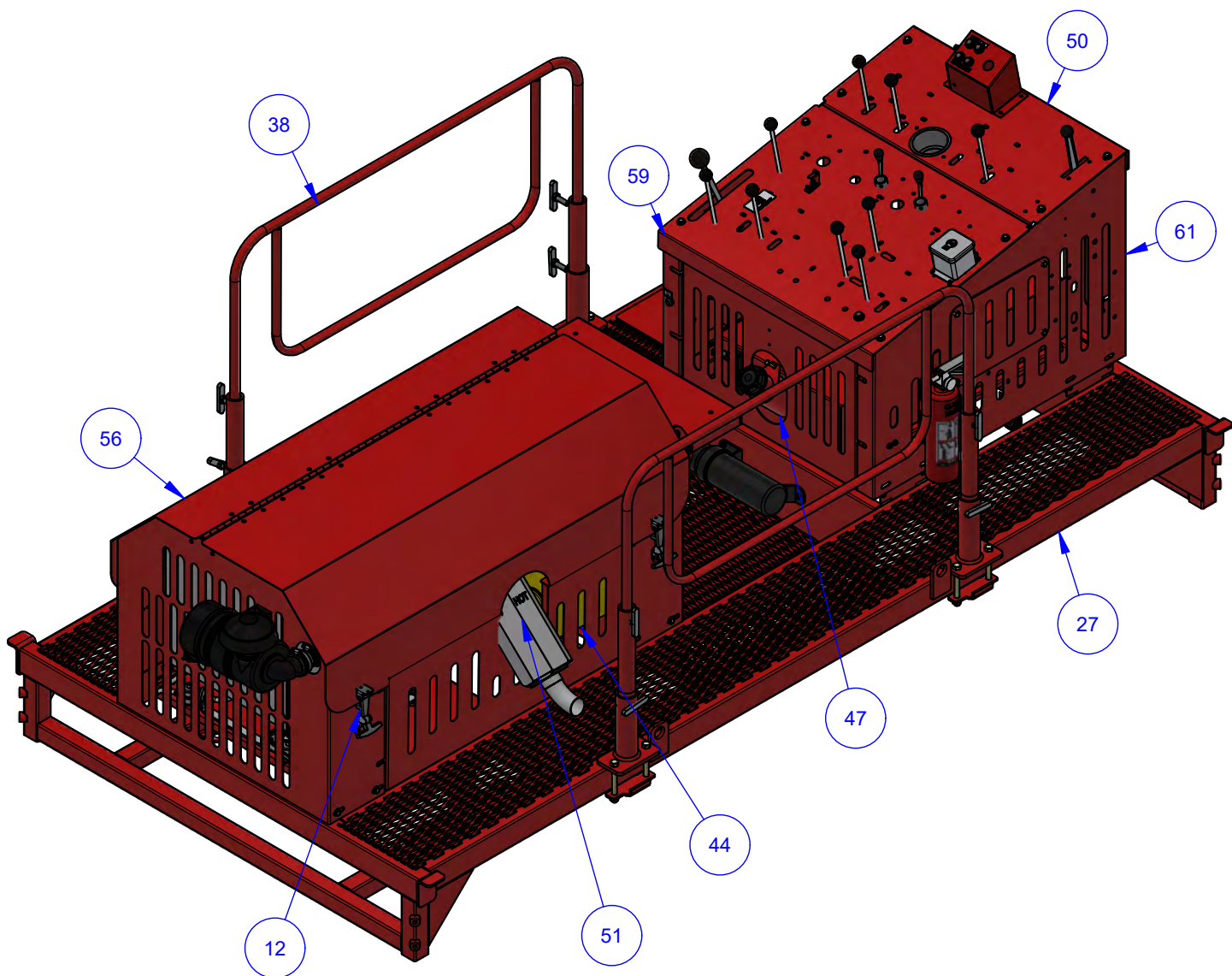


Correction: The Power Unit Assembly uses a Triple pump (075201) not the double shown.

Kubota Engine Assembly Parts List

ADDENDUM A PARTS

ITEM	PART NO.	DESCRIPTION	QTY
1	010019	FSTN, HHCS 5/16-18 X 3/4 GR 5	2
2	010021	FSTN, HHCS 5/16-18 X 1-1/4 GR5	4
3	010035	FSTN, HHCS 3/8-16 X 3/4	2
4	010036	FSTN, HHCS 3/8-16 X 1	2
5	010081	FSTN, FW 1/4	2
6	010082	FSTN, FW 5/16	2
7	010090	FSTN, LW 5/16	6
8	010100	FSTN, NUT HEX 5/16-18	4
9	011489	BOLT, 1/2-20x 3-1/2 GR 8 HHC	4
10	011490	FSTN, FW HARDENED 1/2	4
11	020514	FSTN, NUT STOVER LOCK 3/8-16	4
12	020542	FSTN, NUT STOVER LOCK 1/4-20	2
13	021072	FSTN, LW 10MM	16
14	024984	PIVOT, THROTTLE CABLE	1
15	026226	PIN, Ø3/32 X 3/4 ZP STL COTTER	1
16	028556	ISOLATOR, 25MM X 20MM "A" BUFFER	1
17	029032	DIN 127 - M8	8
18	029824	HOURMETER, Ø2 OPERATING TIME	1
19	037777	ASSY, FUEL FILTER	1
20	037778	SCR, 10MMx1.25x30 HHC	16
21	037791	OVERFLOW TANK WITH BRACKET	1
22	037820	8MM x 1.25 x 30MM HHCS	8
23	038508	FSTN, HHCS 1/2-13 X 1 1/4 GR 8	2
24	040004	FSTN, 5/16-18 GR-C STOVER HEX NUT	2
25	040330	PUMP, 12 V ELECTRONIC FUEL	1
26	041586	BRACKET, FUEL FILTER KUBOTA ENGINE	1
27	043265	BOLT, FLAT HD, ALLEN, 1/4-20	2
28	043920	FILTER, IN-LINE DIESEL	1
29	046394	COVER, ALTERNATOR	1
30	046441	COVER, FUEL PUMP	1
31	046688	HOUSING, HS530A 952057 COUPLING	1
32	046843	NUT, 1/2-20 Y-ZINC GR 8 HEX	4
33	048639	MUFFLER, X1	1
34	049028	BRACKET, RAD SUPPORT MSP460	1
35	049859	ENGINE, KUBOTA D1105-T-E3B	1
36	051044	BRACKET, THROTTLE 1105T KUBOTA GANG VIBRATION	1
37	052595	MOUNT, DAMPING F/ DH1105B-1 ENGINE	4
38	055039	FSTN, LW 1/2 GR8 YELLOW ZINC	6
39	057228	THROTTLE CABLE, 155" LONG	1
40	057610	WELDMENT, RH FRONT ENGINE MOUNT RS800	1
41	057611	WELDMENT, LH REAR ENGINE MOUNT RS800	1
42	057612	WELDMENT,RH REAR ENGINE RS800	1
43	057613	WELDMENT, RH REAR ENGINE MOUNT	1
44	057861	BRACKET, HOUR METER MOUNT FOR RS800 SERIES	1
45	058987	ENGINE PLATE, KUBOTA 32 HP FOR BRIDGE DECK POWER UNIT	1
46	059706	PUMP TANEM, BRDIGE DECK	1
47	019430	FSTN, CLAMP SIZE 4 MINI HOSE	10
48	019429	HOSE, 5/16" FUEL LINE	8'
49	040389	CLIP, 1 3/4" WIRE LOOM	1

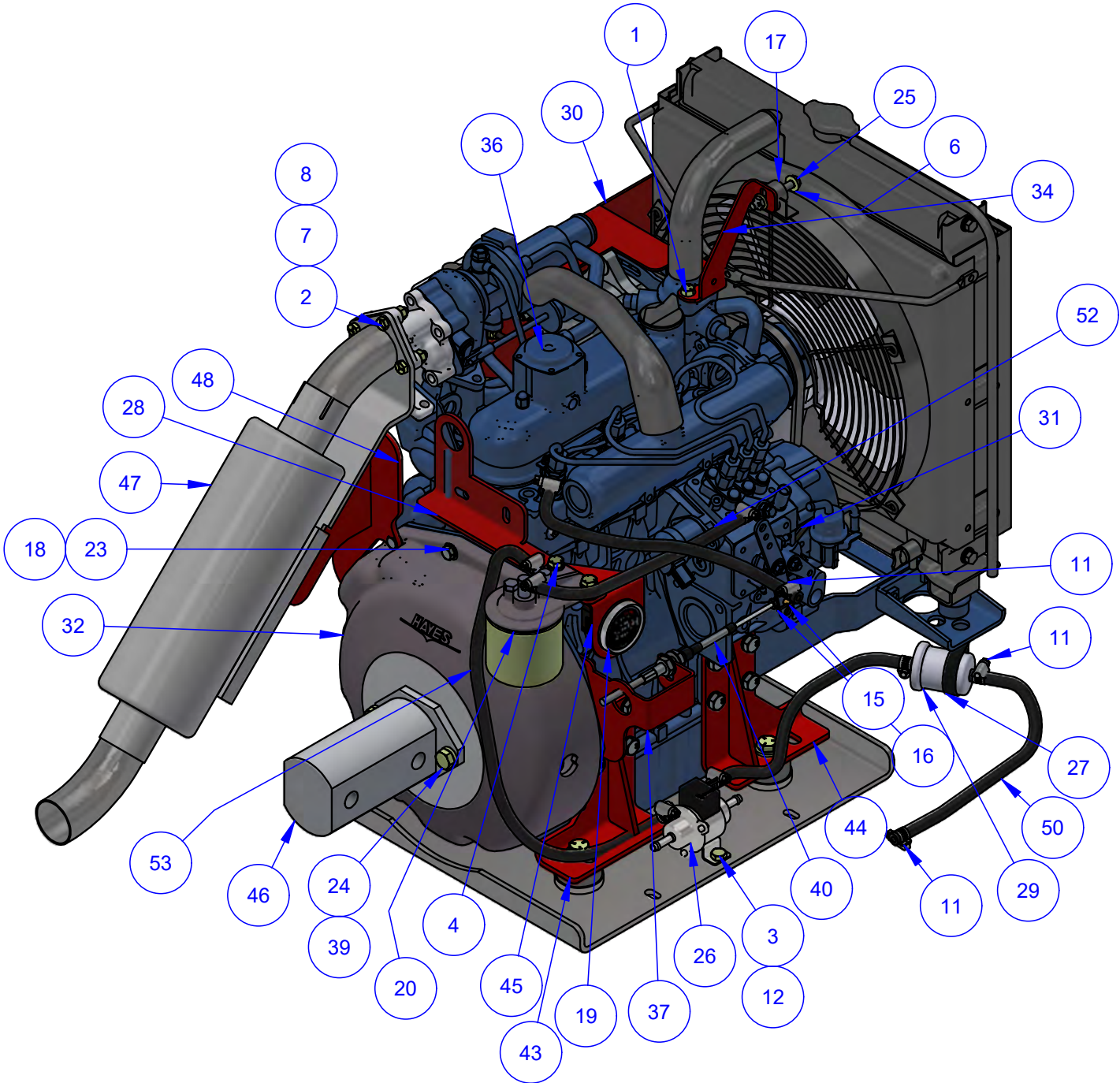


PARTS LIST			
ITEM	PART NO.	DESCRIPTION	QTY
1	010002	FSTN, HHCS 1/4-20 X 3/4	3
2	010036	FSTN, HHCS 3/8-16 X 1 GR 8	24
3	010081	FSTN, FW 1/4	3
4	010089	FSTN, LW 1/4	6
5	010093	FSTN, LW 1/2 GR8	8
6	010098	FSTN, NUT HEX 1/4-20	2
7	010106	FSTN, NUT HEX 1/2-13 GR8	8
8	017751	FSTN, FW HARD A325 3/8 (p)	25
9	020542	FSTN, NUT STOVER LOCK 1/4-20	3
10	033771	FSTN, HHCS 1/2-13 X 4 1/2" GR 8	8
11	041537	CUP HOLDER	1
12	042260	LATCH, T-HANDLE EXTRA-LARGE DRAW	4
13	047643	LOCKING CONTROL, QUADRASTAT (Q14020)	1
14	048352	CLAMP, #20 HOSE	1
15	048601	BRACKET, THROTTLE CABLE X1	1
16	048658	PUMP, AUXILLARY X1	1
17	048673	BREATHER, 90° ELBOW X1	1
18	048674	HOOD, INLET (STYLE E) X1	1
19	048675	BAND, POLYMER MOUNTING X1	1
20	048682	HUMP CONNECTOR	2
21	048728	TUBE, ELBOW/HUMP CONNECTION X1	1
22	048797	ELBOW, SAMCO MODIFIED F/ HDX600	1
23	049581	2" ID 90 DEGREE ELBOW RUBBER	1
24	049588	FEMALE RECEPTICAL 12VDC	1
25	050450	VALVE, FINISH TUBES AO100T4LD	10
26	050458	VALVE, FLOW CONTROL	2
27	050533	WELDMNT POWER UNIT MAIN FRAME 06036B/4836B	1
28	050552	SEAT PLATE WELDMNT	1
29	050555	CLAMP, PU PLATE BDF	4
30	050558	SIDE PANEL OPERATOR CONSOLE	2
31	050567	KNOB, 2" BLACK PHENOLIC BALL	1
32	050577	REAR HYD CONSOLE PANEL WELDMNT	1
33	050578	FRONT HYD CONSOLE PANEL WELDMNT	1
34	050580	SEAT MNT BRKT RH	1
35	050582	HANDRAIL EXT TUBE	4
36	050595	FLOW CONTROL LEVER	2
37	050596	KNOB, TEARDROP, 3/8-16	2
38	050599	HANDRAIL WELDMNT	2
39	050601	TEE BOLT WELDMNT	8
40	050602	SEAT MNT BRKT LH	1

ADDENDUM A PARTS

Kubota Power Unit Assembly Parts List Continued- 065090

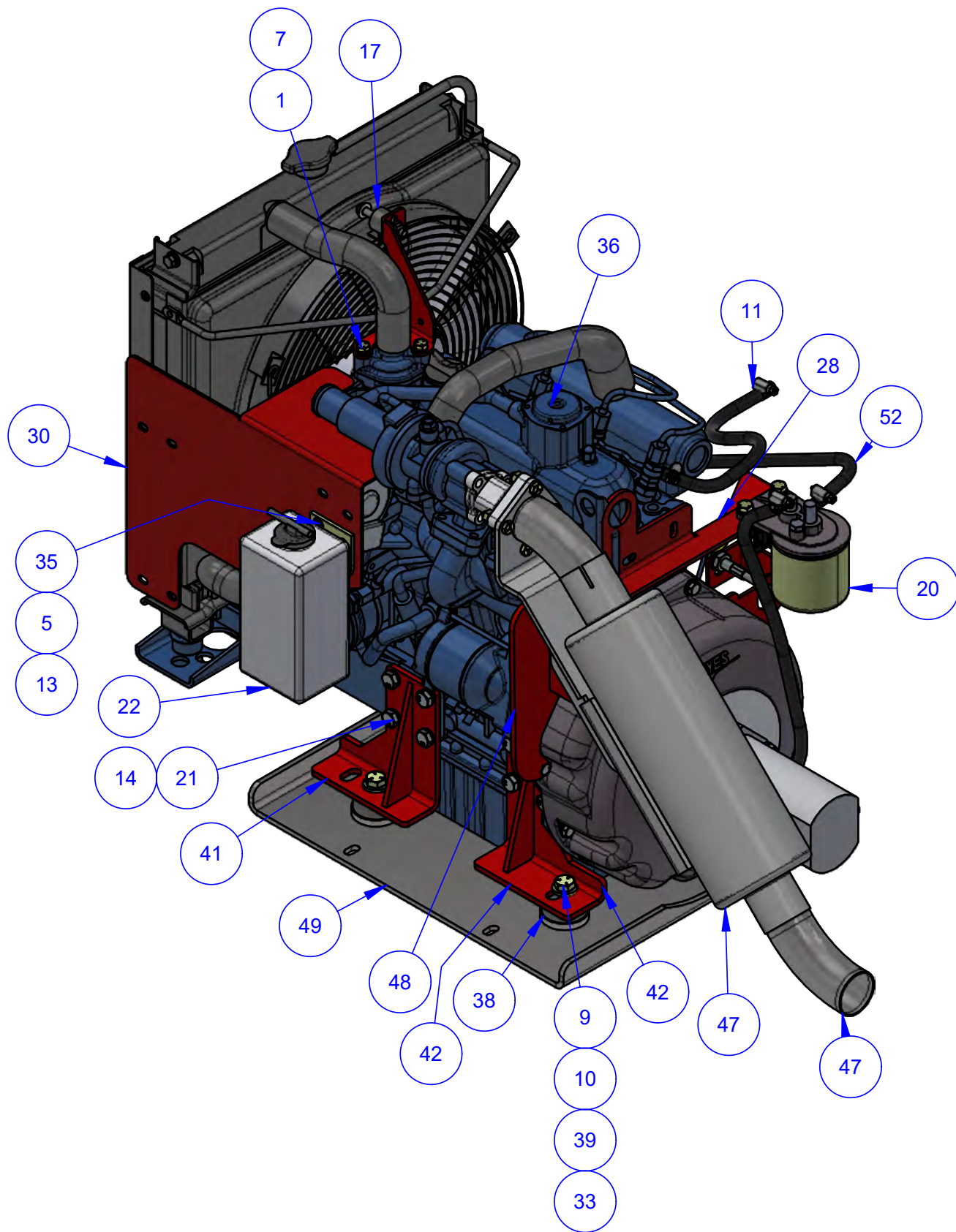
40	050602	SEAT MNT BRKT LH	1
41	050603	SWITCH TOGGLE, ON/OFF 12VDC	1
42	050604	COVER, TOGGLE, SAFETY	1
43	050632	TERMINAL STRIP 6 GANG BLOCK	1
44	051047	HYD TANK ASSEMBLY	1
45	052361	PLATE, CONTROL CABLE SPACER	1
46	052481	U BOLT	1
47	053471	ASSEMBLY, FUEL TANK F/ BDF MAINFRAME	1
48	058940	CONTROL PANEL, ENGINE START DIESEL POWERD OPRION 6048 BDF	1
49	058946	COVER, ENGINE CONTROL PANEL DIESEL OPTION BDF	1
50	058964	UPPER CONTROL PANEL 6048 DIESEL POWER UNIT OPTION	1
51	058988	ENGINE ASSEMBLY, 32 KUBOTA BRIDGE DECK POWER UNIT DIESEL OPTION	1
52	058990	LOWER RH ENGINE SIDE PANEL WELDMNT FOR DIESEL ENGINE OPTION	1
53	058993	REAR HOOD MNT WELDMNT FOR DIESEL OPTION POWER UNIT	1
54	058994	ASSY, ENGINE ENCLOSURE HYD TANK SIDE DIESEL OPTION	1
55	058996	LOWER LH ENGINE SIDE PANEL WELDMNT DIESEL POWER UNIT OPTION	1
56	058998	ENGINE COVER WELDMNT POWER UNIT FOR DIESEL ENGINE OPTION	1
57	066255	MANUAL TUBE	1
58	066780	SHIFT LEVER WELDMNT RIGHT HAND PLACEMENT	1
59	066781	CONTROL PANEL F/ MAIN FRAME SHIFTER ON LEFT HAND SIDE	1
60	066782	LEFT HAND CONSOLE PANEL WELDMNT WITH SHIFTER ON LH SIDE	1
61	066786	RIGHT CONSOLE PANEL WELDMNT WITH SHIFTER ON LH SIDE	1
62	068932	FIRE EXTINGUISHER	1
63	068933	Bracket for Fire Extinguisher	1
64	068956	SWITCH, MOMINTARY OFF/ RESET AND HORN FOR BDF MAIN FRAME POWER UNIT	1
65	068957	HORN 12 VOLT DC FOR BDF	1
66	076950	LIGHT, LED INDICATOR GREEN	1
67	076951	LIGHT AMBER INDICATOR	1
68	076952	LIGHT RED INDICATOR	3
69	INTAKE HOSE	PIPE, INLET F/ B53 KUBOTA BREATHER	1



Correction: The Power Unit Assembly uses a Triple pump (075201) not the double shown.

ADDENDUM A PARTS

Kubota Carriage Power Unit Assembly - 065086



PARTS LIST			
ITEM	PART NO.	DESCRIPTION	QTY
1	010019	FSTN, HHCS 5/16-18 X 3/4 GR 8	2
2	010021	FSTN, HHCS 5/16-18 X 1-1/4 GR8	4
3	010035	FSTN, HHCS 3/8-16 X 3/4	2
4	010036	FSTN, HHCS 3/8-16 X 1 GR 8	2
5	010081	FSTN, FW 1/4	2
6	010082	FSTN, FW 5/16	2
7	010090	FSTN, LW 5/16	6
8	010100	FSTN, NUT HEX 5/16-18 GR8	4
9	011489	BOLT, 1/2-20x 3-1/2 GR 8 HHC	4
10	011490	FSTN, FW HARDENED 1/2	4
11	019430	FSTN, CLAMP SIZE 4 MINI HOSE	10
12	020514	FSTN, NUT STOVER LOCK 3/8-16	4
13	020542	FSTN, NUT STOVER LOCK 1/4-20	2
14	021072	FSTN, LW 10MM	16
15	024984	PIVOT, THROTTLE CABLE	1
16	026226	PIN, Ø3/32 X 3/4 ZP STL COTTER	1
17	028556	ISOLATOR, 25MM X 20MM "A" BUFFER	1
18	029032	FSTN, LW 8MM	8
19	029824	HOURLY METER, Ø2 OPERATING TIME	1
20	037777	ASSY, FUEL FILTER	1
21	037778	SCR, 10MMx1.25x30 HHC	16
22	037791	OVERFLOW TANK WITH BRACKET	1
23	037820	8MM x 1.25 x 30MM HHCS	8
24	038508	FSTN, HHCS 1/2-13 X 1 1/4 GR 8	2
25	040004	FSTN, 5/16-18 GR-C STOVER HEX NUT	2
26	040330	PUMP, 12 V ELECTRONIC FUEL	1
27	040389	CLIP, 1 3/4" WIRE LOOM	1
28	041586	BRACKET, FUEL FILTER KUBOTA ENGINE	1
29	043920	FILTER, FUEL, DIESEL, IN-LINE	1
30	046394	COVER, ALTERNATOR	1
31	046441	COVER, FUEL PUMP	1
32	046688	HOUSING, HS530A 952057 COUPLING	1
33	046843	NUT, 1/2-20 Y-ZINC GR 8 HEX	4
34	049028	BRACKET, RAD SUPPORT MSP460	1
35	049352	SCREW, 1/4-20x1 SKT FLT HD CAP	2

ADDENDUM A PARTS

Kubota Carriage Power Unit Parts List Continued - 065086

18	029032	FSTN, LW 8MM	8
19	029824	HOURMETER, Ø2 OPERATING TIME	1
20	037777	ASSY, FUEL FILTER	1
21	037778	SCR, 10MMx1.25x30 HHC	16
22	037791	OVERFLOW TANK WITH BRACKET	1
23	037820	8MM x 1.25 x 30MM HHCS	8
24	038508	FSTN, HHCS 1/2-13 X 1 1/4 GR 8	2
25	040004	FSTN, 5/16-18 GR-C STOVER HEX NUT	2
26	040330	PUMP, 12 V ELECTRONIC FUEL	1
27	040389	CLIP, 1 3/4" WIRE LOOM	1
28	041586	BRACKET, FUEL FILTER KUBOTA ENGINE	1
29	043920	FILTER, FUEL, DIESEL, IN-LINE	1
30	046394	COVER, ALTERNATOR	1
31	046441	COVER, FUEL PUMP	1
32	046688	HOUSING, HS530A 952057 COUPLING	1
33	046843	NUT, 1/2-20 Y-ZINC GR 8 HEX	4
34	049028	BRACKET, RAD SUPPORT MSP460	1
35	049352	SCREW, 1/4-20x1 SKT FLT HD CAP	2
36	049859	ENGINE, KUBOTA D1105-T-E3B	1
37	051044	BRACKET, THROTTLE 1105T KUBOTA GANG VIBRATION	1
38	052595	MOUNT, DAMPING F/ DH1105B-1 ENGINE	4
39	055039	FSTN, LW 1/2 GR8 YELLOW ZINC	6
40	057228	THROTTLE CABLE, 155" LONG	1
41	057610	WELDMENT, RH FRONT ENGINE MOUNT RS800	1
42	057611	WELDMENT, LH REAR ENGINE MOUNT RS800	1
43	057612	WELDMENT,RH REAR ENGINE MNT TIER4 ENGINE BDF	1
44	057613	WELDMENT, RH REAR ENGINE MOUNT	1
45	057861	BRACKET, HOUR METER MOUNT FOR RS800 SERIES	1
46	059706	PUMP TANDEM, BRIDGE DECK	1
47	065091	MUFFLER, WELDMENT DIESEL POWER OPTION 6036B BDF CARRIAGE	1
48	065092	MUFFLER SUPPORT BRACKET, 6036B BDF CARRIAGE DIESEL OPTION	1
49	065098	ENGINE PLATE, FOR 6036B CARRIAGE ASSEMBLY WITH DIESEL POWER	1
-	037775	KIT, AIR CLEANER (B54)	1
-	037776	KIT, MUFFLER (CO3)	1
-	037777	KIT, FUEL FILTER	1
-	037779	SENSOR, TEMPERATURE	1
-	037784	CONTROL BOX W/ WIRING HARNESS	1
-	037785	KEYSWITCH, KUBOTA (E02)	1

Revision Detail

MANUAL REVISION DETAIL

REVISION #	REVISION DATE	REVISION REFERENCE #	REVISION BY
-	-	Initial Release	AW
A	03/20	Update to Machine Standard	MW
B	01/2022	Updated Covers	MK
C	02/2022	Updated Decal Kit	MK
D	05/2022	Corrected Manual Tube PN	MK
E	12/23	Added Addendum A for Diesel Option	MK
F	04/24	24-050, 24-186	MK



AEC FACTORY & HEADQUARTERS

819 S. 5TH STREET
PARAGOULD, ARKANSAS 72450
870.236.7751
800.643.0095 (TOLL FREE (USA ONLY))

MAILING

PO BOX 819
PARAGOULD, ARKANSAS 72451

ALLENENG.COM

CONNECT WITH US ON SOCIAL

