

WHEEL BUGGIES

AW16-K, AW21-K & AW16-P



PARTS & DECALS MANUAL

Manual Part #: 069583P | Revision: B
Language: English | Original Instructions



POWER WHEEL BUGGY

PARTS & DECALS MANUAL

This manual covers the products listed below:

Part No.	Description
070080	Buggy, Recoil, 14 HP Kohler, 16ft ³ Bucket
070081	Buggy, Electric, 14 HP Kohler, 16ft ³ Bucket
070082	Buggy, Propane, 14 HP Kohler, 16ft ³ Bucket (PENDING)
070083	Buggy, Electric, 20.5 HP Kohler, 21ft ³ Bucket

For information regarding the following, please see “AW16-K & AW21-K - Safety & Operator Manual”

- Warranty Information
- Dealer Information
- How to identify the Model / Serial Numbers on the machine
- Engine Detail

Table of Contents

Sect No.	Title	Page
1.0	Parts	4
	Factory Service Information / Replacement Parts Procedure	5
	General Arrangement	6
	Steering Column	8
	Service & Parking Brake	10
	Hydraulic System	14
	Hydraulic Motor	18
	Bucket & Base Assembly	20
	Travel Speed Control Assembly	21
	Wheel Assembly	23
	Console Mounted Dump Lever	25
	Handle Mounted Dump Lever	26
	Fuel System for AW21, Kohler 20.5HP Engine (Electric Start)	28
	Propane Assembly (AW16 ONLY) {Pending}	30
	Filter Kits	31
2.0	Decals	32
	Decals, AW16-K	33
	Decals, AW16P	35
	Decals, AW21-K	37
	Revision Detail	39

**Section 1
PARTS**

Factory Service Information

Replacement Parts Procedure

SECTION 1

PARTS

This section contains the illustrated drawings and parts list for help in identifying and/or ordering replacement parts for your machine. Follow the instructions in the front section of this manual “Ordering Parts” when ordering replacement parts to insure prompt and accurate delivery.



All set screws have blue (LOC-TITE™) applied at the factory. If set screw is removed or loosened for any reason re-apply blue (LOC-TITE™).



All grease fittings are capped with CAP PLUG GC-5(AEC PN 015692) to protect the fitting. If cap becomes missing or damaged replace it as soon as possible. Anti-Seize is applied at the factory to all drive line coupling,



gear box main and counter shafts and pitch control threaded rod assemblies. If these parts are disassembled re-apply a light coat of a graphite based anti-seize.

We recommend AEC quality replacement parts, available from the AEC Customer Service Department or your nearest AEC Dealer.

Part numbers are subject to change without notice. Part numbers might be different outside of the United States of America. Use part numbers listed in the applicable parts list table when you place your order. If a part number changes, the AEC Customer Service Department or your nearest AEC dealer will have the latest part number for the replacement part.

Remember when you order replacement parts, you will need your model number and serial number. These are the numbers that you have recorded in the UNIT ID section of this manual. Please order replacement parts by the appropriate part number, not the key number.

This manual contains an illustrated parts list for help in ordering replacement parts for your machine. Follow the instructions below when ordering parts to insure prompt and accurate delivery:

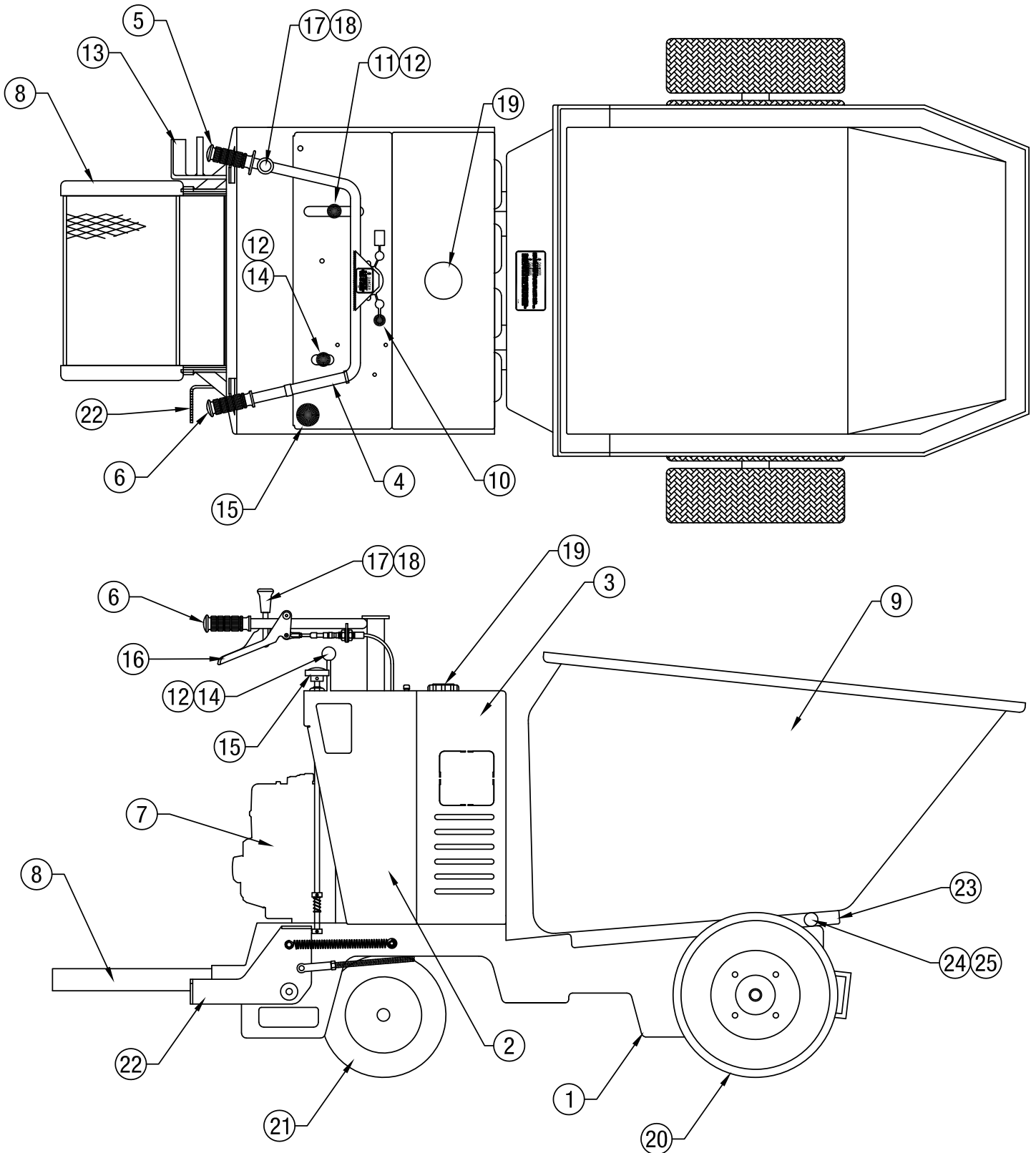
1. All orders for service parts - include the serial number for the machine. Shipment will be delayed if this information is not available.
2. Include correct description and part number from the “PARTS” Section 4.
3. Specify exact shipping instructions, including the preferred routing and complete destination address.
4. **DO NOT** return parts to AEC without receiving written authorization from AEC. All authorized returns must be shipped pre-paid.
5. When placing an order, please contact the AEC Dealer nearest you.



All information, specifications, and illustrations in this manual are subject to change without notice and are based on the latest information at the time of publication.

SECTION 1 PARTS

General Arrangement



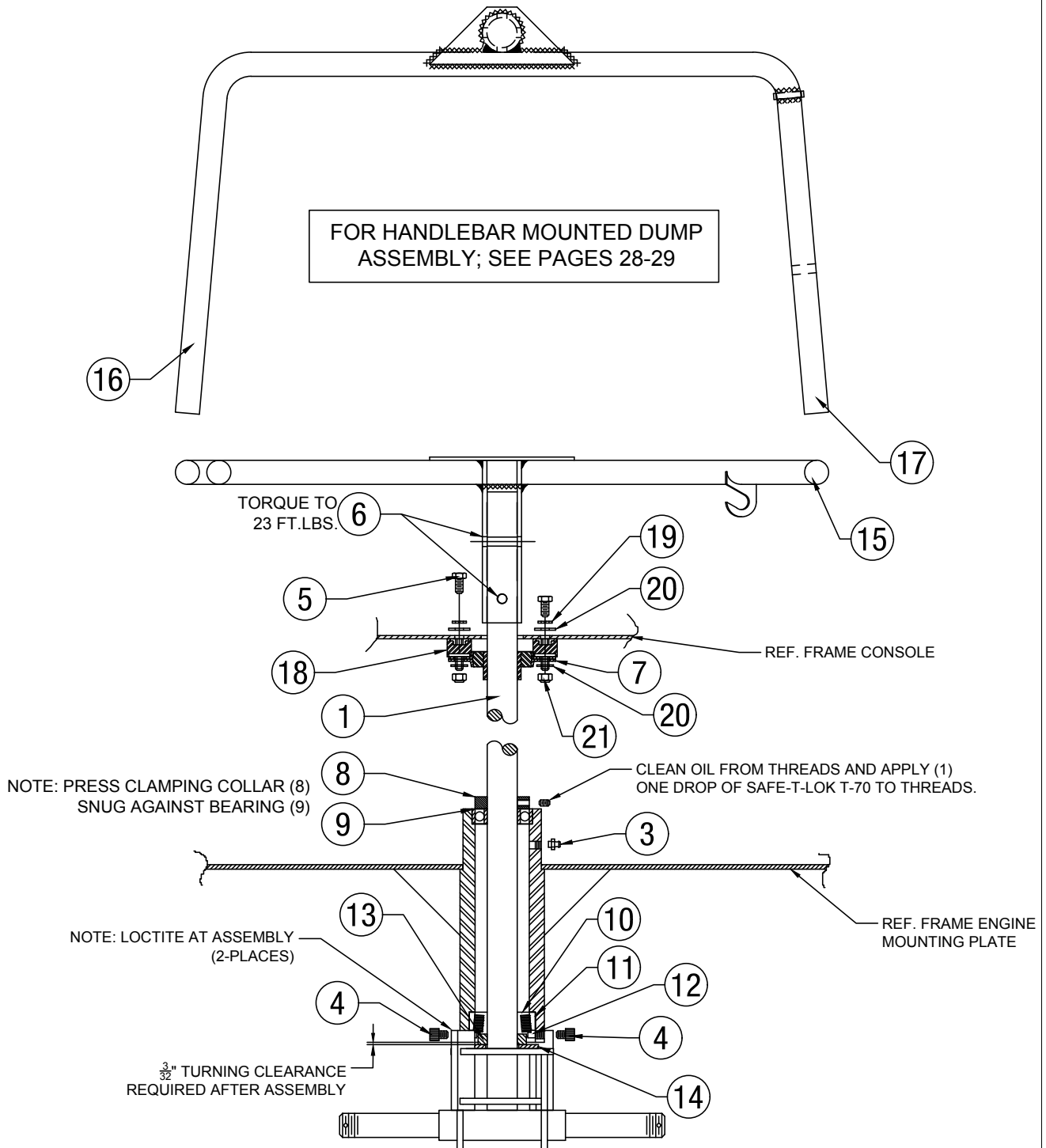
General Arrangement

SECTION 1 PARTS

ITEM	PART#	DESCRIPTION	QTY
1	42100-36	Main Frame	1
2	42100-38	Console	1
3	42108-01	Hydraulic Reservoir Cover	1
4	42126-01	Standard Handle Bar Less Grips	1
5	42102-07	LH Handle Bar Grip	1
6	42102-08	RH Handle Bar Grip with Trimmed Flange	1
7	069757	Engine, 14 HP, Kohler CH440, Gasoline, Recoil Start	1
	061342	Engine, 14 HP, Kohler CH440, Gasoline, Electric Start	1
	-	Engine, 14 HP, Kohler CH440TF, Propane, Electric Start	1
	069462	Engine, 20.5 HP, Kohler CH640, Electric Start	1
8	42115-01	Operator's Platform	1
9	42106-03	16 ft ³ Polyurethane Bucket- AR16	1
	42122-01	21 ft ³ Polyurethane Bucket - AR21	1
10	45049-25	Pushbutton, E-Stop for RECOIL START - 1 NO Contact (for machines built AFTER Serial #G-16595) [see Page 101 for more detail]	1
	45043-04	Pushbutton, E-Stop for ELECTRIC START - 1 NO & 1 NC Contacts (for machines built AFTER Serial #G-16595) [see Page 102 & 106 for more detail]	1
11	42117-02	Dump Lever	1
12	MS2100	Ball Knob	1
13	42117-17	Foot Operated Dump Pedal	1
14	42103-65	Handle for Directional Control Valve	1
15	42101-71	Parking Brake Knob	1
16	42107-25	Speed Control Lever	1
17	42126-18	Handlebar Mounted Bucket Dump Handle	1
18	42126-21	Knob for Handlebar Mounted Dump	1
19	FI0350	Cap, Breather (for Hydraulic Tank, with Dipstick)	1
20	42113-20	Foam Filled Drive Tire with Wheel	4
	42113-06	Pneumatic Drive Tire with Wheel	4
21	074589	Foam Filled Steering Tire with Wheel	2
	074588	Pneumatic Steering Tire with Wheel	2
22	42101-44	Brake Pedal	1
23	42110-02	Bucket Base Plate AR16	1
	063321	Bucket Base Plate AR21	1
24	42110-11	Pivot Pin for Bucket Base Plate	1
25	42110-16	Clamp Collar for Bucket Base Plate	1

SECTION 1 PARTS

Steering Column Assembly



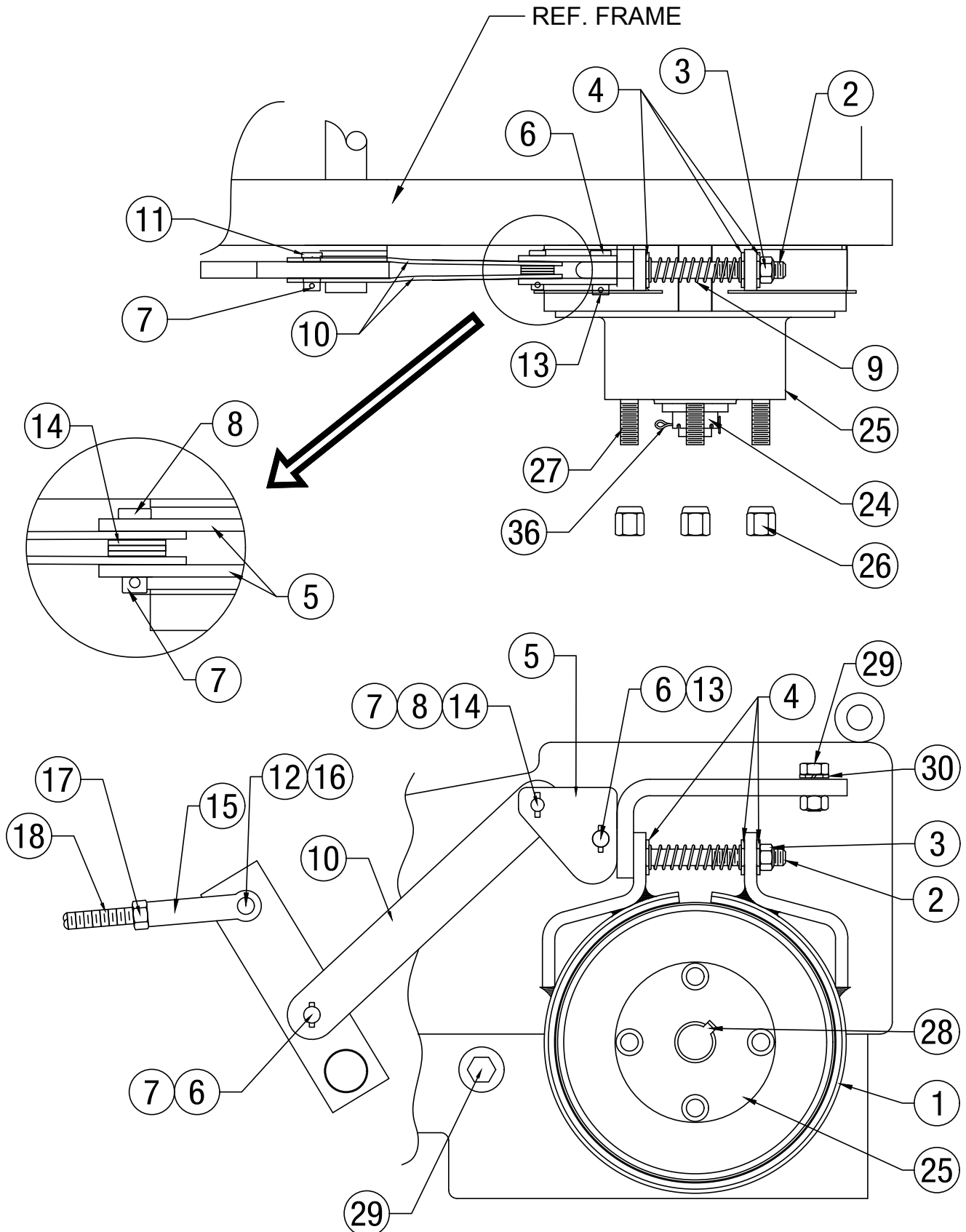
Steering Column Assembly

SECTION 1 PARTS

ITEM	PART#	DESCRIPTION	QTY
1	32100-01	Steering Column	1
2	-	-	-
3	015681	Fitting, Grease, 90°	1
4	42100-17	Stop Bolt. 5/16"NC Socket Head Cap Screw X 3/8" LG. Grade 8	2
5	010019	Fastener, HHCS, 5/16"-18 x 3/4", Grade 8	2
6	040637	Hex Head Cap Screw. 3/8"NC X 2-1/4"LG. with Lock Nut	2
7	32100-08	Flanged Bearing	1
8	C00100	Clamping Collar	1
9	BE1400	Ball Bearing	1
10	BE1200	Bearing Cone	1
11	BE1300	Bearing Cup	1
12	MS3700	Grease Seal	1
13	32100-15	Spacer	1
14	32100-16	Flat Washer	1
15	42126-01	Handlebar	1
16	42102-07	Handlebar Grip, Untrimmed.	1
17	42102-08	Handlebar Grip, Trimmed.	1
18	32100-21	Stud Mounted Rubber Isolator	2
19	010090	Fastener, Lock Washer, 5/16", Grade 8	2
20	010082	Fastener, Flat Washer, 5/16", Grade 8	4
21	040004	Fastener, Hex Nut, Stover, 5/16"-18	2
22	42126-09	Washer, Rubber (NOT SHOWN)	1

SECTION 1 PARTS

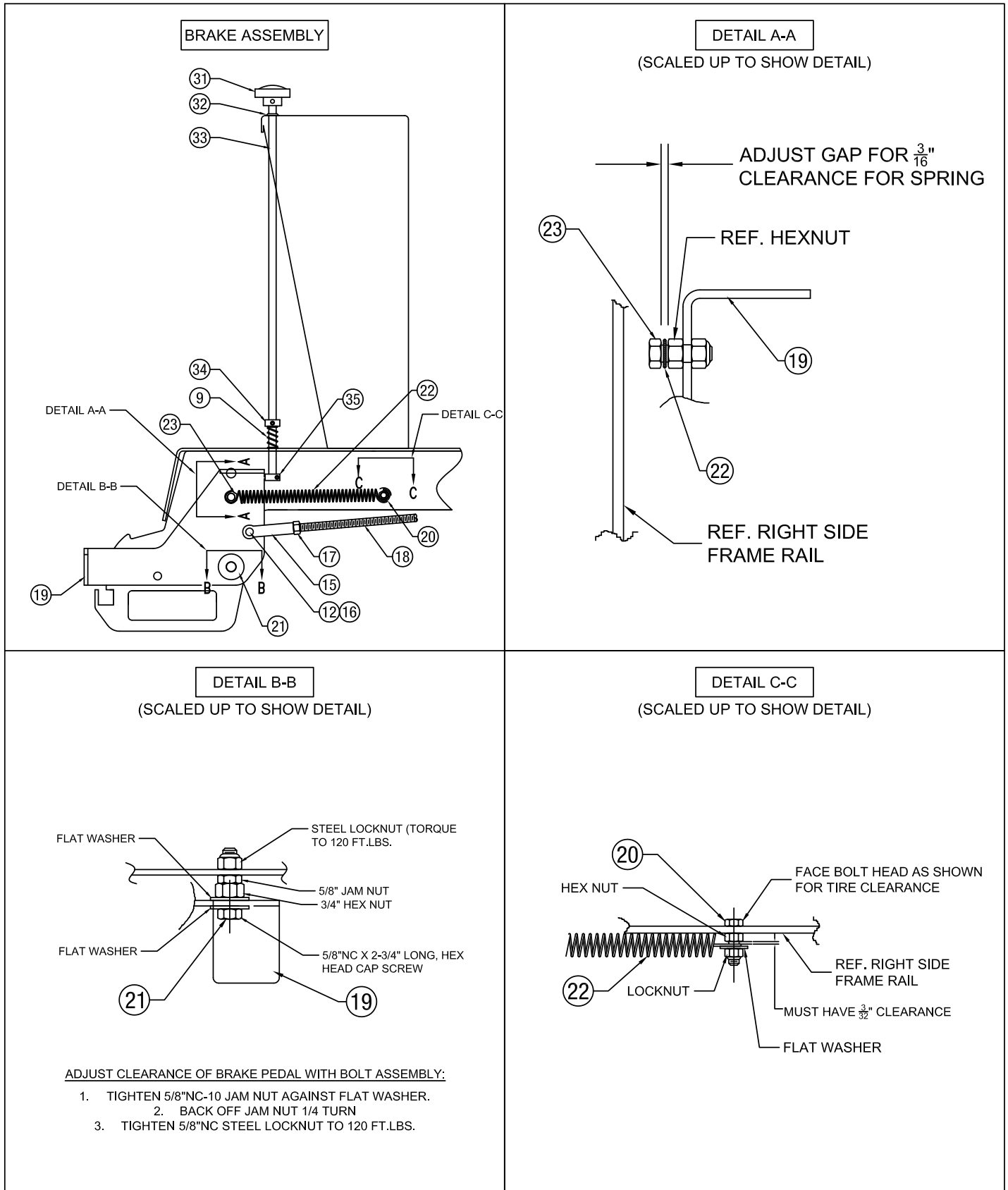
Service & Parking Brake Assembly



Parts List Located on Page 12

Service & Parking Brake Assembly

SECTION 1 PARTS



Parts List Located on Following Page

SECTION 1 PARTS

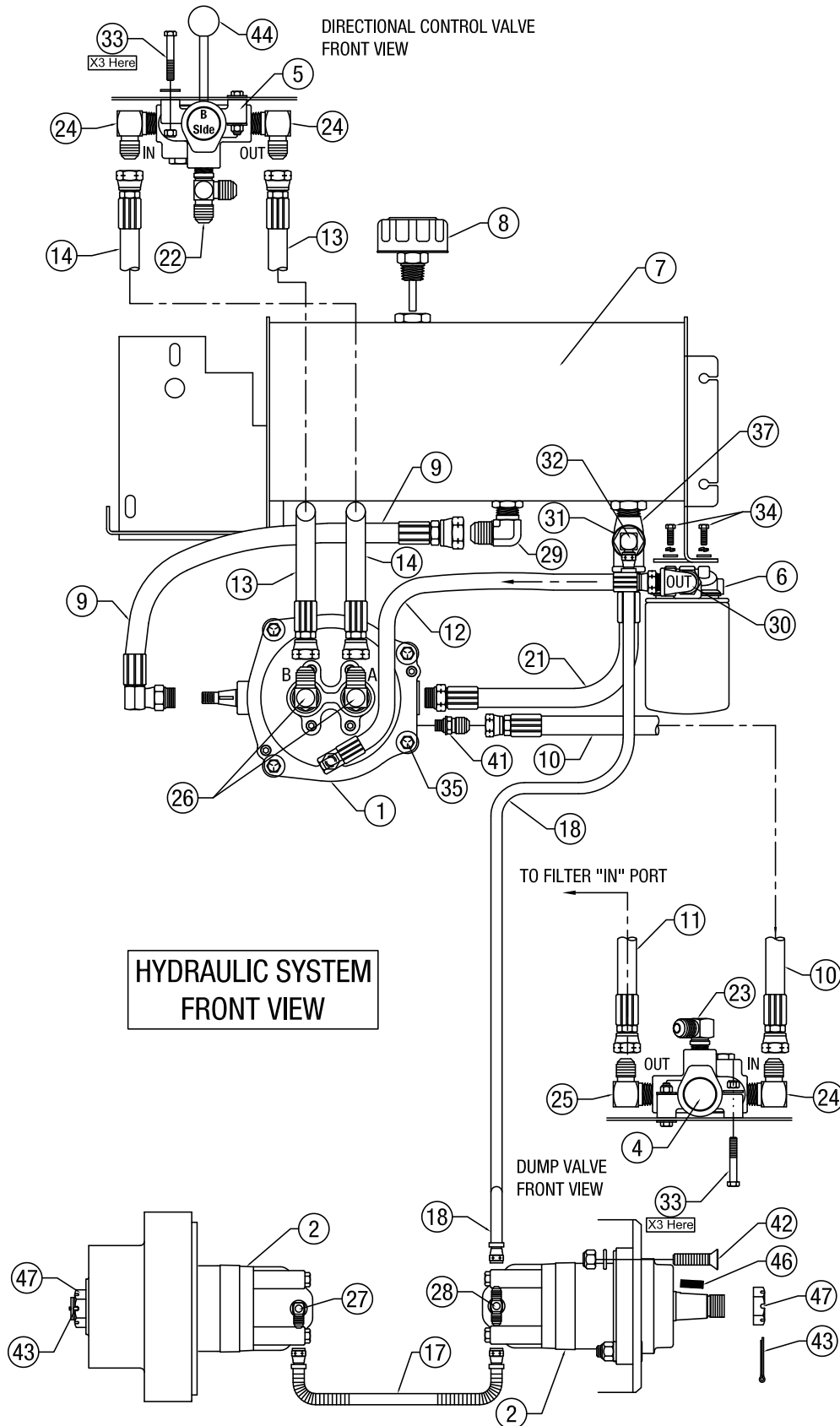
Service & Parking Brake

ITEM	PART#	DESCRIPTION	QTY
1	42101-02	Brake Band	2
2	42101-15	"J" Bolt	2
3	42101-16	1/2" NC-13 Nylock Locknut, Grade 2/IFI-100/107 No Substitutes	2
4	011490	1/2" SAE Plated Flat washer	12
5	42101-18	Brake Cam (replace in matched pairs only)	4
6	42101-19	Case Hardened Clevis Pin x 1-5/16" Overall Length. No Substitutes	4
7	42101-20	5/32" Diameter X 3/4" Lg. Spring Pin. No Substitutes - Do not use cotter pin	4
8	42101-22	Clevis Pin x 1-1/8" Overall Length	2
9	SN0150	Compression Spring	3
10	42101-28	Brake Cam Link Arm	4
11	-	-	-
12	42101-31	1/8" x 3/4" Cotter Pin	2
13	42101-32	3.5mm x 20mm Lg. Spring Pin. No Substitutes. Do not use cotter pin.	2
14	017751	3/8" USS Flat Washer	4
15	MS3900	Adjustable Yoke End	2
16	MS3800	Yoke Pin	2
17	010106	1/2" NC Hex Nut	2
18	42101-38	Brake Rod. Plated. All Thread SAE Grade 2 minimum. No substitutes	1
19	42101-44	Brake Pedal	1
20	42101-46	Bolt Assembly. 3/8" NC-16 x 1-1/2" Lg. HHCS with USS Flat Washer, Lock Nut, and Hex Nut.	1
21	42101-47	Bolt Assembly. 5/8" NC-10 x 2-3/4" Lg. HHCS with 3/4" NC Hex Nut, 5/8" NC-10 Jam Nut, 5/8"NC-10 Steel Lock Nut, two(2) 5/8" SAE Flat Washers.	1
22	42101-48	Spring, Brake Pedal Return	1
23	42101-49	Bolt Assembly. 1/2" NC-13 x 1-1/2"Lg. HHCS with Lock Nut and Hex Nut.	1
24	42103-64	1"-20 Castle Nut for Hydraulic Wheel Motor	2
25	42101-61	Wheel Hub (includes four (4) Wheel studs)	2
26	42113-09	Cone Type Wheel Nut	16
27	42101-63	(REPLACEMENT) Wheel Studs Only for Wheel Hub (4 per Wheel)	8
28	42103-63	(REPLACEMENT) 5/16" Square Key X 1" Long for Wheel Hub (1 per Wheel)	2
29	010068	Fastener, Bolt, HHCS, 1/2"-13 x 1-1/4", Grade 8	4
30	010093	Fastener, Washer, Lock, 1/2", Grade 8	2
31	42101-71	Palm Grip	1
32	42101-72	Grommet	1
33	42101-73	Parking Brake Catch Rod	1
34	42101-74	Set Collar	1
35	42101-75	Clamping Collar	1
36	42103-87	Pin, Cotter, 5/32 x 2"	1

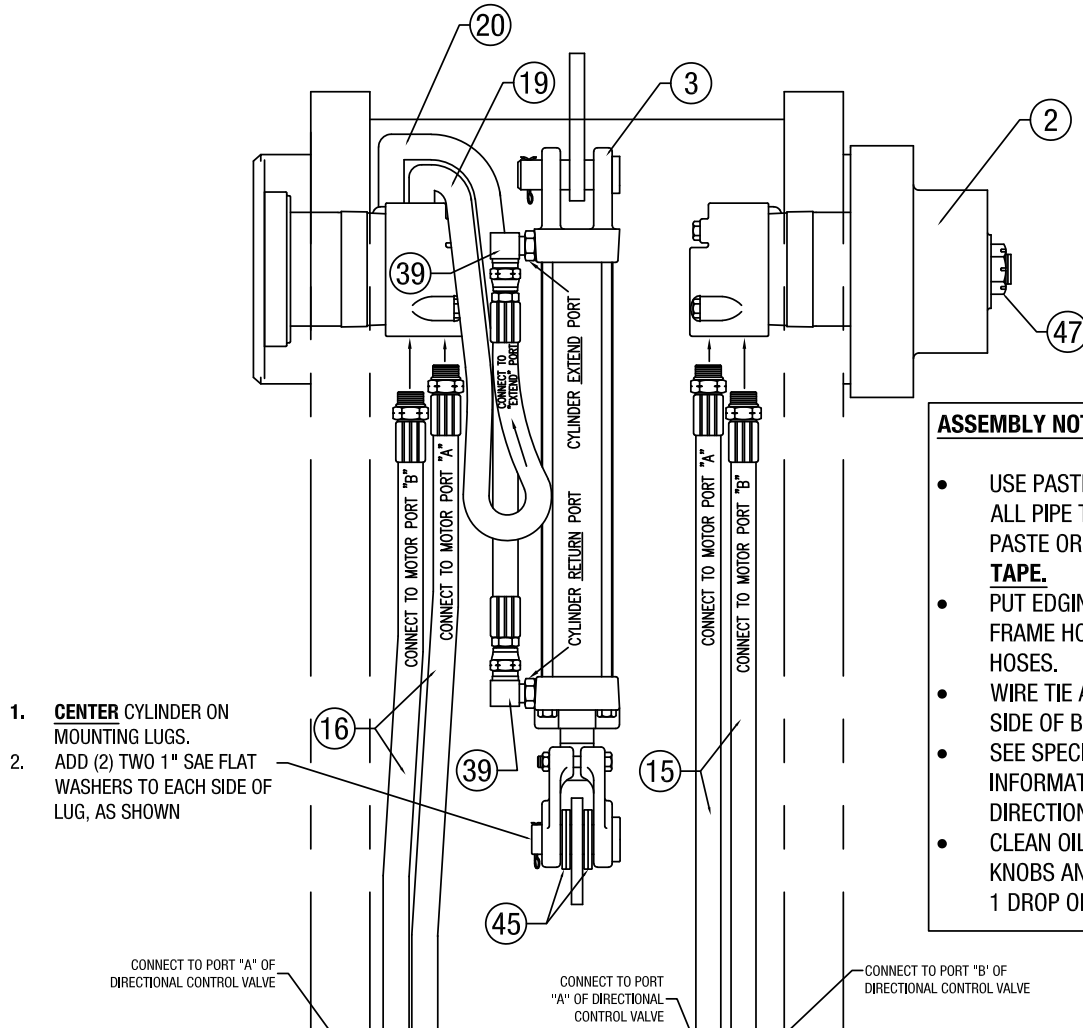
PAGE LEFT BLANK INTENTIONALLY

SECTION 1 PARTS

Hydraulic System



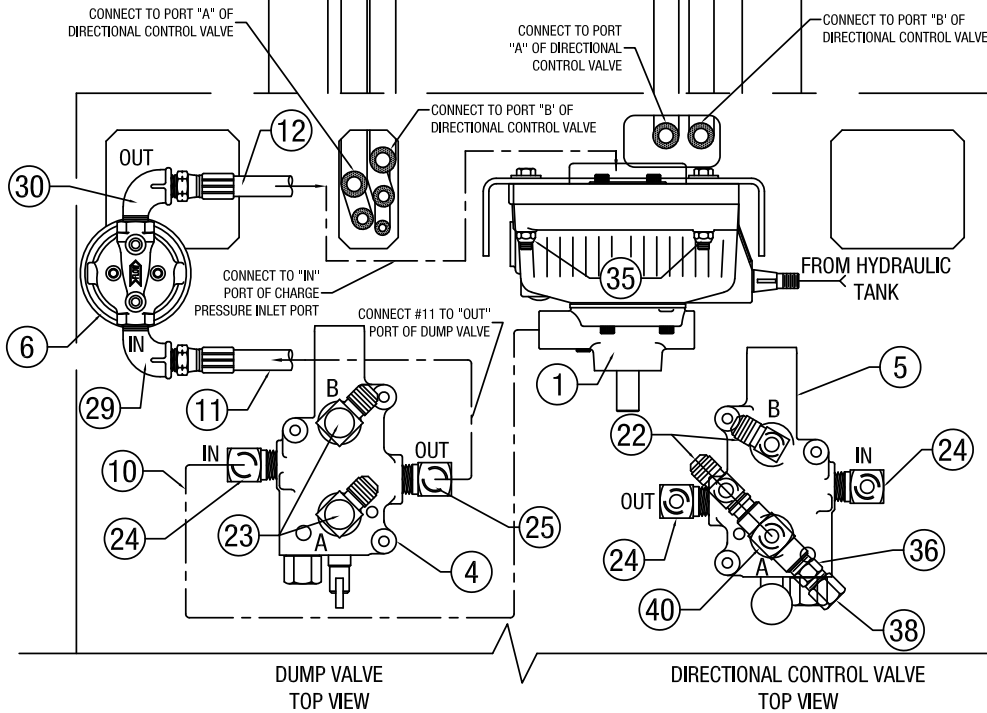
Parts List Located on Page 86 & 87



1. CENTER CYLINDER ON MOUNTING LUGS.
2. ADD (2) TWO 1" SAE FLAT WASHERS TO EACH SIDE OF LUG, AS SHOWN

ASSEMBLY NOTE:

- USE PASTE TYPE DOPE WITH TEFLON ON ALL PIPE THREADS, LA-CO "SLIC-TITE" PASTE OR EQUAL. **DO NOT USE TEFLON TAPE.**
- PUT EDGING MATERIAL AROUND ALL FRAME HOLES BEFORE INSTALLING HOSES.
- WIRE TIE ALL HOSES TOGETHER ON EACH SIDE OF BUGGY, AWAY FROM CYLINDER.
- SEE SPECIAL RELIEF PRESSURE SETTING INFORMATION FOR DUMP AND DIRECTIONAL CONTROL VALVES
- CLEAN OIL FROM THREADS ON BALL KNOBS AND ALL SET SCREWS AND APPLY 1 DROP OF LOCKTITE (592) OR EQUAL.



DUMP VALVE
TOP VIEW

DIRECTIONAL CONTROL VALVE
TOP VIEW

DIRECTIONAL CONTROL VALVE
RIGHT SIDE VIEW

Parts List Located on Following Page

SECTION 1 PARTS

Hydraulic System

ITEM	PART#	DESCRIPTION	QTY
1	HM0500	Hydrostatic Pump	1
2	HM0600	Motor, Wheel, MB16/21 (includes: (1) 5/16" square x 1" long key, (1) Castle Nut, 1" x 20 TPI)	2
3	HM0700	*AT16 MODEL* Cylinder, Hydraulic, 2" Diameter Bore	1
	056815	*AT21 MODEL* Cylinder, Hydraulic, 3" Bore (2T301)	1
4	HM0800	Valve, Dump, MB16/21	1
5	HM0900	Valve, Directional Control	1
6	074436	Filter Assembly, Spin-on with Element - 3 Micron	1
7	42104-01	Hydraulic Reservoir (Tank)	1
8	FI0350	Cap, Breather (for Hydraulic Tank, with Dipstick)	1
9	061055	Hose Assembly, 17" Long, Straight-90°	1
10	HH1700	Hose Assembly, 20" Long	1
11	061061	Hose Assembly, 16" Long	1
12	061060	Hose Assembly, 18" Long, Straight-90°	1
13	HH1900	Hose Assembly, 27" Long	1
14	HH2000	Hose Assembly, 30" Long	1
15	061056	Hose Assembly, 69" Long	2
16	061058	Hose Assembly, 65" Long	2
17	HH2100	Hose Assembly, 18" Long with Spring Guard	1
18	HH2200	Hose Assembly, 54" Long with Spring Guard	1
19	HH2300	Hose Assembly, 72" Long with Spring Guard	1
20	HH2400	Hose Assembly, 66" Long with Spring Guard	1
21	HH2500	Hose Assembly, 18" Long	1
22	FG3800	Fitting, Tee, Male	2
23	FG3900	Fitting, Elbow, Male, 90°	2
24	FG3700	Fitting, Elbow, Male, 90°	3
25	061292	Fitting, Elbow, Male, 90°	1
26	FG4000	Fitting, Elbow, Straight Thread, 90°	2
27	FG4100	Fitting, Elbow, Straight Thread, 90°	1
28	FG4200	Fitting, Tee, Straight Thread	1
29	023414	Fitting, Elbow, 1/2" M x 1/2" F, 90°	2
30	061059	Fitting, Elbow, 90° (F2501-6-8-0)	1
31	42103-44	Bushing, 3/4" x 1/4", Hex Reducer	1
32	FG4300	Fitting, Elbow, Male, 90°	1
33	42103-47	Bolt Assembly ((1) 5/16" NC HHCS x 1-3/4" Long, (1) 5/16" Flat Washer, (1) 5/16-18 Stover Nut)	6
34	42103-48	Bolt Assembly ((1) 1/4" NC HHCS x 3/4" Long, (1) Split Lock Washer, (1) SAE Flat Washer)	2
35	42103-49	Bolt Assembly (1) 3/8"-16 NC HHCS x 2-1/2", (1) 3/8" Flat Washer, (1) 3/8"-16 Nylock Lock Nut)	4
36	42103-50	Fitting, Connector, Male, Straight	1
37	42103-53	Fitting, Tee, Street	1
38	42103-54	Fitting, Cap	1
39	FG3600	Fitting, Elbow, 90°	2

Hydraulic System

SECTION 1 PARTS

ITEM	PART#	DESCRIPTION	QTY
40	42103-56	Fitting, Tee, Male	1
41	42103-59	Fitting, Connector, Straight Thread	1
42	068347	Bolt Assembly, ((1) 1/2" NC Hex Socket Flat Head Cap Screw x 2" Long, (1) split Lock Washer, (1) Nylock Lock Nut)	8
43	42103-87	Pin, Cotter, 5/32" x 2" (for Wheel Motor)	2
44	42103-65	Handle, Directional Valve	1
45	055034	Washer, Flat, 1", GR8	4
46	42103-63	(REPLACEMENT) Key, Wheel Motor, 5/16" square x 1" Long (1 per wheel)	2
47	42103-64	(REPLACEMENT) Nut, Castle, Wheel Motor, 1"-20 Threads per Inch (1 per wheel)	2

DUMP & DIRECTIONAL VALVE ASSEMBLY DETAIL

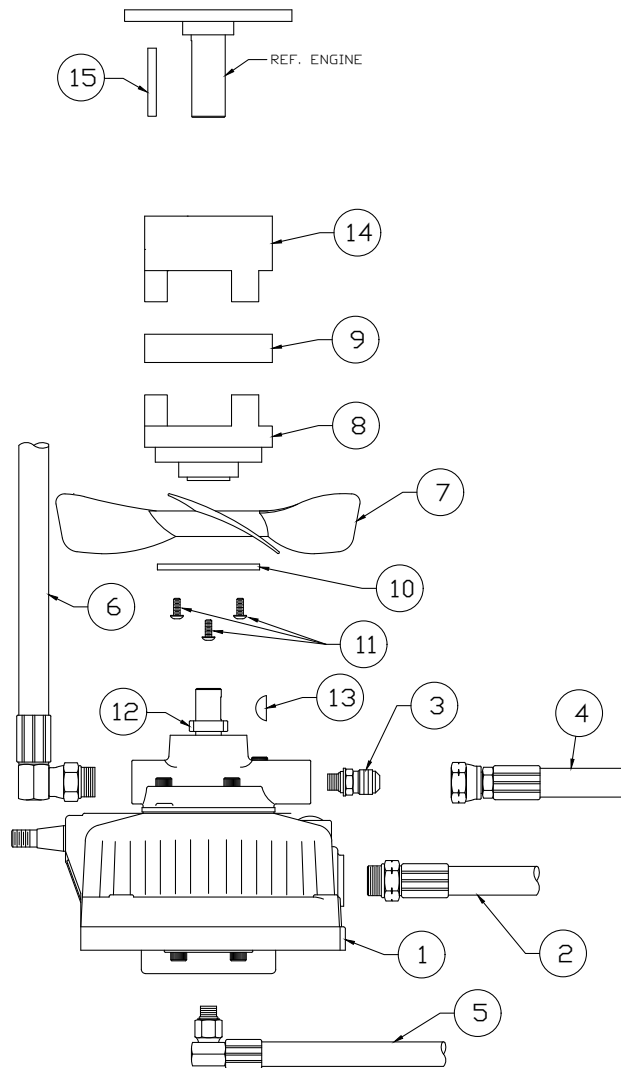
ITEM	PART #	DESCRIPTION	QTY
4A	42103-69	Assembly, Dump Valve, (consists of part #'s 4, 23, 24, 25)	1
5A	42103-76	Assembly, Directional Valve (consists of part #'s 5, 22, 24, 36, 38, 40)	1

REPLACEMENT SEAL KITS

PART#	DESCRIPTION
42103-99	AR16 Lift Cylinder Seal Kit
100135	AR21 Lift Cylinder Seal Kit
42103-85	Directional Control Valve and Dump Valve Seal Kit

SECTION 1 PARTS

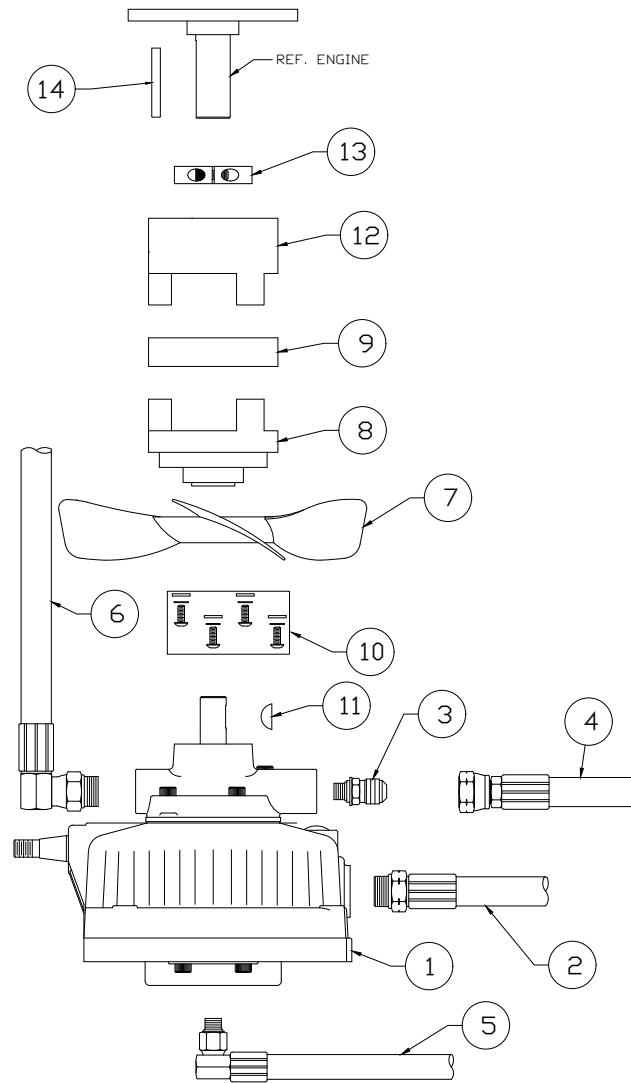
Hydraulic Motor (AW16 Models)



ITEM	PART #	DESCRIPTION (for AR16 Models)	QTY
1	HM0500	Hydrostatic Pump	1
2	HH2500	Hose Assembly, 18" Long, Straight	1
3	42103-59	Connector, Straight Thread "O" Ring	1
4	HH1700	Hose Assembly, 20" Long	1
5	061060	Hose Assembly, 18" Long, 90°-Straight	1
6	061055	Hose Assembly, 17" Long	1
7	42103-07	Fan, Transmission	1
8	42103-08	Coupling, Pump Side, Hydraulic Assembly	1
9	PM0150	Element, Spider Jaw	1
10	42103-10	Washer, Flat	1
11	42103-11	Fastner, FSHCS 1/4"-20 x 3/4"	3
12	056700	Spacer, Shaft, 11/16"	1
13	42103-13	Key, Woodruff, #606 (3/16" x 3/4" Long)	1
14	PM0100	Coupling, Half, 1" Bore, Engine Side	1
15	064393	Key, 1/4 Sq X 1-3/4 High Carbon 109	1

Hydraulic Motor (AW21 Models)

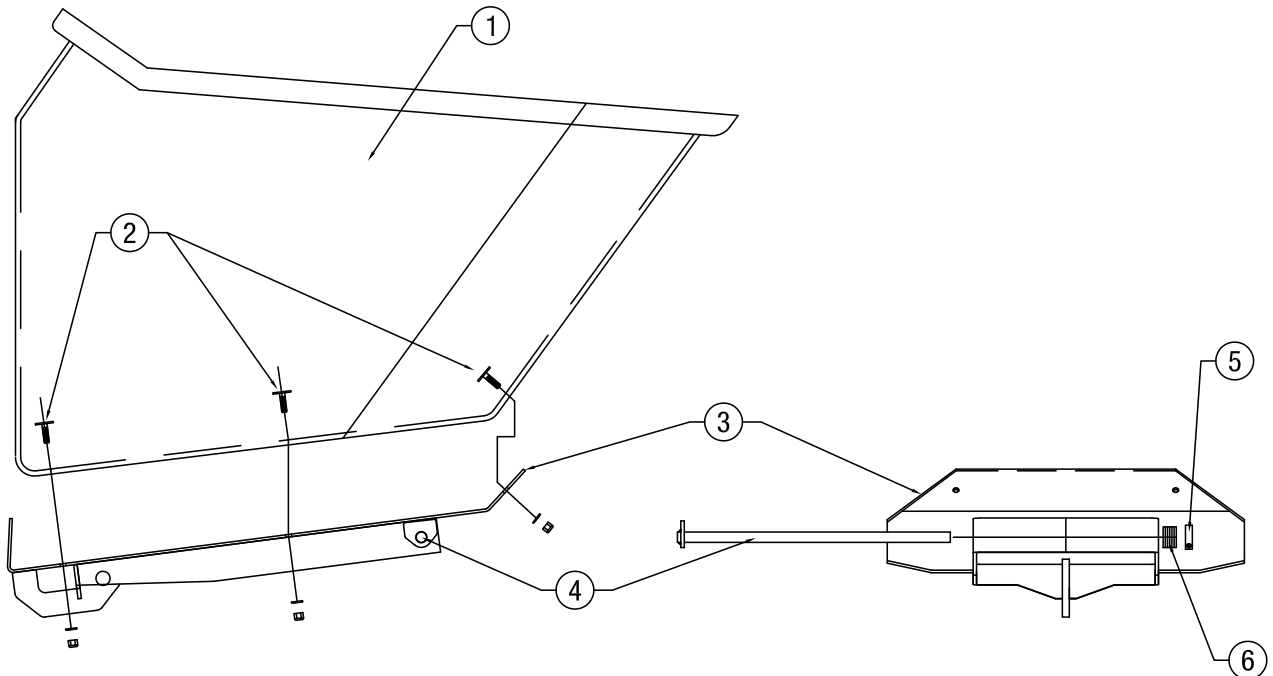
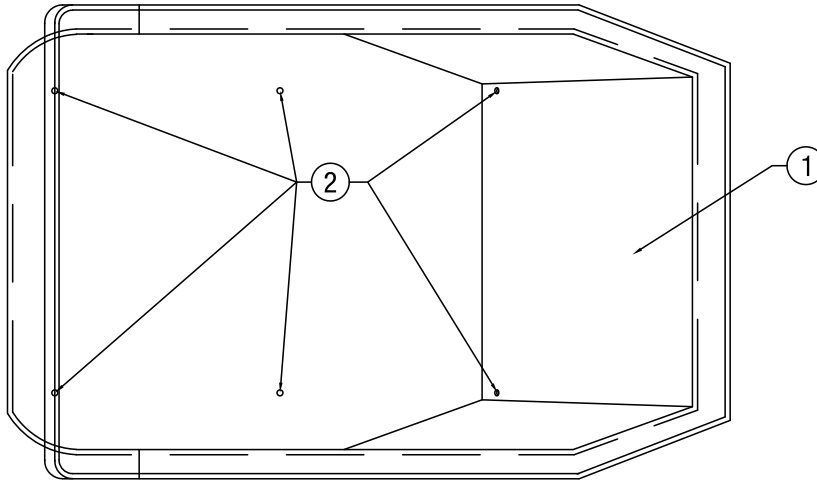
SECTION 1 PARTS



ITEM	PART #	DESCRIPTION (for AR21 Models)	QTY
1	HM0500	Hydrostatic Pump	1
2	HH2500	Hose Assembly, 18" Long, Straight	1
3	42103-59	Connector, Straight Thread "O" Ring	1
4	HH1700	Hose Assembly, 20" Long	1
5	061060	Hose Assembly, 18" Long, 90°-Straight	1
6	061055	Hose Assembly, 17" Long	1
7	42123-01	Fan, Transmission	1
8	42123-05	Coupling, Pump Side, Hydraulic Assembly	1
9	42123-06	Element, Spider Jaw	1
10	42123-03	Bolt Assembly ((4) #10-24 ,HSBHCS, x 1/2" Long, (4) Star Lock Washer, (4) #10 Flat Washer)	1
11	42103-13	Key, Woodruff, #606 (3/16" x 3/4" Long)	1
12	42123-04	Coupling, Half, 1" Bore, Engine Side	1
13	42303-16	Collar, Clamping	1
14	064393	Key, 1/4 Sq X 1-3/4 High Carbon 109	1

SECTION 1 PARTS

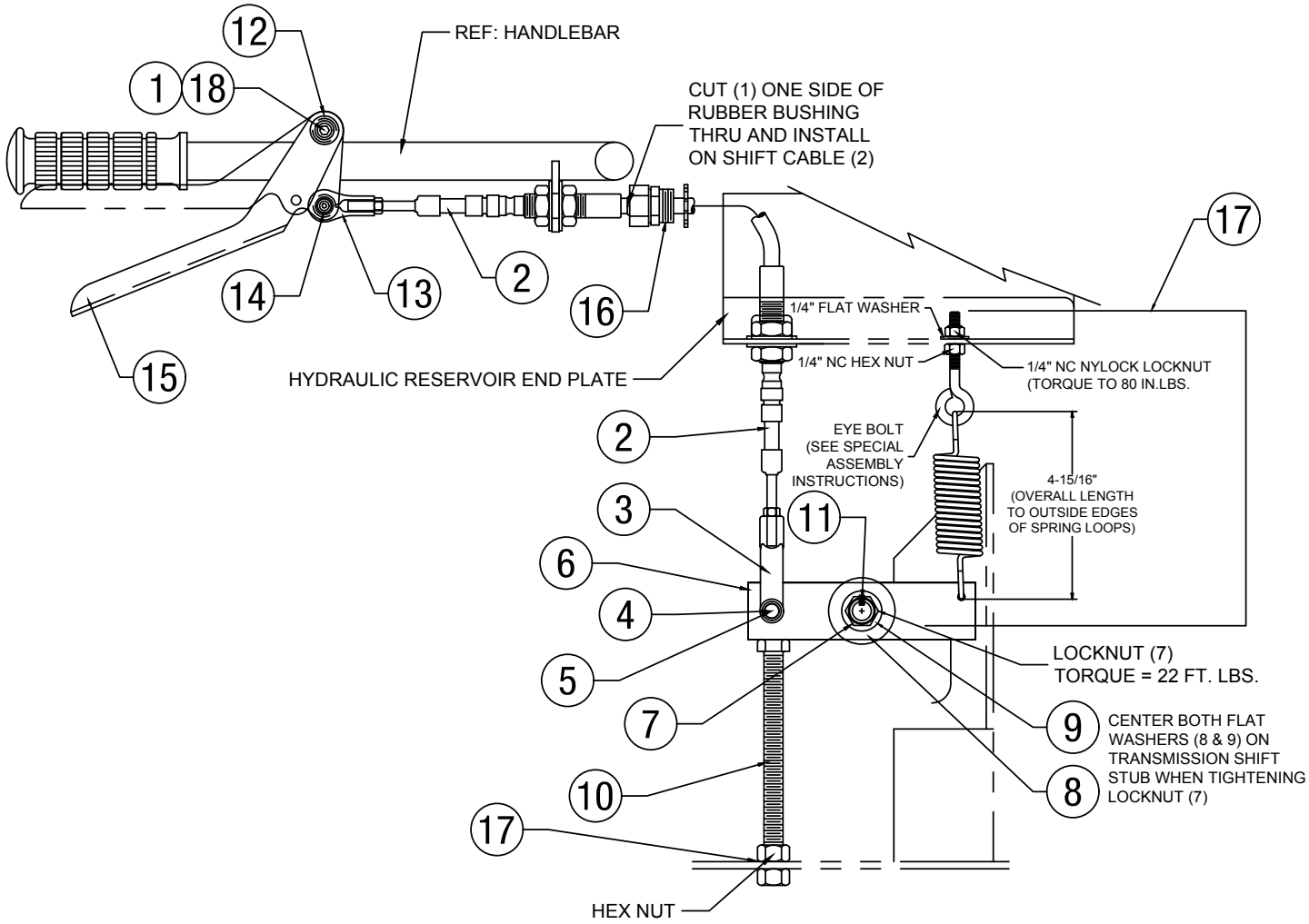
Bucket & Base Assembly



ITEM	PART #	DESCRIPTION	QTY
1	42106-03	AR16 - Polyurethane Bucket - 16 ft ³	1
	42122-01	AR21 - Polyurethane Bucket - 21 ft ³	1
2	42106-02	Polyurethane Bucket - Elevator Bolt Assembly (3/8" NC Elevator Bolt x 1-1/2" Long with 3/8" SAE Flat Washer and 3/8" NC Nylock Locknut)	6
3	42110-02	AR16 - Bucket Base Plate	1
	063321	AR21 - Bucket Base Plate	1
4	42110-11	Pivot Pin	1
5	42110-16	Clamping Collar	1
6	42110-17	Washer, Spacer (3/4" SAE Flat Washer Discontinued 09/08)	6

Travel Speed Control Assembly

SECTION 1 PARTS



SECTION 1 PARTS

Travel Speed Control Assembly

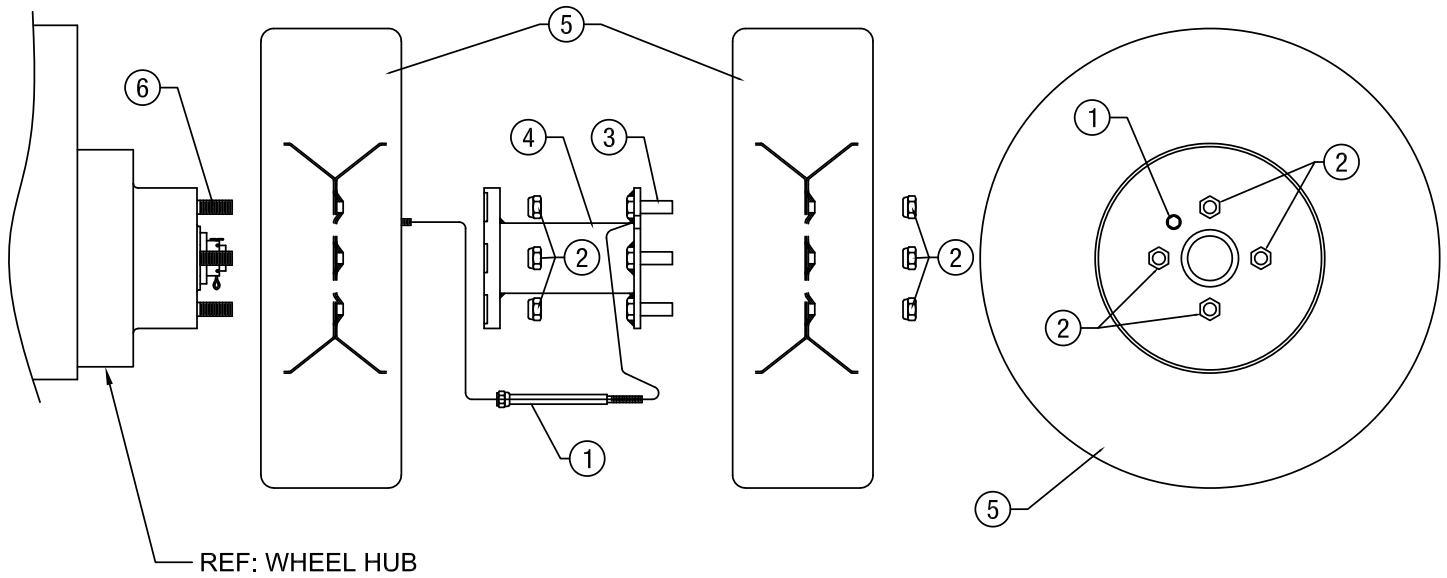
ITEM	PART#	DESCRIPTION	QTY
1	42107-04A	Fastener, Bolt, Shoulder, 3/8" x 1-1/2"	1
2	CT0900	Shift Cable	1
3	MS2500	Adjustable Yoke End	1
4	42107-11	Clevis Pin	1
5	026226	Plated Cotter Pin (3/32" x 3/4")	1
6	42107-13	Transmission Shift Bar	1
7	040208	Fastener, Nut, Stover, 1/2" NC, Steel	1
8	012982	5/ 8" USS Flat Washer	1
9	020085	1/2" SAE Flat Washer	1
10	42107-17	Neutral Stop Bolt With Hex Nut	1
11	42107-21	1/ 8" x 5/8" Woodruff Key	1
12	017751	3/8" SAE Flat Washer	2
13	42107-23	Tie Rod End	1
14	42107-24	Shoulder Bolt with Nylock Lock Nut	1
15	42107-25	Travel Speed Control Lever	1
16	42107-30	Metal Cord Grip	1
17	010093	Fastener, Lock Washer, 1/2"	1
18	012612	Fastener, Nut, Nylock, 5-16"-18	1

ITEM	PART #	DESCRIPTION	QTY
19	42107-27	Extension Spring Repair Kit (Consists of: Extension Spring, 1/4" NC Eye Bolt, 1/4" USS Flat Washer, 1/4" NC Nylock Lock Nut) {See Assembly Note For Important Assembly Information}	1

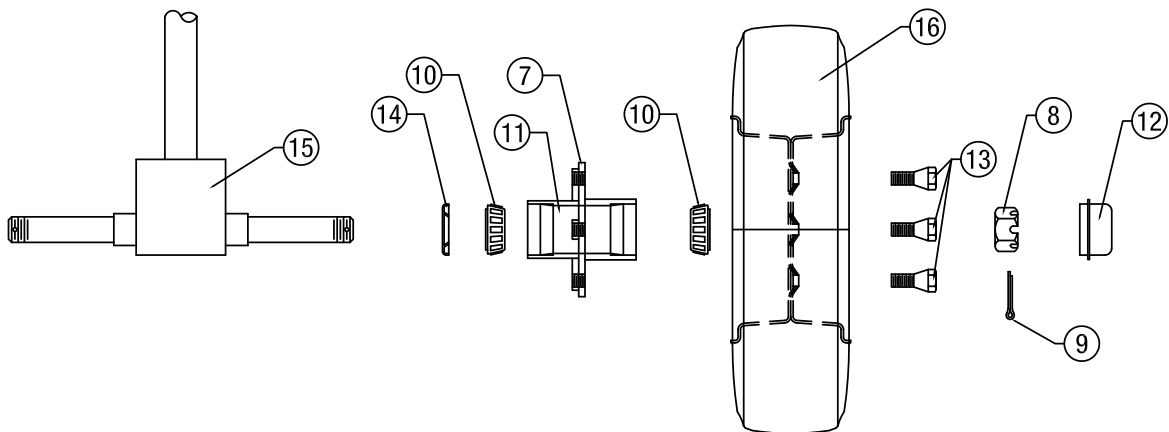
*Assembly Note for Extension Spring Repair Kit:

1. Adjust the Eye Bolt so the length of the Extension Spring is 4-15/16" from the outside edges of the end Spring Loops when the Transmission Shift Bar, item 13, is in the NEUTRAL position (against the Neutral Stop Bolt, item 17) as shown in the assembly drawing.
2. Then turn the Position the "Eye" of the Eye Bolt to line to with the top Spring Loop as shown in the assembly drawing.
3. After completion of steps 1-2, hold the Eye Bolt position and tighten the" NC Nylock Lock Nut to 80 in.lbs

DRIVE / FRONT WHEEL ASSEMBLY



STEERING / REAR WHEEL ASSEMBLY



SECTION 1 PARTS

Wheel Assemblies

DRIVE / FRONT WHEEL ASSEMBLY			
ITEM	PART#	DESCRIPTION	QTY
1	MS4000	Air Valve Extender. Discontinued March, 2002	2
2	42113-09	Cone Wheel Nut.	16
3	046846	Wheel Studs for Wheel Spacer, item 19	8
4	42116-01	Wheel Spacer	2
5	42113-20	Foam Filled Drive Tire and Wheel Assembly	4
6	42101-63	Brake Hub Wheel Studs	8

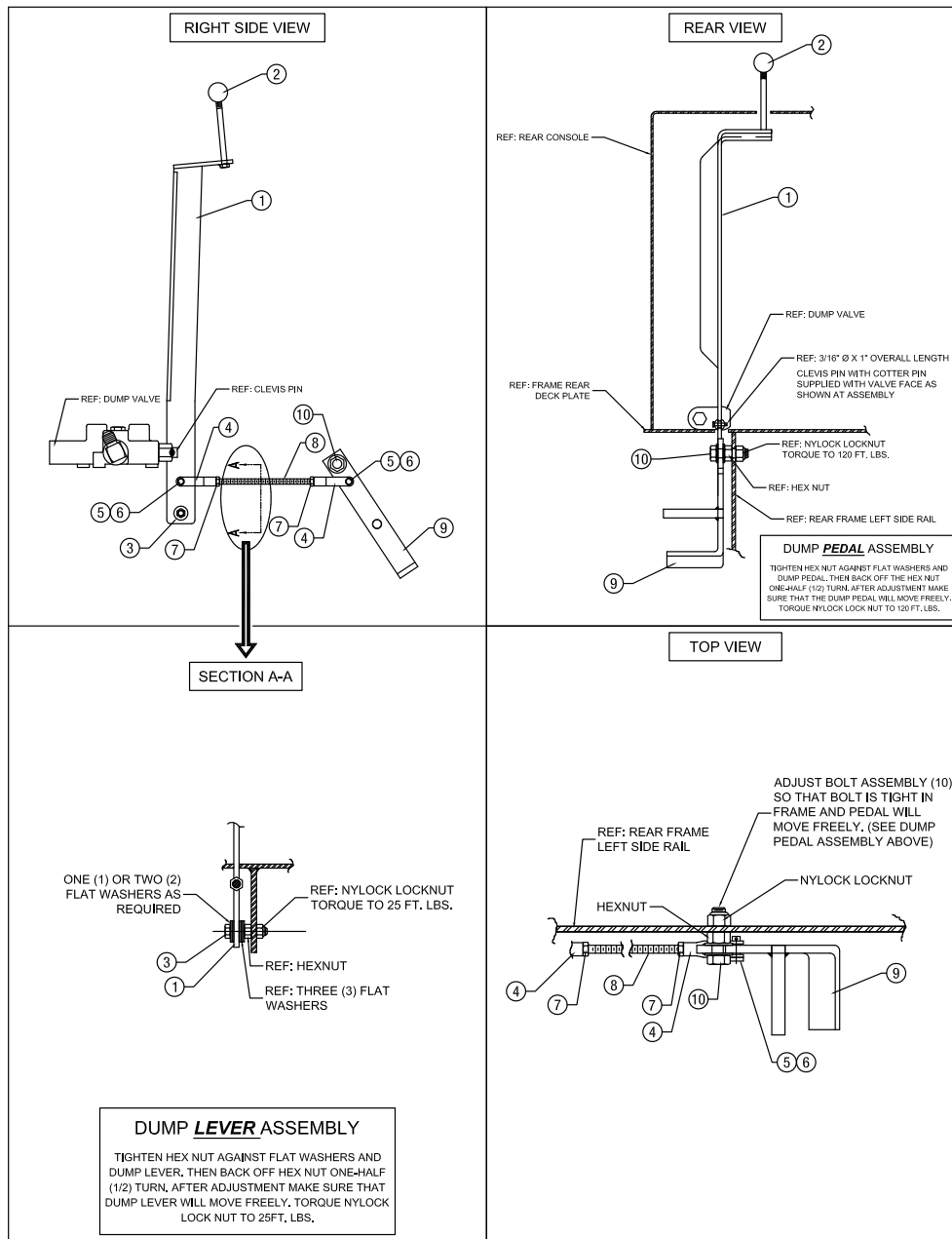
***NOTE:** Part quantities referenced in this table represent quantity needed **PER MACHINE**.

STEERING / REAR WHEEL ASSEMBLY			
ITEM	PART#	DESCRIPTION	QTY
7	42113-03	High Speed Hub Complete with Bearings, Grease Seal and Grease Cap	2
8	42113-04	Castle Nut	2
9	42113-05	Cotter Pin Ws" x 1 Y.")	2
10	42113-12	Roller Bearing Cone	4
11	42113-13	Roller Bearing Cup	4
12	42113-14	Grease Cap	2
13	42113-15	Wheel Bolts	8
14	42113-16	Grease Seal	2
15	32100-01	Steering Column	1
16	074589	Foam Filled Steering Tire and Wheel Assembly	2

***NOTE:** Part quantities referenced in this table represent quantity needed **PER MACHINE**.

Console Mounted Dump Lever Assembly

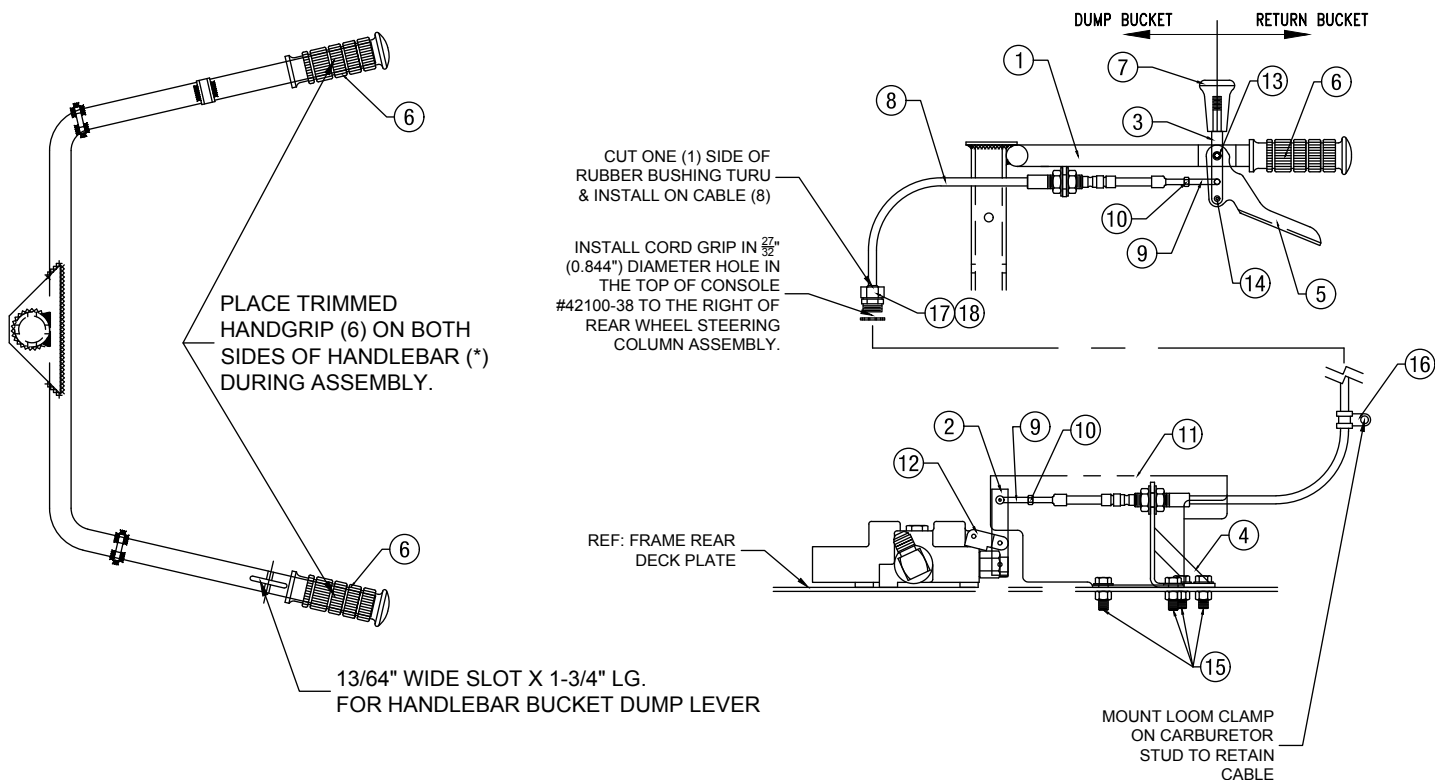
SECTION 1 PARTS



ITEM	PART#	DESCRIPTION	QTY
1	42117-02	Dump Lever	1
2	MS2100	Plastic Ball Knob	1
3	42117-08	Bolt Assembly (3/8" NC X 1-3/4" HHCS with (7) USS Flat Washers, (1) Hex Nut, and (1) Nylock Lock Nut)	1
4	42117-09	Yoke	2
5	42107-11	Clevis Pin	2
6	026226	Cotter Pin. 3/32" x 3/4" Long	2
7	046844	Hex Nut. 3/8" NF-24	2
8	42117-13	Dump Rod	1
9	42117-17	Dump Pedal	1
10	42117-23	Bolt Assembly (5/8" NC x 2-1/4" HHCS with (2) SAE Flat Washers, (1) Hex Nut, and (1) NyLock Lock Nut)	1

SECTION 1 PARTS

Handlebar Mounted Dump Lever Assembly

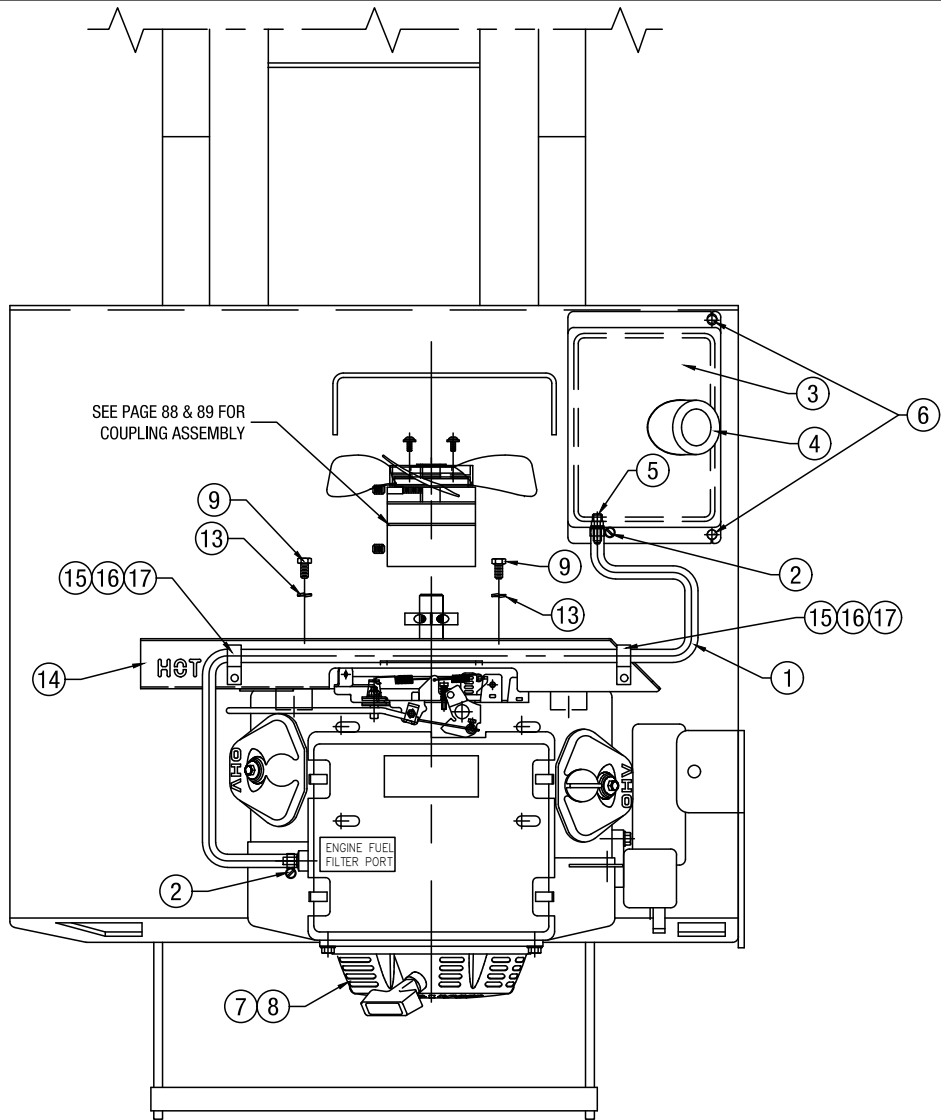


ITEM	PART#	DESCRIPTION	QTY
1	42126-12	Handlebar with Dump Mount	1
2	42126-13	Handlebar Dump Lever	1
3	42126-14	Dump Rod Lever without Knob	1
4	42126-15	Cable Mounting Bracket	1
5	42126-18	Dump Lever Pull Handle	1
6	42102-08	Handlebar Grip, Trimmed	2
7	42126-21	Dump Lever Knob	1
8	42126-22	Dump Cable	1
9	42126-23	Clevis with Pin	2
10	010570	Hex Nut. #10-32 UNF Plated	2
11	42126-25	Dump Cable Cover	1
12	42126-26	Valve Link Bracket Kit	1
13	42126-27	Bolt Assembly. 1/4" NC HHCS x 1-3/4" Long with 2 SAE Flat Washers, Steel Lock Nut	1
14	42126-28	Bolt Assembly. 1/4" NC x 1-X" Long Shoulder Bolt with 10-24 Nylock Lock Nut	1
15	42126-29	Bolt Assembly. 3/8" NC HHCS x 1-1/4" Long with SAE Flat Washer, Steel Crimp Lock Nut.	5
16	40120-27	3/8" I.D. Loom Clamp	1
17	42107-30	Cord Grip, Metal, 0.375 to 0.450 O.D.	1
18	42107-31	Stamped Steel Locknut	1

PAGE LEFT BLANK INTENTIONALLY

SECTION 1 PARTS

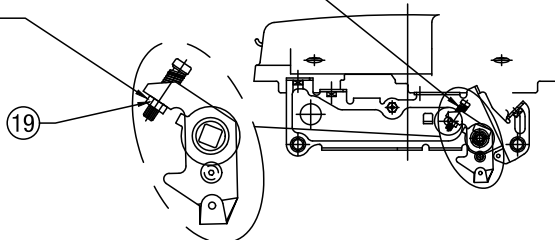
Fuel System for AW21, Kohler 20.5HP Engine (Electric Start)



SPEED CONTROL

MAXIMUM ENGINE SPEED ADJUSTING SCREW
 ADJUST MAXIMUM ENGINE SPEED TO 3300
 +100/-0 RPM UNDER NO LOAD.
 TURN CLOCKWISE TO INCREASE SPEED

SECURE SCREW WITH
 NUT (19) AS SHOWN



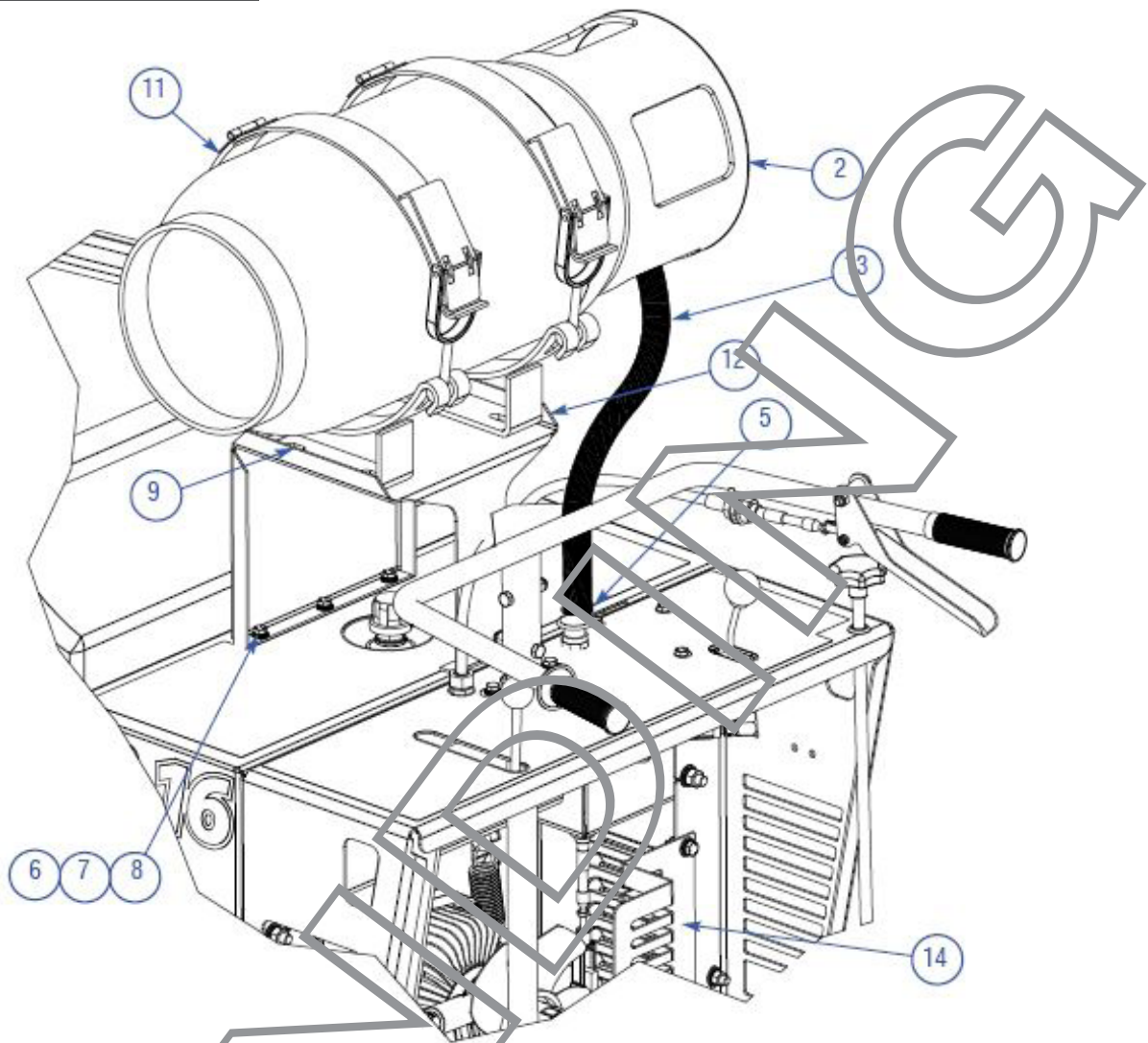
Fuel System for AW21, Kohler 20.5HP Engine (Electric Start)

SECTION 1 PARTS

ITEM	PART#	DESCRIPTION	QTY
1	039155	Hose, 1/4" Fuel Line	4.10 ft
2	019430	Fitting, Clamp, Hose, Mini, Size 4	2
3	42123-10	Fuel Tank	1
4	42123-18	Fuel Cap	1
5	42123-22	Barbed Connector Fitting. Brass	1
6	42123-22	Bolt Assembly (3/8" NC HHCS x 1" Long with (2) USS Flat Washers and (1) Lock Nut; For # item 9)	2
7	45320-09	20 HP Honda Engine with Electric Start and Recoil Backup (less Muffler Assembly and Oil Filter Extension Kit)	1
8	42124-02	Muffler Assembly for item # 13	1
9	010035	Fastener, Bolt, HHCS, 3/8"-16 x 3/4", Grade 8	4
10	027265	Fastener, Clamp, Hose, #6 (for Breather Vent) [NOT SHOWN]	2
11	055642	Hose, Fuel Line, 7/16" I.D., Low Perm (for Breather Vent) [NOT SHOWN]	2.75 ft
12	010194	Fitting, 3/8" x 1/4", Male, Brass, Barb (for Breather Vent) [NOT SHOWN]	1
13	010091	Fastener, Washer, Lock, 3/8", Grade 8	4
14	42124-46	Heat Shield	1
15	42124-18	Bolt Assembly (1/4" NC HHCS x 1-1/4" Long with Lock Nut)	2
16	42124-19	Pipe Coupling	2
17	40112-68	1/2" Loom Clamp	2
18	32103-02	NOT SHOWN - Bolt Assembly (3/8" NC HHCS x 1-3/4" Long with (2) SAE Flat washer, and (1) Stover Lock Nut For attaching Engine to Buggy Frame)	4
19	45048-05	Fastener, Nut, Hex, M5 x 0.8 (Pre-March 2018)	1
20	020542	Fastener, Nut, 1/4-20, Stover	2

SECTION 1 PARTS

Propane Assembly (Only Available on AW16 Model)



ITEM	PART #	DESCRIPTION	QTY
1	064877	Engine, Honda GX390 Propane (Not Shown)	1
2	064878	Tank, Propane	1
3	064926	Cable, Red (Battery Positive)	1
4	064929	Lug, Boosting	1
5	024629	Grommet, 1 5/8" O.D. X 7/8" I.D.	1
6	010020	FSTN, HHCS 5/16"-18 X 1" - GRD8	4
7	010090	FSTN, LW 5/16" GRD8	4
8	010082	FSTN, FW 5/16" - GR8	4
9	012993	FSTN, Cable 3/8-16" X 1-1/4"	4
10	010464	FSTN, Nut, Nylock 3/8-16"	4
11	064379	KIT, Tank, Mounting Bracket	1
12	064879	Bracket, Propane Tank Mount	1
13	068069	Hose Assembly, Hose Fitting and Cylinder Connector	1
14	32105-02	Guard, Fan for Engine	1
15	066748	Regulator, Propane, T60-390-CERT (NOT SHOWN)	1

AW16-K BUGGY			
ITEM	PART #	DESCRIPTION	QTY
1	070088	KIT, AW16-K BUGGY FILTER	1
1.1	070089	FILTER, AIR, MAIN, KOHLER CH440 (17 083 32-S)	1
1.2	070090	FILTER, AIR, PRE-CLEANER, KOHLER CH440 (17 083 15-S)	1
1.3	052885	FILTER, FUEL F/ AW16-K BUGGY (17 050 23-S)	1
1.4	038937	FILTER, HYDRAULIC POWER UNIT (SF6520)	1

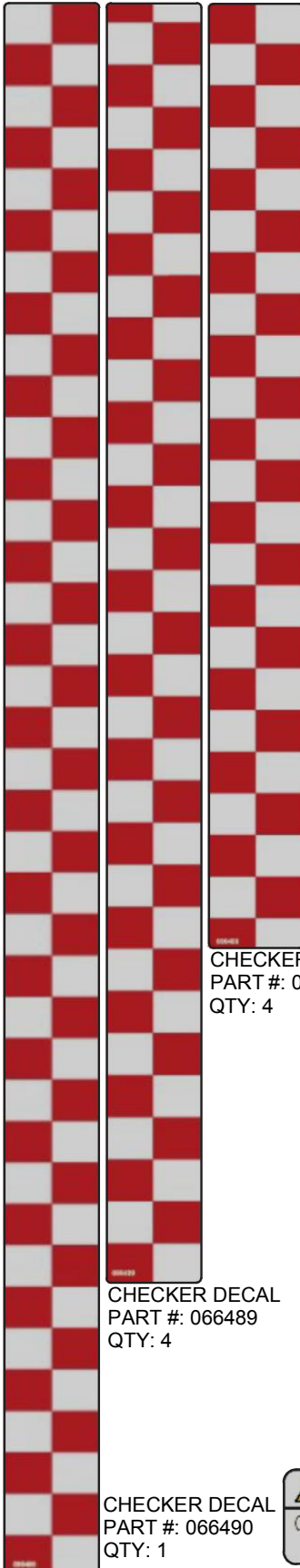
AW16P (Propane)			
ITEM	PART #	DESCRIPTION	QTY
1	066443	KIT, AW16P BUGGY FILTER	1
1.1	066440	FILTER, AIR AW16 BUGGY (17210-ZE3)	1
1.2	038937	FILTER, HYDRAULIC POWER UNIT (SF6520)	1

AW21-K BUGGY			
ITEM	PART #	DESCRIPTION	QTY
1	070091	KIT, AW21-K BUGGY FILTER	1
1.1	070092	FILTER, AIR, MAIN, KOHLER CH640 (24 083 03-S)	1
1.2	070093	FILTER, AIR, PRE-CLEANER, KOHLER CH640 (24 083 05-S)	1
1.3	070094	FILTER, OIL (12 050 01-S)	1
1.4	057993	FILTER, FUEL (24 050 13-S)	1
1.5	038937	FILTER, HYDRAULIC POWER UNIT (SF6520)	1

Section 2 Decals

Decals, AW16-K (Kit #: 070132)

SECTION 2 DECALS

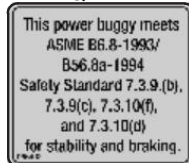


DECAL - ENGINE COOL
PART #: 066491
QTY: 1



DECAL - OWNER'S MANUAL
PART #: 065657
QTY: 1

DECAL - BRAKES ASME
PART #: 066492
QTY: 1



DECAL - ALLEN GLOBE
PART #: 065661
QTY: 2

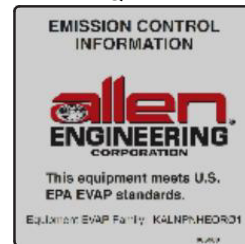


DECAL - PINCH POINT
PART #: 065917
QTY: 4



DECAL - EPA
PART #: 065908
QTY: 1

DECAL - HYDRO PRESSURE
PART #: 070402
QTY: 1



DECAL - REFUELING
PART #: 066487
QTY: 1

CHECKER DECAL
PART #: 066488
QTY: 4

DECAL - FOAM FILLED
PART #: 056303
QTY: 6



DECAL - AEC INFO
PART #: 070586
QTY: 1

DECAL - TIE DOWN
PART #: 068459
QTY: 3



DECAL - PROP 65
PART #: 069225
QTY: 1



CHECKER DECAL
PART #: 066489
QTY: 4

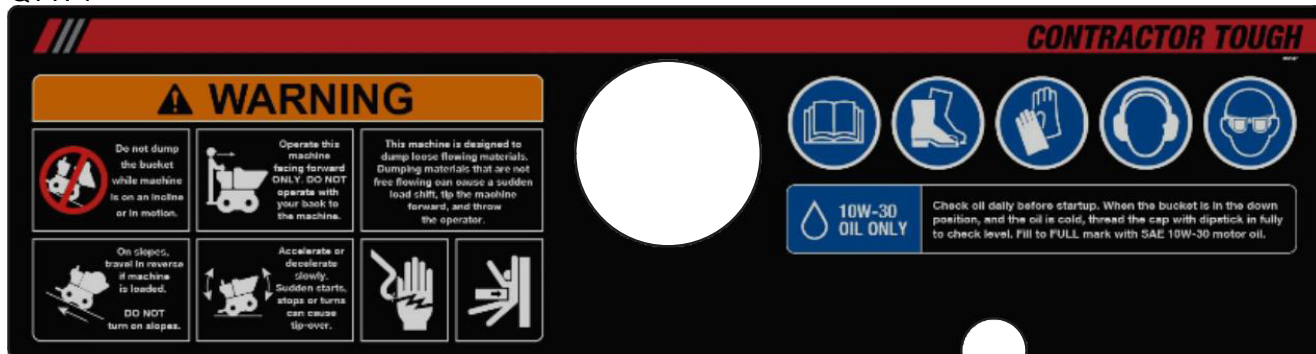
CHECKER DECAL
PART #: 066490
QTY: 1



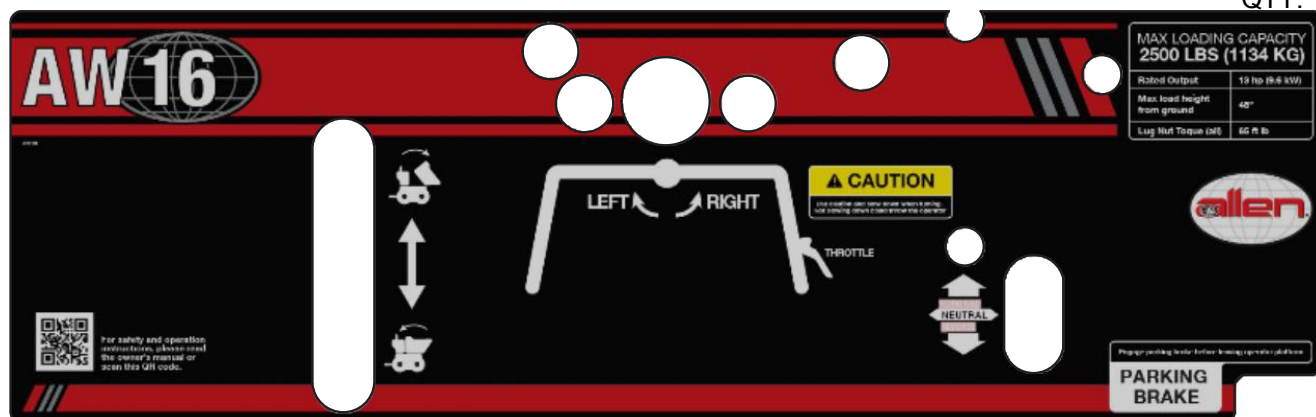
SECTION 2 DECALS

Decals, AW16-K (Kit #: 070132)

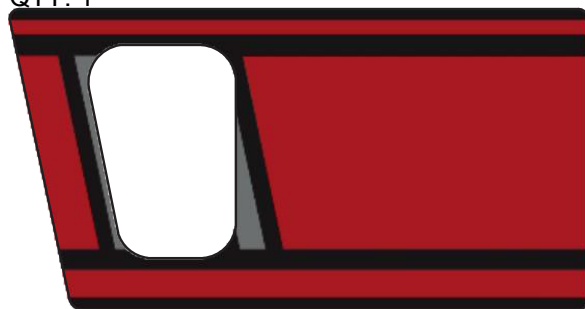
DECAL - TOP PANEL A
PART #: 066517
QTY: 1



DECAL - TOP PANEL B
PART #: 070133
QTY: 1



DECAL - MODEL / RIGHT SIDE
PART #: 070134
QTY: 1



DECAL - MODEL / LEFT SIDE
PART #: 070135
QTY: 1



Decals, AW16P (Kit #: 070136)

SECTION 2 DECALS

DECAL - ALLEN GLOBE
PART #: 065661
QTY: 2



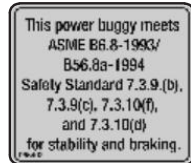
DECAL - OWNER'S
MANUAL
PART #: 065657
QTY: 1



DECAL - ENGINE COOL
PART #: 066491
QTY: 1



DECAL - BRAKES ASME
PART #: 066492
QTY: 1



DECAL - EPA
PART #: 065908
QTY: 1



DECAL - FOAM FILLED
PART #: 056302
QTY: 6



DECAL - PROP 65
PART #: 069225
QTY: 1



DECAL - TIE DOWN
PART #: 068459
QTY: 3



DECAL - PINCH POINT
PART #: 065917
QTY: 4



DECAL - HYDRO PRESSURE
PART #: 070402
QTY: 1



CHECKER DECAL
PART #: 066488
QTY: 4

DECAL - HYDRO PRESSURE
PART #: 070402
QTY: 1



DECAL - AEC INFO
PART #: 070586
QTY: 1



CHECKER DECAL
PART #: 066489
QTY: 4

DECAL - PROPANE FUEL
PART #: 066524
QTY: 1

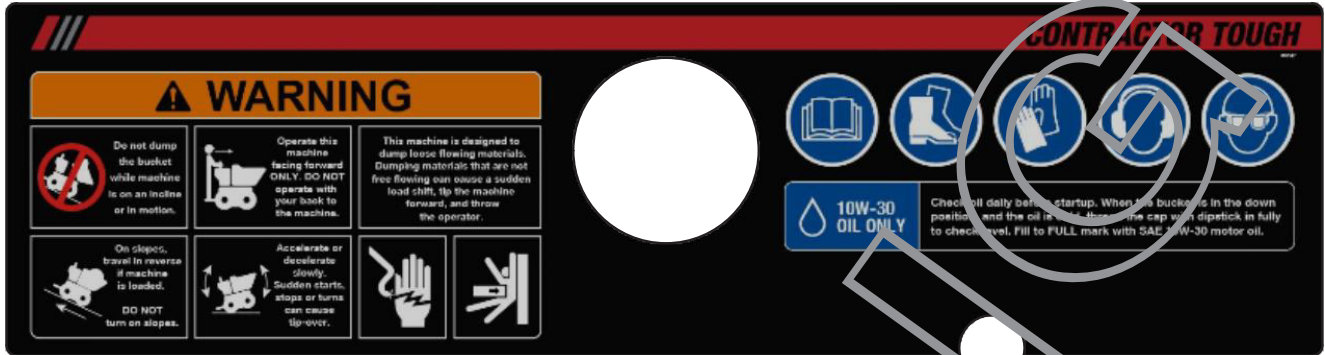
CHECKER DECAL
PART #: 066490
QTY: 1



SECTION 2 DECALS

Decals, AW16P (Kit #: 070136)

DECAL - TOP PANEL A
PART #: 066517
QTY: 1



DECAL - TOP PANEL B
PART #: 070133
QTY: 1



DECAL - MODEL / RIGHT SIDE
PART #: 070138
QTY: 1

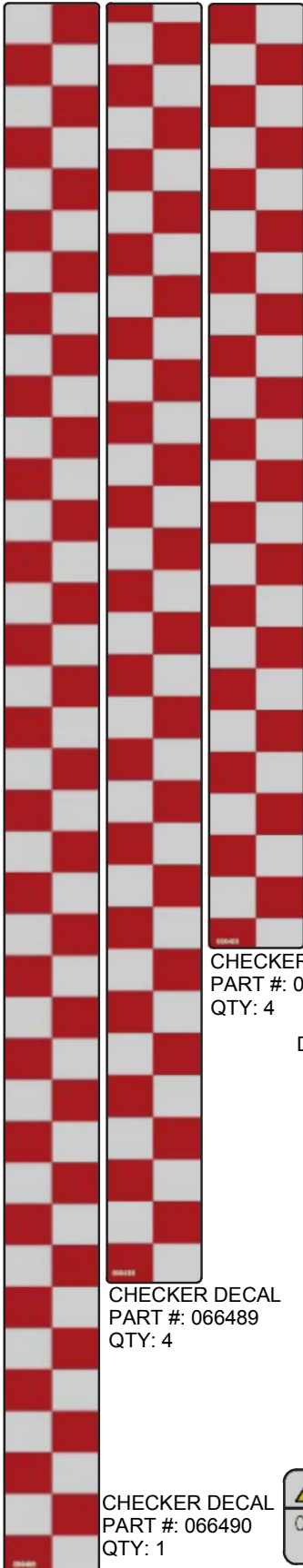


DECAL - MODEL / LEFT SIDE
PART #: 070139
QTY: 1



Decals, AW21-K (Kit #: 070140)

SECTION 2 DECALS

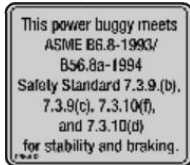


DECAL - ENGINE COOL
PART #: 066491
QTY: 1



DECAL - OWNER'S MANUAL
PART #: 065657
QTY: 1

DECAL - BRAKES ASME
PART #: 066492
QTY: 1



DECAL - ALLEN GLOBE
PART #: 065661
QTY: 2

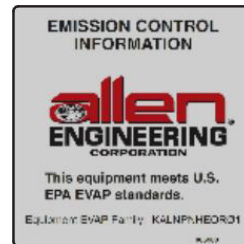


DECAL - PINCH POINT
PART #: 065917
QTY: 4



DECAL - EPA
PART #: 065908
QTY: 1

DECAL - HYDRO PRESSURE
PART #: 070402
QTY: 1



DECAL - REFUELING
PART #: 066487
QTY: 1

CHECKER DECAL
PART #: 066488
QTY: 4

DECAL - FOAM FILLED
PART #: 056303
QTY: 6



DECAL - AEC INFO
PART #: 070586
QTY: 1

DECAL - TIE DOWN
PART #: 068459
QTY: 3

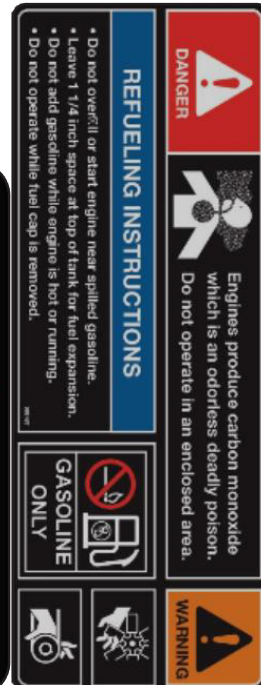


DECAL - PROP 65
PART #: 069225
QTY: 1



CHECKER DECAL
PART #: 066489
QTY: 4

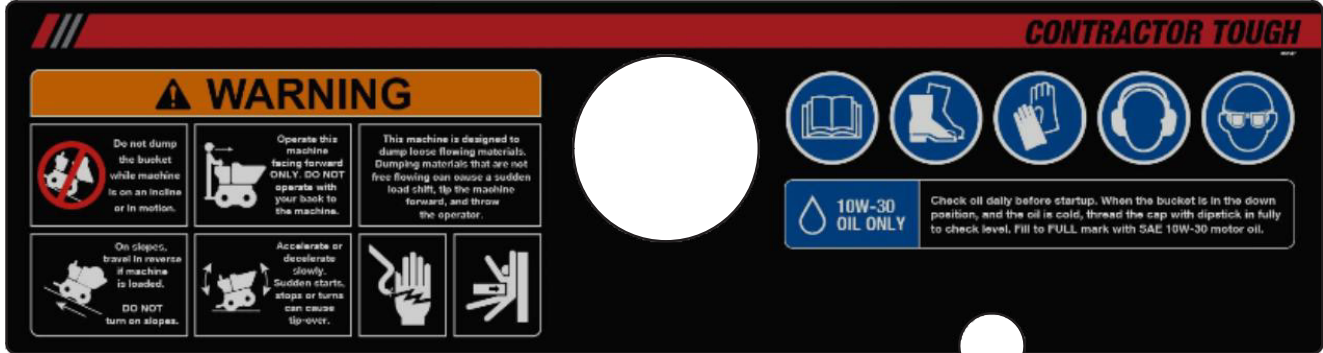
CHECKER DECAL
PART #: 066490
QTY: 1



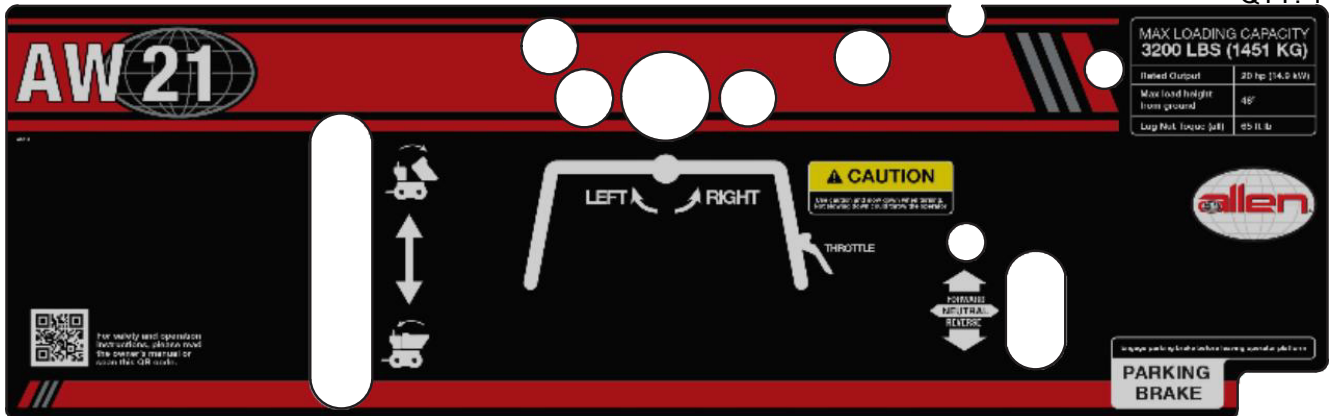
SECTION 2 DECALS

Decals, AW21-K (Kit #: 070140)

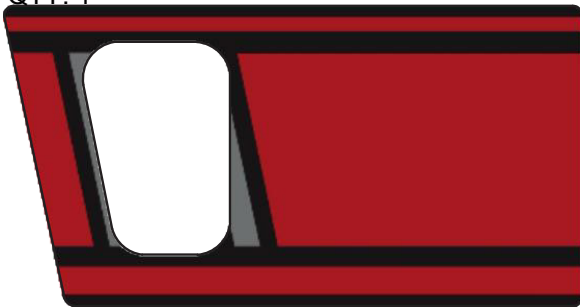
DECAL - TOP PANEL A
PART #: 066517
QTY: 1



DECAL - TOP PANEL B
PART #: 070141
QTY: 1



DECAL - MODEL / RIGHT SIDE
PART #: 070142
QTY: 1



DECAL - MODEL / LEFT SIDE
PART #: 070143
QTY: 1



Revision Detail

MANUAL REVISION DETAIL

REVISION #	REVISION DATE	REVISION REFERENCE #	REVISION BY
-	09/2019	Initial Release	MW
A	06/18/21	ECR 20-681	MJ
B	05/22	Updated Rear Wheel Part Numbers, ECR 21-115	MK

Copyright © 2019 Allen Engineering Corporation
All rights reserved

All information, specifications, and illustrations in this manual are subject to change without notice and are based on the latest information at the time of publication. No part of this manual may be reproduced or transmitted in any form or by any means, electronics or mechanical, for any purpose, without the express written permission of Allen Engineering Corporation (AEC). AEC assumes no responsibility or liability for any errors or inaccuracies that may appear in this manual.

Allen Products are covered under one or more of the following patent numbers:
10,384,704
With other Patents Pending.

Printed in U.S.A.



AEC FACTORY & HEADQUARTERS

819 S. 5TH STREET
PARAGOULD, ARKANSAS 72450
870.236.7751
800.643.0095 (TOLL FREE (USA ONLY))

MAILING

PO BOX 819
PARAGOULD, ARKANSAS 72451

ALLENENG.COM

CONNECT WITH US ON SOCIAL

